



US00D639996S

(12) **United States Design Patent**
Stolte et al.

(10) **Patent No.:** **US D639,996 S**
(45) **Date of Patent:** **** Jun. 14, 2011**

(54) **CEILING-TYPE LIGHTING FIXTURE**

- (75) Inventors: **Brandon A. Stolte**, Lindenhurst, IL (US); **Kevin S Dahlen**, Lindenhurst, IL (US)
- (73) Assignee: **Kenall Manufacturing Co**, Gurnee, IL (US)
- (**) Term: **14 Years**
- (21) Appl. No.: **29/381,860**
- (22) Filed: **Dec. 23, 2010**
- (51) **LOC (9) Cl.** **26-03**
- (52) **U.S. Cl.** **D26/89**
- (58) **Field of Classification Search** D26/72, D26/85, 89, 119, 128; 362/147, 350, 404-408, 362/453-456
See application file for complete search history.

(56) **References Cited**

U.S. PATENT DOCUMENTS

D393,093	S	*	3/1998	Fiorato	D26/85
D443,713	S	*	6/2001	Benensohn	D26/72
D464,164	S	*	10/2002	Thompson	D26/89
D465,599	S	*	11/2002	Thompson	D26/89
D535,051	S	*	1/2007	Stauffer	D26/128
D571,034	S	*	6/2008	Goetz-Schaefer	D26/85
D583,091	S	*	12/2008	Benensohn	D26/89
7,611,264	B1	*	11/2009	Chang et al.	362/249.02
D607,600	S	*	1/2010	Keith	D26/85
D628,738	S	*	12/2010	Chen	D26/89

OTHER PUBLICATIONS

From eurostylelighting.com, visited on Aug. 5, 2010—Murray Feiss Essentail Ceiling light; 2.) Sonneman Vienna Ceiling light; 3.) Forecast satin nickel ceiling light.*
 From eurostylelighting.com, visited on Aug. 5, 2010—Sonneman Vienna polished nickel 17" ceiling light.*
 From eurostylelighting.com, visited on Aug. 5, 2010—Forecast Presto Collection 10" wide ceiling light.*
 From eurostylelighting.com, visited on Aug. 5, 2010—Sonneman Trumpet 21" surface ceiling light and Sonneman Rialto 17" ceiling light.*

* cited by examiner

Primary Examiner — Clare E Heflin

(74) *Attorney, Agent, or Firm* — Lane Patents LLC

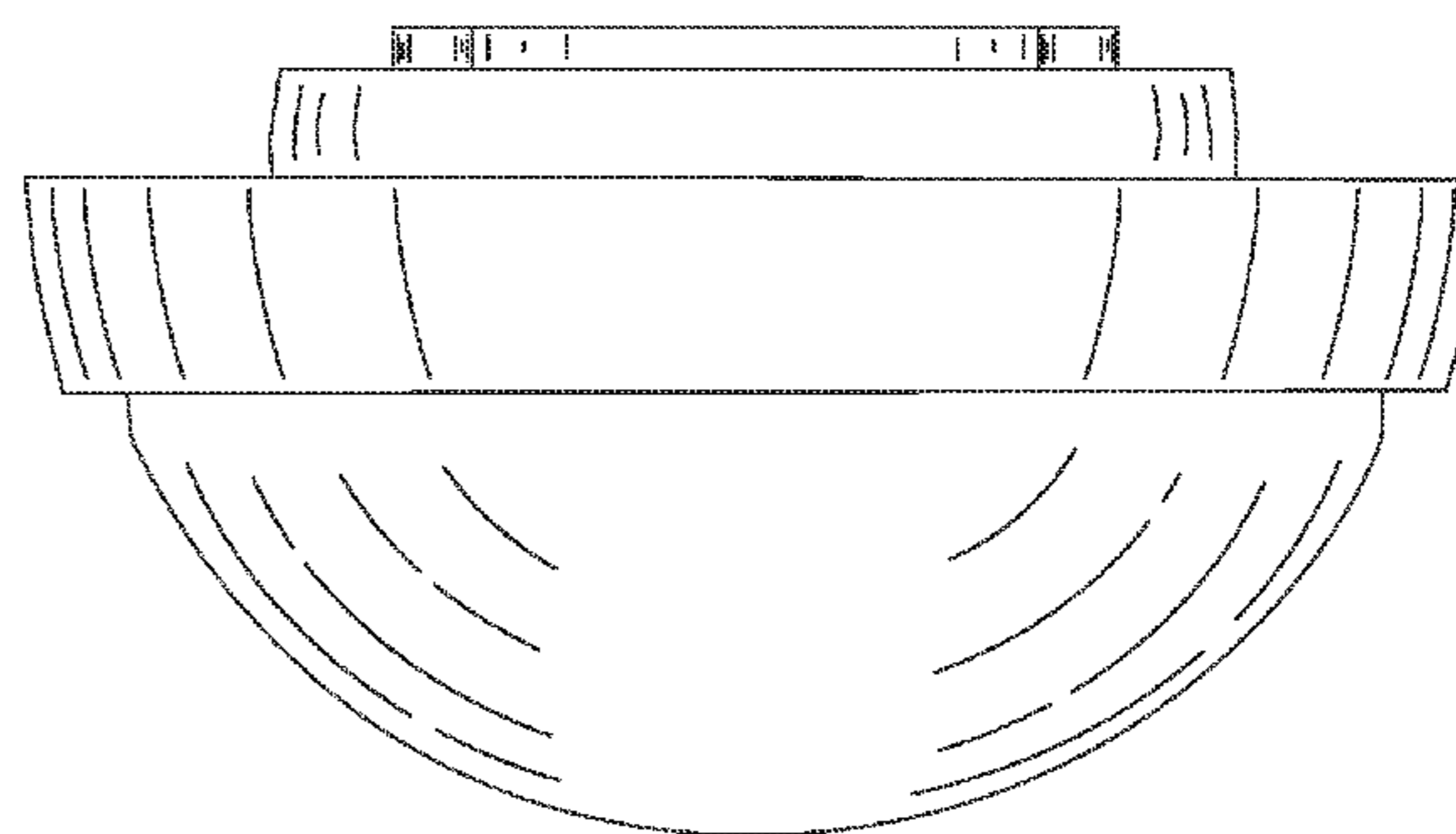
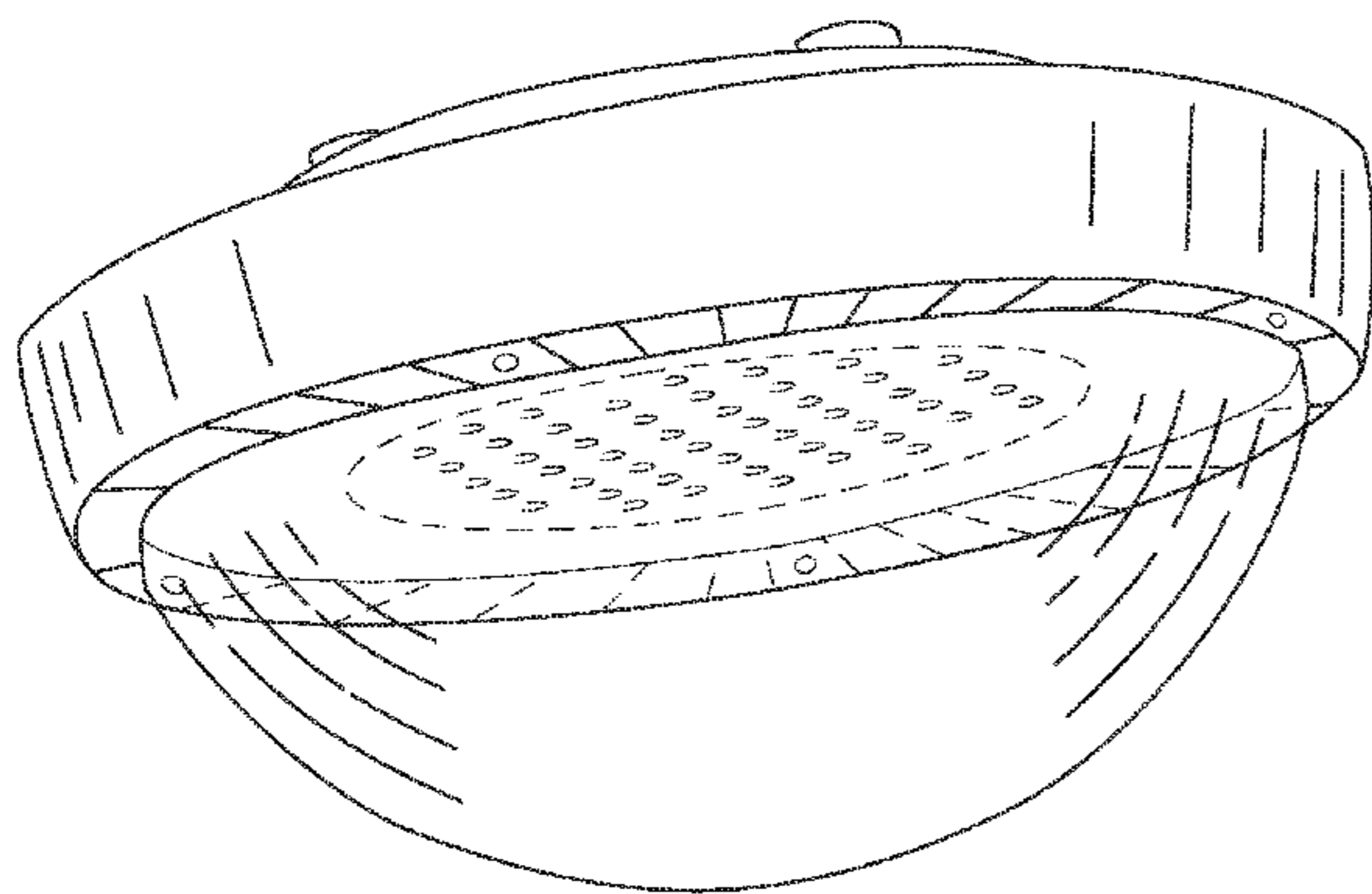
(57) **CLAIM**

The ornamental design for a ceiling-type lighting fixture, as shown and described.

DESCRIPTION

FIG. 1 is a perspective view;
 FIG. 2 is a side view;
 FIG. 3 is a top view; and,
 FIG. 4 is a bottom view.
 The broken lines shown on the drawings are for illustrative purposes only and form no part of the claimed design.

1 Claim, 2 Drawing Sheets



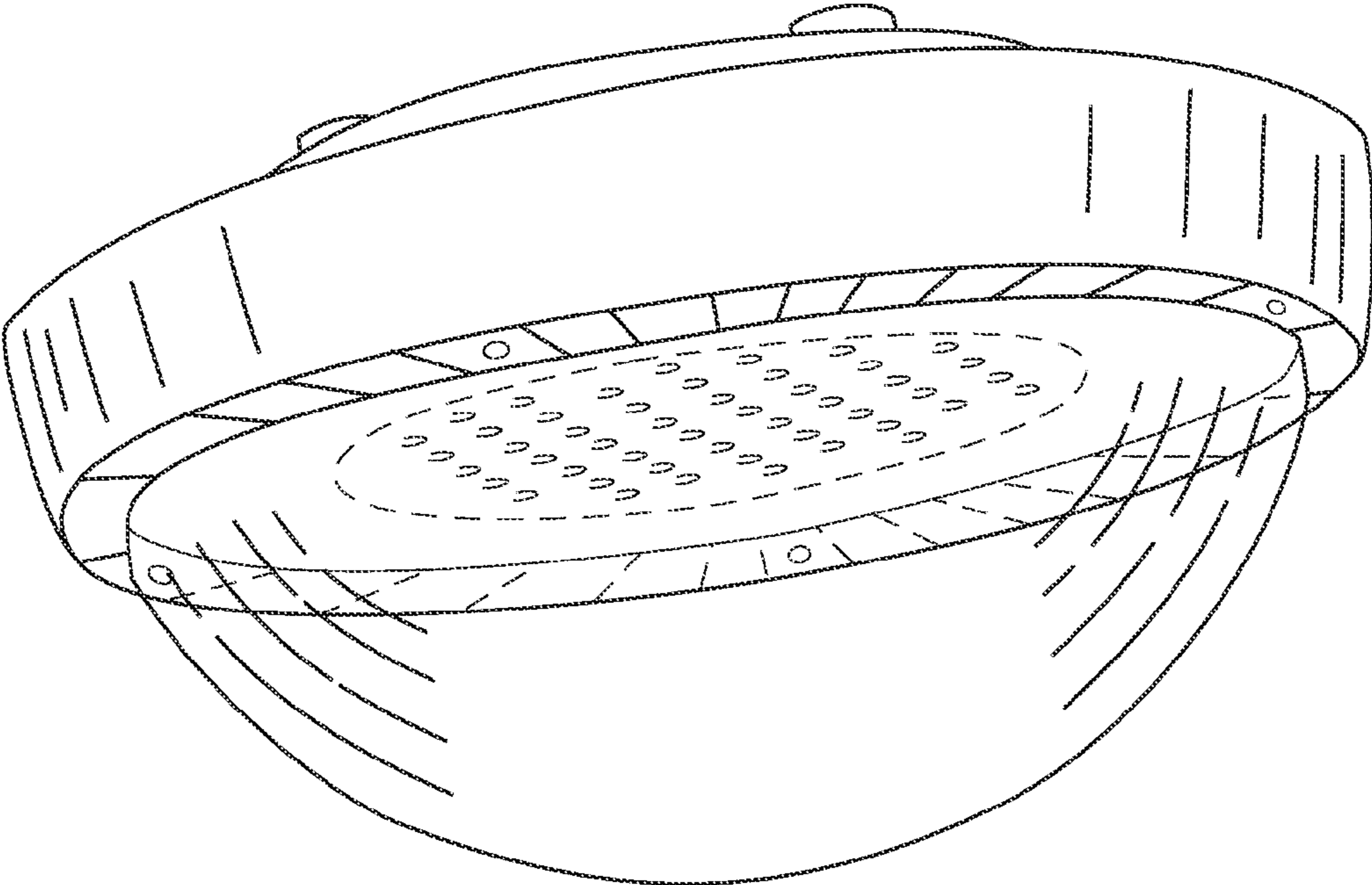


Figure 1

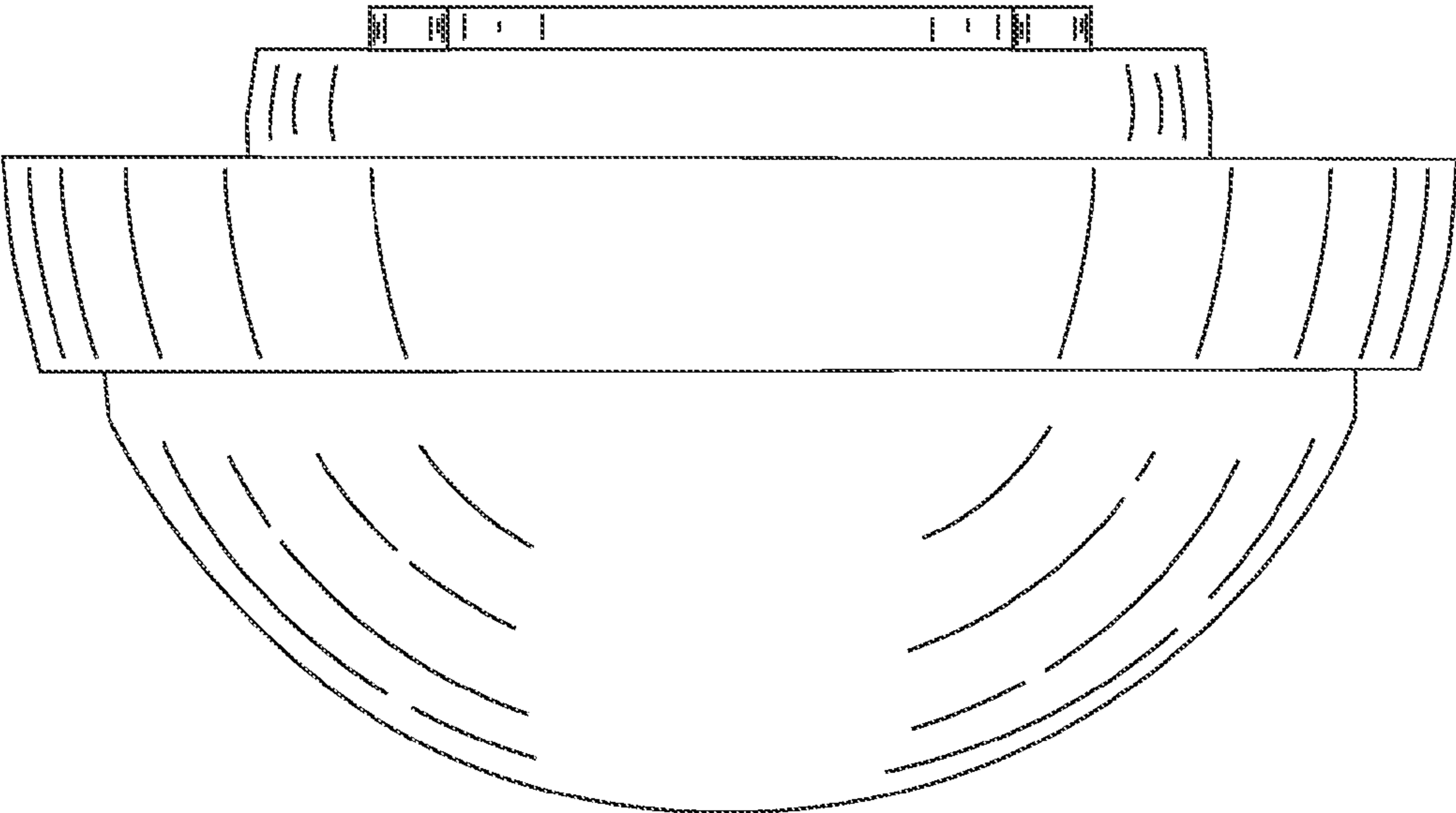


Figure 2

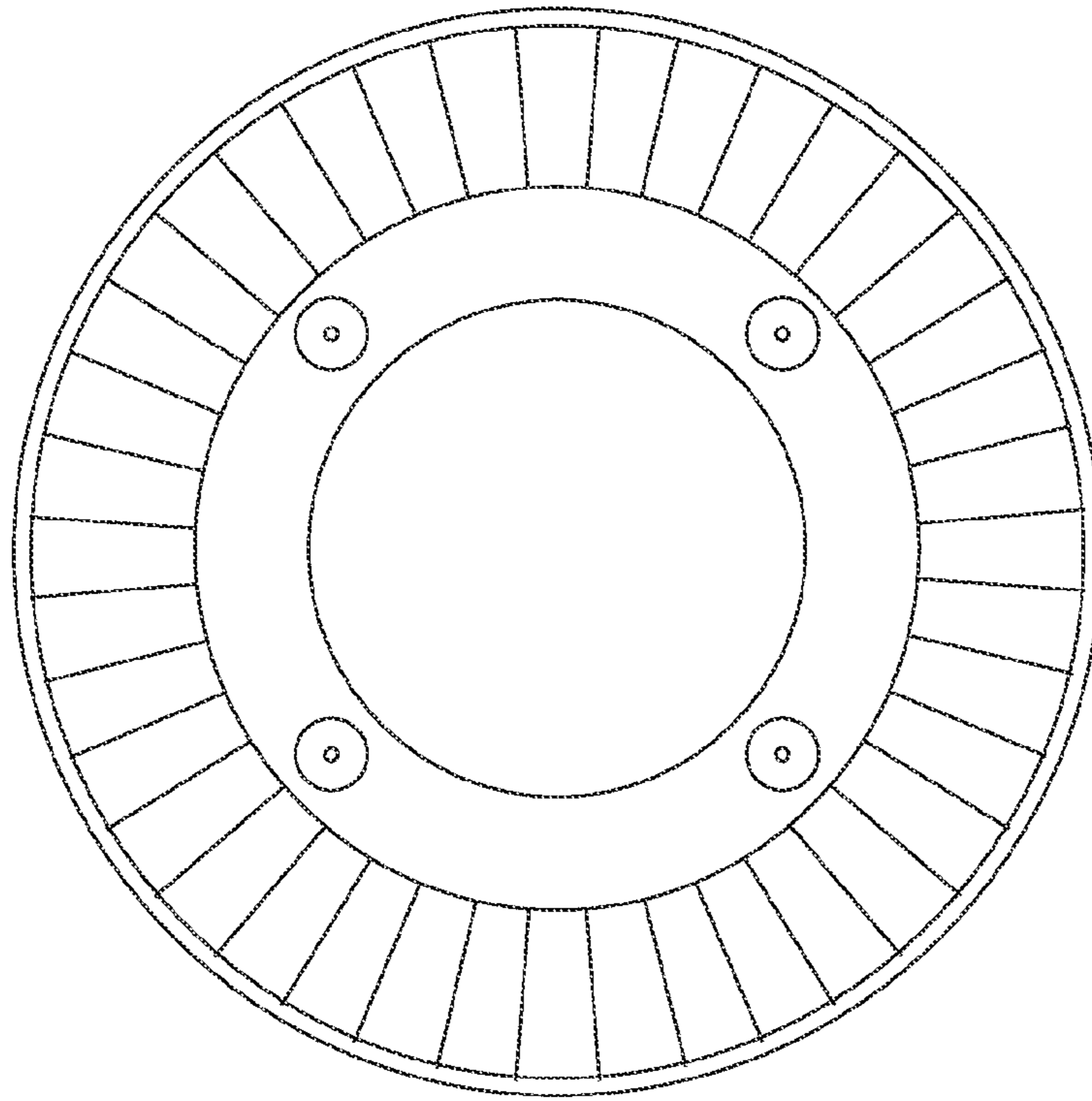


Figure 3

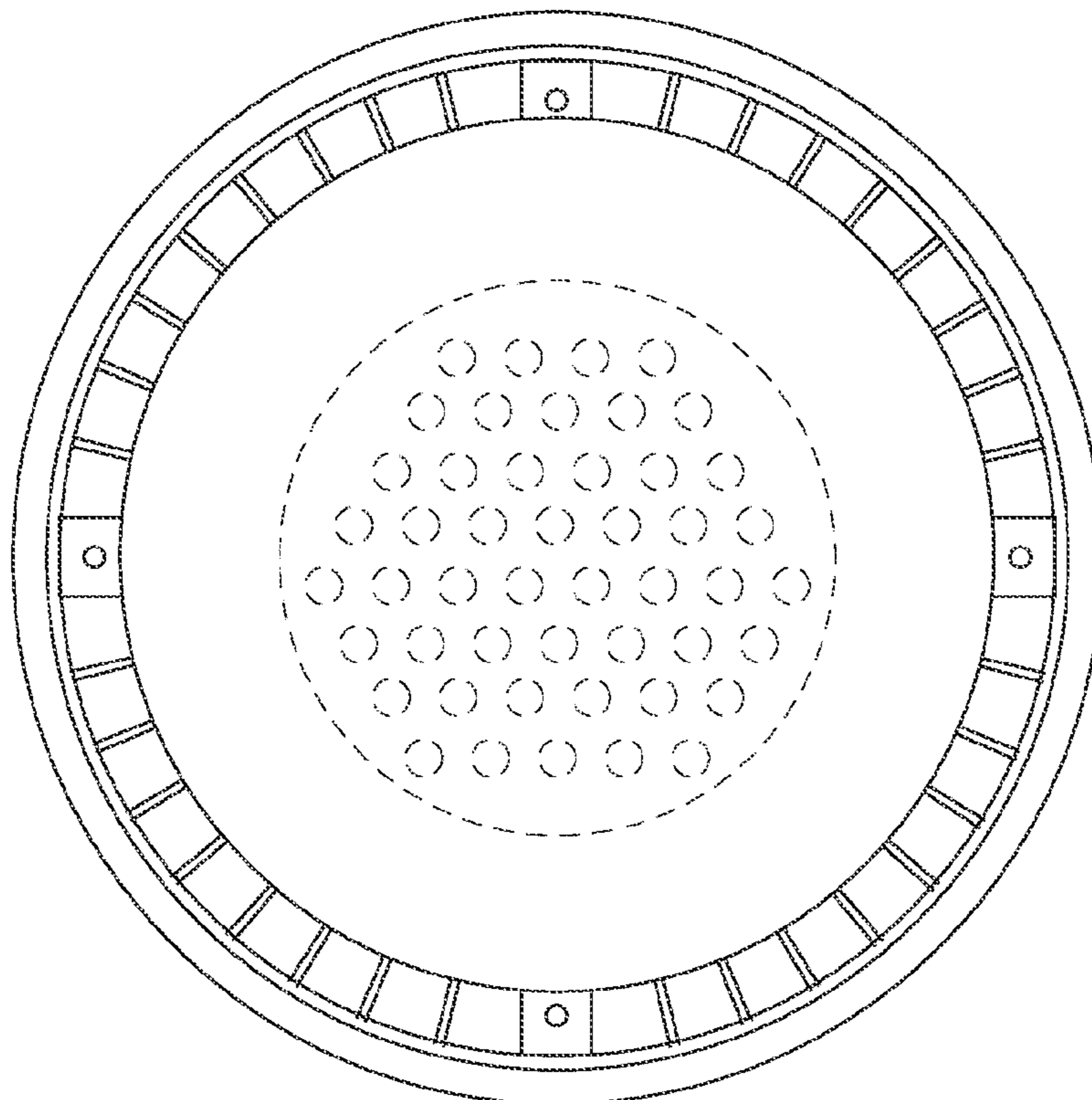


Figure 4