



US00D639995S

(12) **United States Design Patent**  
**Compton**

(10) **Patent No.:** **US D639,995 S**

(45) **Date of Patent:** **\*\* Jun. 14, 2011**

(54) **LIGHTING FIXTURE**

(75) **Inventor:** **Wayne W. Compton**, Chino Hills, CA (US)

(73) **Assignee:** **U.S. Pole Company, Inc.**, Palmdale, CA (US)

(\*\*) **Term:** **14 Years**

(21) **Appl. No.:** **29/361,039**

(22) **Filed:** **May 4, 2010**

**Related U.S. Application Data**

(62) Division of application No. 29/341,798, filed on Aug. 12, 2009, now Pat. No. Des. 617,034.

(51) **LOC (9) Cl.** ..... **26-03**

(52) **U.S. Cl.** ..... **D26/85**

(58) **Field of Classification Search** ..... D26/80,  
D26/85-88, 92, 118, 128; 362/147, 432  
See application file for complete search history.

(56) **References Cited**

**U.S. PATENT DOCUMENTS**

D82,518 S	*	11/1930	Ohm	.....	D26/85
D113,501 S	*	2/1939	Alm	.....	D26/86
D160,809 S	*	11/1950	Schear et al.	.....	D26/85
D162,345 S	*	3/1951	Roney	.....	D26/85
D324,742 S	*	3/1992	von Kluck	.....	D26/85
D448,106 S	*	9/2001	Lin	.....	D26/87
D550,390 S	*	9/2007	Chandler	.....	D26/87
D552,783 S	*	10/2007	Brunner	.....	D26/85
D568,526 S	*	5/2008	Chandler	.....	D26/85
D606,701 S	*	12/2009	Chandler	.....	D26/87

**OTHER PUBLICATIONS**

“Curve” wall sconce #WS9040-10-16M shown on p. 19 of the Alico Industries Inc. Catalog. © 2008 (2 pages).\*

Contemporary Gunmetal Wall Sconce from Forecast Lighting. Found at lightinguniverse.com, visited on Sep. 14, 2009.\*

Hudson Transitional Antique Nickel Wall Sconce. Found at lightinguniverse.com, visited on Sep. 14, 2009.\*

Volume Contemporary Black Brushed Nickel Wall Sconce. Found at lightinguniverse.com, visited on Sep. 14, 2009.\*

\* cited by examiner

*Primary Examiner* — Clare E Heflin

(74) *Attorney, Agent, or Firm* — Christie, Parker & Hale, LLP

(57) **CLAIM**

The ornamental design for lighting fixture, as shown and described.

**DESCRIPTION**

FIG. 1 is a perspective view of a lighting fixture according to the present invention;

FIG. 2 is a left side view of the embodiment of FIG. 1;

FIG. 3 is a front view of the embodiment of FIG. 1;

FIG. 4 is a top view of the embodiment of FIG. 1;

FIG. 5 is a bottom view of the embodiment of FIG. 1; and,

FIG. 6 is a rear view of the embodiment of FIG. 1.

The broken lines shown on the drawings depict portions of the light fixture that form no part of the claimed design.

**1 Claim, 6 Drawing Sheets**

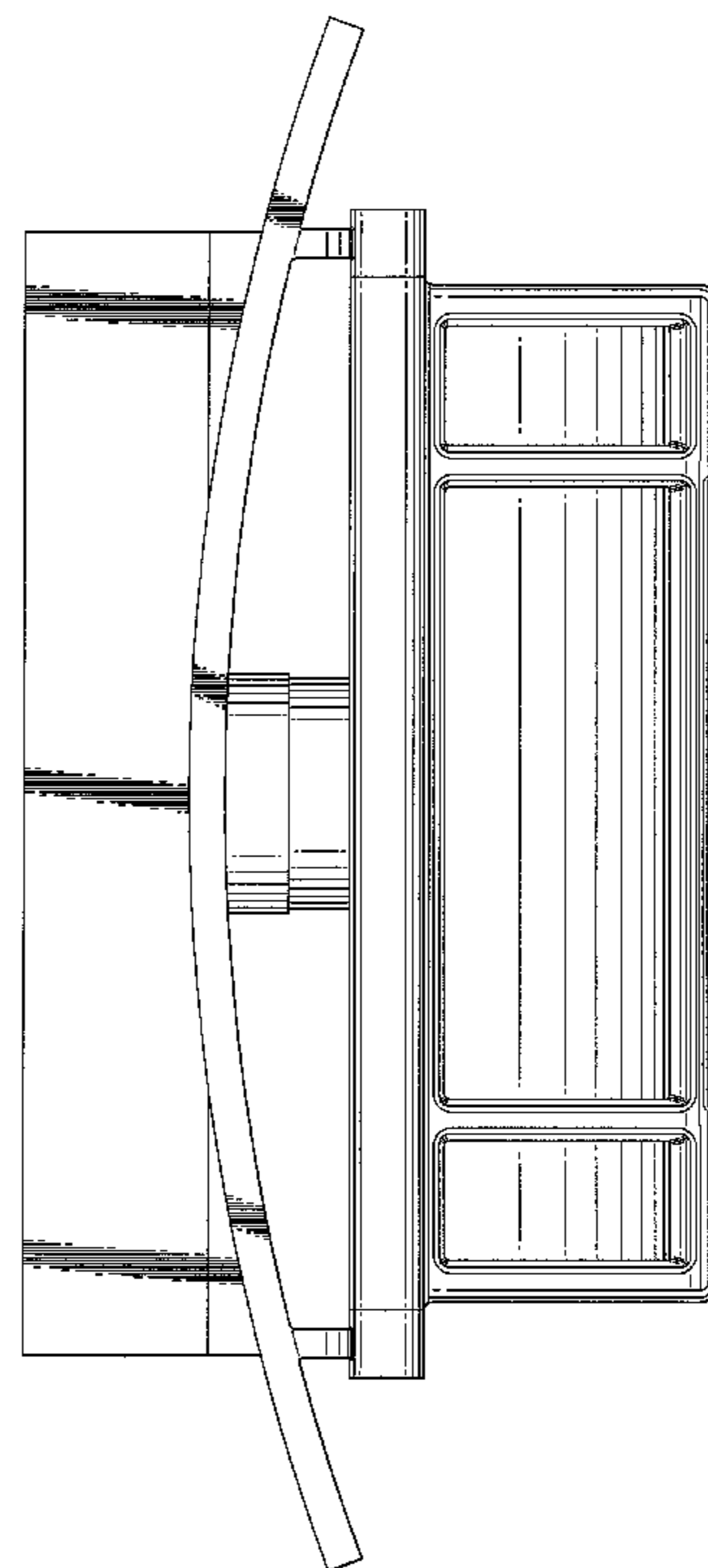
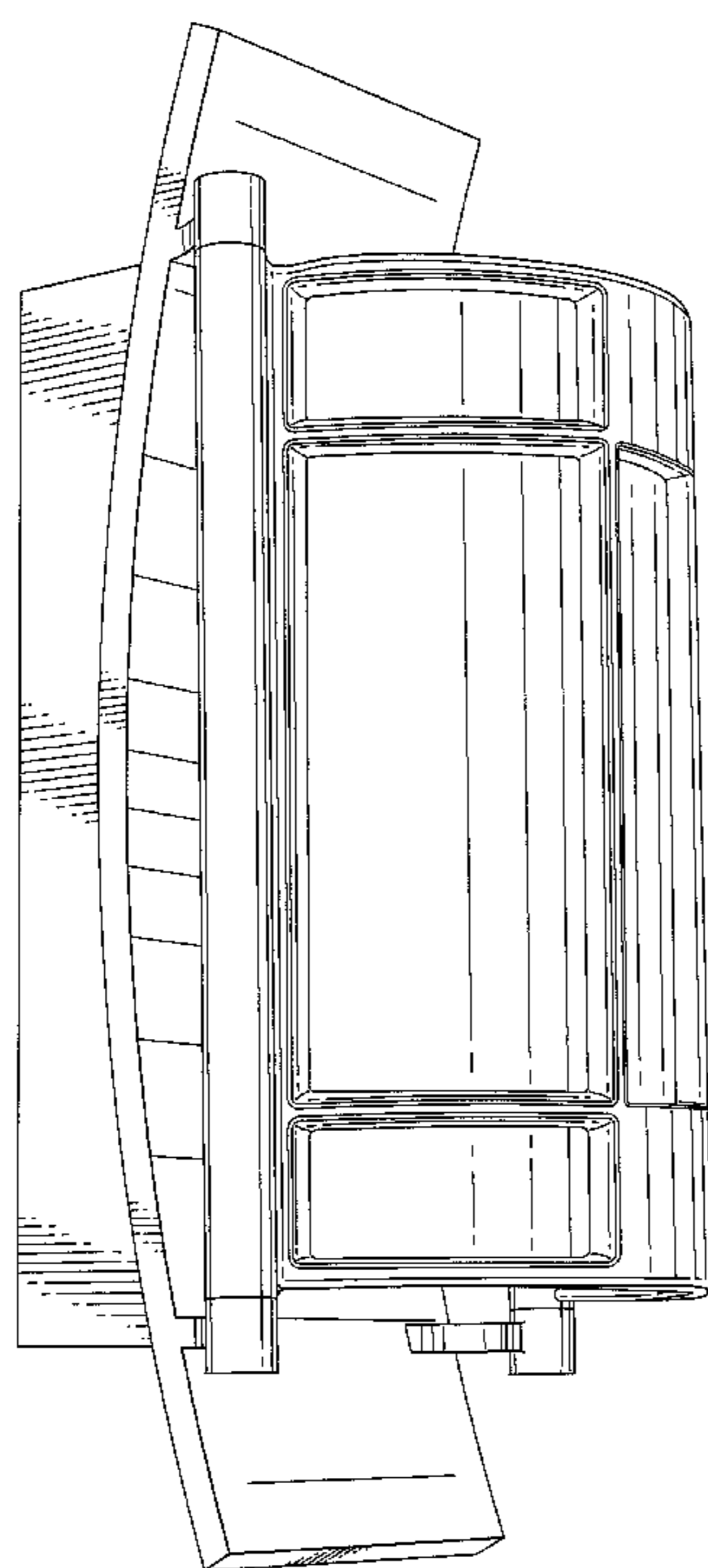


FIG. 1

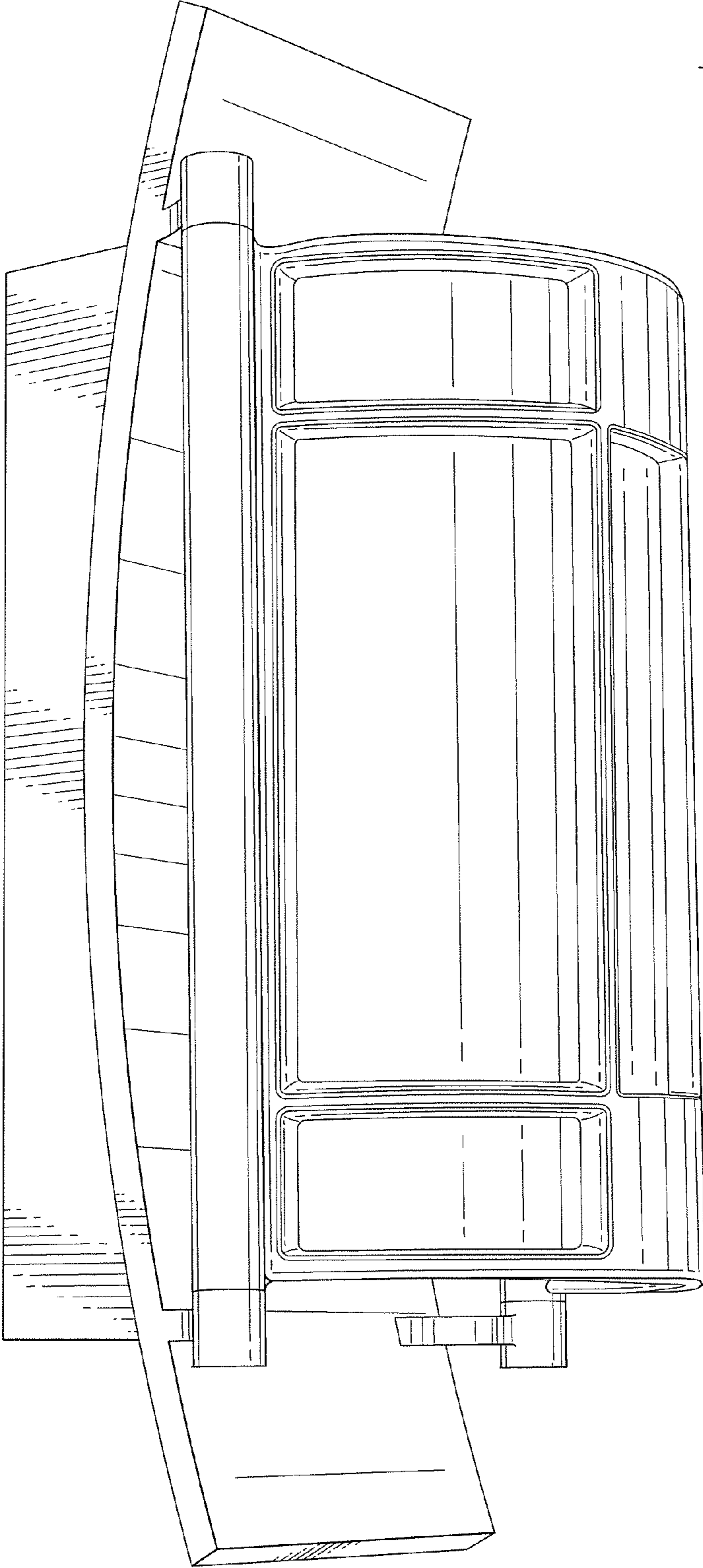
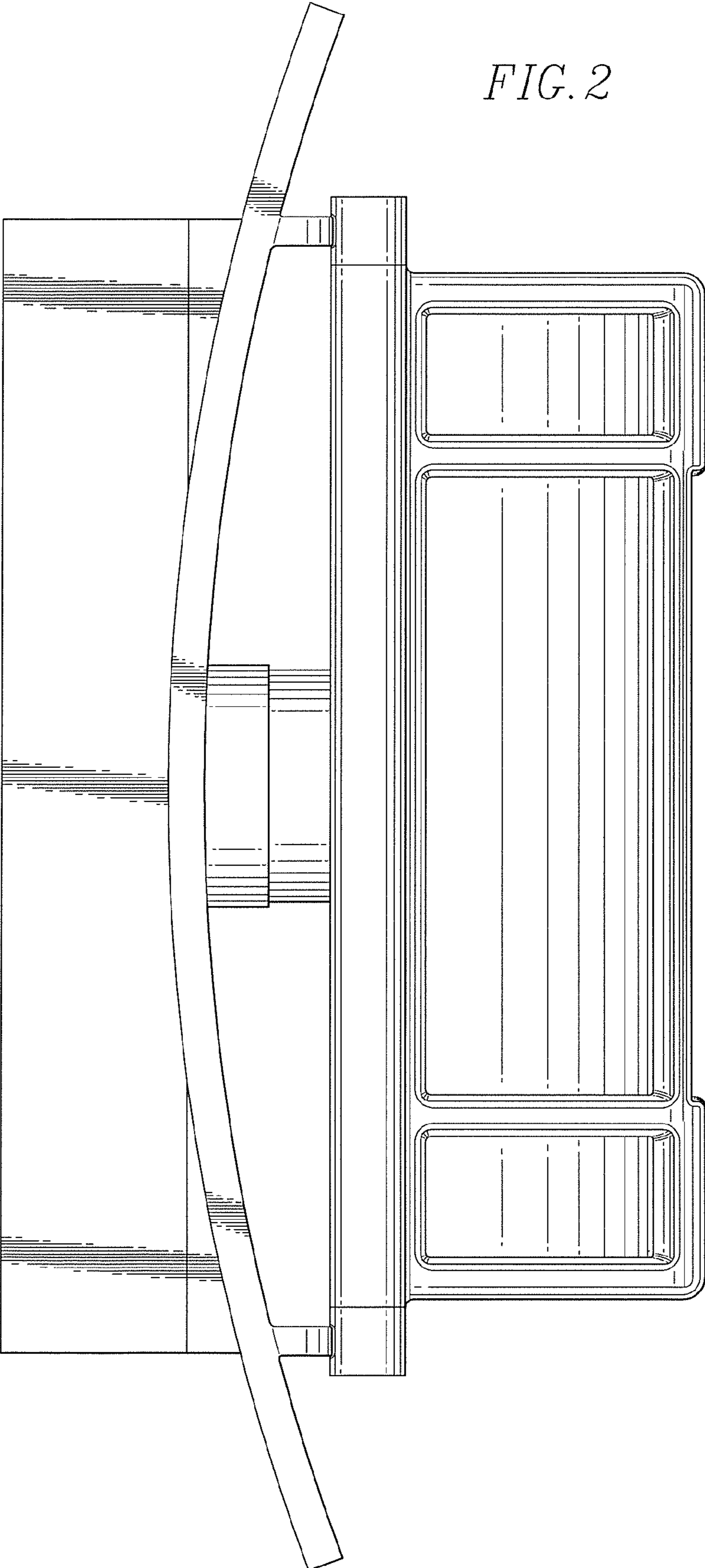
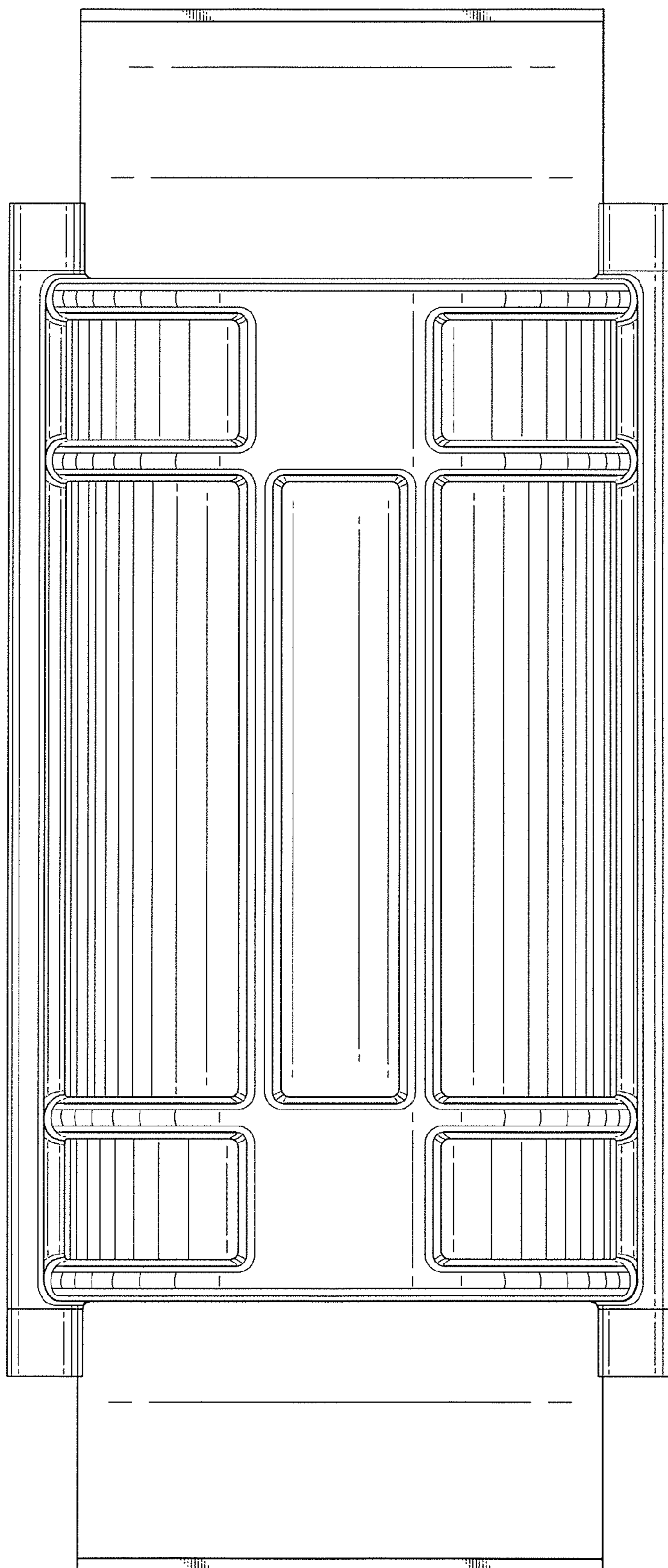


FIG. 2



*FIG. 3*





*FIG. 4*

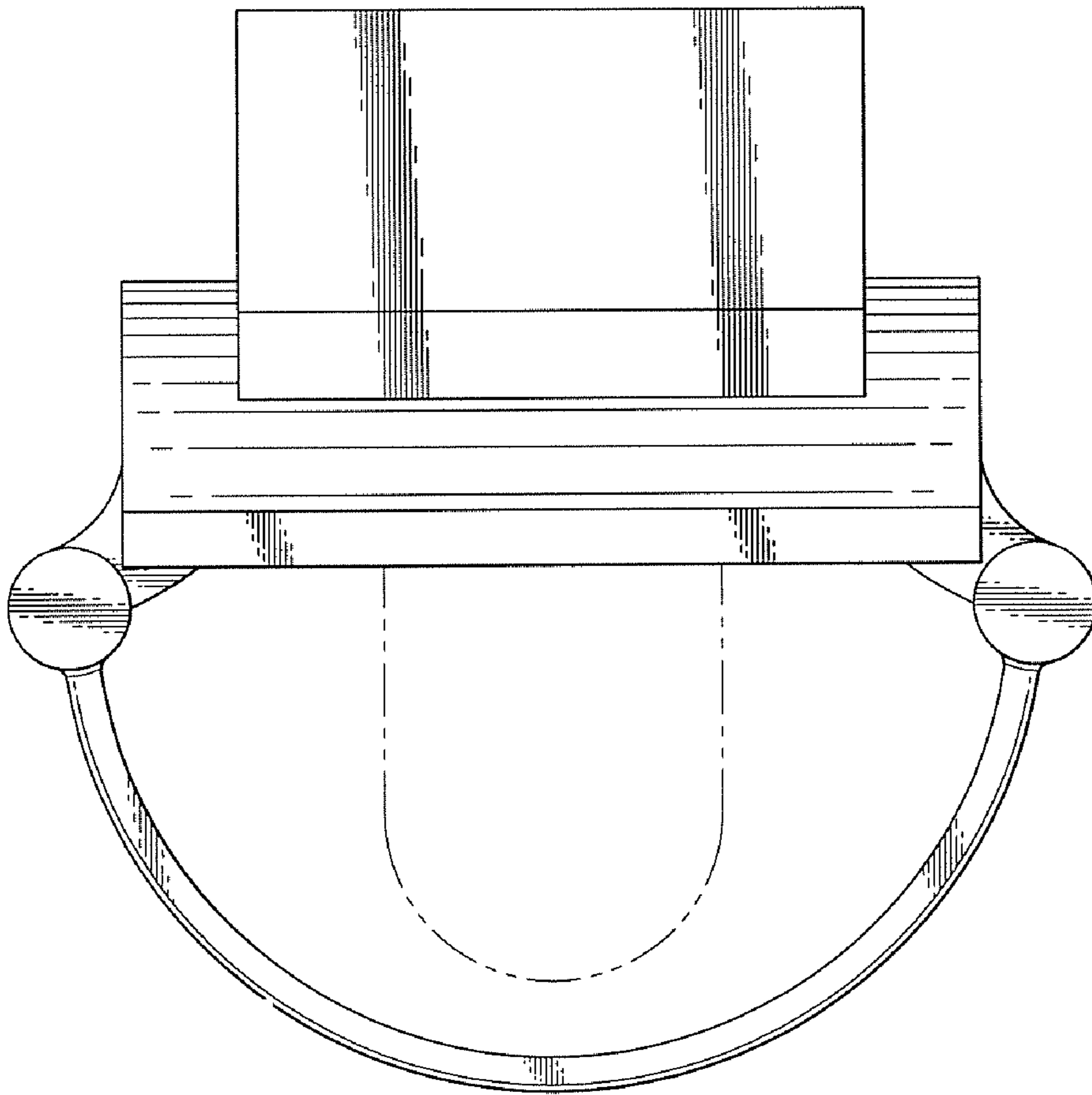


FIG. 5

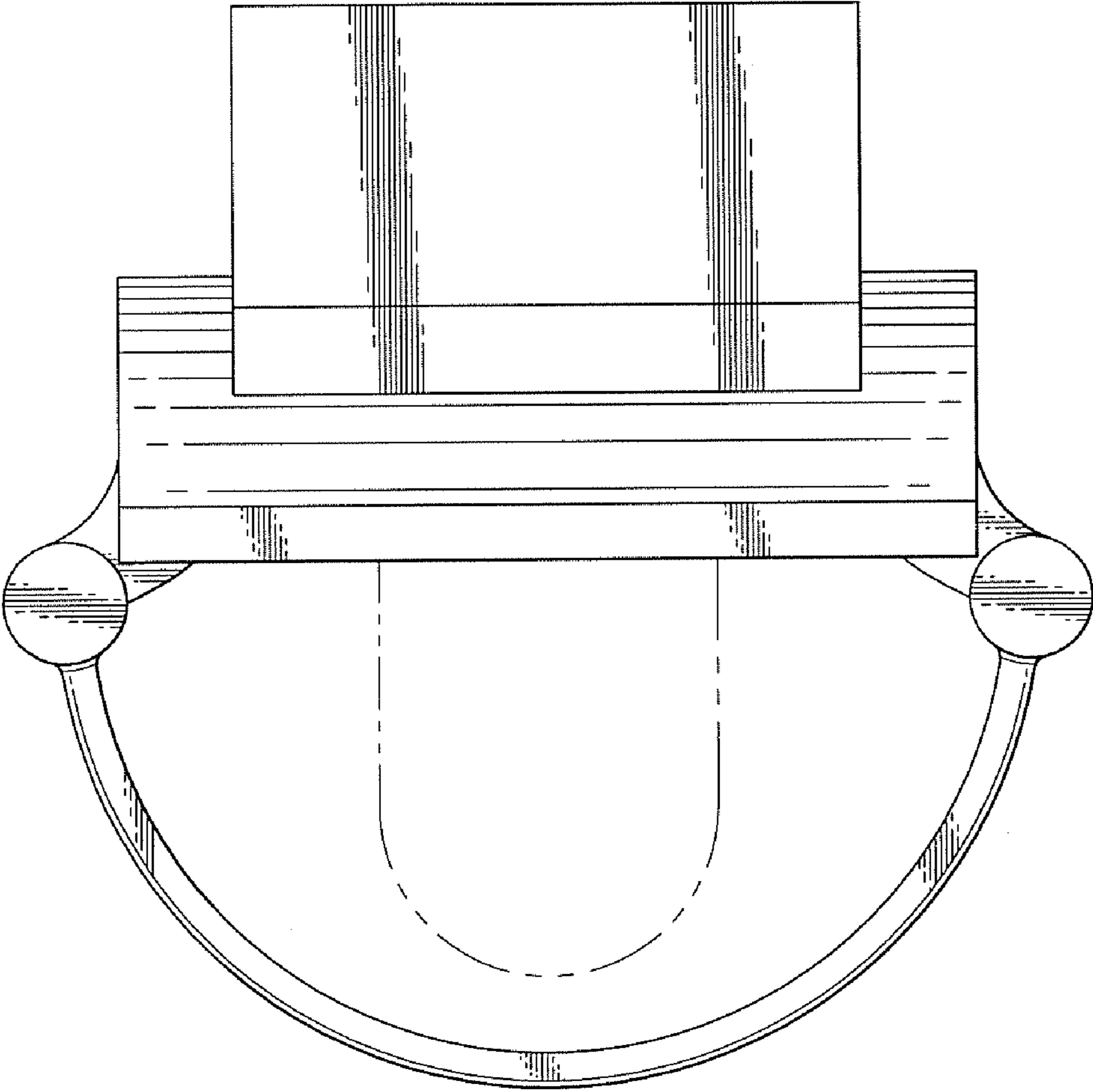


FIG. 6

