



US00D639994S

(12) **United States Design Patent**
Wauters

(10) **Patent No.:** **US D639,994 S**
(45) **Date of Patent:** **** Jun. 14, 2011**

(54) **LUMINAIRE**
(75) **Inventor:** **Tom Wauters, Mortsel (BE)**
(73) **Assignee:** **Koninklijke Philips Electronics N.V., Eindhoven (NL)**
(**) **Term:** **14 Years**
(21) **Appl. No.:** **29/376,540**
(22) **Filed:** **Oct. 8, 2010**

3,463,913 A * 8/1969 Shavaliier 362/372
3,524,068 A * 8/1970 Zorn 250/239
D292,322 S * 10/1987 Krol D26/75
D336,863 S * 6/1993 MacKenzie D10/114
6,059,424 A * 5/2000 Kotloff 362/220
7,390,104 B2 * 6/2008 Coshaine 362/184
7,654,690 B2 * 2/2010 Chuan 362/249.02
7,857,493 B2 * 12/2010 Engel 362/431
2004/0042203 A1 * 3/2004 Ladstatter 362/147
2010/0020541 A1 * 1/2010 Incorvia et al. 362/249.01
2010/0073929 A1 * 3/2010 Gingrich, III 362/249.01
* cited by examiner

(30) **Foreign Application Priority Data**
Apr. 8, 2010 (EM) 001692088-0005
(51) **LOC (9) Cl.** **26-03**
(52) **U.S. Cl.** **D26/83; D26/89**
(58) **Field of Classification Search** D26/72,
D26/80, 83-92, 144; 362/147, 220, 239,
362/240, 248, 249.02, 249.03, 249.1, 277,
362/282, 285, 287, 311.02, 372
See application file for complete search history.

Primary Examiner — Clare E Heflin

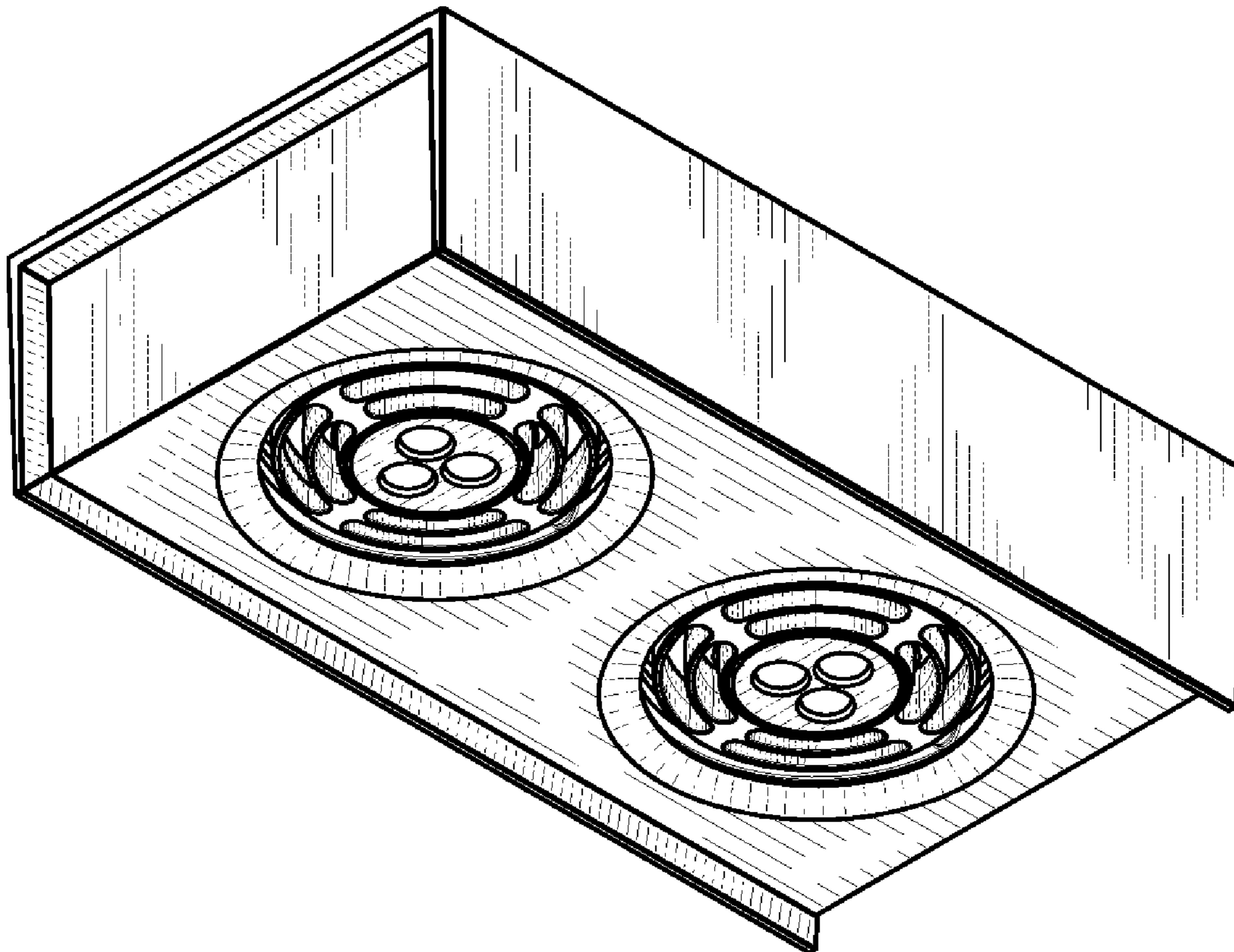
(56) **References Cited**
U.S. PATENT DOCUMENTS
D127,173 S * 5/1941 Levy D26/76
3,287,552 A * 11/1966 Drandell 362/233

(57) **CLAIM**
The ornamental design for a luminaire, as shown.

DESCRIPTION

FIG. 1 is a perspective view showing my design;
FIG. 2 is a front elevational view thereof;
FIG. 3 is a rear elevational view thereof;
FIG. 4 is a right side elevational view thereof;
FIG. 5 is a left side elevational view thereof;
FIG. 6 is a top plan view thereof; and,
FIG. 7 is a bottom plan view thereof.

1 Claim, 3 Drawing Sheets



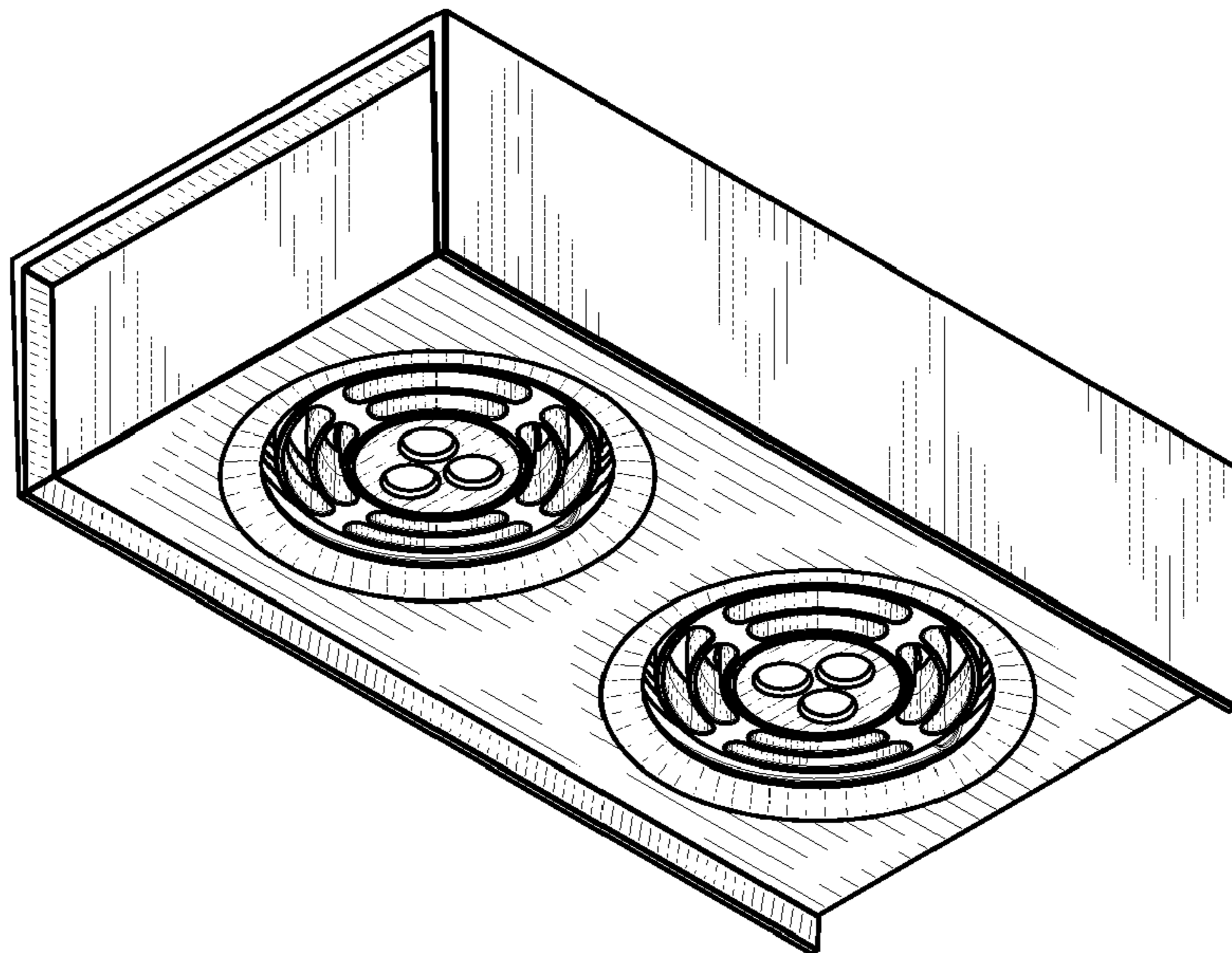


FIG. 1

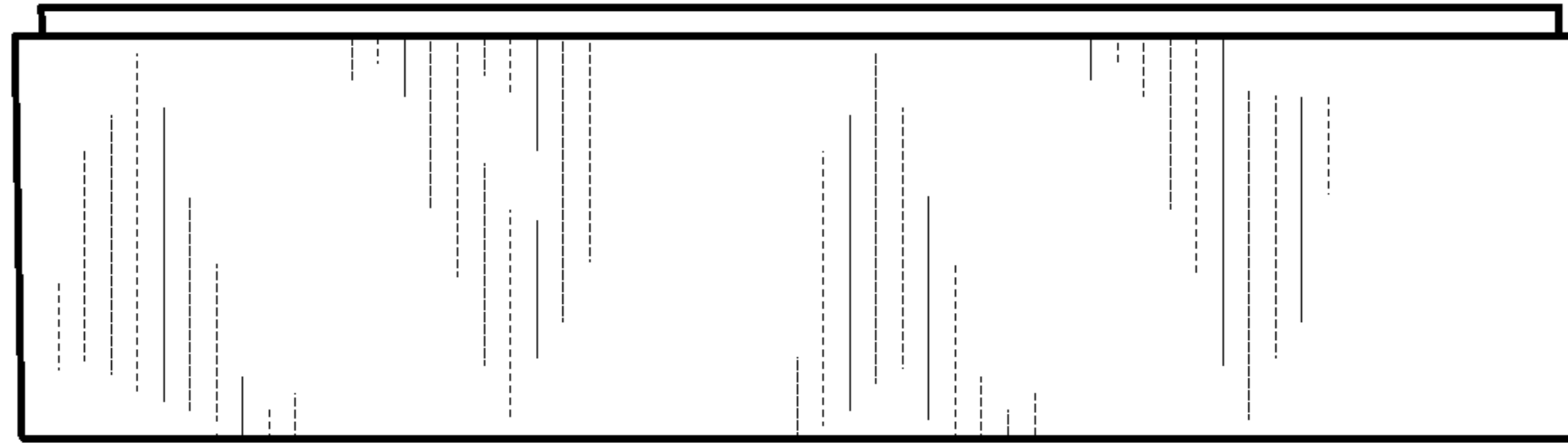


FIG. 2

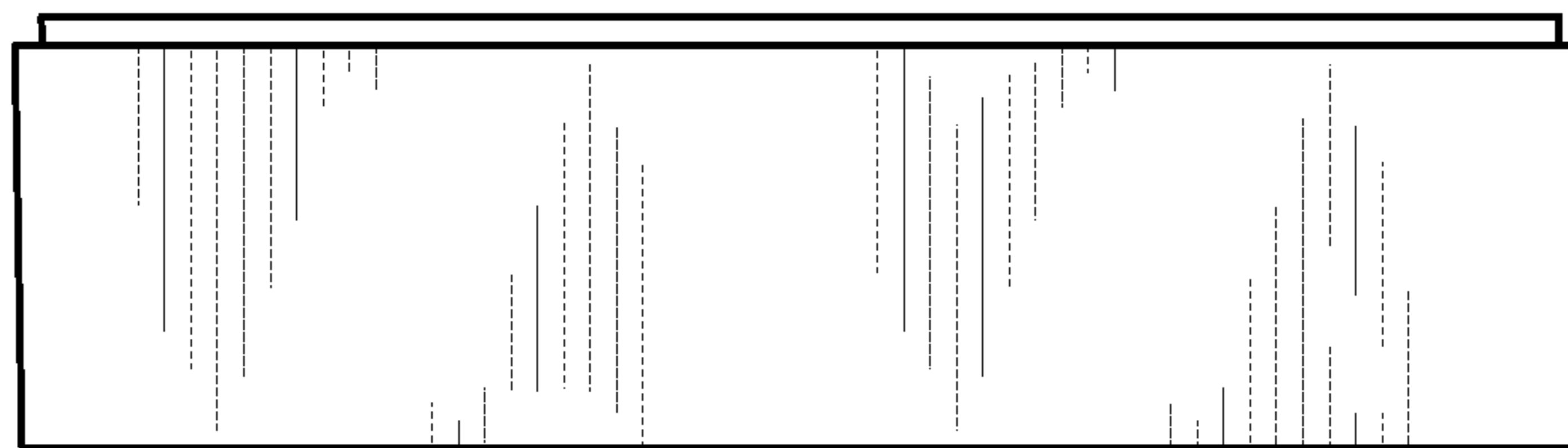


FIG. 3

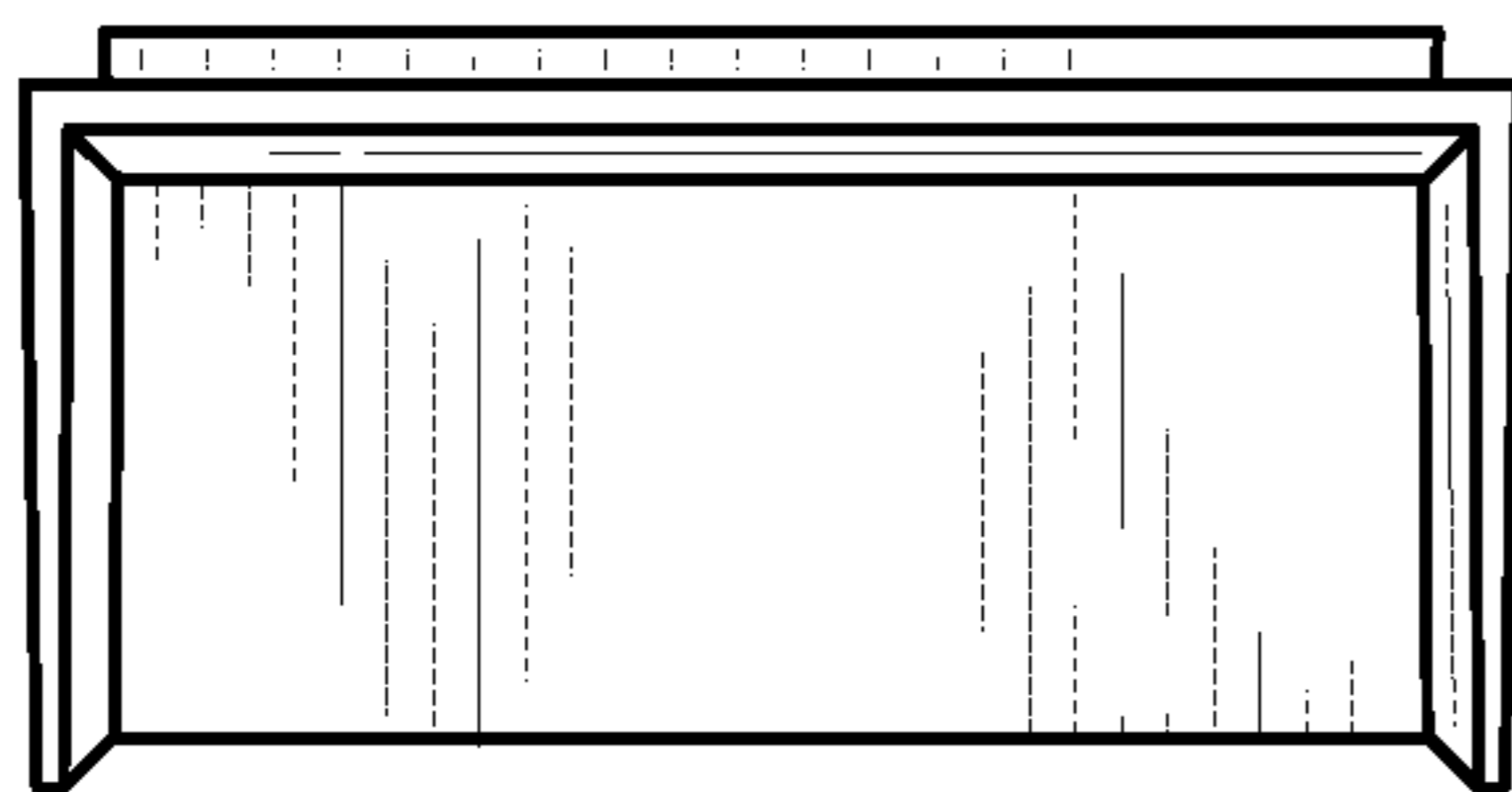


FIG. 4

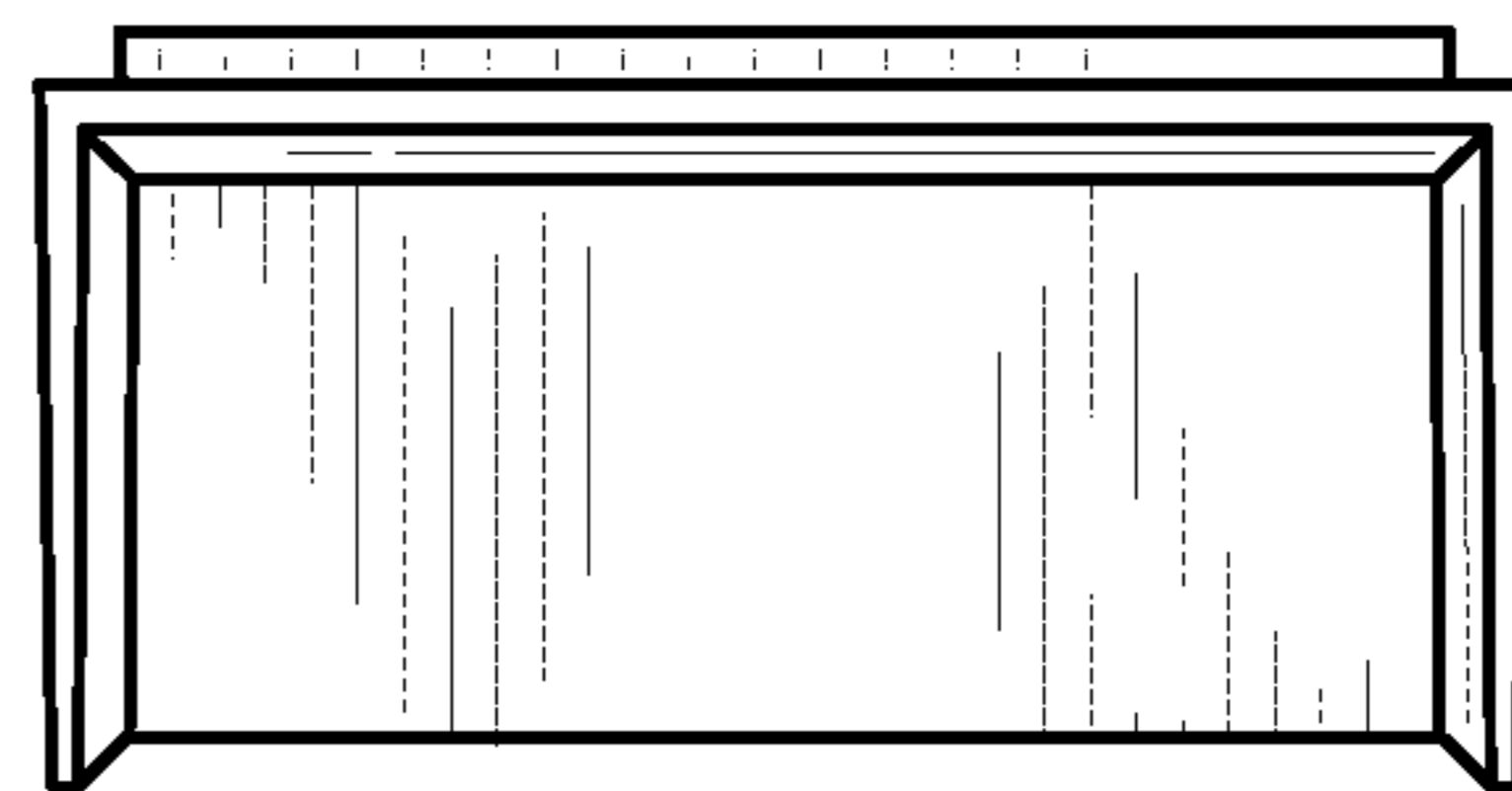


FIG. 5

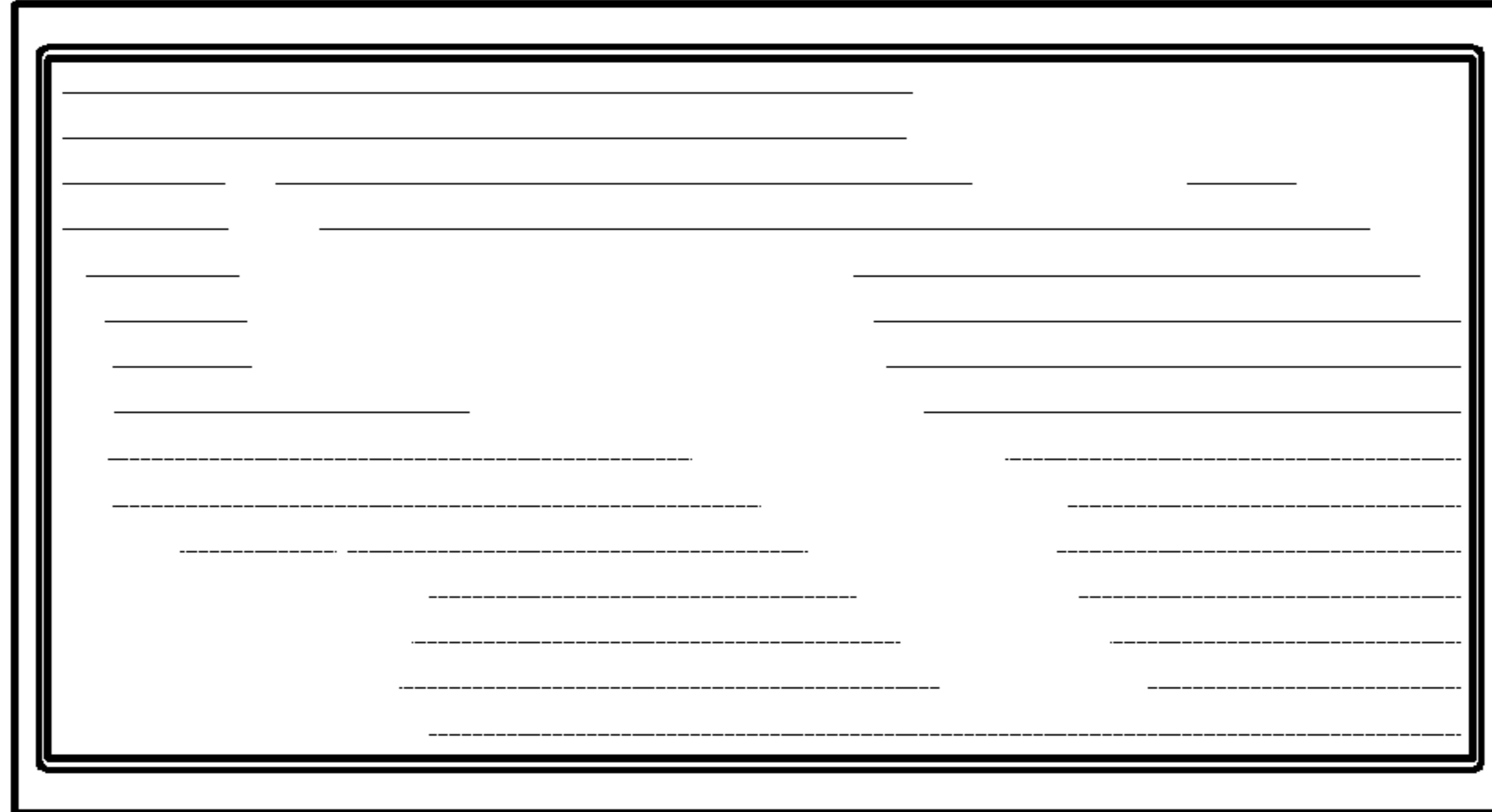


FIG. 6

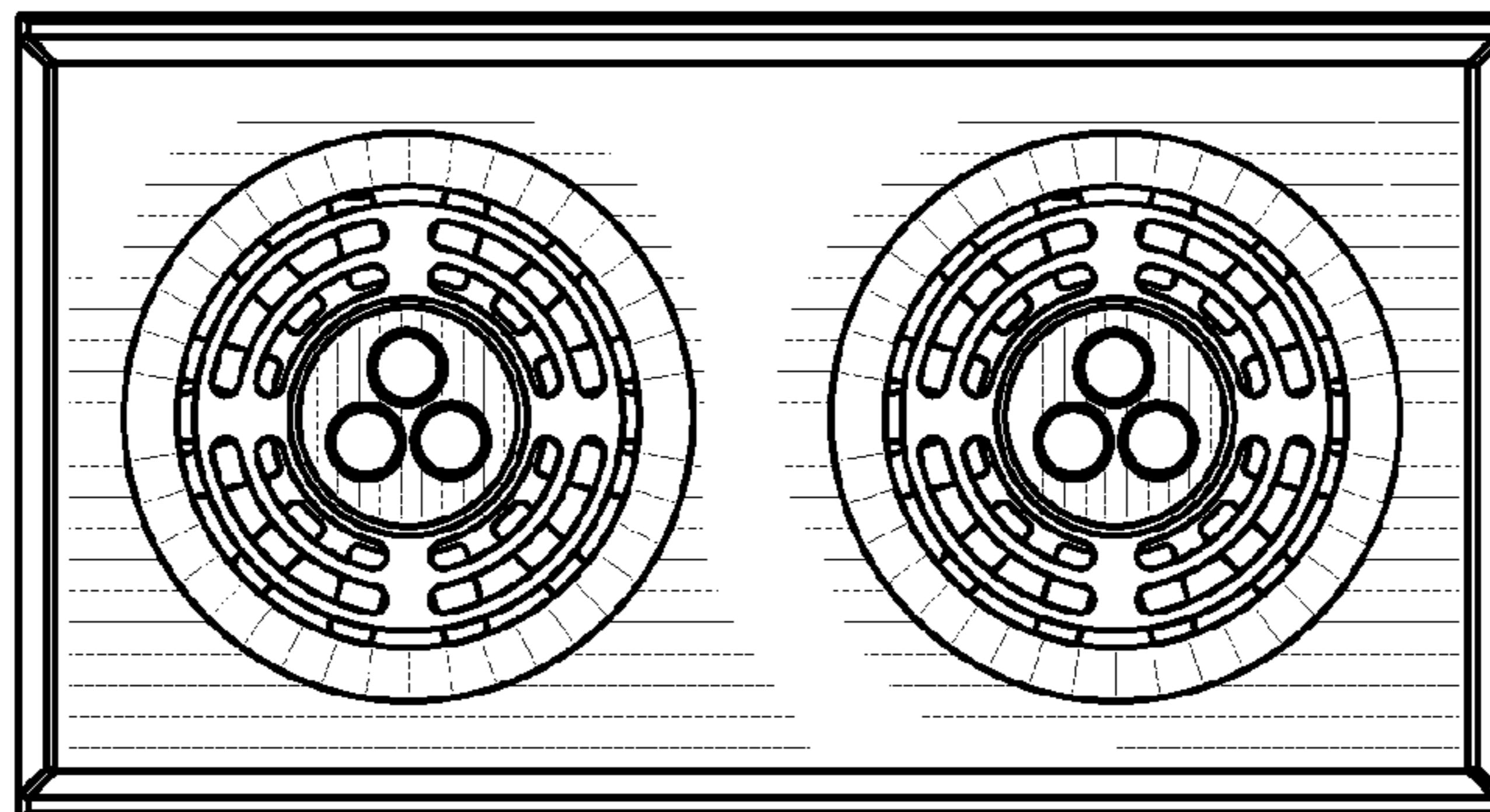


FIG. 7