



US00D639993S

(12) **United States Design Patent**
Mier-Langner et al.

(10) **Patent No.:** **US D639,993 S**
(45) **Date of Patent:** **** Jun. 14, 2011**

(54) **LUMINAIRE**

(75) Inventors: **Alejandro Mier-Langner**, Providence, RI (US); **Michael Tinstman**, Malden, MA (US)

(73) Assignee: **Koninklijke Philips Electronics N.V.**, Eindhoven (NL)

(**) Term: **14 Years**

(21) Appl. No.: **29/354,238**

(22) Filed: **Jan. 21, 2010**

Related U.S. Application Data

(63) Continuation of application No. 12/685,428, filed on Jan. 11, 2010.

(51) **LOC (9) Cl.** **26-05**

(52) **U.S. Cl.** **D26/74**

(58) **Field of Classification Search** D26/74,
D26/72, 24, 36, 59, 118, 133, 134, 89; 362/145,
362/147, 148, 150, 151, 153, 218, 217.06,
362/217.07, 294, 296.01, 296.06, 296.07,
362/296.08, 311.07, 311.09, 364, 365, 373;
D13/179

See application file for complete search history.

(56) **References Cited**

U.S. PATENT DOCUMENTS

D51,967 S	4/1918	Adam	
D185,874 S	8/1959	Rambusch et al.	
D326,731 S	6/1992	Chaubard	
D407,524 S *	3/1999	Lecluze	D26/118
5,909,955 A *	6/1999	Roorda	362/368
D438,328 S	2/2001	Pan	
D464,164 S	10/2002	Thompson	
D497,447 S	10/2004	Yoneda	
D547,483 S *	7/2007	Pickett	D26/89
D549,385 S	8/2007	Lissoni	
D558,386 S	12/2007	Bickler et al.	
D558,912 S	1/2008	Crosby	

D564,696 S	3/2008	Hetfield et al.	
D566,885 S *	4/2008	Mullen	D26/123
D581,081 S *	11/2008	Mier-Langner	D26/72
D583,498 S *	12/2008	Meyer et al.	D26/89
D583,981 S *	12/2008	Meyer et al.	D26/89
D583,982 S *	12/2008	Meyer et al.	D26/89
D583,983 S *	12/2008	Meyer et al.	D26/89
D609,840 S *	2/2010	Tang	D26/74
D617,031 S *	6/2010	Redfern et al.	D26/85
D617,035 S *	6/2010	Sabernig	D26/89
2009/0279298 A1 *	11/2009	Mier-Langner et al.	362/235

* cited by examiner

Primary Examiner — Angela J Lee

(57) **CLAIM**

The ornamental design for a luminaire, as shown and described.

DESCRIPTION

FIG. 1 is a bottom perspective view of the luminaire of the present invention, with visible non-outer surface portions of the luminaire being shown as viewed through the outer surface of the luminaire;

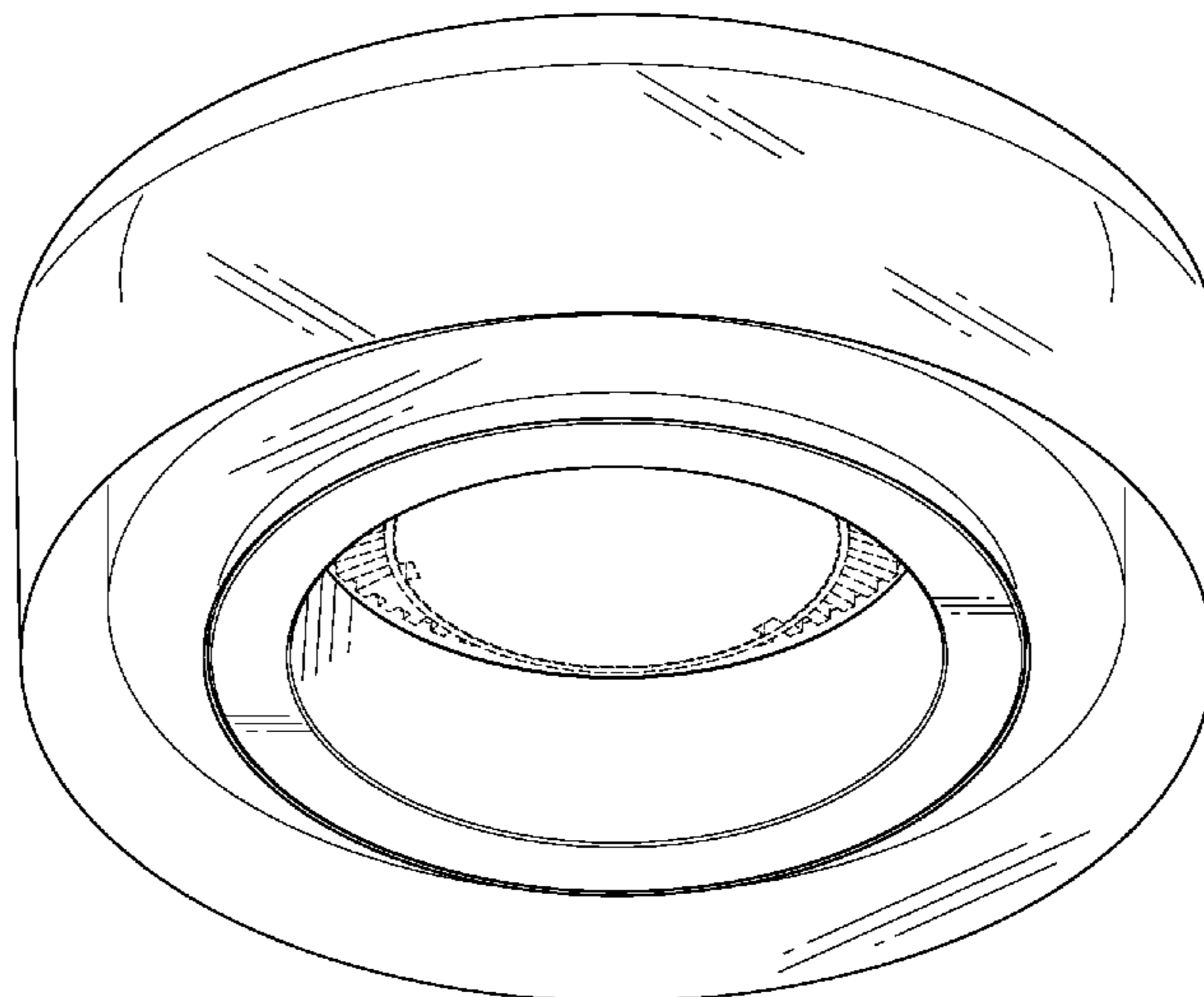
FIG. 2 is a side view of the design of the present invention with visible non-outer surface portions of the luminaire being shown as viewed through the outer surface of the luminaire. All the claimed portions of the sides are mirror images of the others, so no other side views are depicted;

FIG. 3 is a bottom view of the design of the present invention with visible non-outer surface portions of the luminaire being shown as viewed through the outer surface of the luminaire; and,

FIG. 4 is a section view of the luminaire of the present invention taken along the section line 4-4 of FIG. 3 and more clearly showing the non-outer surface portions of the luminaire that are visible through the outer surface of the luminaire.

The broken lines showing environmental structure are for illustrative purposes only and form no part of the claimed design.

1 Claim, 3 Drawing Sheets



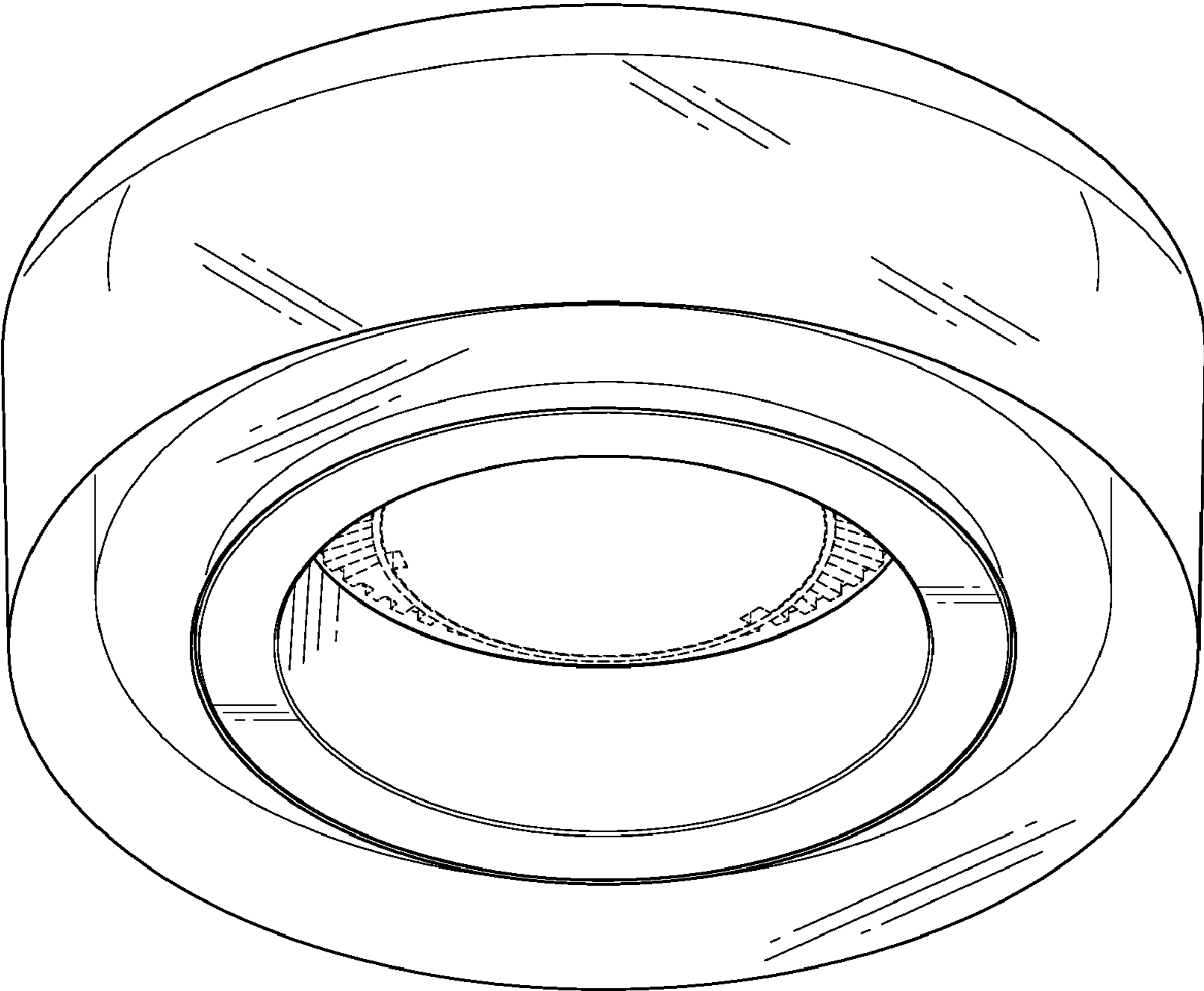


FIG. 1

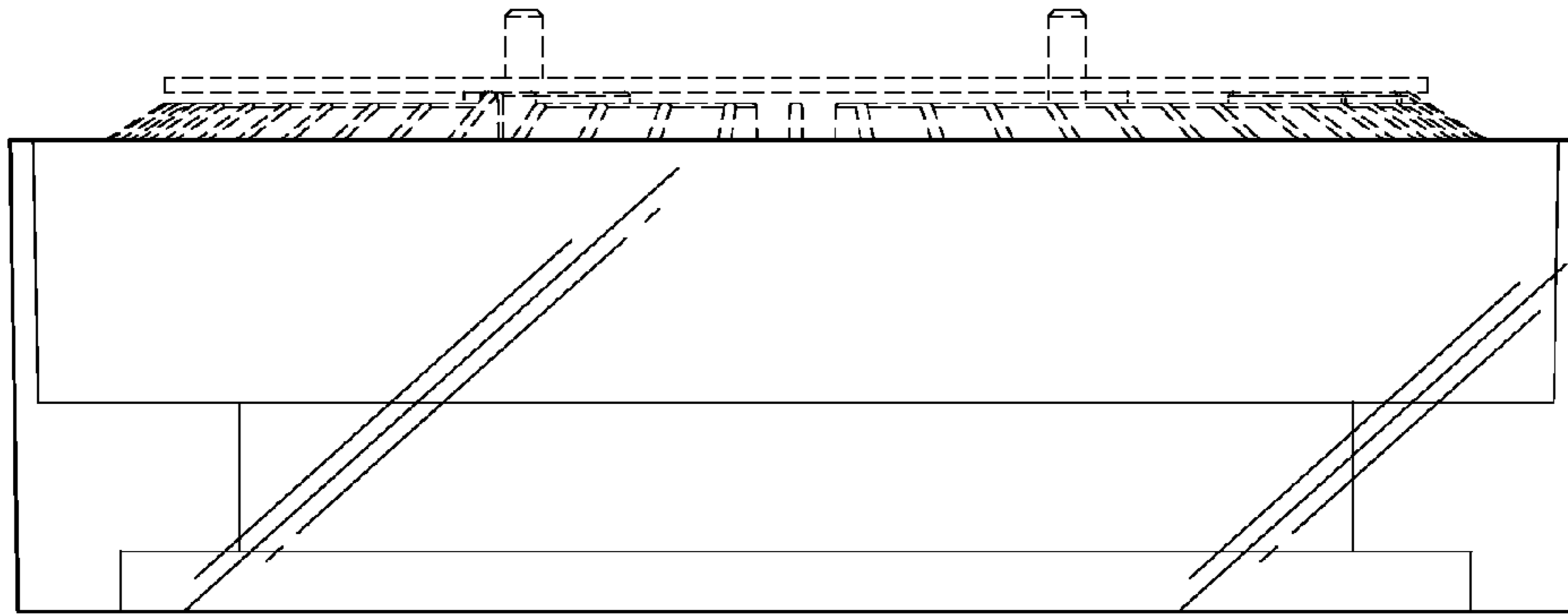


FIG. 2

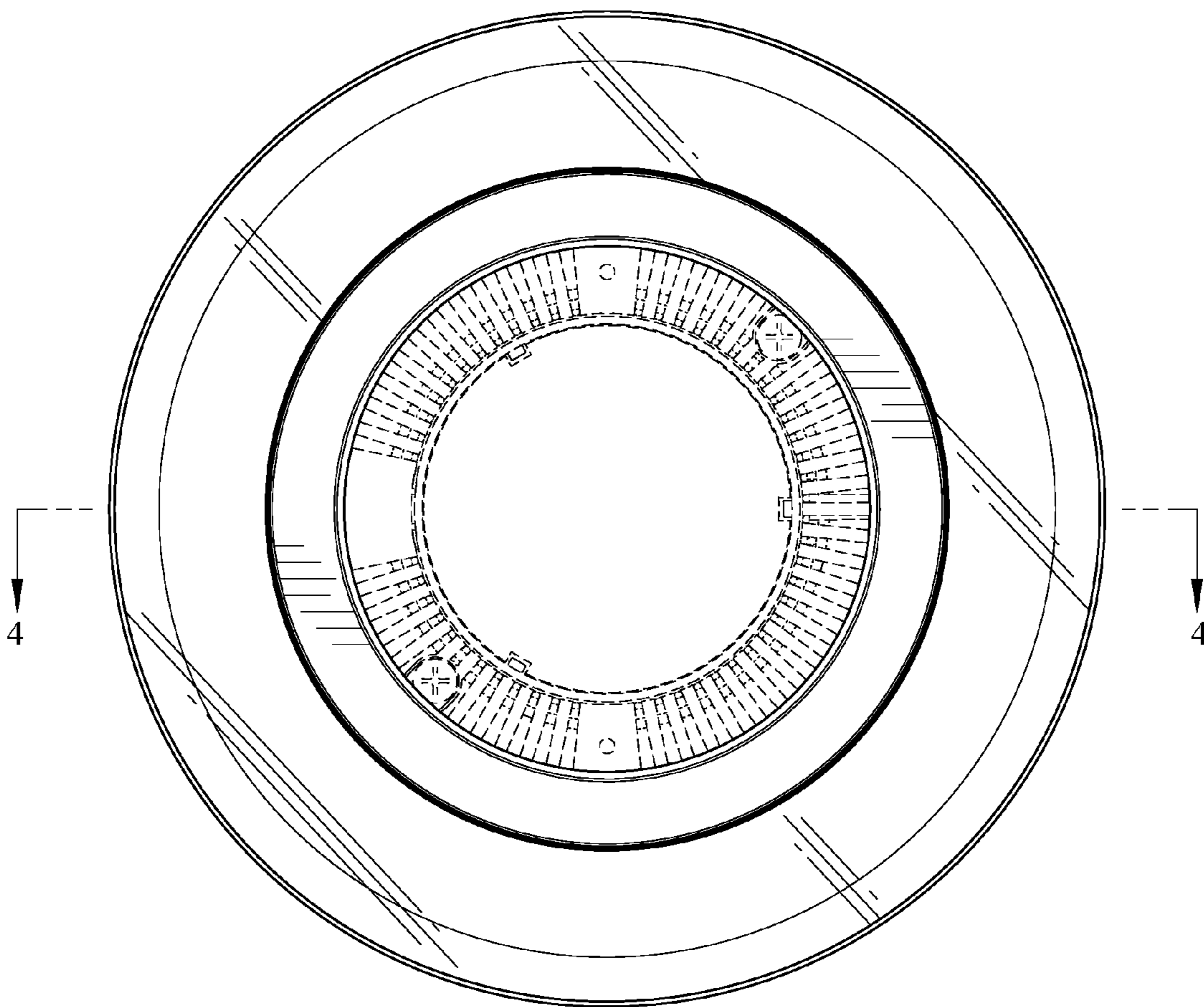


FIG. 3

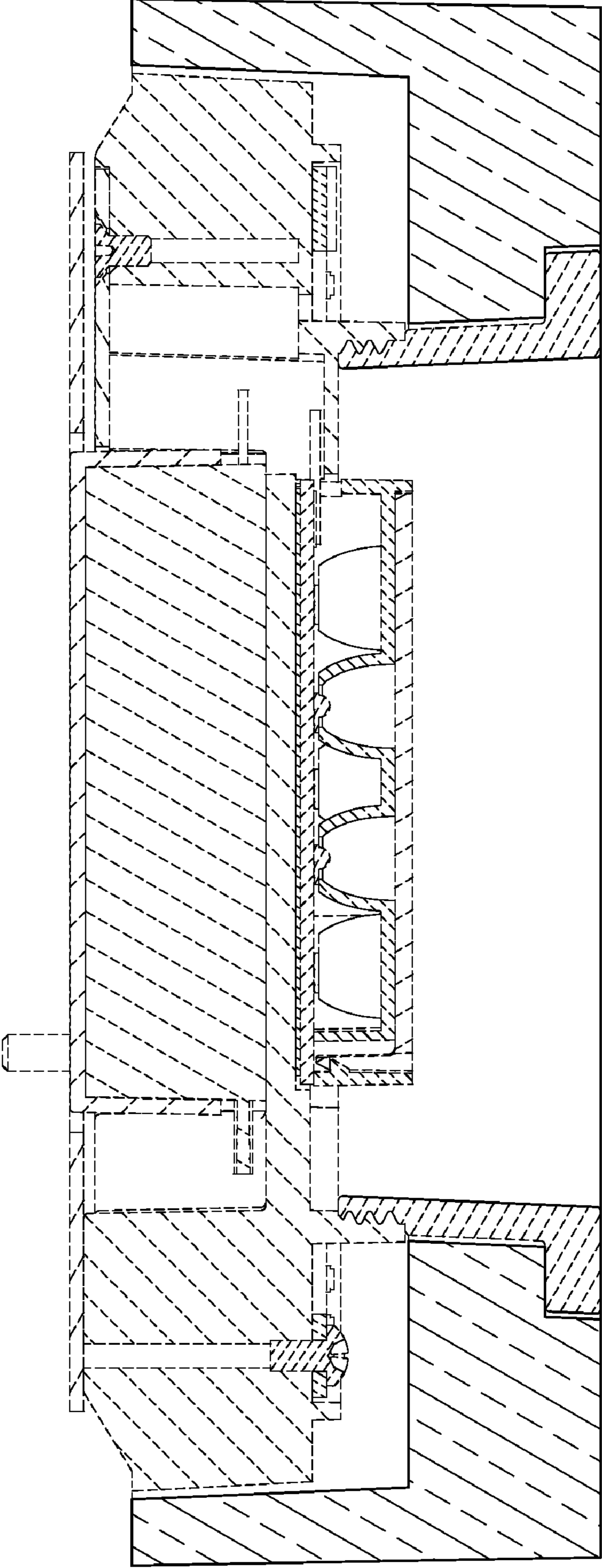


FIG. 4