



US00D639986S

(12) **United States Design Patent**
Wessel

(10) **Patent No.:** **US D639,986 S**
(45) **Date of Patent:** **** Jun. 14, 2011**

- (54) **CONVERTIBLE WORK LIGHT**
- (76) Inventor: **Elmer A. Wessel**, Lincoln, NE (US)
- (**) Term: **14 Years**
- (21) Appl. No.: **29/352,769**
- (22) Filed: **Dec. 24, 2009**
- (51) **LOC (9) Cl.** **26-02**
- (52) **U.S. Cl.** **D26/46; D26/38**
- (58) **Field of Classification Search** D26/37,
D26/38, 46, 49, 40, 42, 51, 144; 362/157,
362/158, 183, 190, 194-208; D6/498; D16/244
See application file for complete search history.

(56) **References Cited**

U.S. PATENT DOCUMENTS

D263,170	S	*	2/1982	Maglica	D26/49
D377,538	S		1/1997	Blevins		
D450,339	S		11/2001	Eason		
D451,224	S	*	11/2001	Yang	D26/49
D480,493	S		10/2003	Liou		
D496,115	S		9/2004	Lin		
D506,942	S	*	7/2005	Leung et al.	D10/114
D513,642	S	*	1/2006	Zhang	D26/49
7,011,423	B2	*	3/2006	Chen	362/102
D546,489	S		7/2007	Yuen		
D551,368	S		9/2007	Shiu		
D552,660	S	*	10/2007	Lee	D16/244
7,296,909	B2		11/2007	Van Deursen et al.		
7,364,320	B2	*	4/2008	Van Deursen et al.	362/190
D568,514	S		5/2008	Shiu		
D596,771	S		7/2009	Lee		
D604,437	S		11/2009	Yang		
D625,035	S	*	10/2010	Vanderbeek	D26/48
2001/0020903	A1		9/2001	Wang		
2002/0136005	A1		9/2002	Lee		
2005/0036308	A1		2/2005	Wright		

* cited by examiner

Primary Examiner — Ian Simmons

Assistant Examiner — Carissa C Fitts

(74) *Attorney, Agent, or Firm* — Geoffrey E. Dobbin

(57) **CLAIM**

The ornamental design for a convertible work light, as shown and described.

DESCRIPTION

FIG. 1 is a left elevation of the convertible work light in a stowed configuration, the right elevation being a mirror image thereof.

FIG. 2 is a front elevation of the convertible work light of FIG. 1, the rear elevation being a mirror image thereof.

FIG. 3 is a top plan view of the convertible work light of FIG. 1.

FIG. 4 is a bottom plan view of the convertible work light of FIG. 1.

FIG. 5 is a top perspective view of the convertible work light of FIG. 1.

FIG. 6 is a bottom perspective view of the convertible work light of FIG. 1.

FIG. 7 is a front elevation of the convertible work light in a deployed configuration.

FIG. 8 is a perspective view of the convertible work light of FIG. 8.

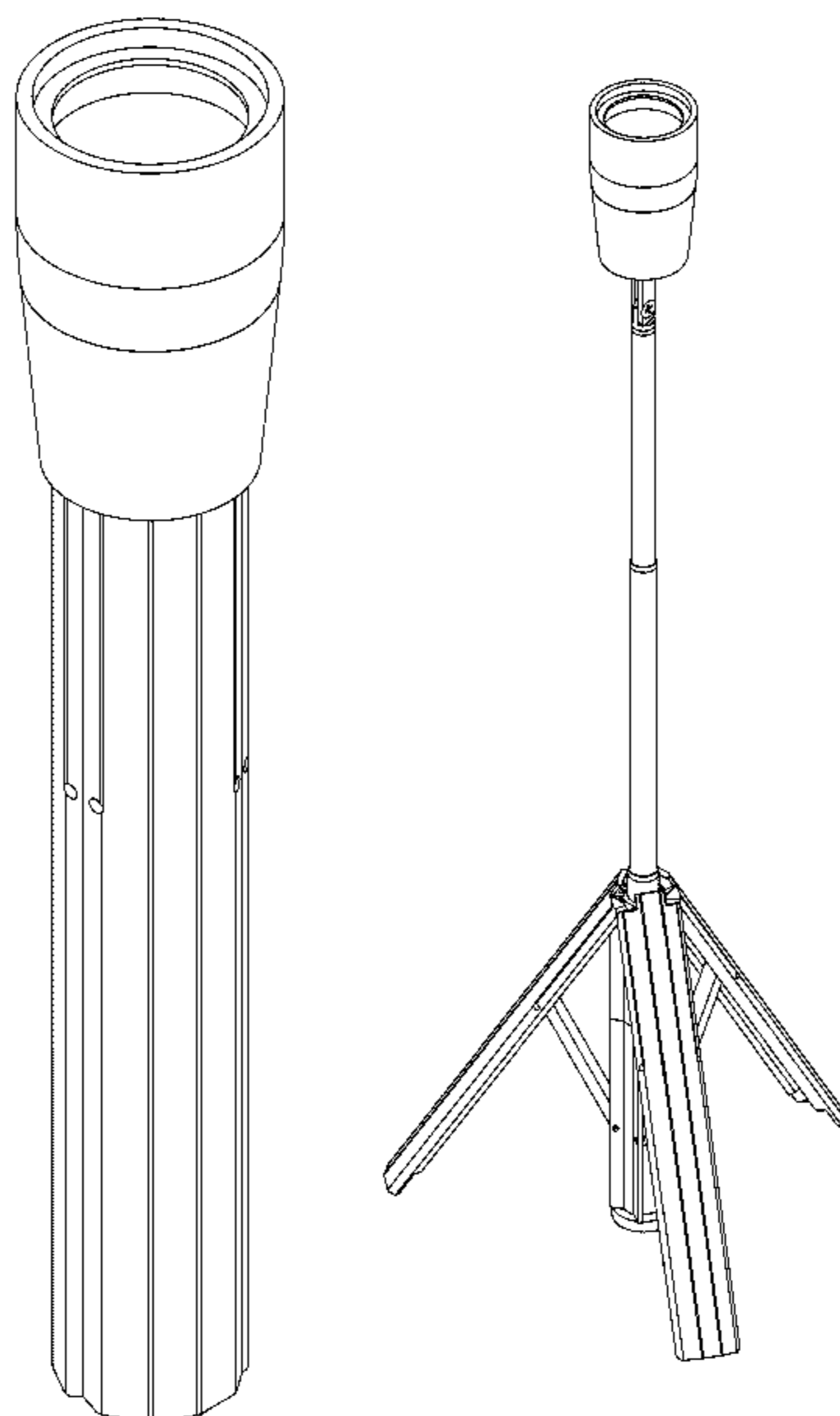
FIG. 9 is a bottom plan view of the convertible work light of FIG. 8.

FIG. 10 is a close-up view of the stand portion of the convertible work light of FIG. 8, with one leg removed to show detail of the stand portion. The stand portion of the convertible work light repeats its patterning and design as it is rotated 120°.

FIG. 11 is a front elevation of the head portion of the convertible work light of FIG. 8, the rear elevation being a mirror image thereof; and,

FIG. 12 is a left elevation of the head portion of FIG. 11, the right elevation being a mirror image thereof.

1 Claim, 5 Drawing Sheets



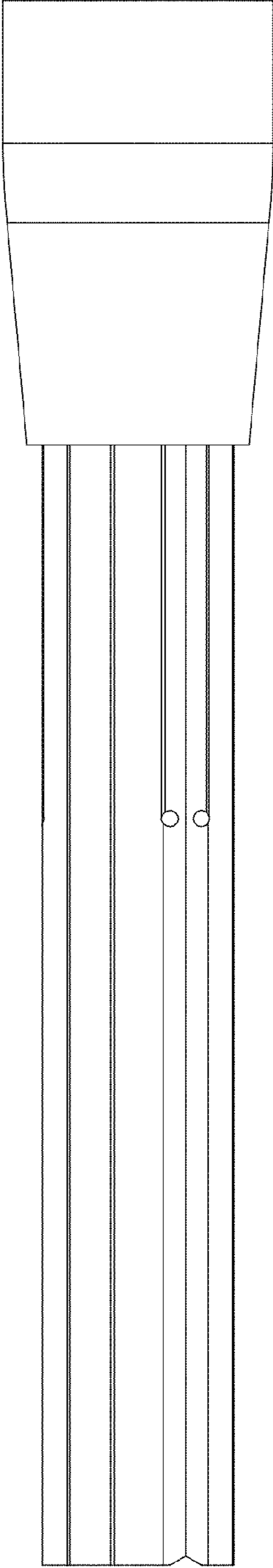


FIG. 1

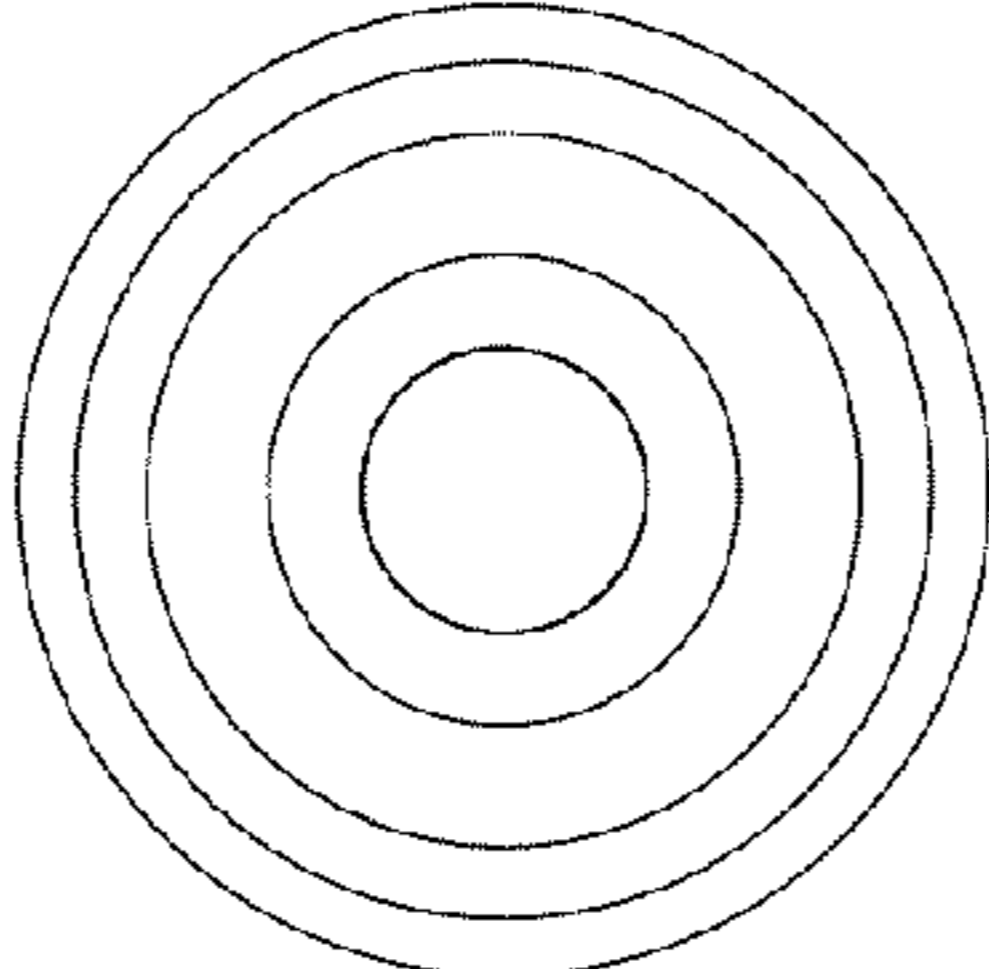


FIG. 3

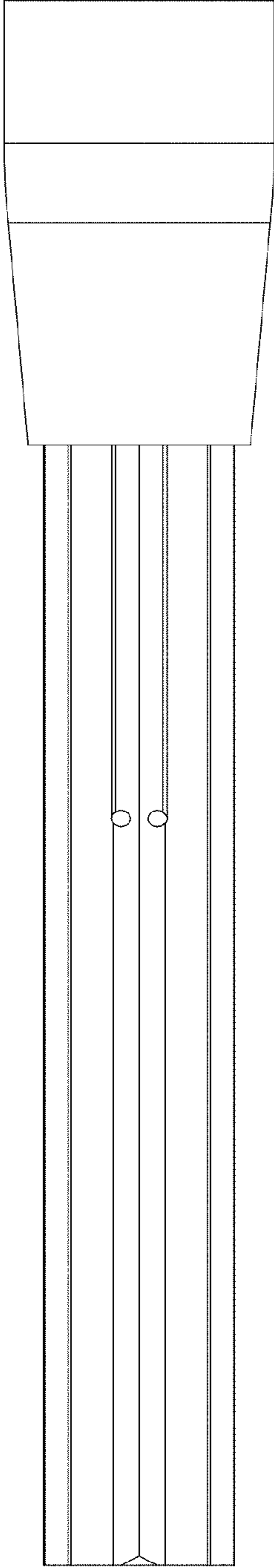


FIG. 2

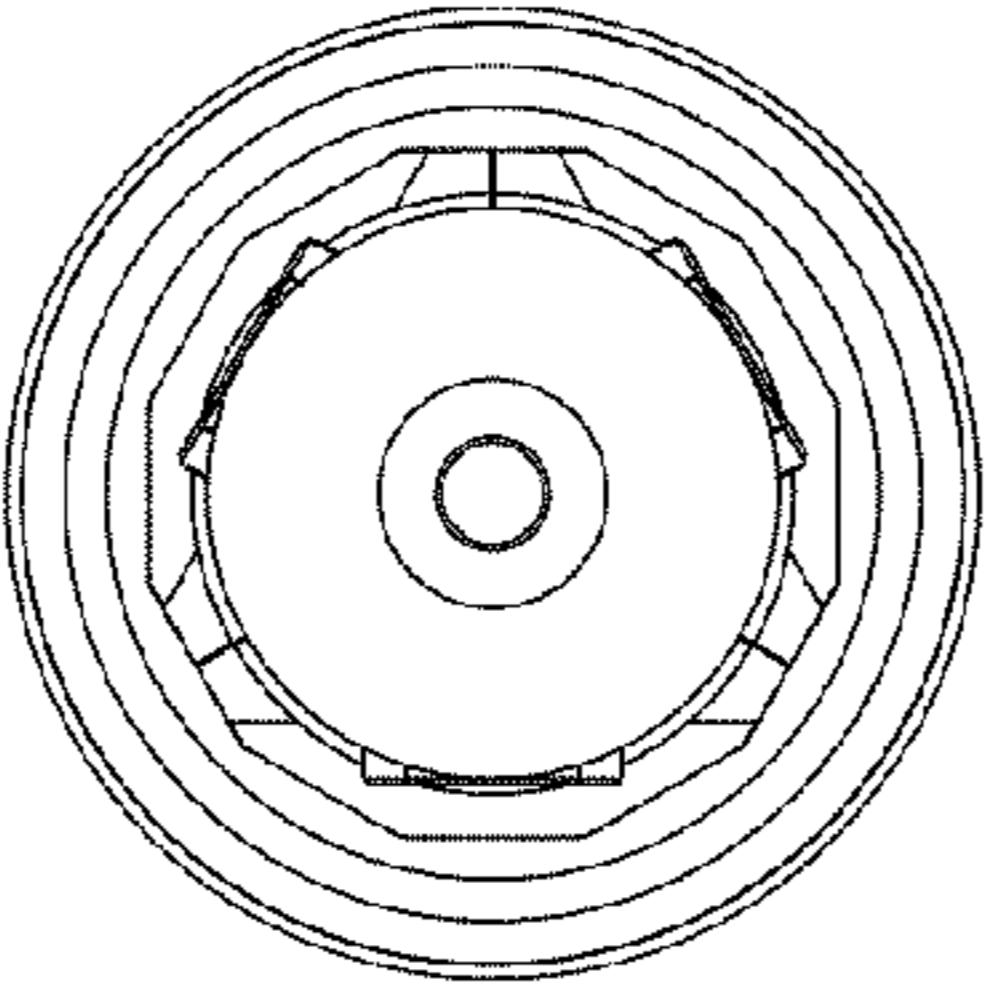


FIG. 4

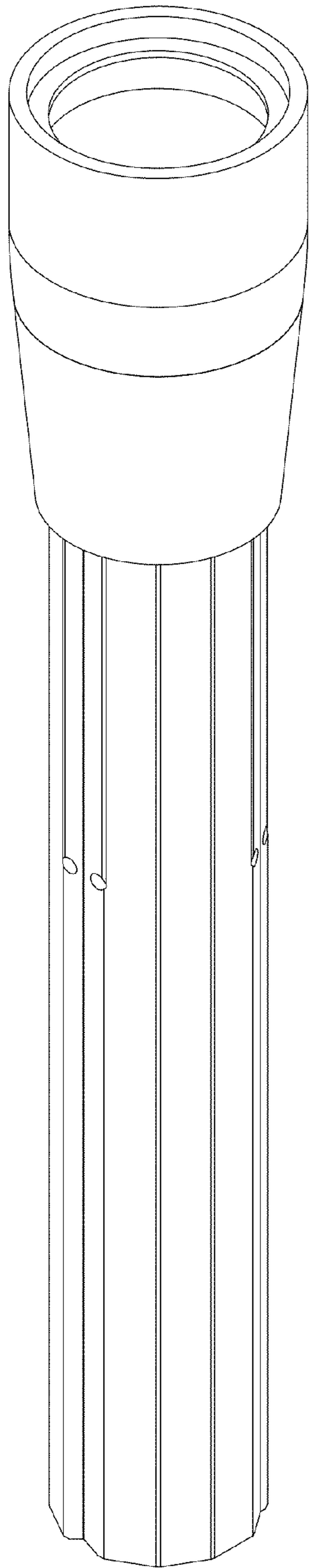


FIG. 5

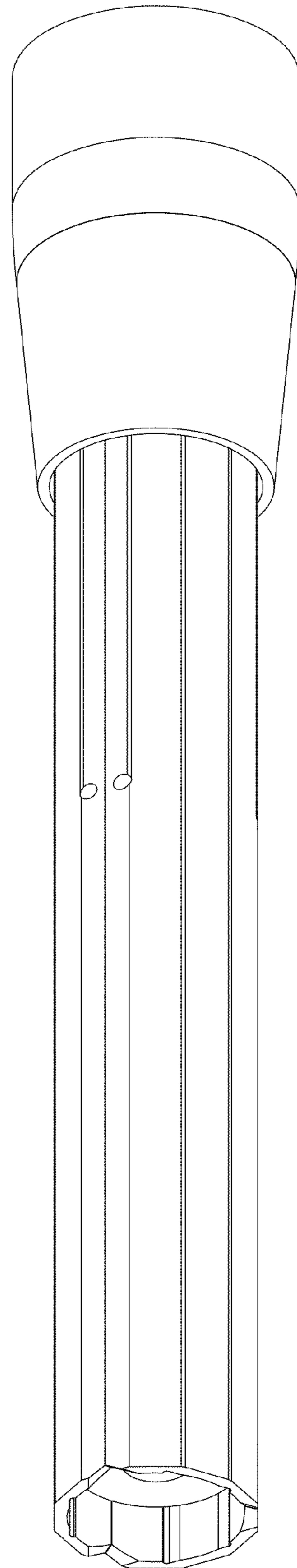
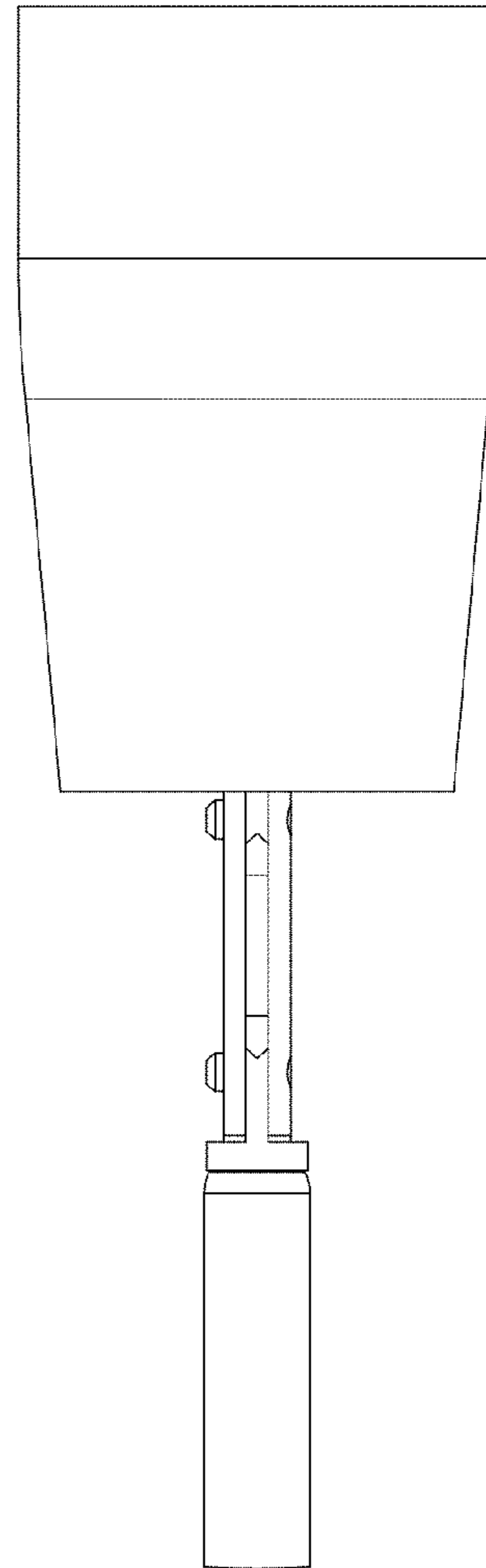
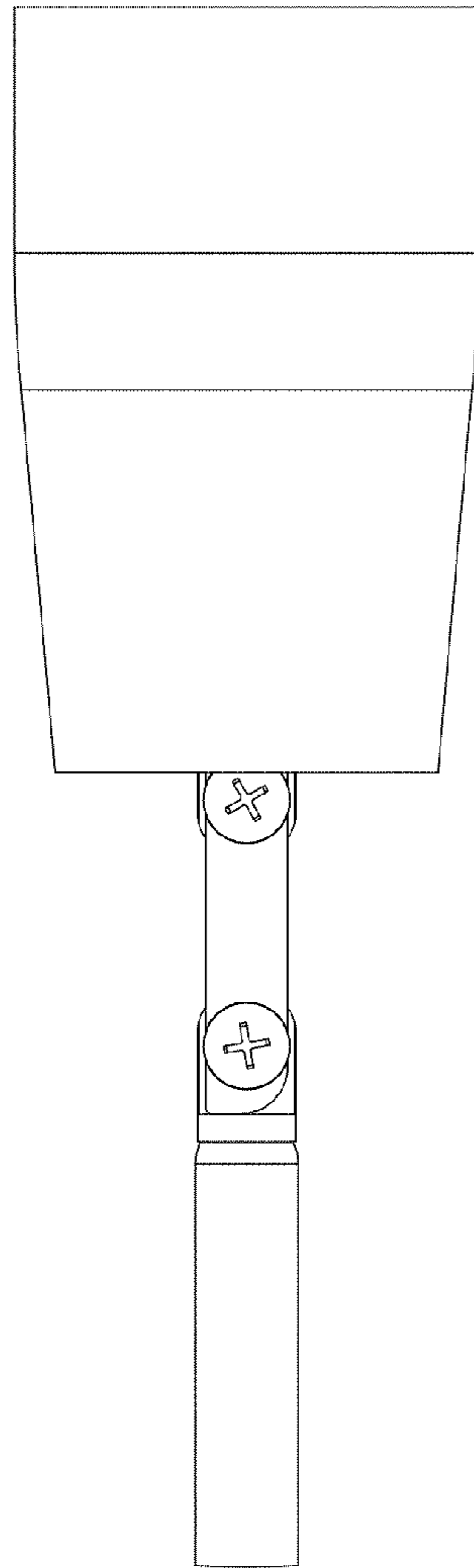
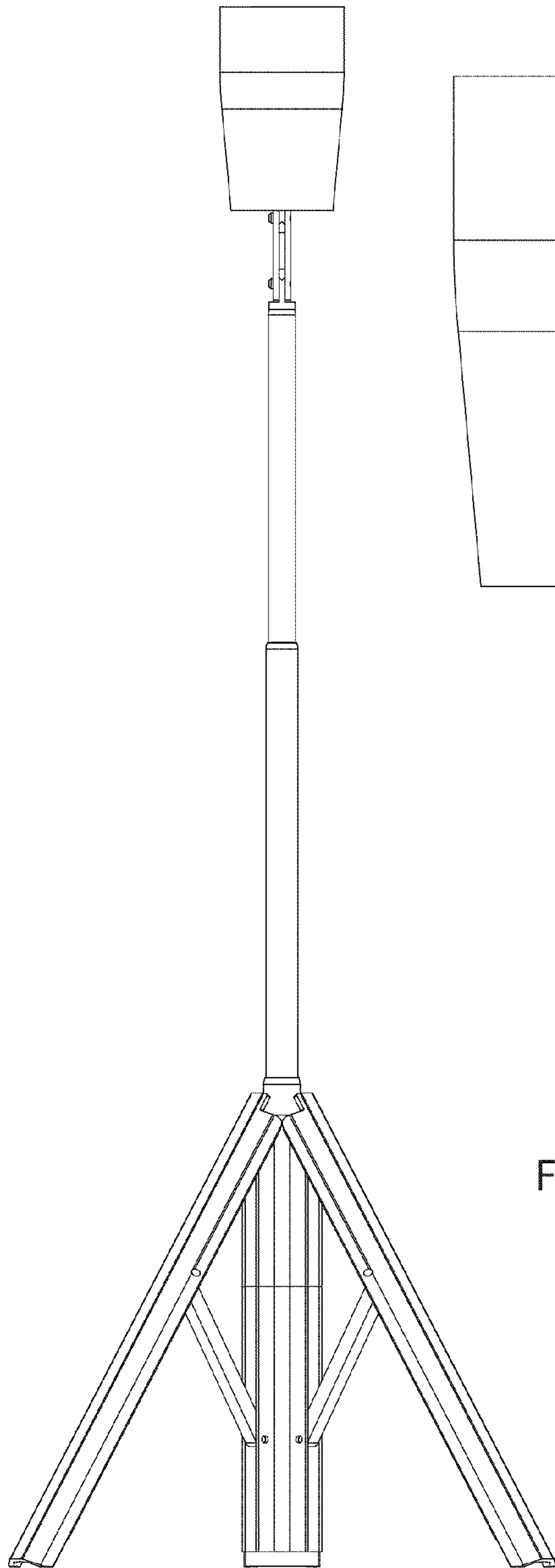


FIG. 6



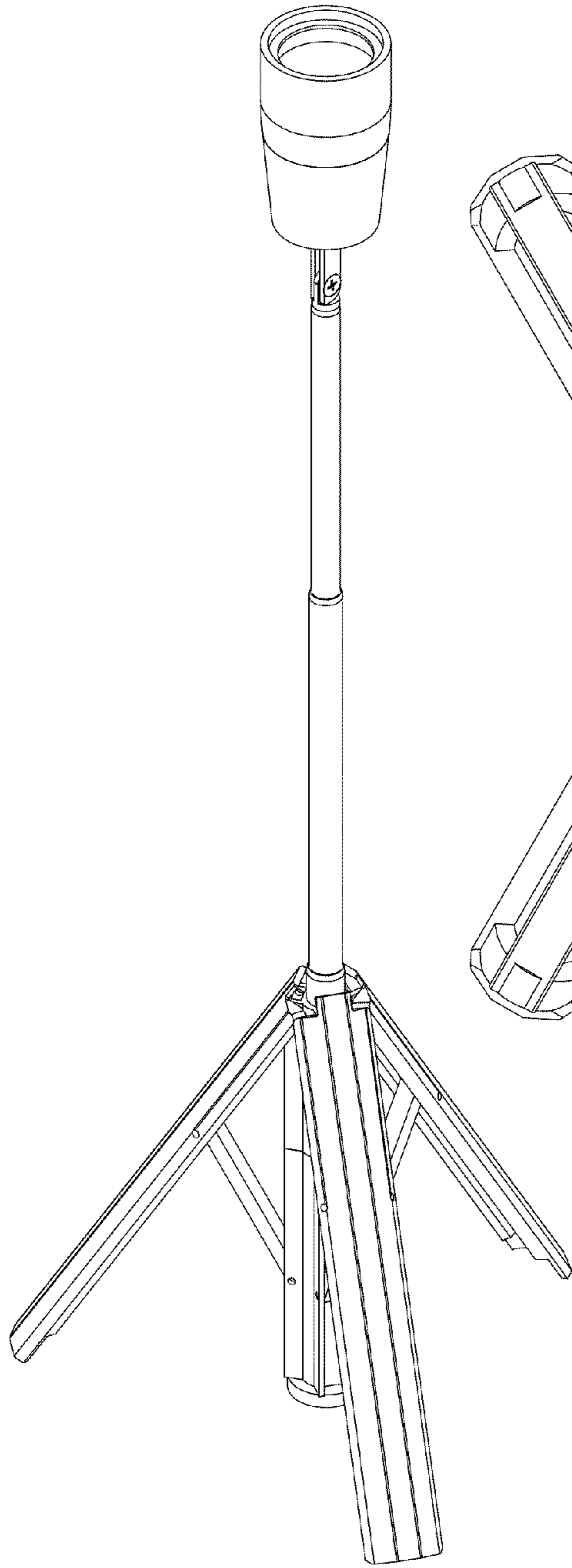


FIG. 8

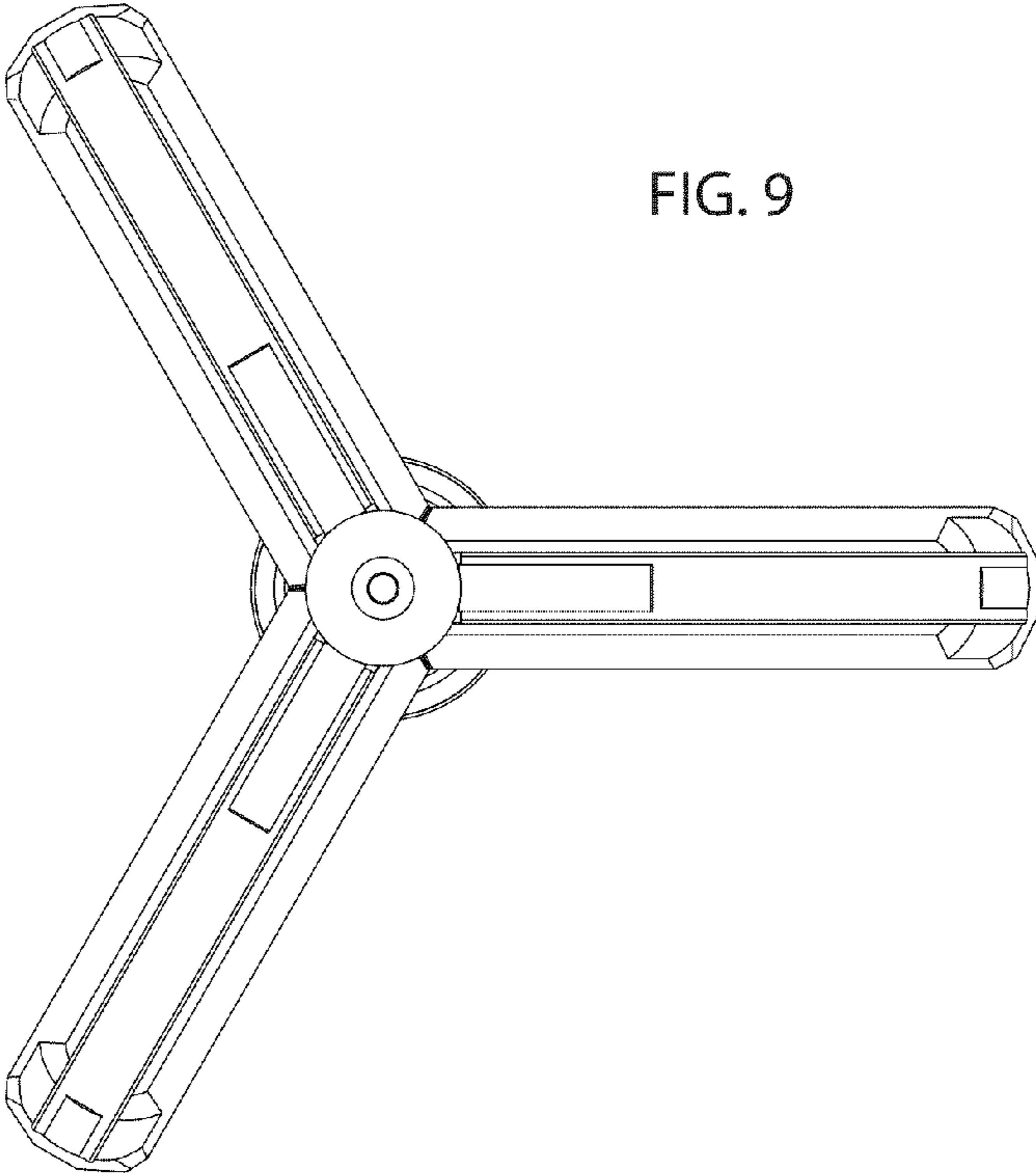


FIG. 9

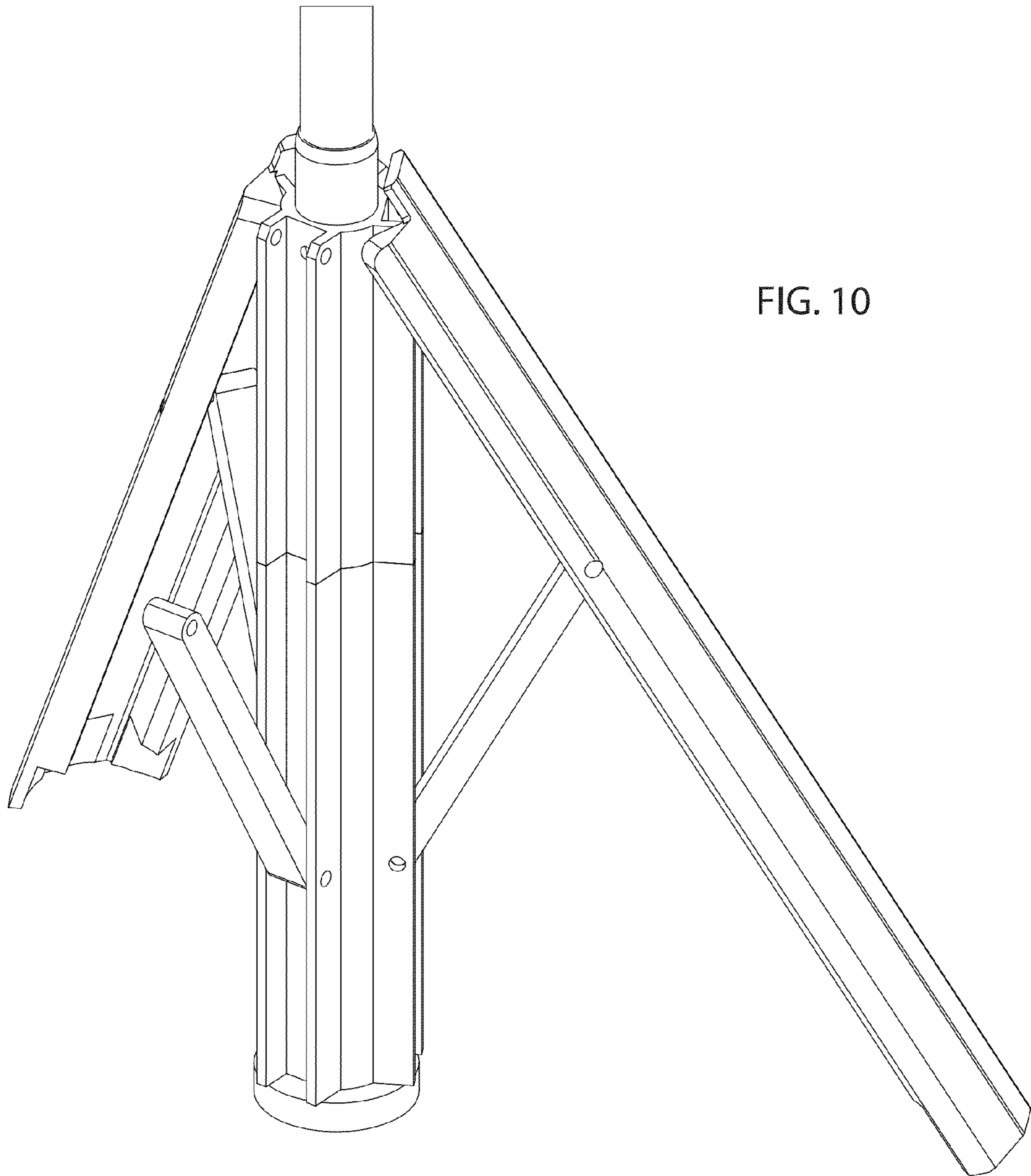


FIG. 10