



US00D639984S

(12) **United States Design Patent**
Stolte et al.

(10) **Patent No.:** **US D639,984 S**
(45) **Date of Patent:** **** Jun. 14, 2011**

- (54) **HORIZONTAL RECTANGULAR WALL-MOUNTED NIGHTLIGHT**
- (75) Inventors: **Brandon Stolte**, Lindenhurst, IL (US);
Dawn Grandsart, Chicago, IL (US)
- (73) Assignee: **Kenall Manufacturing**, Gurnee, IL (US)
- (**) Term: **14 Years**
- (21) Appl. No.: **29/361,554**
- (22) Filed: **May 12, 2010**
- (51) **LOC (9) Cl.** **26-05**
- (52) **U.S. Cl.** **D26/26**
- (58) **Field of Classification Search** D26/24,
D26/26, 37, 46, 72, 85, 87, 88, 89, 93, 104,
D26/113, 118, 1, 2, 3; D10/111, 114; D23/366,
D23/367, 368; D13/107, 108, 180, 182;
362/640, 641, 642, 643, 644, 652, 653, 655,
362/657, 249.02, 311.02, 800, 806, 555,
362/567, 116, 122, 123, 145, 147, 157, 183,
362/194, 195, 200
See application file for complete search history.

(56) **References Cited**

U.S. PATENT DOCUMENTS

D376,436 S	*	12/1996	Emmerling	D26/26
D377,535 S	*	1/1997	Shulman	D26/26
D403,442 S	*	12/1998	Joss	D26/26
D426,657 S	*	6/2000	Joss	D26/26
D426,904 S	*	6/2000	Simon	D26/26
D429,829 S	*	8/2000	Doran	D26/26
D435,124 S	*	12/2000	Yuen	D26/26

6,250,773 B1	*	6/2001	Lai	362/641
D449,700 S	*	10/2001	Liu et al.	D26/26
D524,461 S	*	7/2006	Molenaar et al.	D26/26
D526,422 S	*	8/2006	Yuen	D26/26
D618,833 S	*	6/2010	Wei	D26/26
2002/0163796 A1	*	11/2002	Dickie et al.	362/84

* cited by examiner

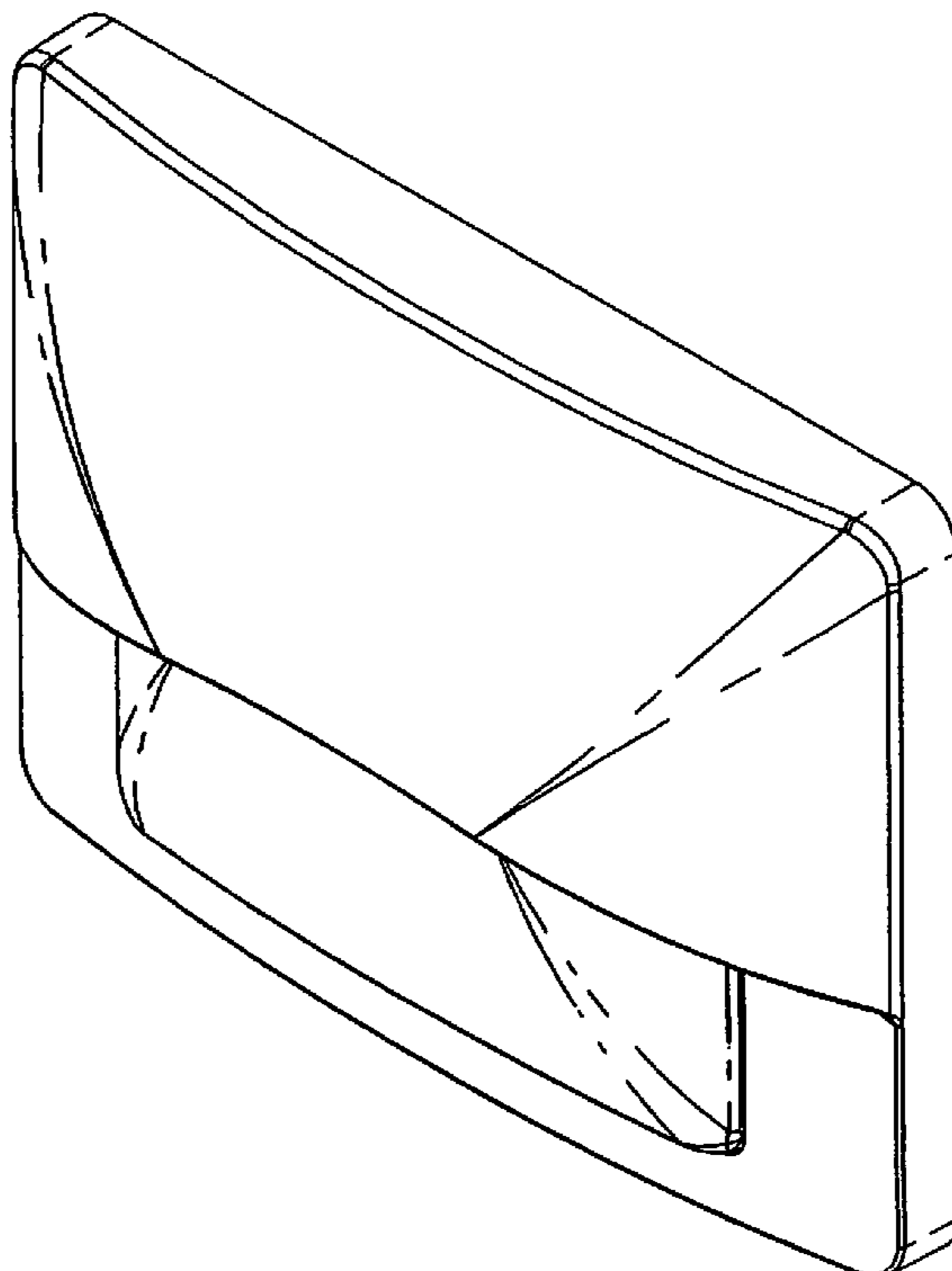
Primary Examiner — Angela J Lee
(74) *Attorney, Agent, or Firm* — Jansson Shupe & Munger Ltd.

(57) **CLAIM**
The ornamental design for a horizontal rectangular wall-mounted nightlight, as shown and described.

DESCRIPTION

FIG. 1 is a perspective view of the horizontal rectangular wall-mounted nightlight;
 FIG. 2 is a right-side elevation of the horizontal rectangular wall-mounted nightlight of FIG. 1, the mounting portion in the back of the nightlight being shown in phantom lines, a left-side elevation is a mirror image thereof;
 FIG. 3 is a bottom plan view of the horizontal rectangular wall-mounted nightlight of FIG. 1, the mounting portion in the back and bottom of the nightlight being shown in phantom lines;
 FIG. 4 is a top plan view of the horizontal rectangular wall-mounted nightlight of FIG. 1, the mounting portion in the back of the nightlight being shown in phantom lines; and,
 FIG. 5 is a front elevation of the horizontal rectangular wall-mounted nightlight of FIG. 1.
 The phantom lines illustrate environmental elements and form no part of the claimed design.

1 Claim, 2 Drawing Sheets



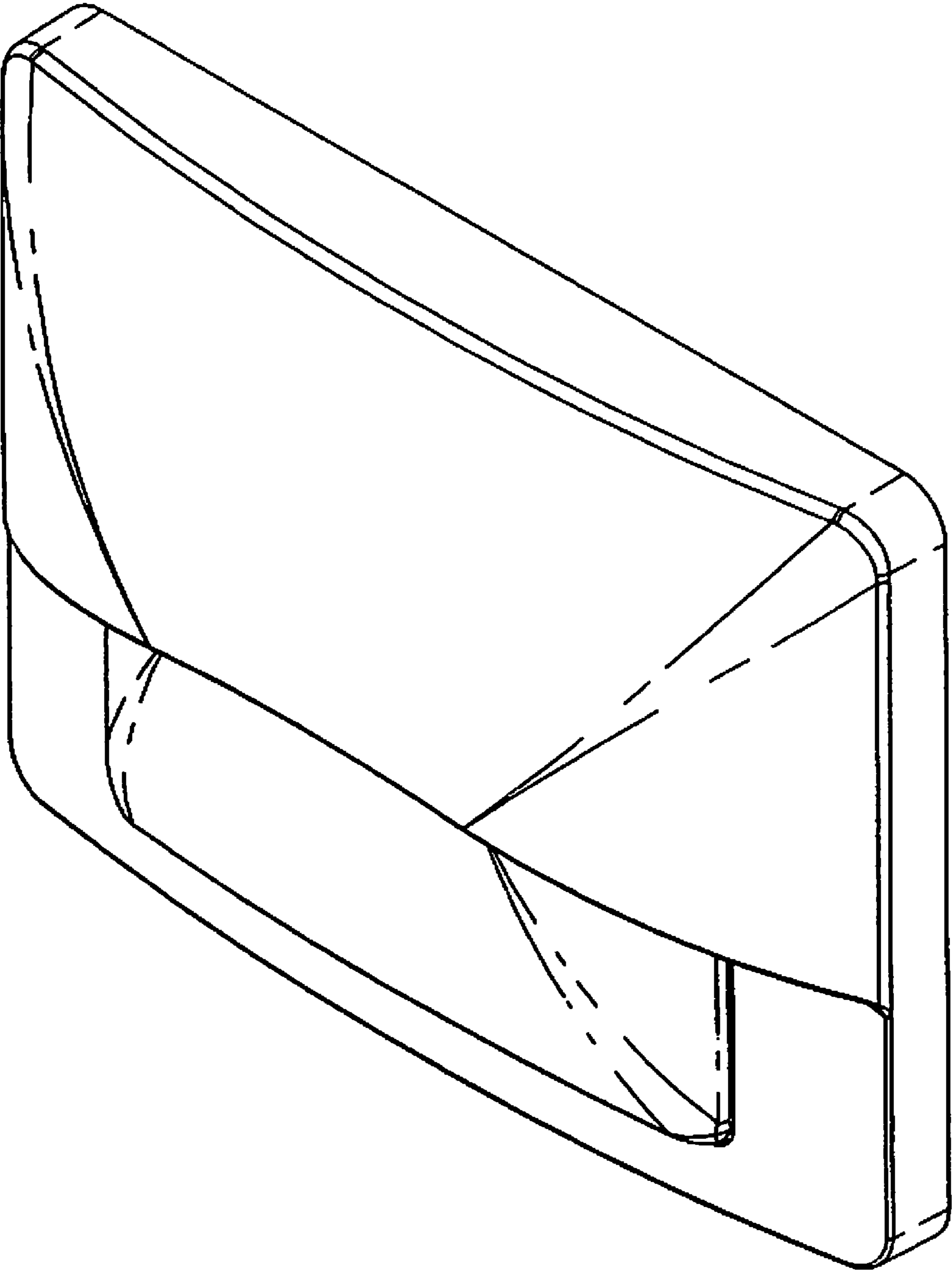


FIG. 1

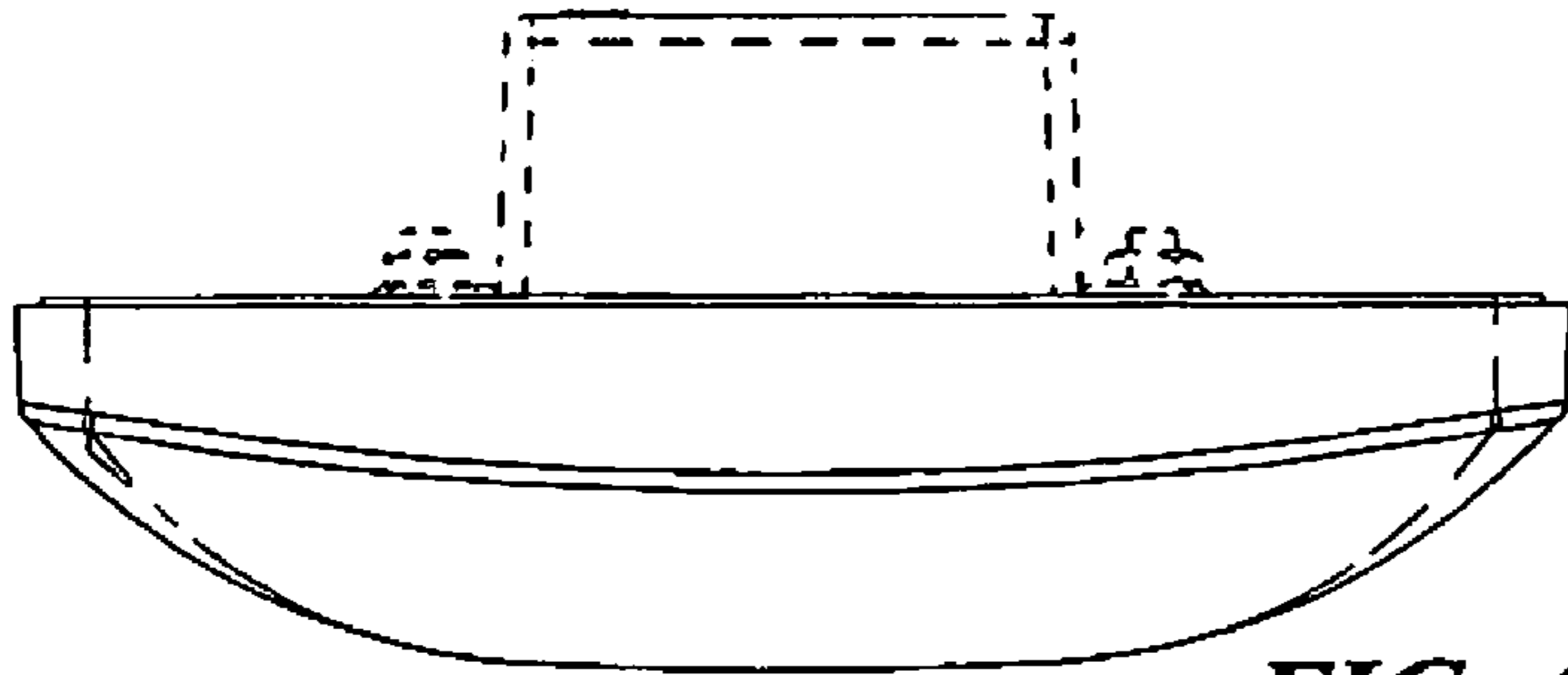


FIG. 4

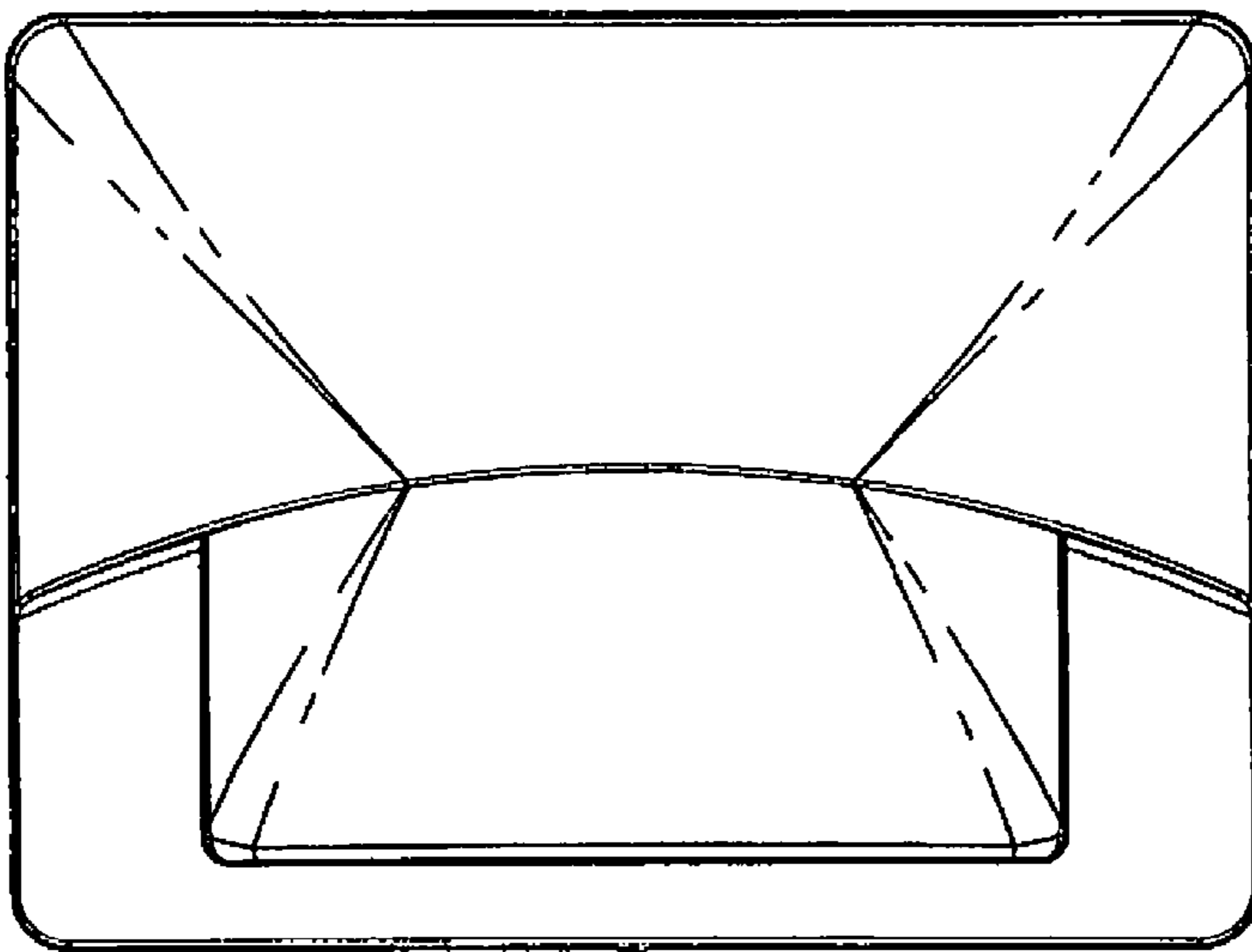


FIG. 5

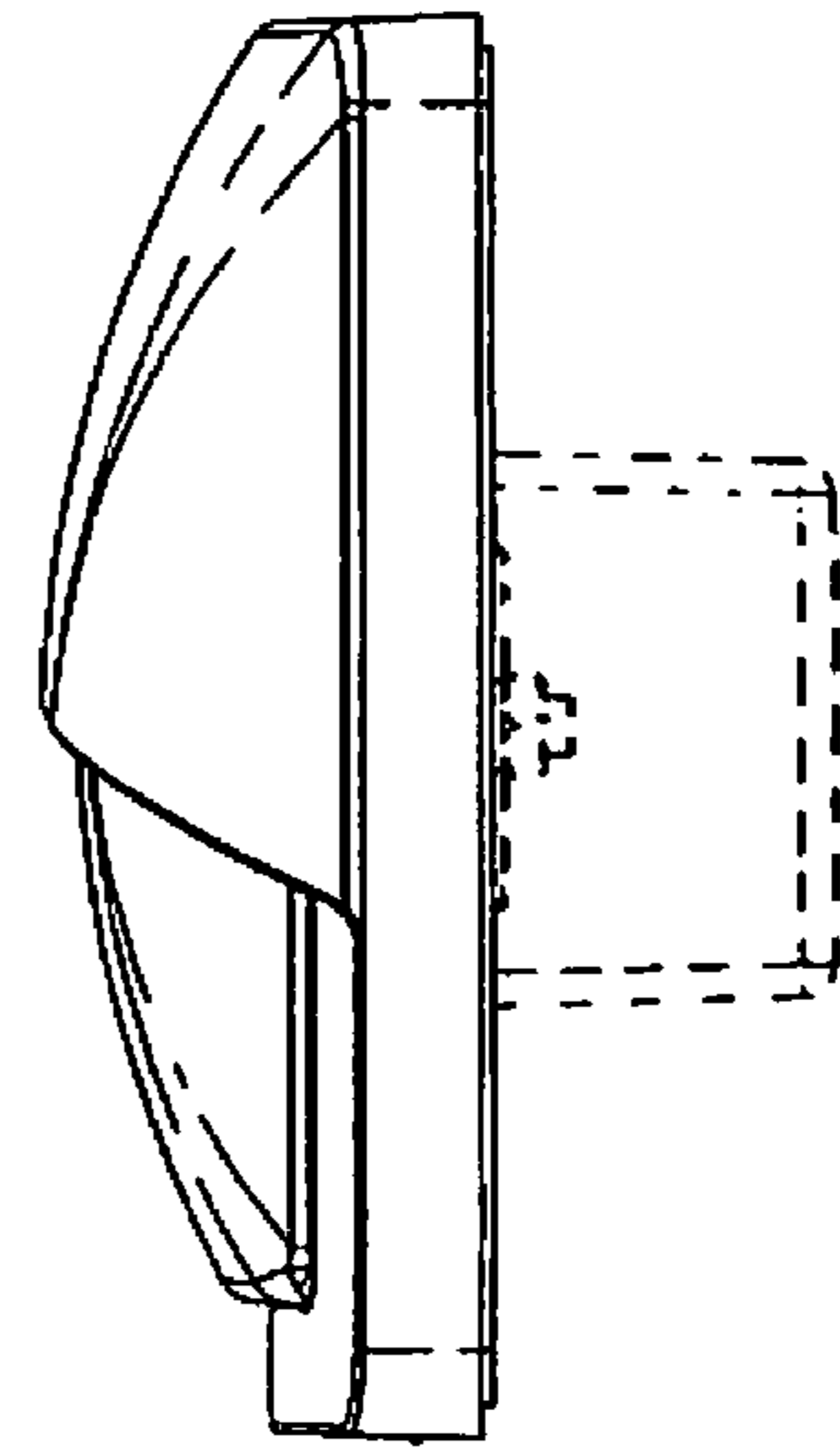


FIG. 2

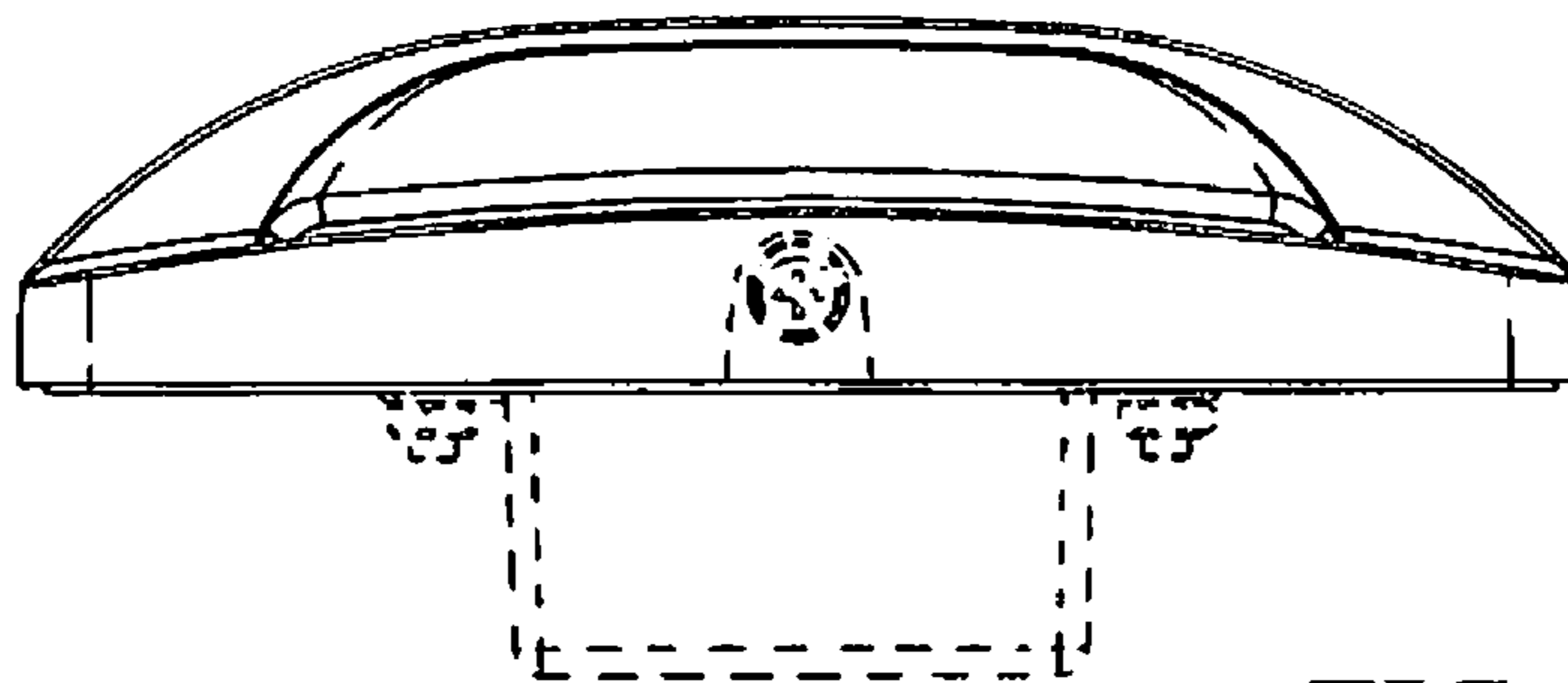


FIG. 3