



US00D639983S

(12) **United States Design Patent**  
**Quadri**

(10) **Patent No.:** **US D639,983 S**  
(45) **Date of Patent:** **\*\* Jun. 14, 2011**

(54) **LIGHT PROJECTOR**

(75) Inventor: **Pasquale Quadri**, Torre de' Roveri (IT)

(73) Assignee: **Clay Paky S.p.A.**, Seriate (IT)

(\*\*) Term: **14 Years**

(21) Appl. No.: **29/333,132**

(22) Filed: **Mar. 3, 2009**

(30) **Foreign Application Priority Data**

Sep. 5, 2008 (EM) ..... 000998067-0001

(51) **LOC (9) Cl.** ..... **26-05**

(52) **U.S. Cl.** ..... **D26/24; D26/61**

(58) **Field of Classification Search** ..... D26/24,  
D26/61, 63, 64, 65, 66; D16/221, 230, 232;  
362/269, 270, 275, 285, 287

See application file for complete search history.

(56) **References Cited**

**U.S. PATENT DOCUMENTS**

D324,431	S	*	3/1992	Richardson et al.	.....	D26/63
5,176,442	A	*	1/1993	Richardson	.....	362/286
D372,550	S	*	8/1996	Stultz	.....	D26/63
6,817,737	B2	*	11/2004	Romano et al.	.....	362/293
6,955,447	B2	*	10/2005	Lui	.....	362/233
D537,549	S	*	2/2007	Bleicher	.....	D26/24
D558,252	S	*	12/2007	Matsumiya et al.	.....	D16/221
D605,339	S	*	12/2009	Quadri	.....	D26/118

D612,532	S	*	3/2010	Toft	.....	D26/138
D618,377	S	*	6/2010	Toft	.....	D26/93
D620,187	S	*	7/2010	Quadri	.....	D26/113
7,789,525	B2	*	9/2010	Vinther	.....	362/190
2008/0062692	A1	*	3/2008	Andersen et al.	.....	362/275
2009/0323364	A1	*	12/2009	Bornhorst et al.	.....	362/418

**FOREIGN PATENT DOCUMENTS**

EM	000398474-0001	*	10/2005
EM	000918891-0001	*	4/2008

\* cited by examiner

*Primary Examiner* — Angela J Lee

(74) *Attorney, Agent, or Firm* — Workman Nydegger

(57) **CLAIM**

The ornamental design for a light projector, as shown and described.

**DESCRIPTION**

FIG. 1 is a perspective view of a light projector showing the new design;

FIG. 2 is a front elevational view thereof;

FIG. 3 is a rear elevational view thereof;

FIG. 4 is a right side elevational view thereof;

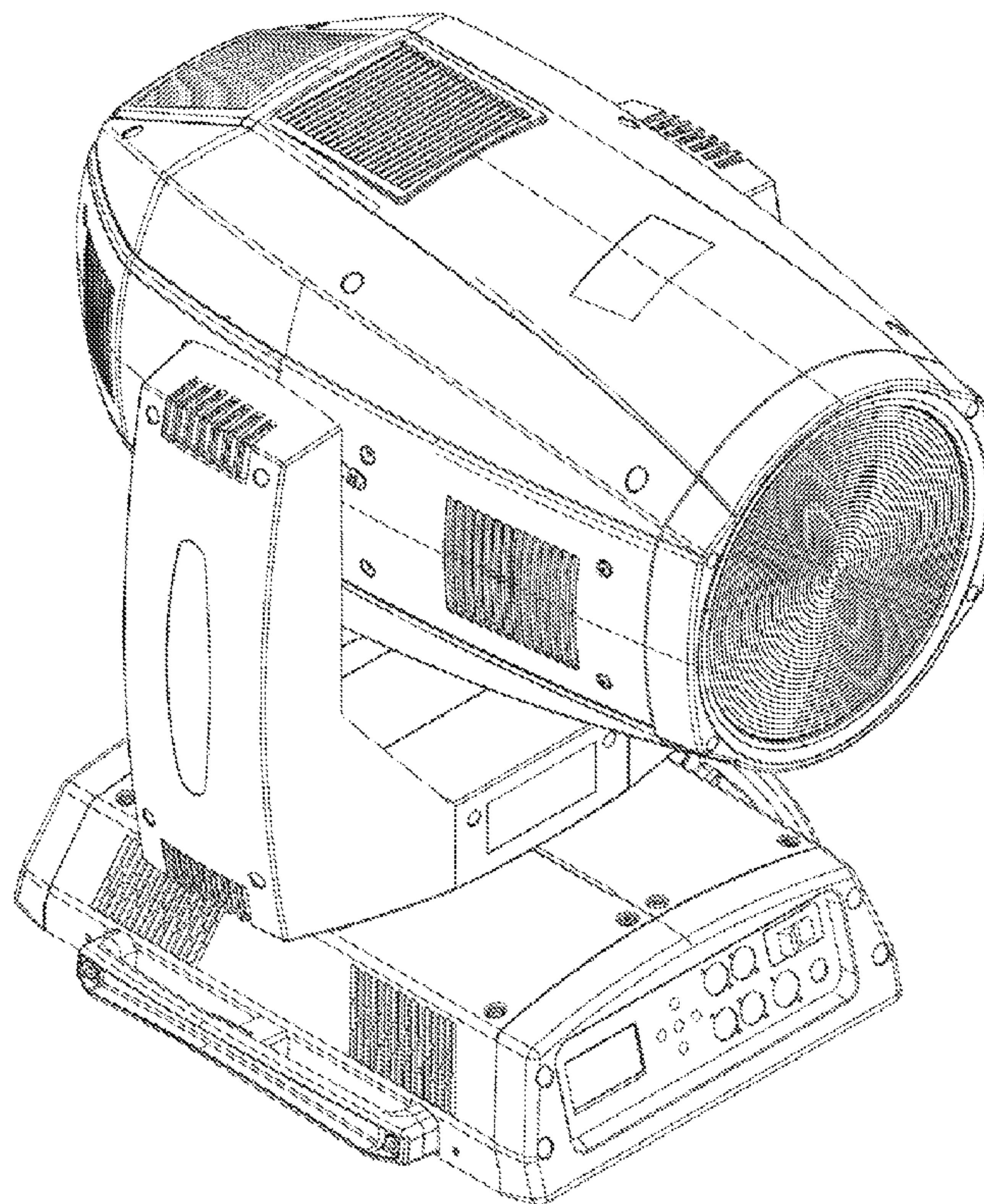
FIG. 5 is a left side elevational view thereof;

FIG. 6 is a top plan view thereof; and,

FIG. 7 is a bottom plan view thereof.

The portions of the light projector shown in broken lines form no part of the claimed design.

**1 Claim, 7 Drawing Sheets**





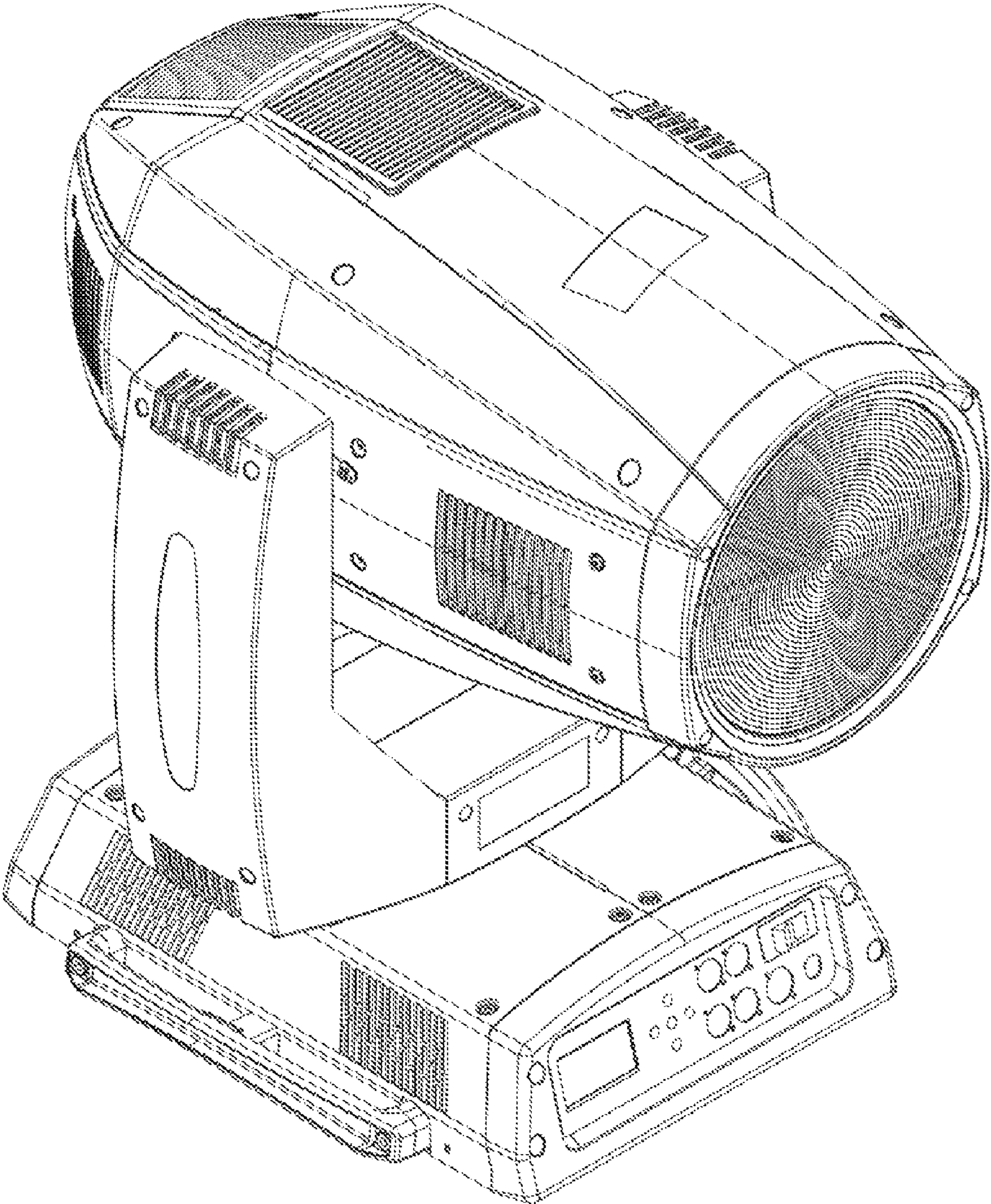


FIG. 1

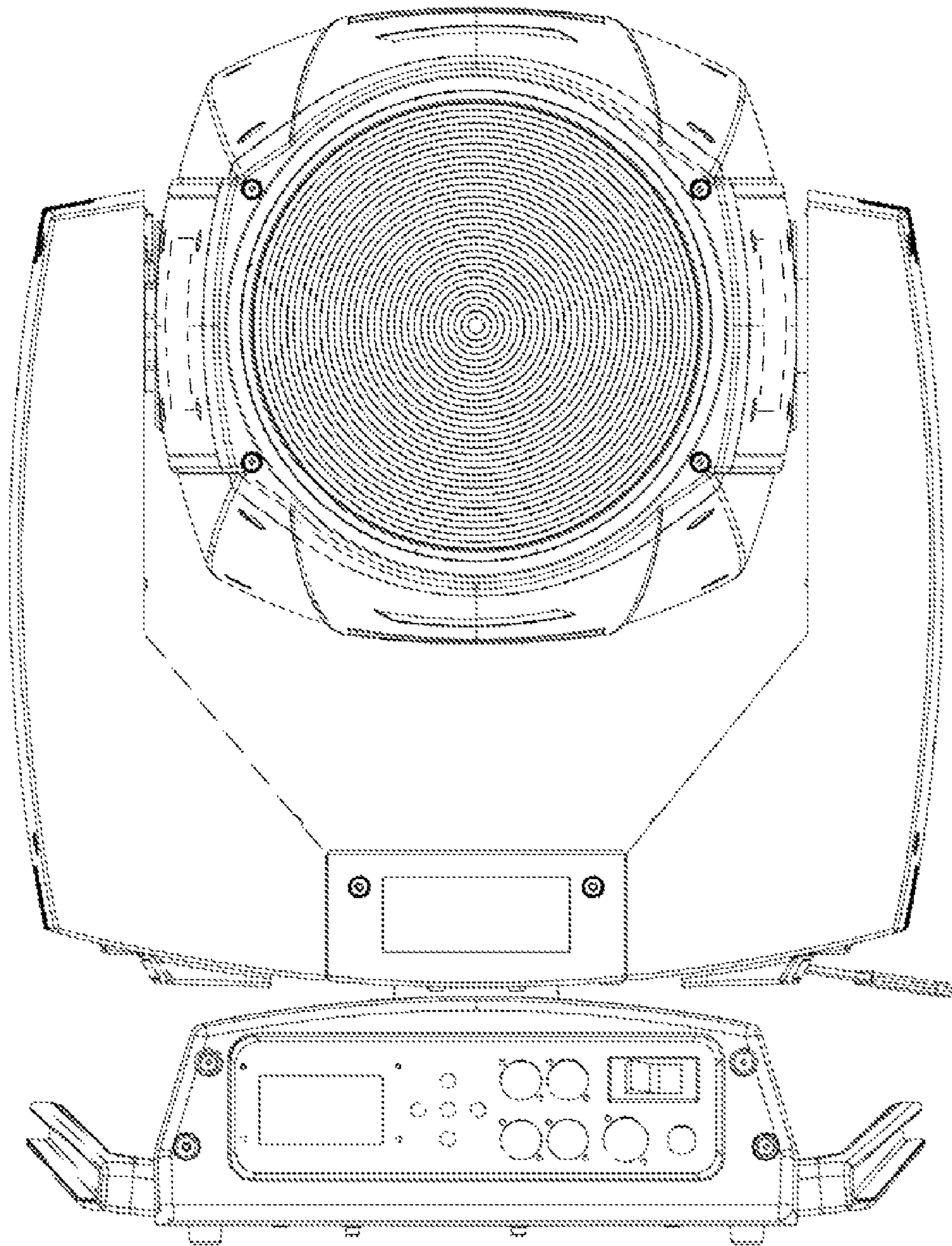


FIG. 2



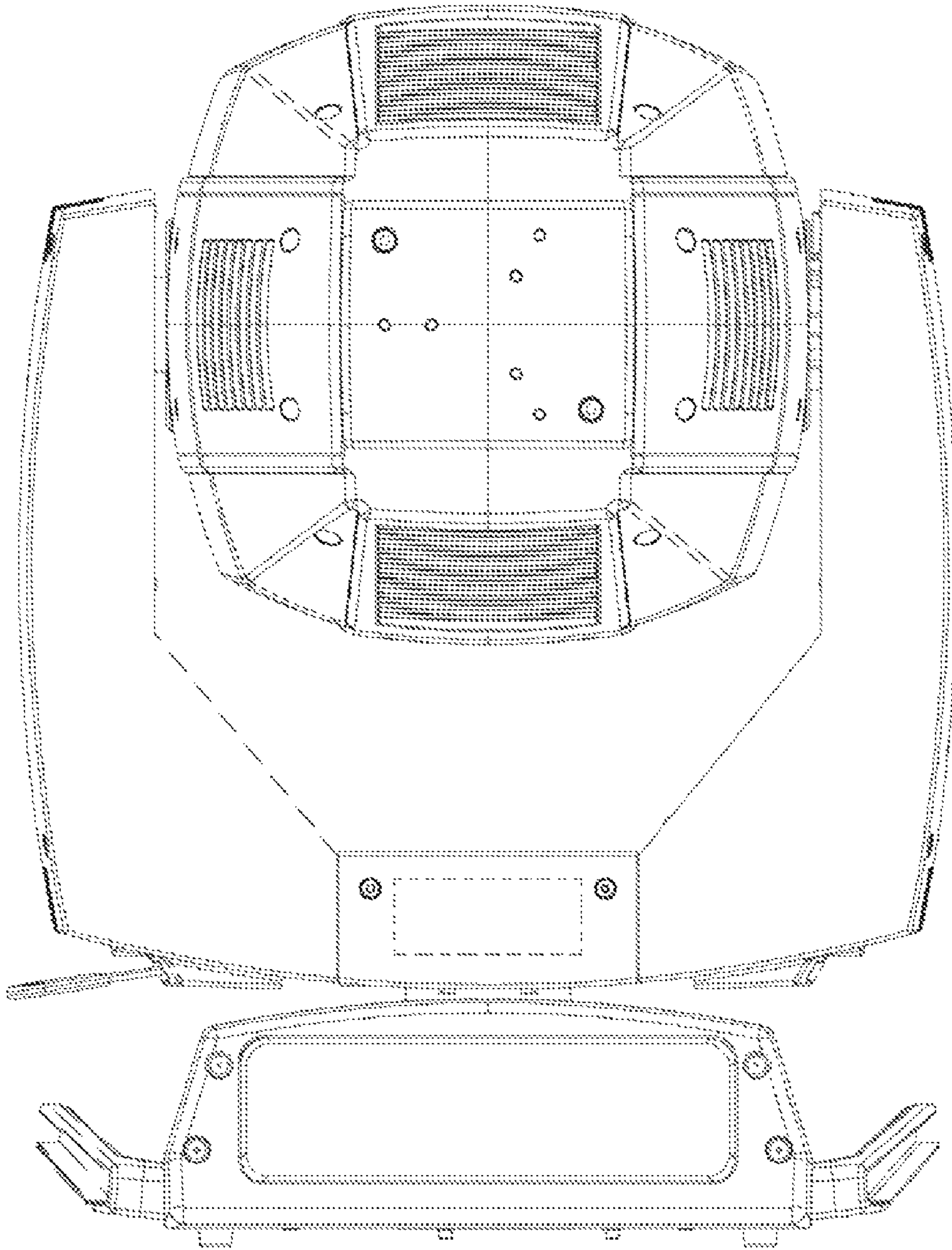


FIG. 3

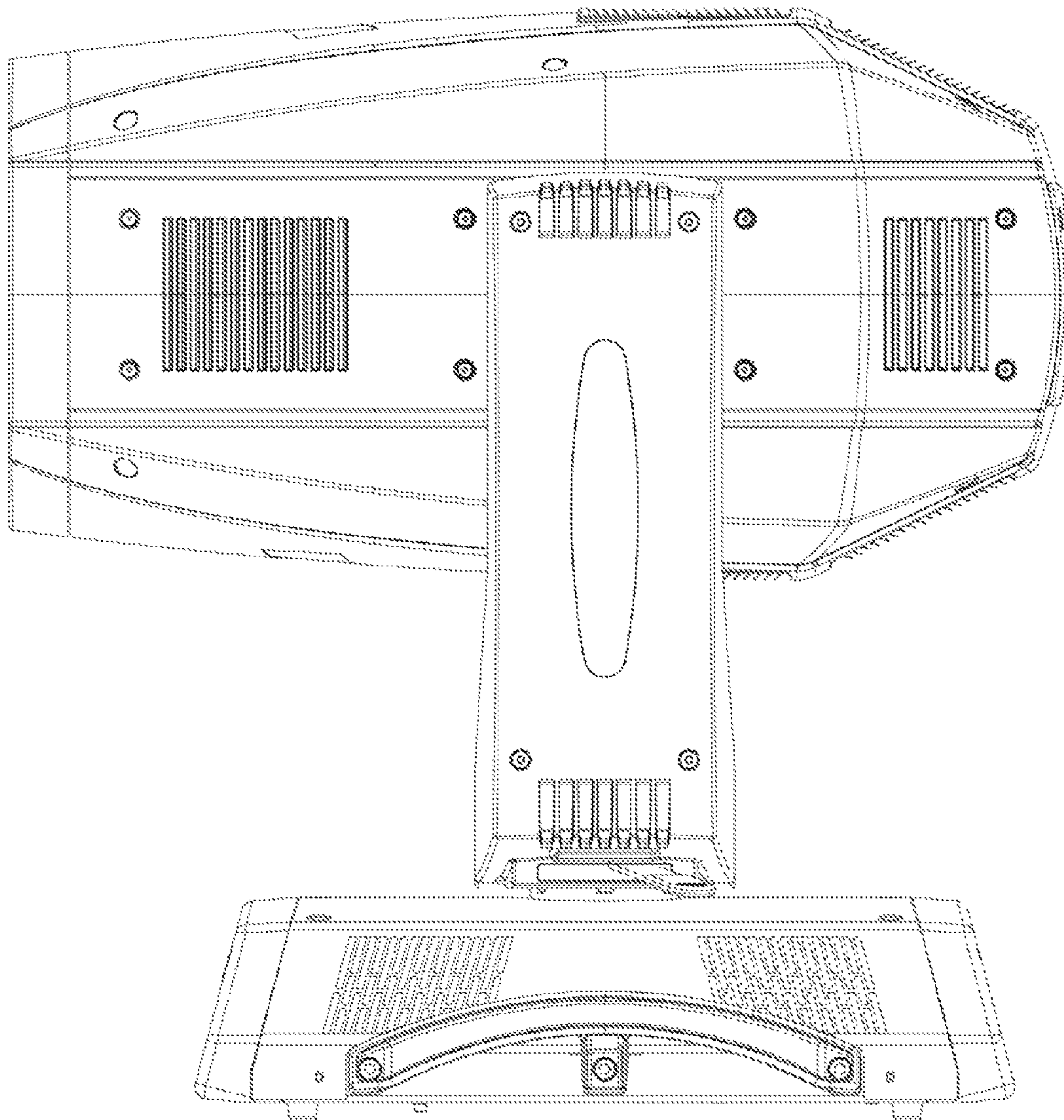


FIG. 4

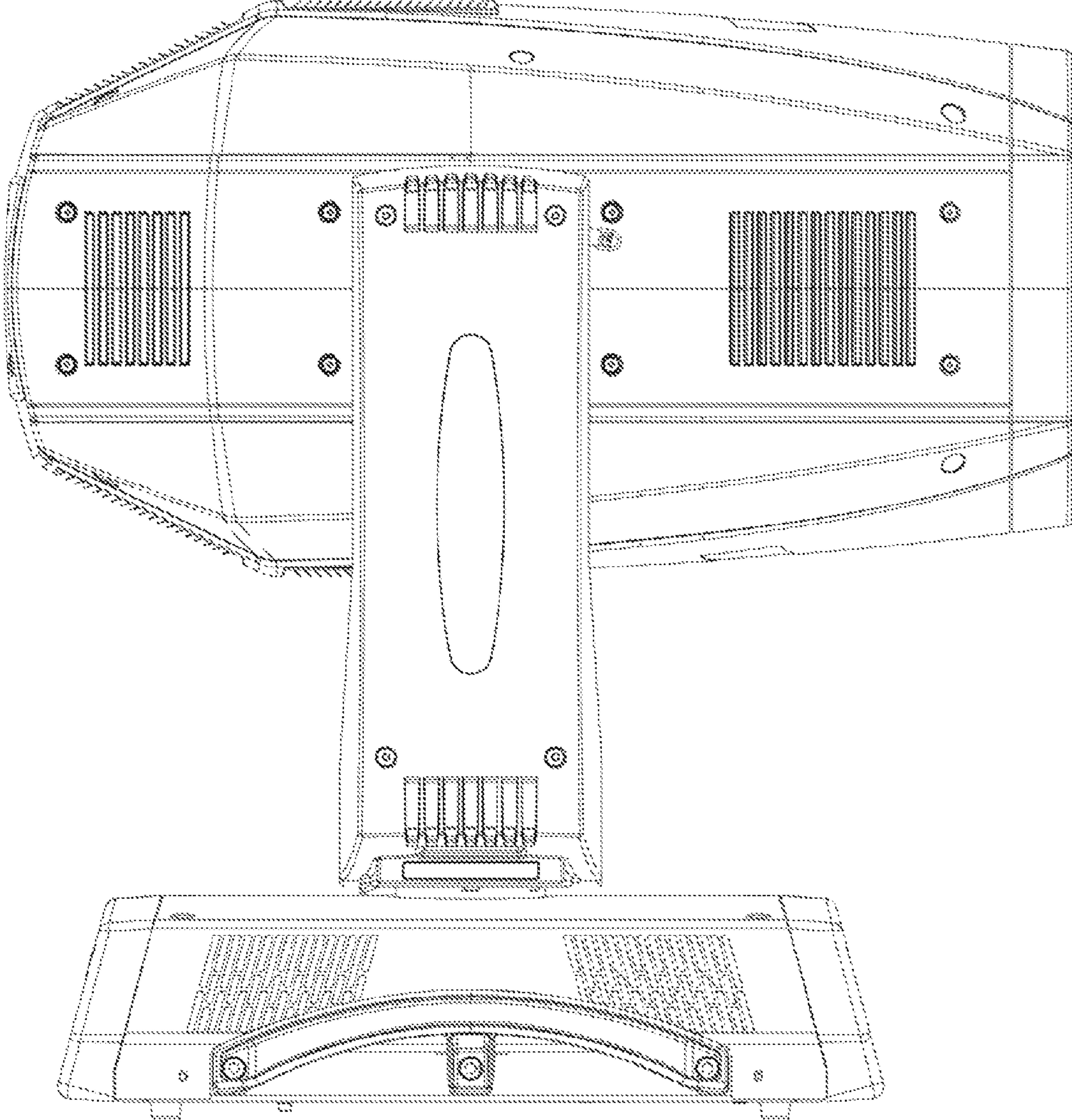


FIG. 5



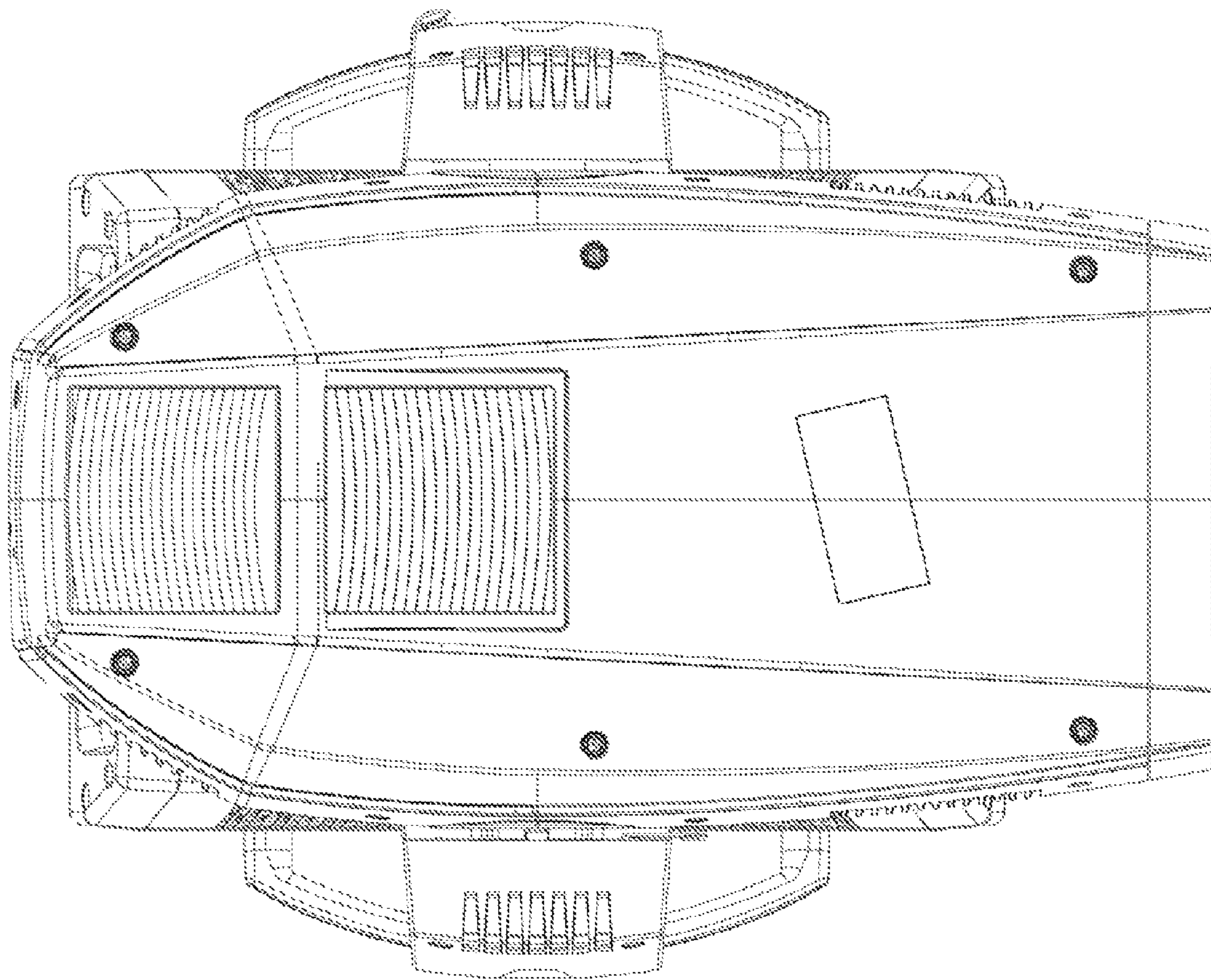


FIG. 6

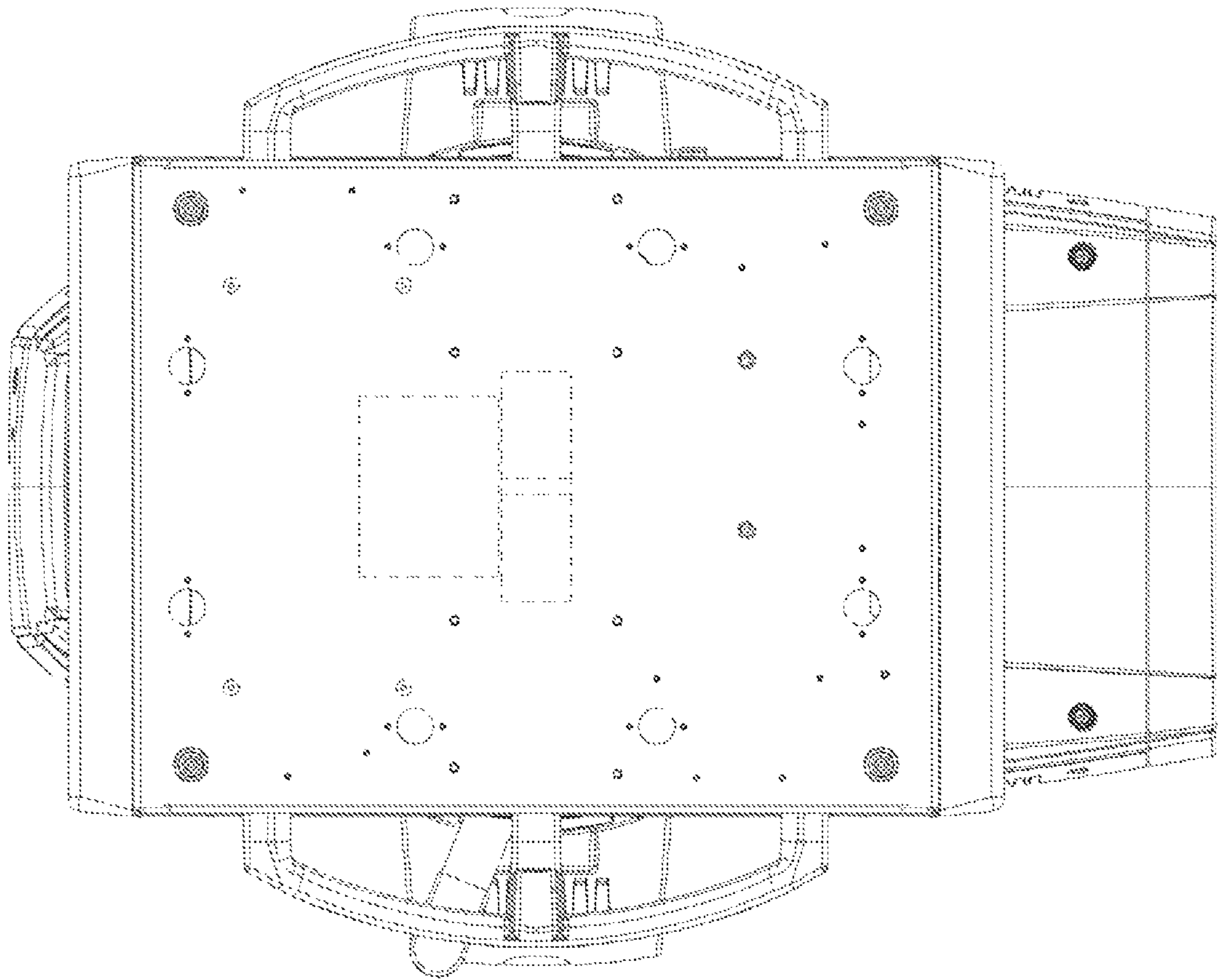


FIG. 7