



US00D639980S

(12) **United States Design Patent**
Davis et al.

(10) **Patent No.:** **US D639,980 S**

(45) **Date of Patent:** **** Jun. 14, 2011**

(54) **CHROMATOGRAPHY COLUMN**

(75) Inventors: **John Davis**, Cardiff (GB); **Stefan Kjell Eriksson**, Uppsala (SE)

(73) Assignee: **GE Healthcare Bio-Sciences AB**, Uppsala (SE)

(**) Term: **14 Years**

(21) Appl. No.: **29/299,165**

(22) Filed: **Dec. 20, 2007**

(30) **Foreign Application Priority Data**

Jul. 5, 2007 (EM) 000754122

(51) **LOC (9) Cl.** **24-01**

(52) **U.S. Cl.** **D24/233**

(58) **Field of Classification Search** D24/224,
D24/232, 233; D10/81; 96/101; 210/198.2,
210/198.3, 656

See application file for complete search history.

(56) **References Cited**

U.S. PATENT DOCUMENTS

D285,290 S *	8/1986	Shalon et al.	D10/81
D291,355 S *	8/1987	Stanuch et al.	D24/169
D320,949 S *	10/1991	Kopf	D10/81
6,140,551 A *	10/2000	Niemeyer et al.	604/367
D472,484 S *	4/2003	Connolly et al.	D10/81
D551,104 S *	9/2007	Wounder	D10/81
D569,008 S *	5/2008	Lundqvist et al.	D24/232
2006/0149209 A1 *	7/2006	Malchow et al.	604/389

* cited by examiner

Primary Examiner — T. Chase Nelson

Assistant Examiner — Michael Pratt

(74) *Attorney, Agent, or Firm* — Yonggang Ji

(57) **CLAIM**

The ornamental design for a chromatography column, as shown and described.

DESCRIPTION

FIG. 1 is a perspective view of the chromatography column in closed or lowered position showing our new design.

FIG. 2 is a front view of the chromatography column of FIG. 1

FIG. 3 is a back view of the chromatography column of FIG. 1.

FIG. 4 is a perspective view of the chromatography column of FIG. 1 in a first open or raised position.

FIG. 5 is a perspective view of the chromatography column of FIG. 1 in a second open or raised position.

FIG. 6 is a top plan view of the chromatography column of FIG. 1; and,

FIG. 7 is a bottom plan view of the chromatography column of FIG. 1.

The design for a chromatography column which has three powered cylinders for lifting the adapter assembly above the column tube, or lifting the column tube above the base assembly, to provide access to the interior of the column for maintenance purposes. This design obviates the need for heavy overhead lifting devices, such as a hoist or crane, to lift the adapter assembly or column tube.

1 Claim, 7 Drawing Sheets

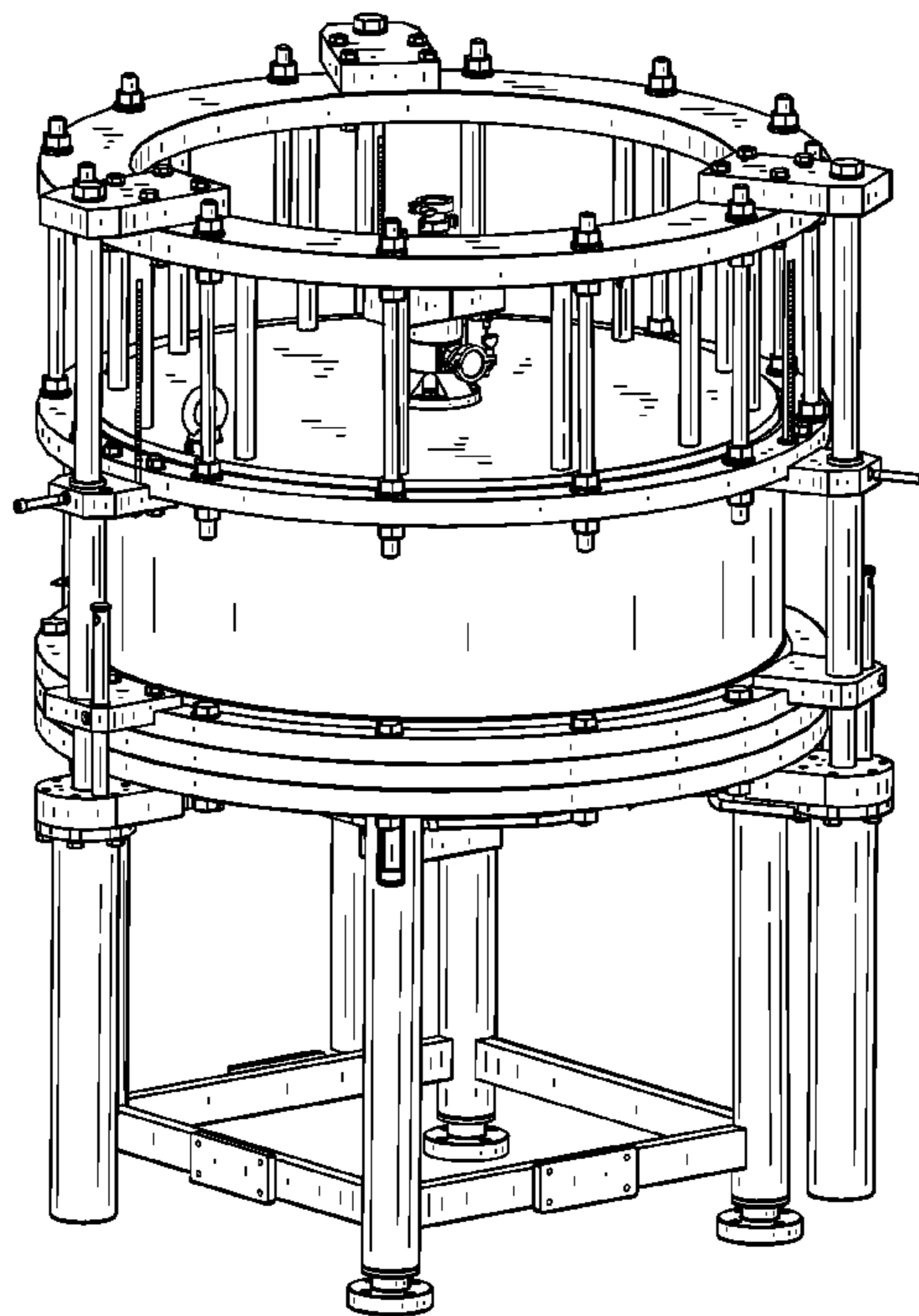


FIG. 1

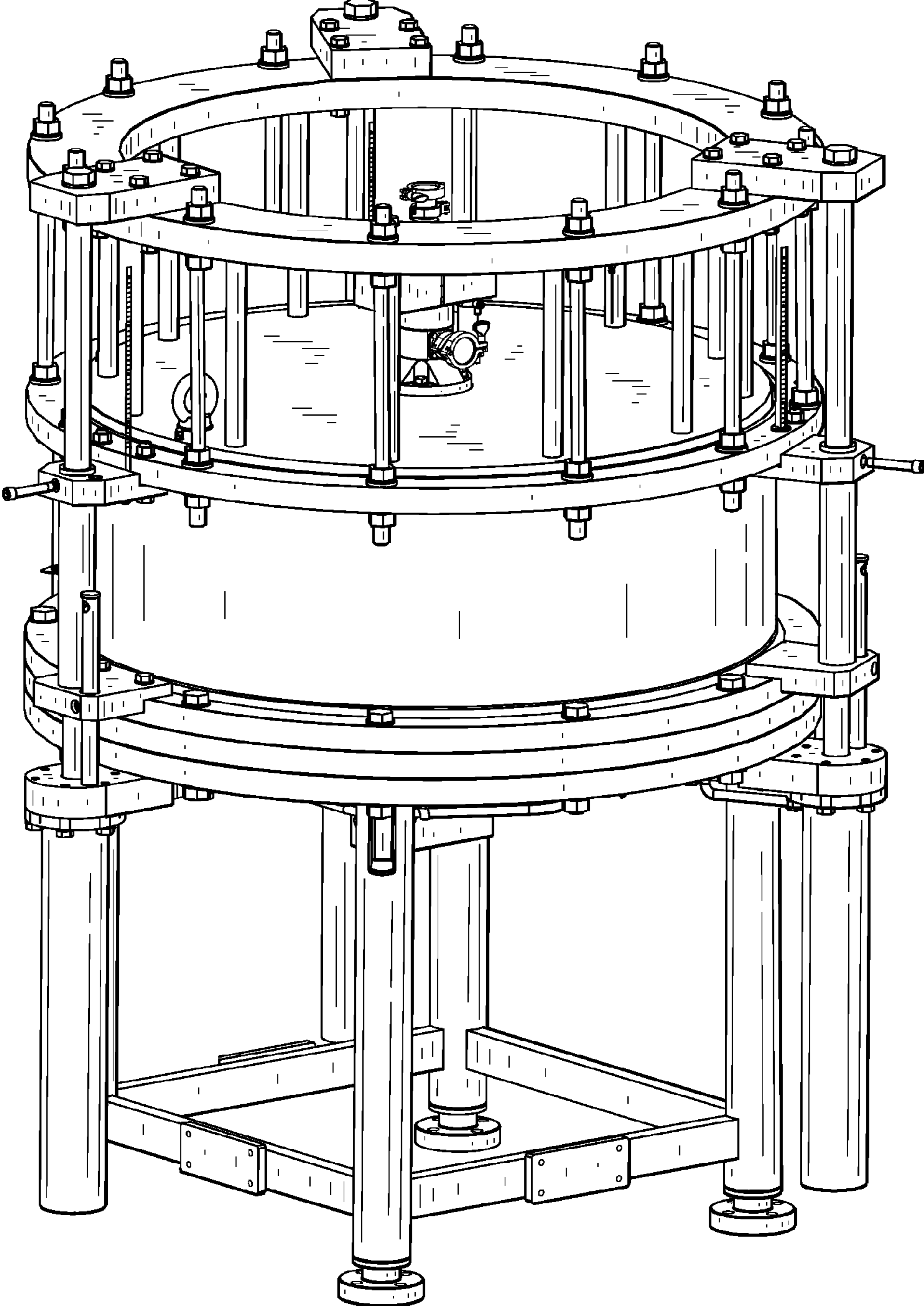


FIG. 2

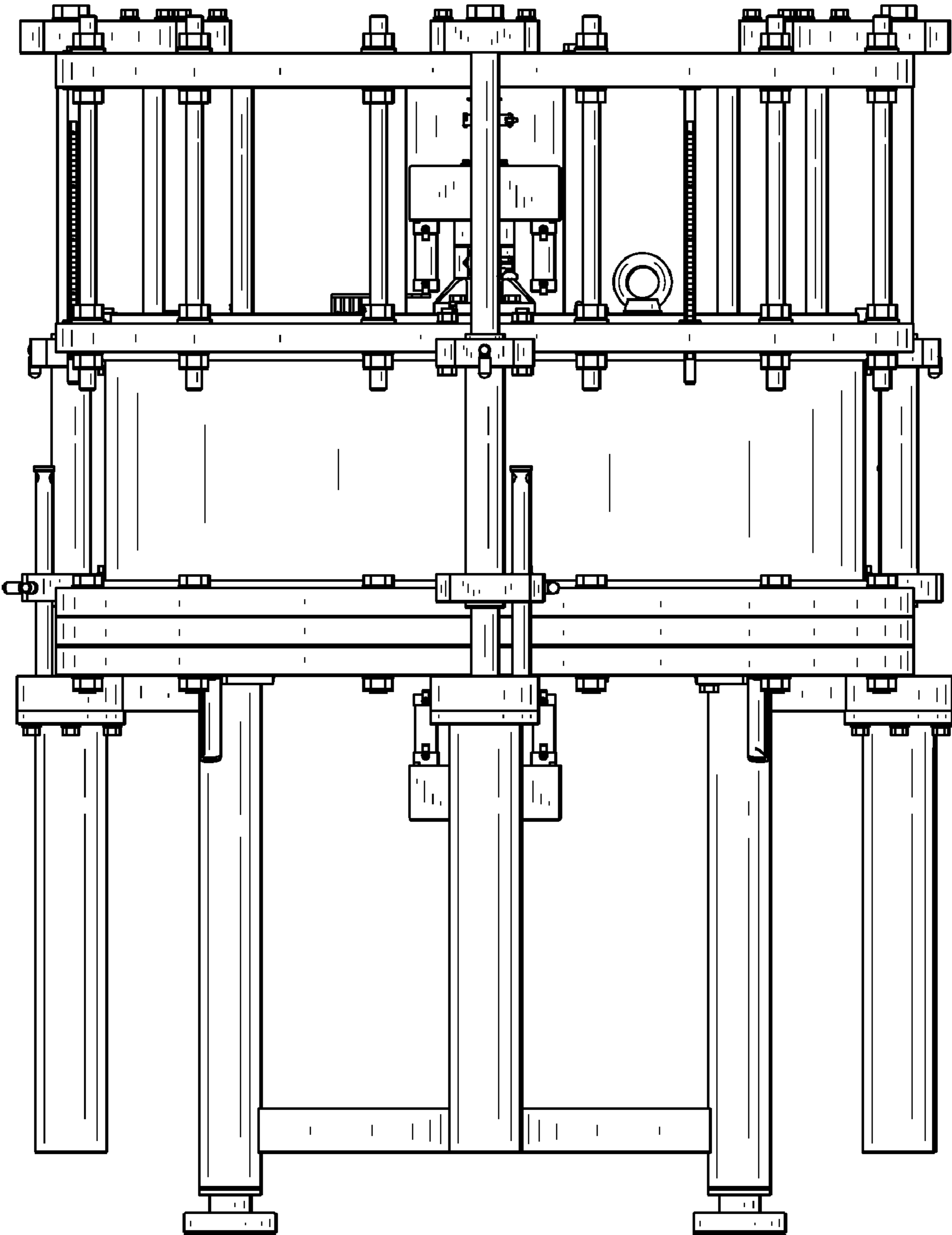


FIG. 3

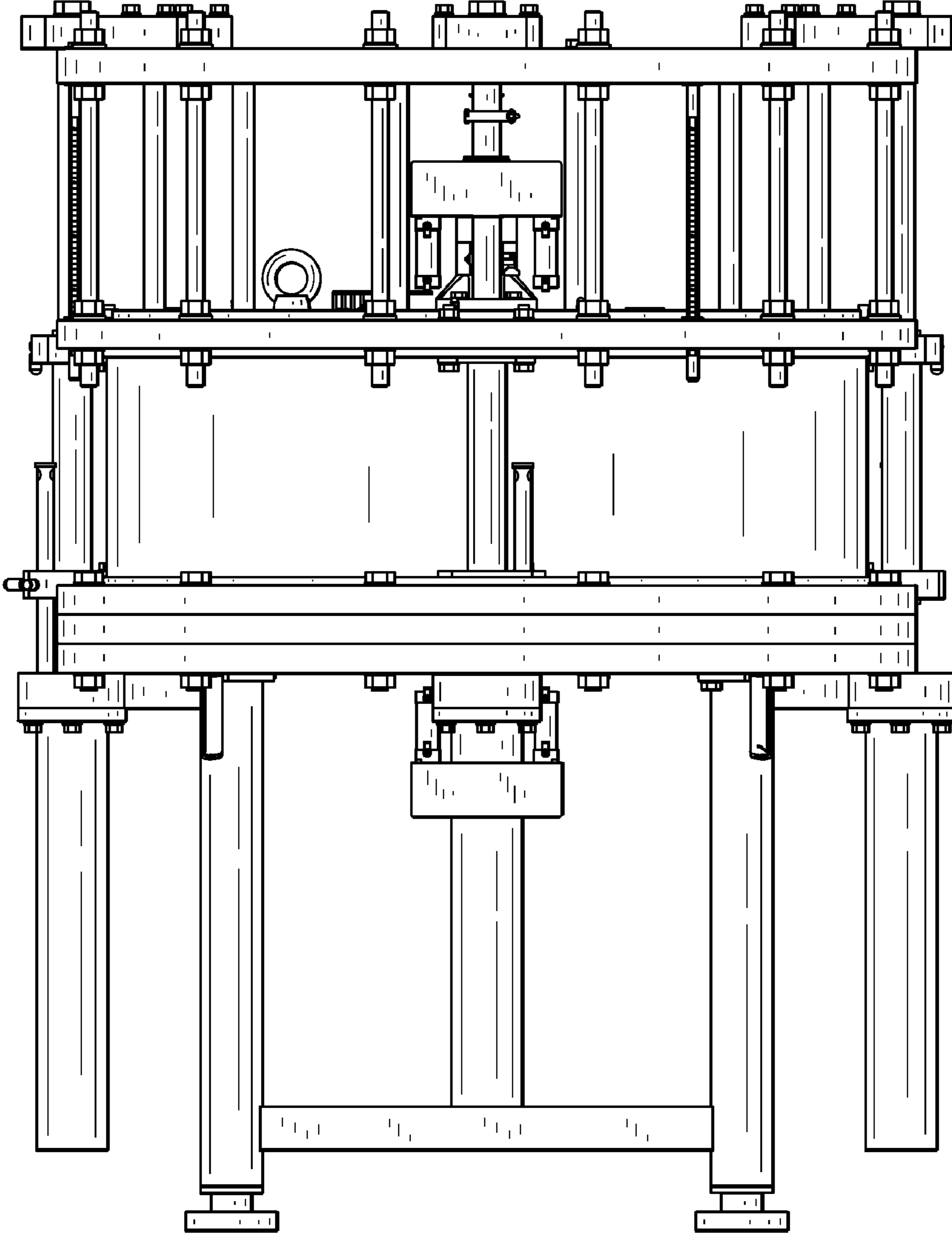


FIG. 4

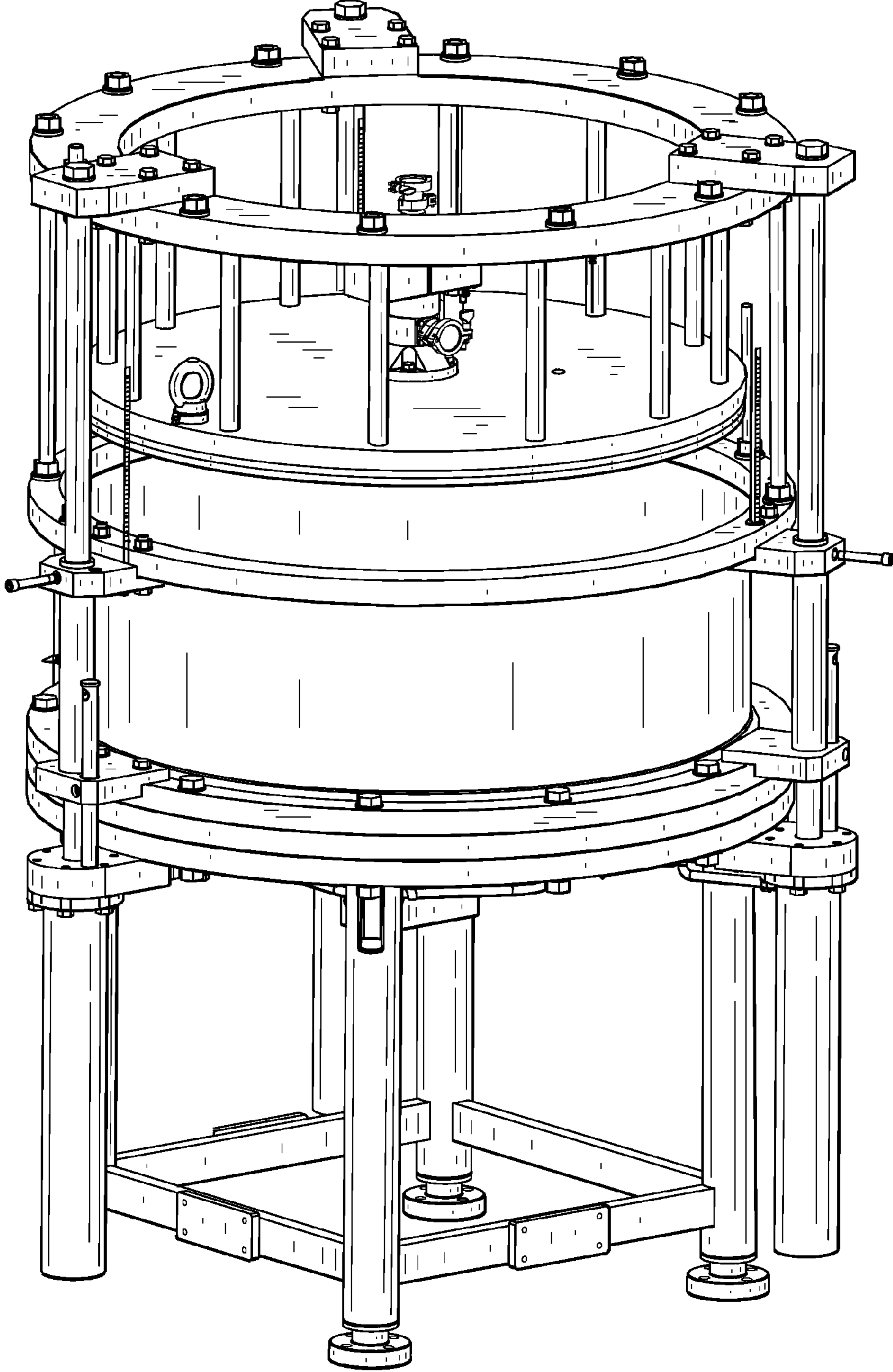


FIG. 5

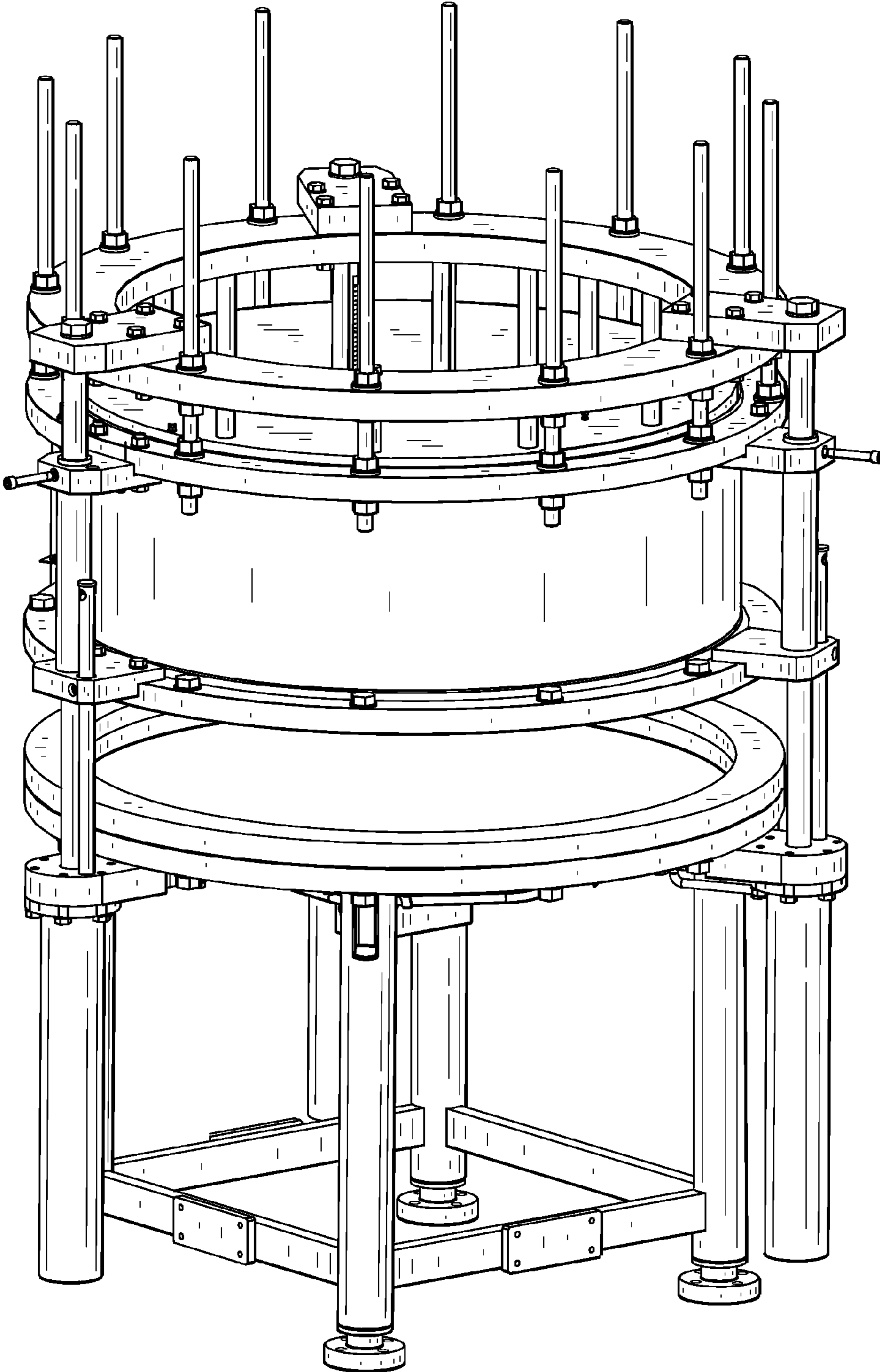


FIG. 6

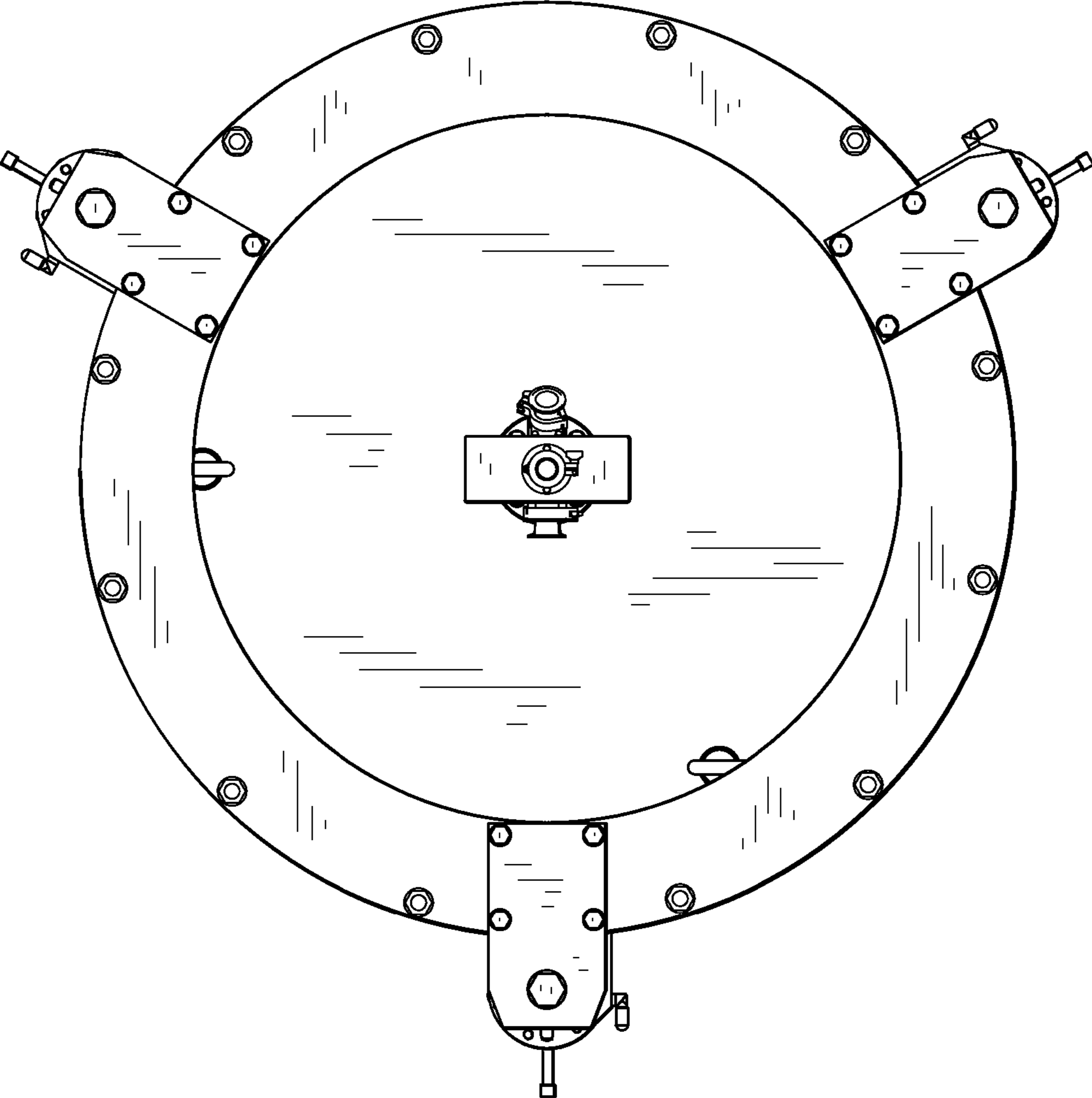


FIG. 7

