



US00D639977S

(12) **United States Design Patent**
Francis et al.

(10) **Patent No.:** **US D639,977 S**
(45) **Date of Patent:** **** Jun. 14, 2011**

(54) **TEST STRIP BASE**

(75) Inventors: **Karl Francis**, San Diego, CA (US);
Paul Crivelli, San Diego, CA (US);
Emily Parker, San Diego, CA (US)

(73) Assignee: **Alere San Diego, Inc.**, San Diego, CA
(US)

(**) Term: **14 Years**

(21) Appl. No.: **29/363,035**

(22) Filed: **Jun. 3, 2010**

(51) **LOC (9) Cl.** **24-01**

(52) **U.S. Cl.** **D24/225**

(58) **Field of Classification Search** D24/216-232;
D10/81; 422/500, 547, 549, 554; 435/287.1,
435/288.1, 288.2, 288.4, 278.9, 288.3; 359/396,
359/397, 398

See application file for complete search history.

(56) **References Cited**

U.S. PATENT DOCUMENTS

D331,807 S * 12/1992 Sodergren D24/224
D456,082 S * 4/2002 Bouse et al. D24/223
D467,348 S * 12/2002 McMichael et al. D24/229

D472,324 S * 3/2003 Rumore et al. D24/224
D472,644 S * 4/2003 Dawson et al. D24/216
D500,142 S * 12/2004 Crisanti et al. D24/224
D512,512 S * 12/2005 Bell et al. D24/225
D528,215 S * 9/2006 Malmsater D24/216
D531,321 S * 10/2006 Godfrey et al. D24/225
7,186,383 B2 * 3/2007 Webster et al. 422/547
7,285,425 B2 * 10/2007 Shareef et al. 435/287.1
7,785,865 B2 * 8/2010 Qinwei 435/287.1
2009/0191617 A1 * 7/2009 Lim et al. 435/287.1

* cited by examiner

Primary Examiner — T. Chase Nelson

Assistant Examiner — Anhdao Doan

(74) *Attorney, Agent, or Firm* — Steptoe & Johnson LLP

(57) **CLAIM**

The ornamental design for a test strip base, as shown and described.

DESCRIPTION

FIG. 1 is a perspective view from above of a test strip base.

FIG. 2 is a front view of the test strip base of FIG. 1.

FIG. 3 is a rear view of the test strip base of FIG. 1.

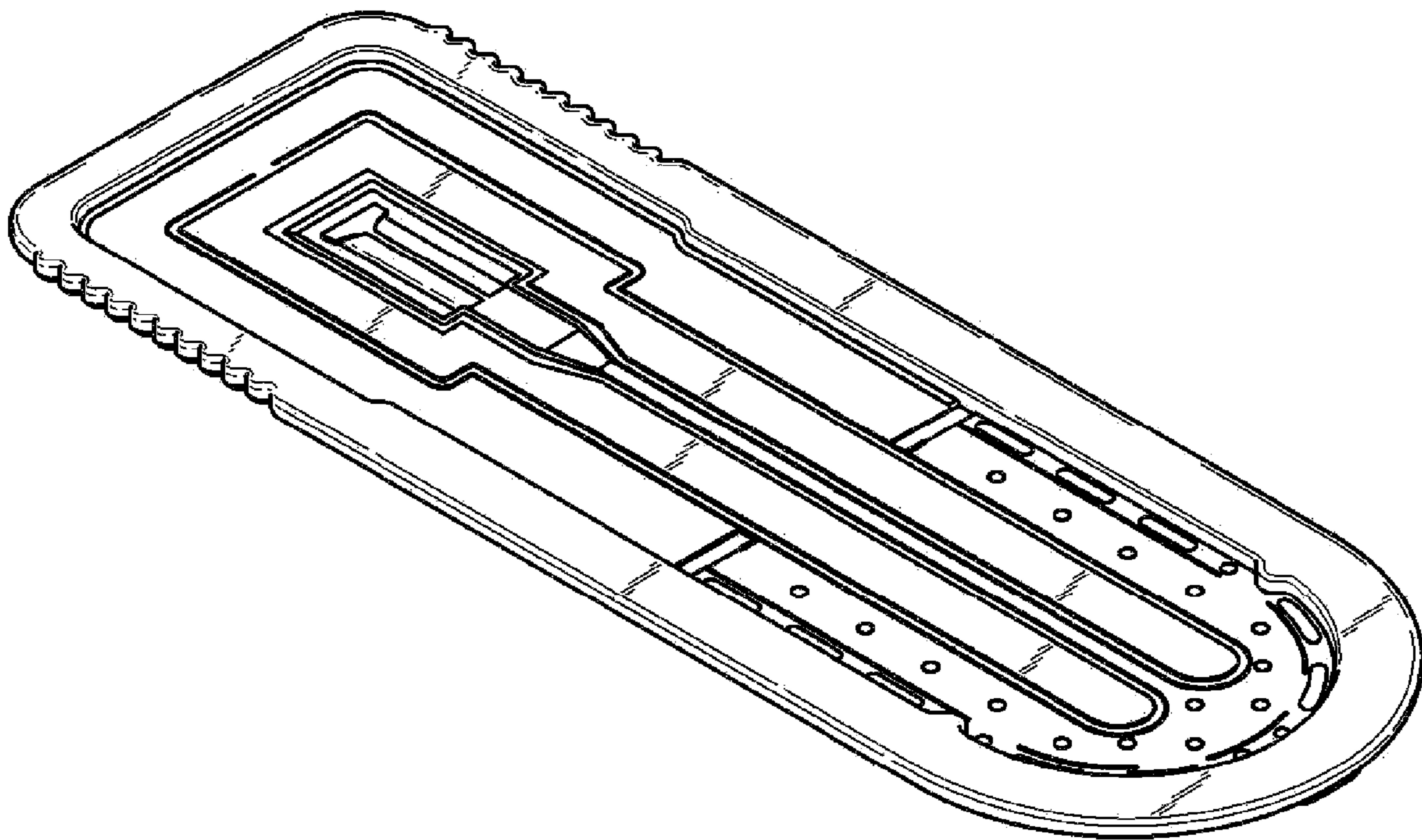
FIG. 4 is a left side view of the test strip base of FIG. 1.

FIG. 5 is a right side view of the test strip base of FIG. 1.

FIG. 6 is a top view of the test strip base of FIG. 1; and,

FIG. 7 is a bottom view of the test strip base of FIG. 1.

1 Claim, 2 Drawing Sheets



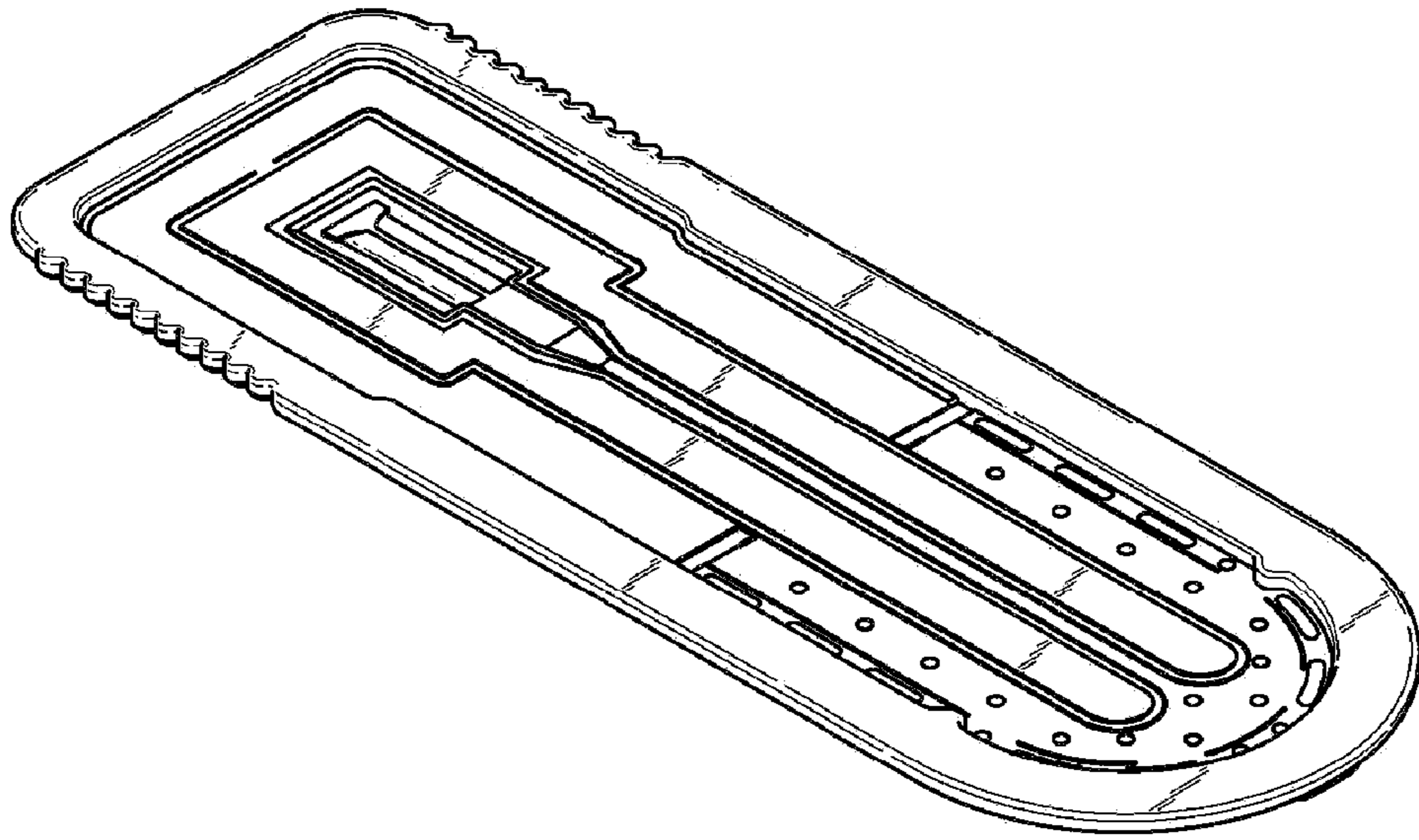


Fig.1.



Fig.2.



Fig.3.

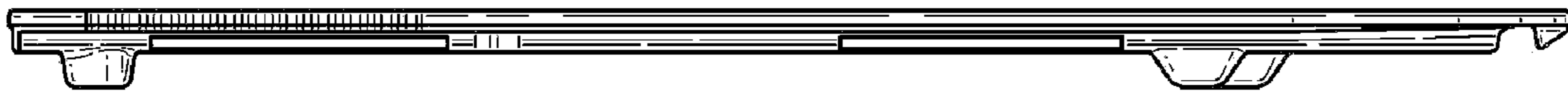


Fig.4.

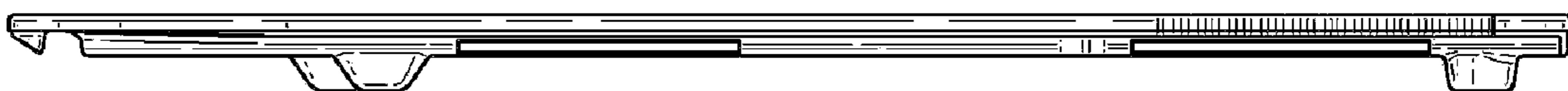


Fig.5.

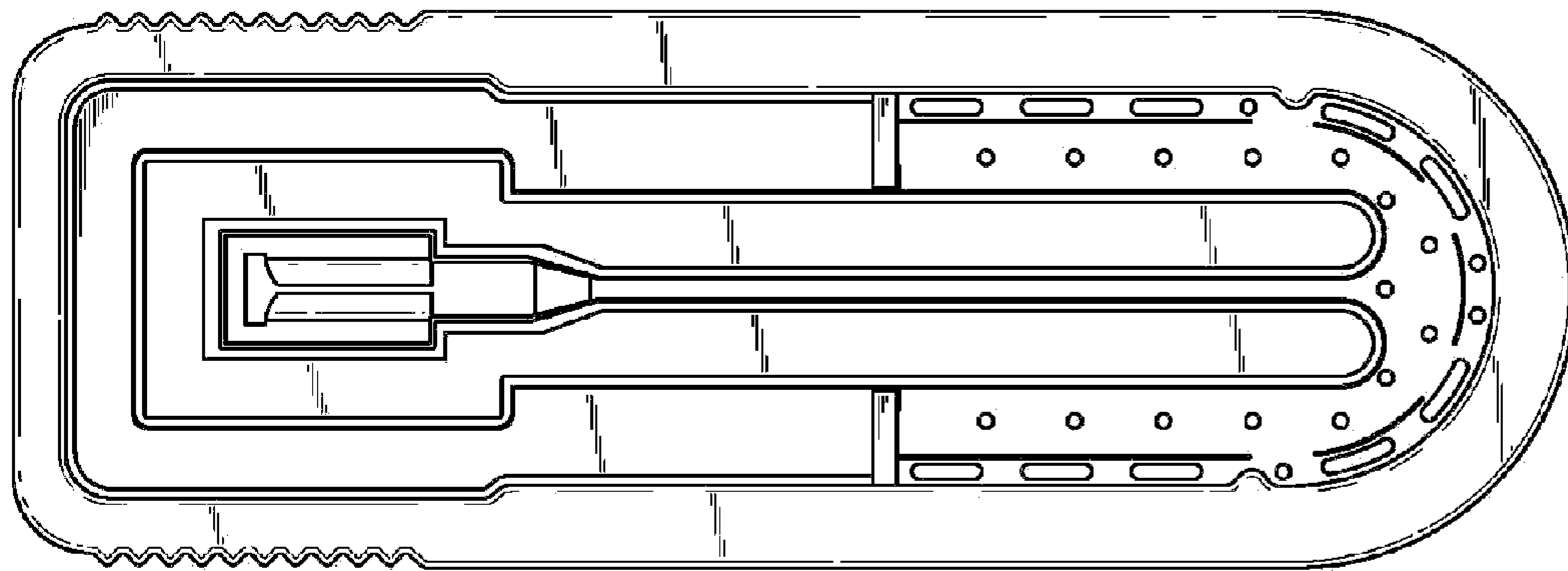


Fig.6.

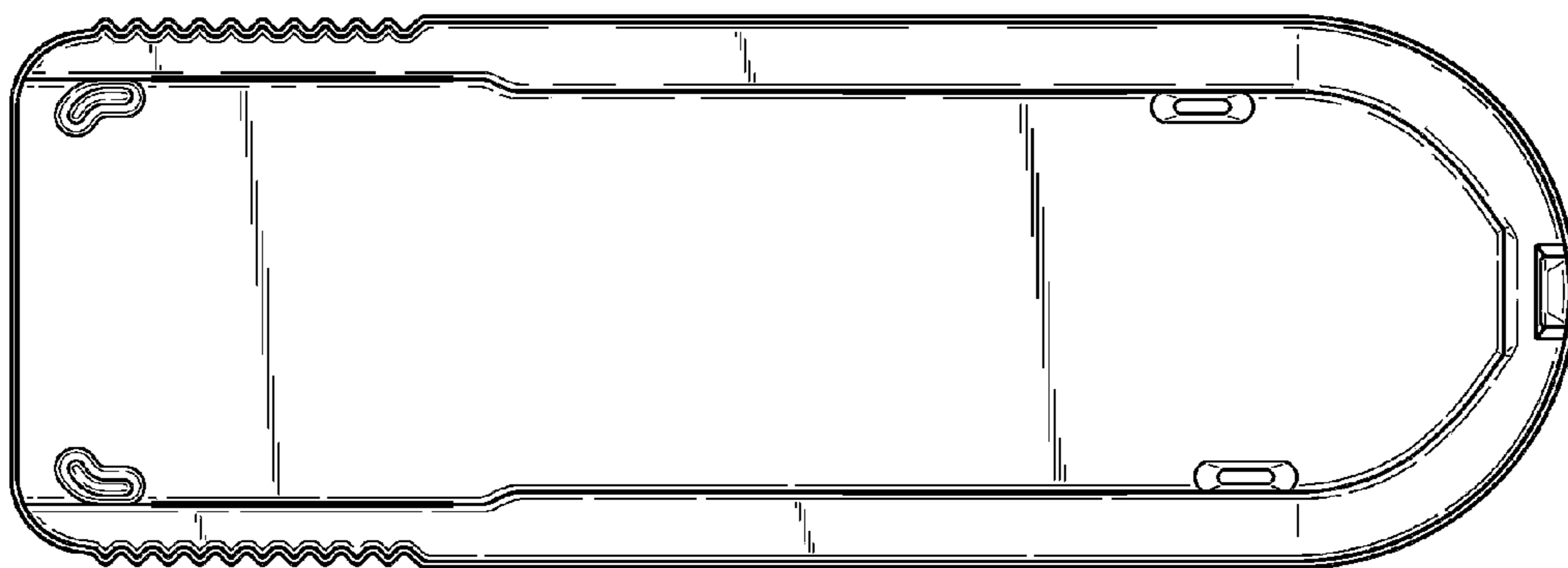


Fig.7.