



US00D639976S

(12) **United States Design Patent**  
**Francis et al.**

(10) **Patent No.:** **US D639,976 S**  
(45) **Date of Patent:** **\*\* Jun. 14, 2011**

(54) **TEST STRIP COVER**

(75) Inventors: **Karl Francis**, San Diego, CA (US);  
**Paul Crivelli**, San Diego, CA (US);  
**Emily Parker**, San Diego, CA (US)  
(73) Assignee: **Alere San Diego, Inc.**, San Diego, CA  
(US)

(\*\*) Term: **14 Years**

(21) Appl. No.: **29/363,034**

(22) Filed: **Jun. 3, 2010**

(51) **LOC (9) Cl.** ..... **24-01**

(52) **U.S. Cl.** ..... **D24/225**

(58) **Field of Classification Search** ..... D24/216-232;  
D10/81; 422/500, 547, 549, 554; 435/287.1,  
435/288.1, 288.2, 288.4, 278.9, 288.3; 359/396,  
359/397, 398

See application file for complete search history.

(56) **References Cited**

**U.S. PATENT DOCUMENTS**

D331,807 S \* 12/1992 Sodergren ..... D24/224  
D456,082 S \* 4/2002 Bouse et al. .... D24/223  
D467,348 S \* 12/2002 McMichael et al. .... D24/229

D472,324 S \* 3/2003 Rumore et al. .... D24/224  
D472,644 S \* 4/2003 Dawson et al. .... D24/216  
D500,142 S \* 12/2004 Crisanti et al. .... D24/224  
D512,512 S \* 12/2005 Bell et al. .... D24/225  
D528,215 S \* 9/2006 Malmstater ..... D24/216  
D531,321 S \* 10/2006 Godfrey et al. .... D24/225  
7,186,383 B2 \* 3/2007 Webster et al. .... 422/547  
7,285,425 B2 \* 10/2007 Shareef et al. .... 435/287.1  
7,785,865 B2 \* 8/2010 Qinwei ..... 435/287.1  
2009/0191617 A1 \* 7/2009 Lim et al. .... 435/287.1

\* cited by examiner

*Primary Examiner* — T. Chase Nelson

*Assistant Examiner* — Anhdao Doan

(74) *Attorney, Agent, or Firm* — Steptoe & Johnson LLP

(57) **CLAIM**

The ornamental design for a test strip cover, as shown and described.

**DESCRIPTION**

FIG. 1 is a perspective view from above of a test strip cover.

FIG. 2 is a front view of the test strip cover of FIG. 1.

FIG. 3 is a rear view of the test strip cover of FIG. 1.

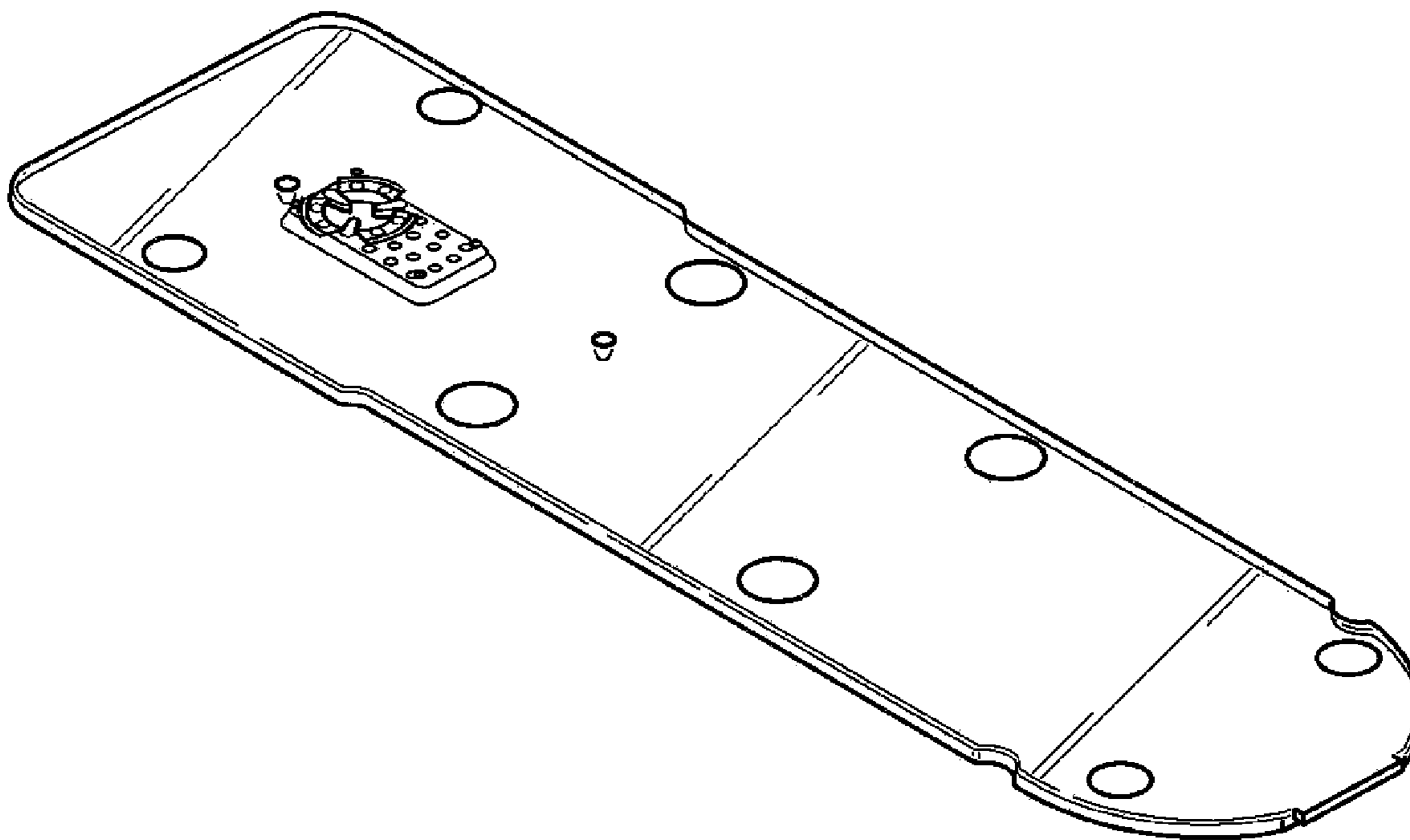
FIG. 4 is a left side view of the test strip cover of FIG. 1.

FIG. 5 is a right side view of the test strip cover of FIG. 1.

FIG. 6 is a top view of the test strip cover of FIG. 1; and,

FIG. 7 is a bottom view of the test strip cover of FIG. 1.

**1 Claim, 2 Drawing Sheets**



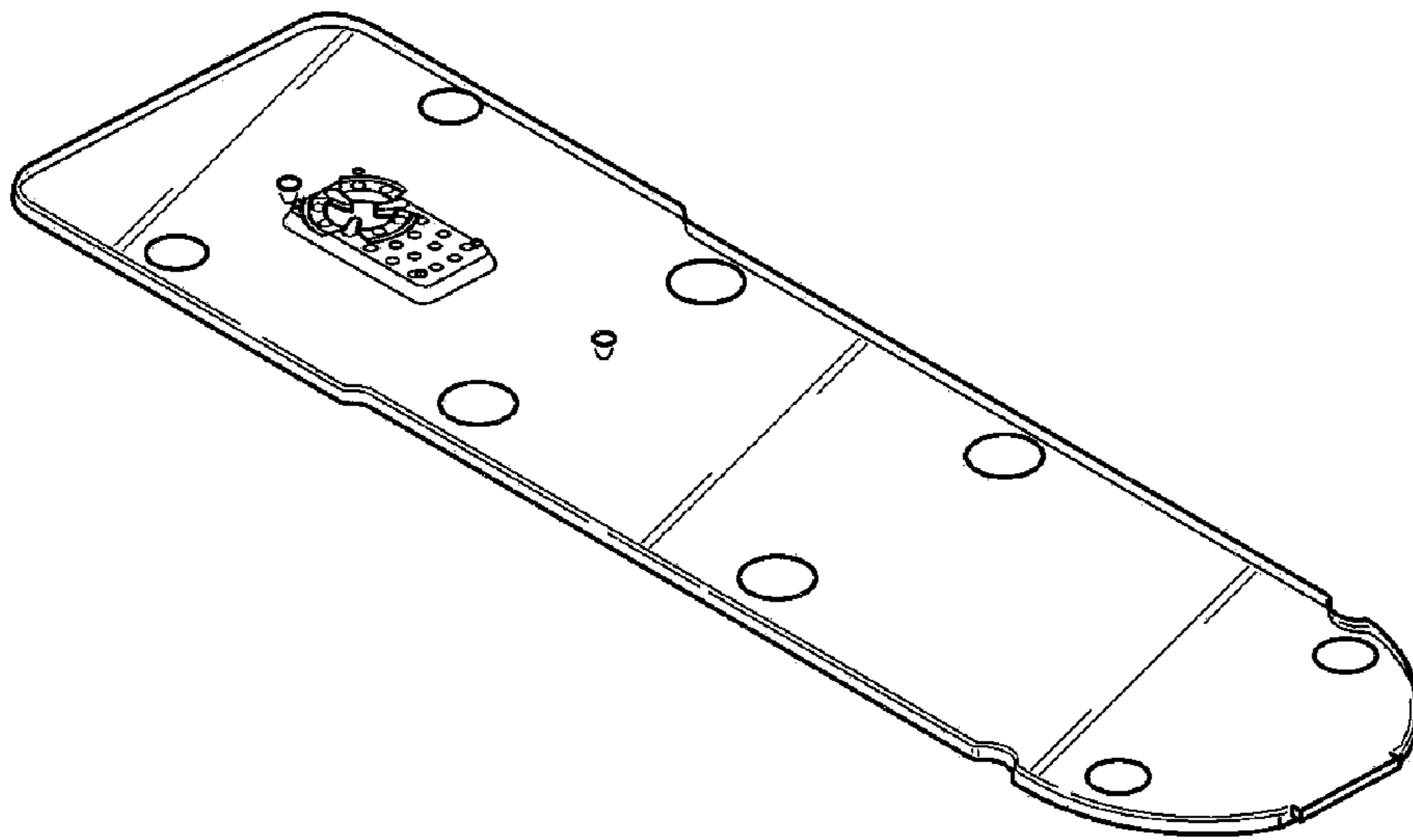


Fig.1.



Fig.2.



Fig.3.



Fig.4.

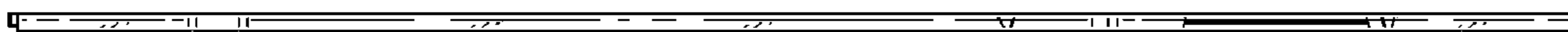


Fig.5.

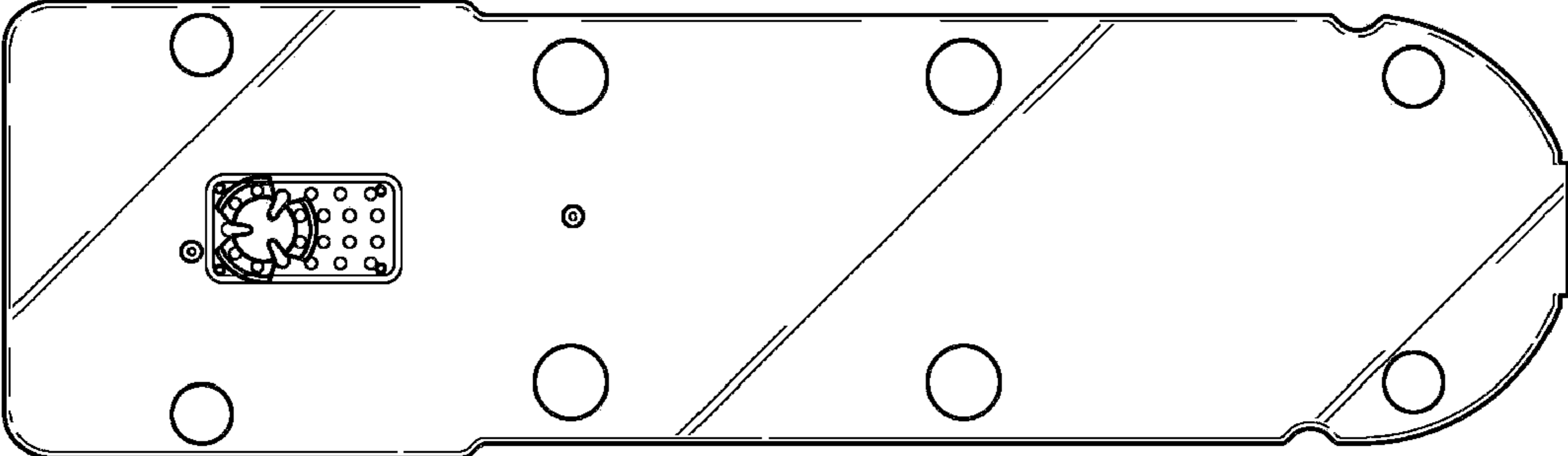


Fig.6.

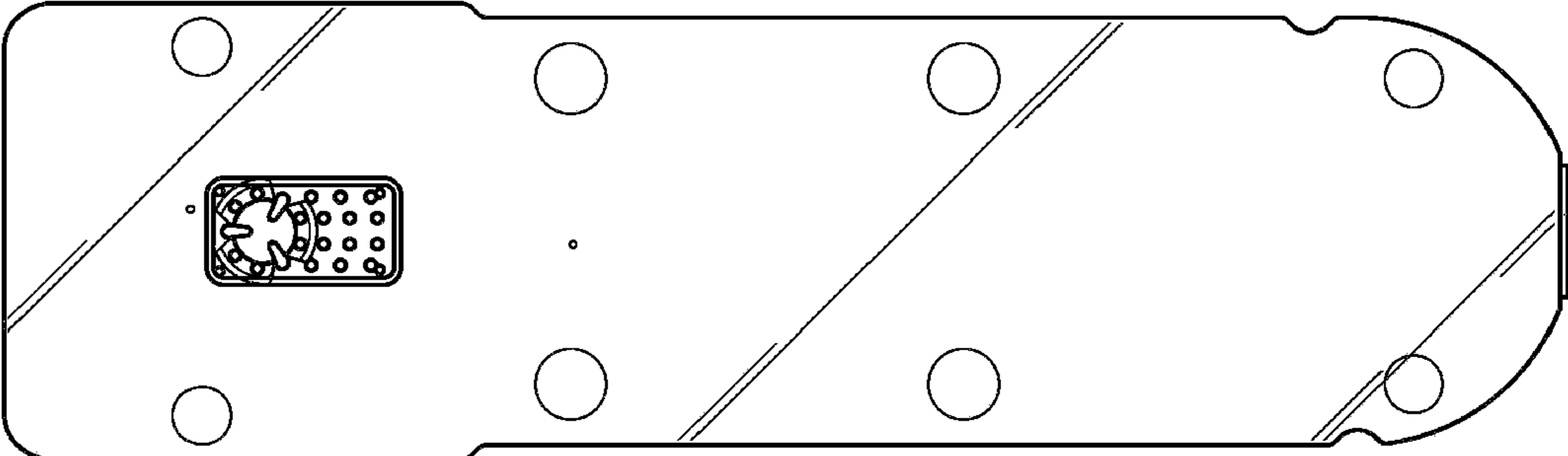


Fig.7.