



US00D639975S

(12) **United States Design Patent**
Doyle et al.

(10) **Patent No.:** **US D639,975 S**
(45) **Date of Patent:** **** Jun. 14, 2011**

(54) **CARTRIDGE FOR SAMPLE ANALYSIS**

(75) Inventors: **Kevin John Doyle**, Dunrobin (CA); **Paul Wilkins**, Cambridge (GB); **Mick Withers**, Impington (GB); **Adrian Cooper**, Harston (GB); **John Oakey Noell**, Skillman, NJ (US)

(73) Assignee: **Abbott Point of Care, Inc.**, Princeton, NJ (US)

(**) Term: **14 Years**

(21) Appl. No.: **29/352,357**

(22) Filed: **Dec. 18, 2009**

(51) **LOC (9) Cl.** **24-01**

(52) **U.S. Cl.** **D24/225**

(58) **Field of Classification Search** D24/216,
D24/222-226, 231, 232, 169; D10/81; 422/100,
422/62-67, 68.1, 99, 102; 436/47, 48

See application file for complete search history.

(56) **References Cited**

U.S. PATENT DOCUMENTS

D337,164 S *	7/1993	Lauks et al.	D24/223
D351,913 S *	10/1994	Hieb et al.	D24/223
D366,938 S *	2/1996	Shartle et al.	D24/224
D373,829 S *	9/1996	Pallender	D24/224
5,660,791 A *	8/1997	Brenneman et al.	422/63
6,033,914 A *	3/2000	Boyd et al.	422/102
D426,313 S *	6/2000	Woolston et al.	D24/223

D454,398 S *	3/2002	Robertson et al.	D24/225
D491,273 S *	6/2004	Biegler et al.	D24/216
D540,953 S *	4/2007	Ramel et al.	D24/224
7,674,615 B2 *	3/2010	Ramel et al.	422/102
2003/0235906 A1 *	12/2003	Shea et al.	435/287.9

* cited by examiner

Primary Examiner — T. Chase Nelson

Assistant Examiner — Anhdao Doan

(74) *Attorney, Agent, or Firm* — Katten Muchin Rosenman LLP

(57) **CLAIM**

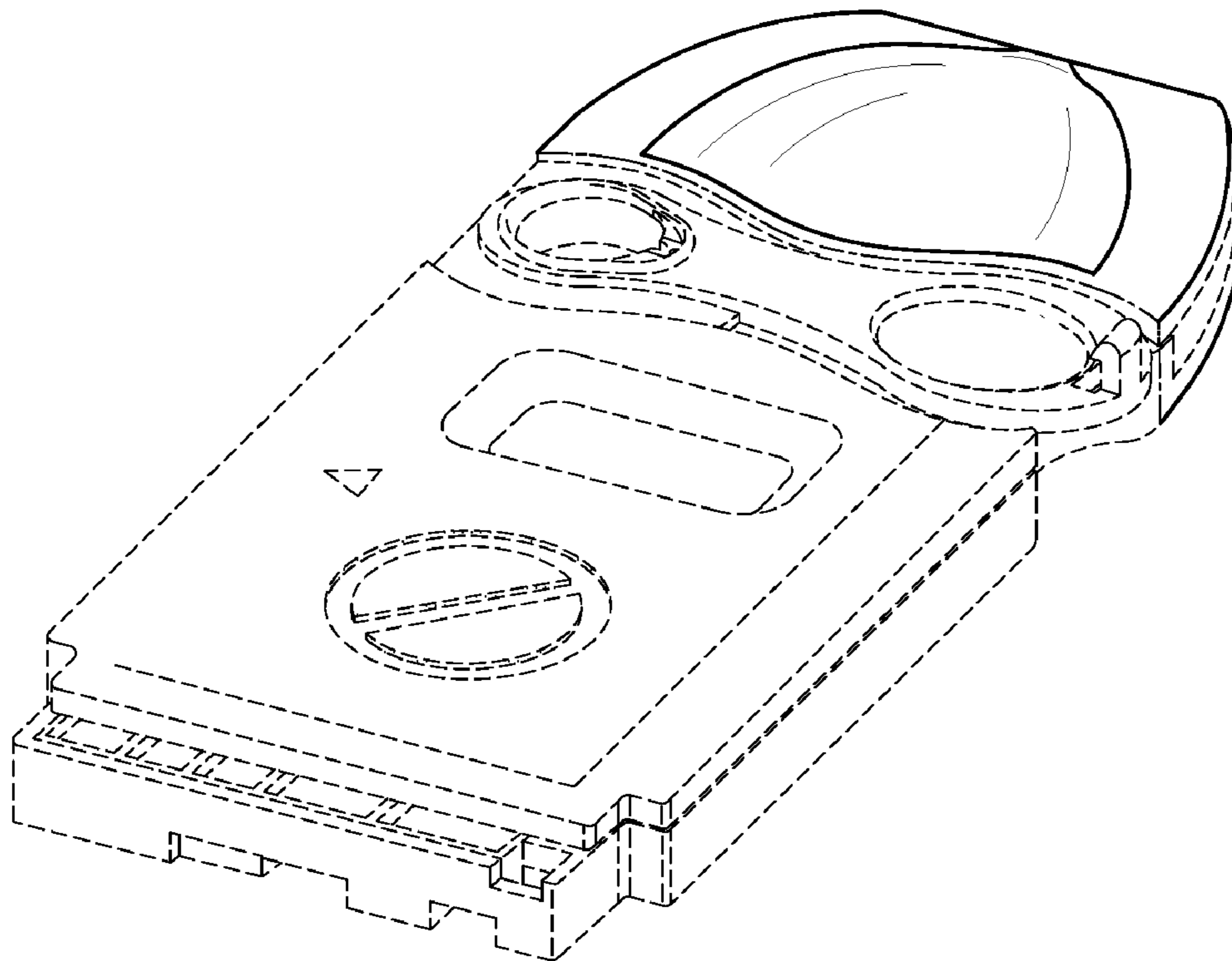
The ornamental design for a cartridge for sample analysis, as shown and described.

DESCRIPTION

FIG. 1 is a top perspective view of a cartridge for sample analysis showing our new design; FIG. 2 is a bottom perspective view thereof; FIG. 3 is a top view thereof; FIG. 4 is a side view thereof; FIG. 5 is bottom view thereof; FIG. 6 is another side view thereof; FIG. 7 is front view thereof; and, FIG. 8 is rear view thereof.

The alternate long and short broken lines in FIGS. 1-7 represent the bounds of the claim. The other broken lines in the drawing views are included for the purpose of illustrating portions of the cartridge for sample analysis that form no part of the claimed design. None of the broken lines form a part of the claimed design.

1 Claim, 2 Drawing Sheets



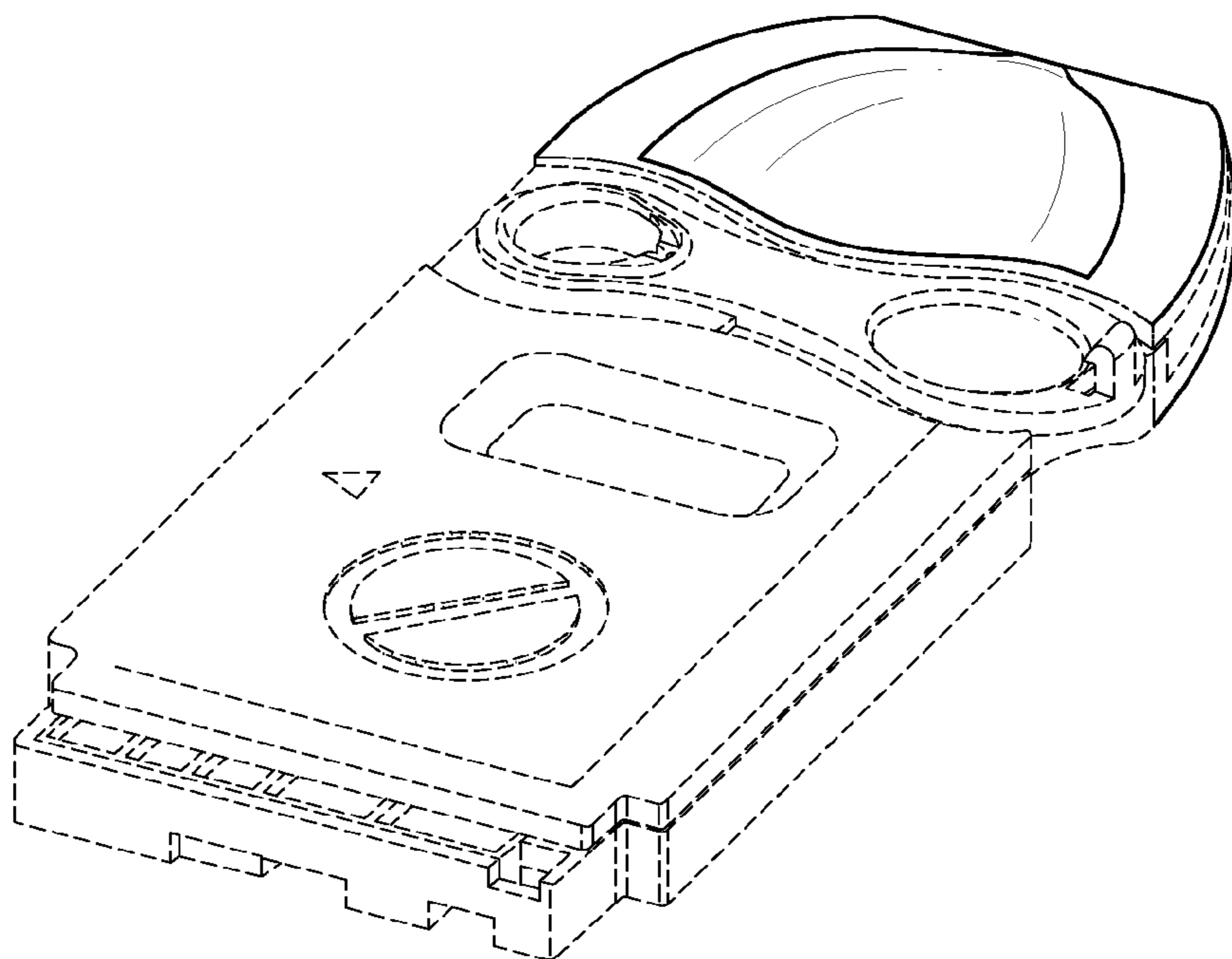


FIG. 1

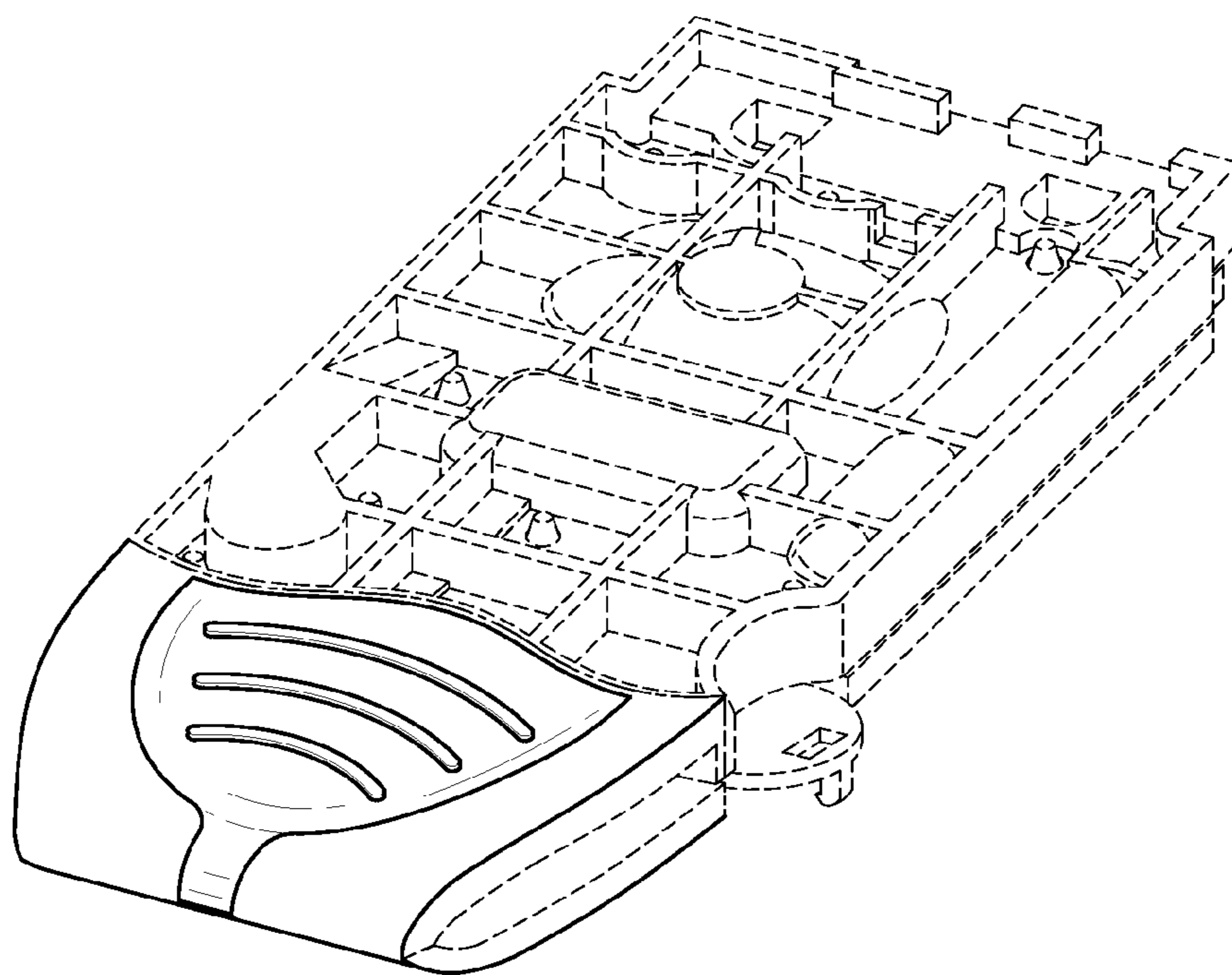


FIG. 2

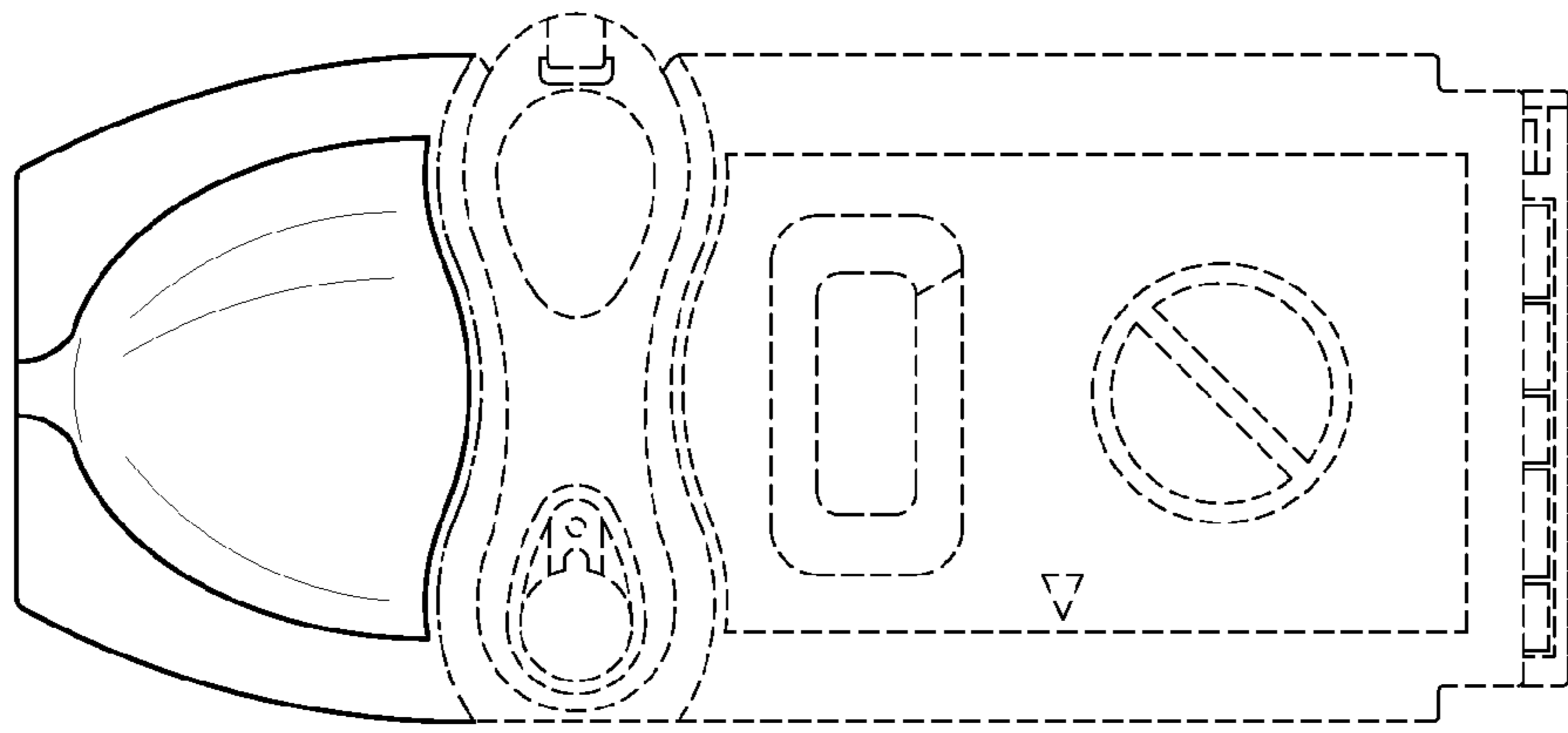


FIG. 3

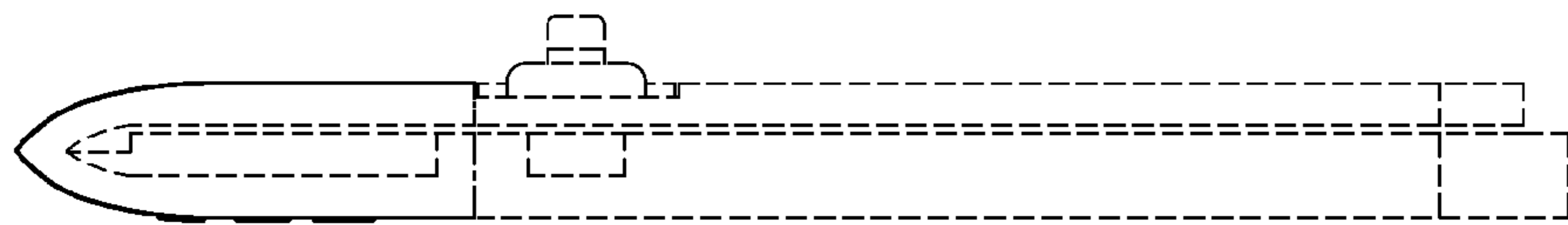


FIG. 4

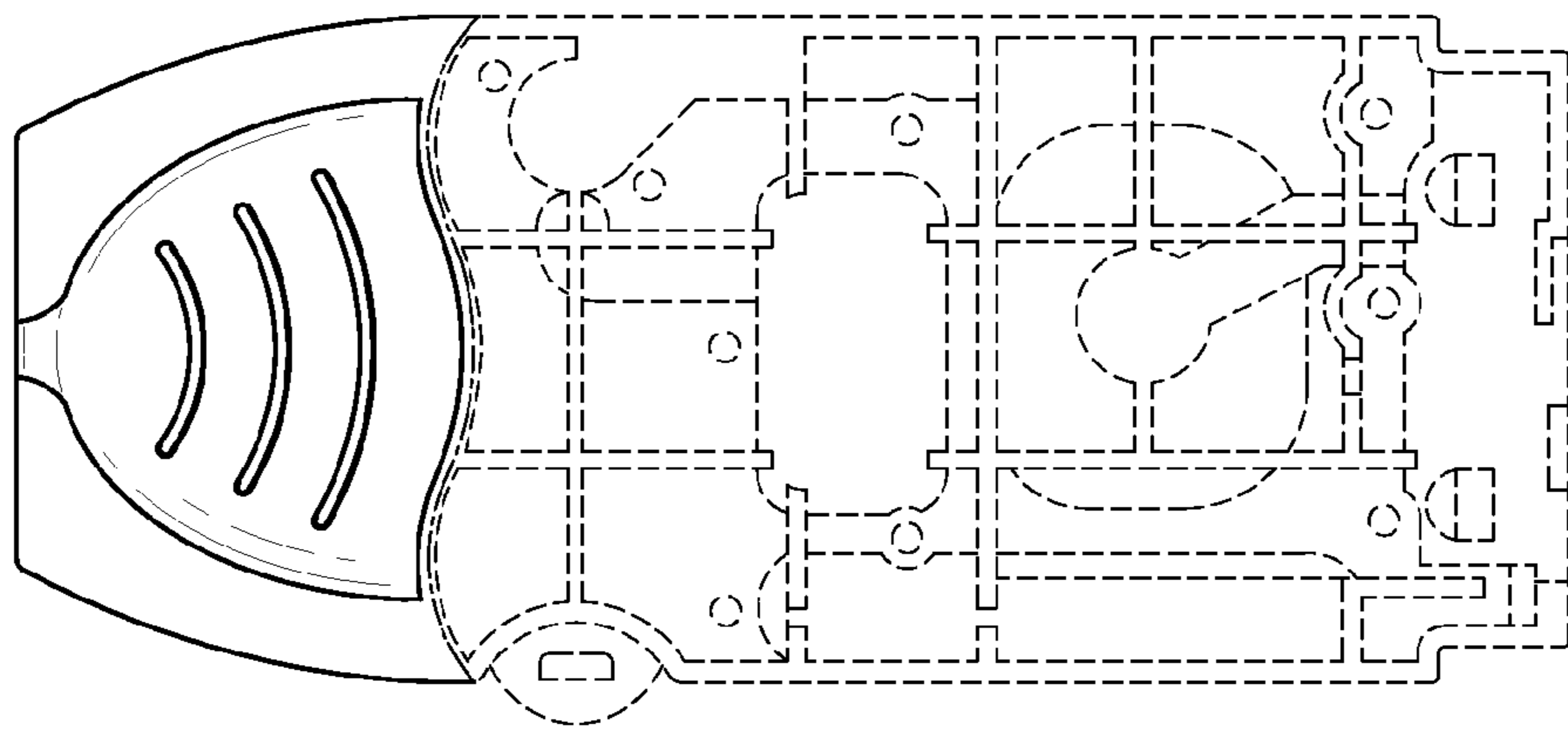


FIG. 5

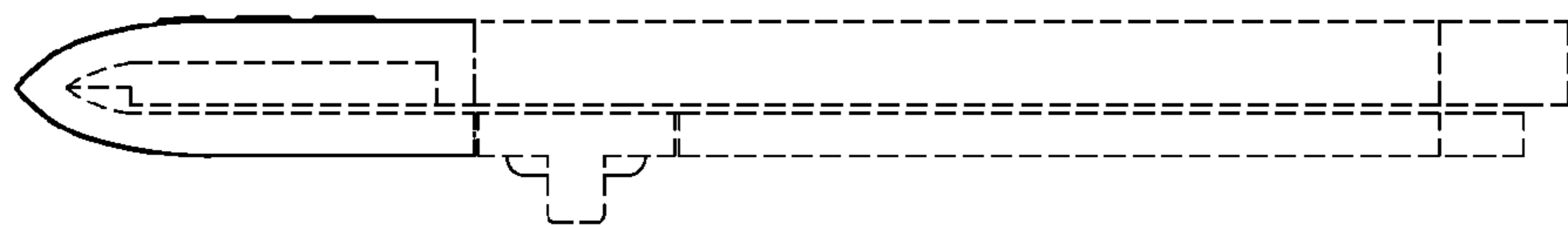


FIG. 6

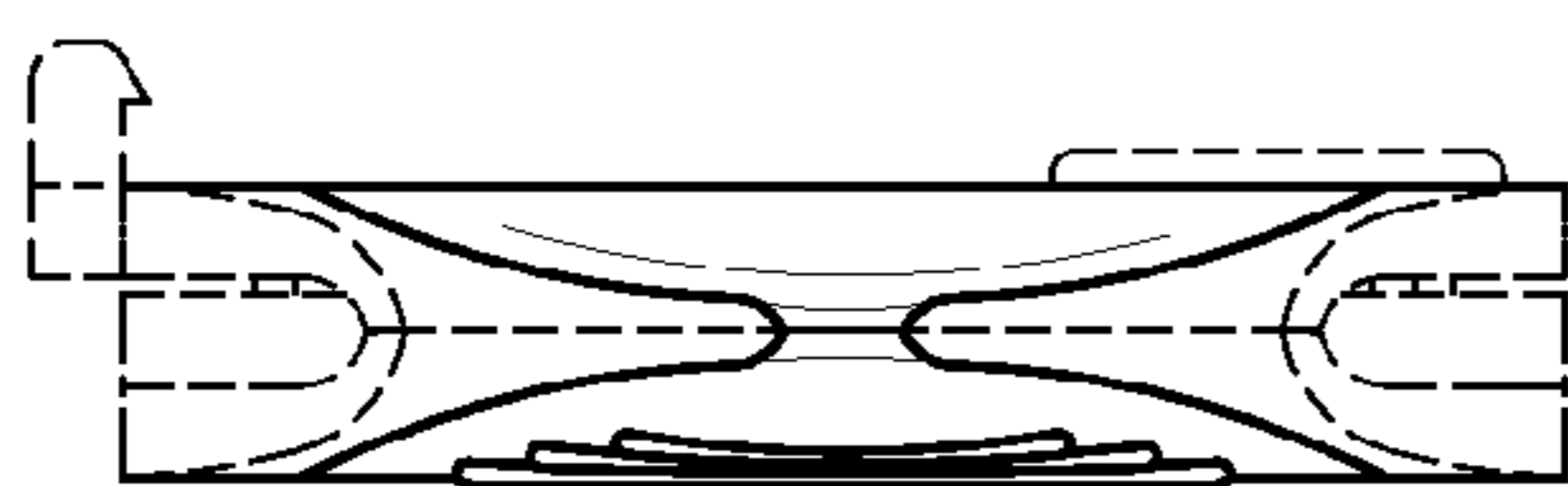


FIG. 7

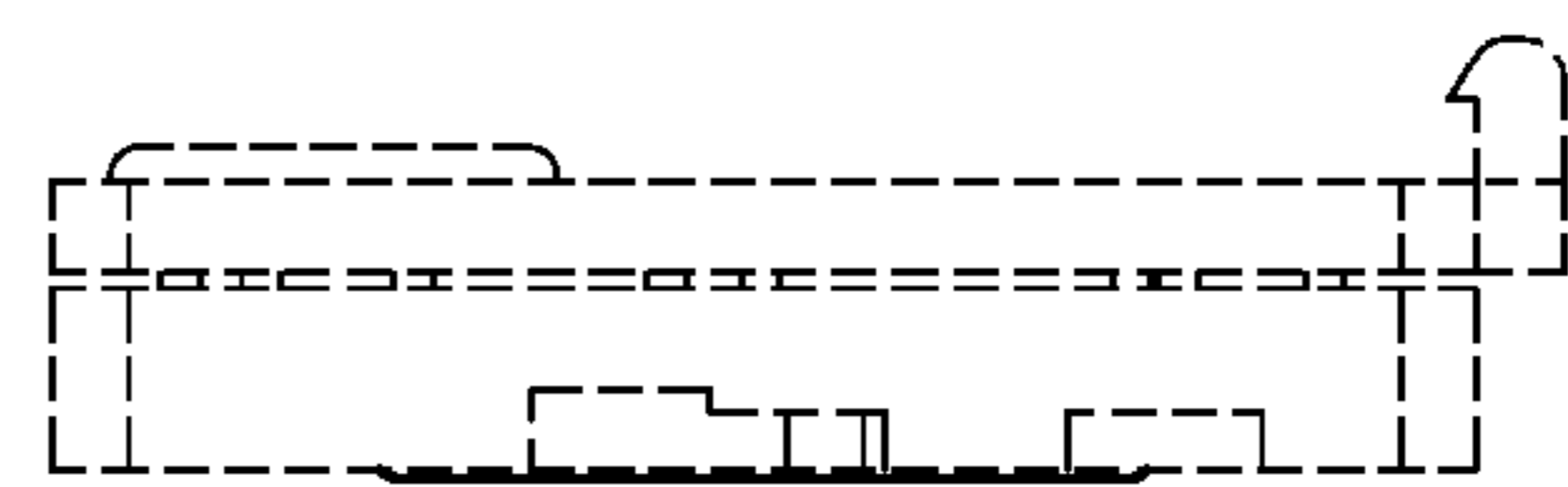


FIG. 8