



US00D639973S

(12) **United States Design Patent**
Hughes

(10) **Patent No.:** **US D639,973 S**
(45) **Date of Patent:** **** Jun. 14, 2011**

(54) **FOOT WARMER RELEASABLY SECURED TO A BED**

(76) Inventor: **Edward Frank Hughes**, Auburn, CA (US)

(**) Term: **14 Years**

(21) Appl. No.: **29/362,309**

(22) Filed: **May 24, 2010**

(51) **LOC (9) Cl.** **24-04**

(52) **U.S. Cl.** **D24/206**

(58) **Field of Classification Search** D24/206-208, D24/189-192, 210; 602/1-7, 17-27, 61-66, 602/74; 128/95.1, 96.1, 97.1, 100.1, 101.1, 128/876; 606/204; 607/96, 108, 109, 111, 607/112; D29/101.2, 101.5, 120.1, 121.1; D3/327; 362/103; D26/37

See application file for complete search history.

(56) **References Cited**

U.S. PATENT DOCUMENTS

D292,612 S *	11/1987	Fitsch	D24/191
5,090,409 A *	2/1992	Genis	607/108
D325,968 S *	5/1992	Nofsinger	D24/192
D338,587 S *	8/1993	Harnish	D24/190
D341,053 S *	11/1993	Hassel et al.	D24/190

D343,903 S *	2/1994	Perteet	D24/206
D350,204 S *	8/1994	Mance	D24/192
D353,203 S *	12/1994	LeCompte	D24/190
D355,034 S *	1/1995	Weed	D24/190
5,515,869 A *	5/1996	Powell et al.	128/876
D382,642 S *	8/1997	Van Gisbergen	
		Rutherford	D24/190
6,902,290 B2 *	6/2005	Watts et al.	362/103
D582,590 S *	12/2008	Ding et al.	D26/37

* cited by examiner

Primary Examiner — David Muller

(57) **CLAIM**

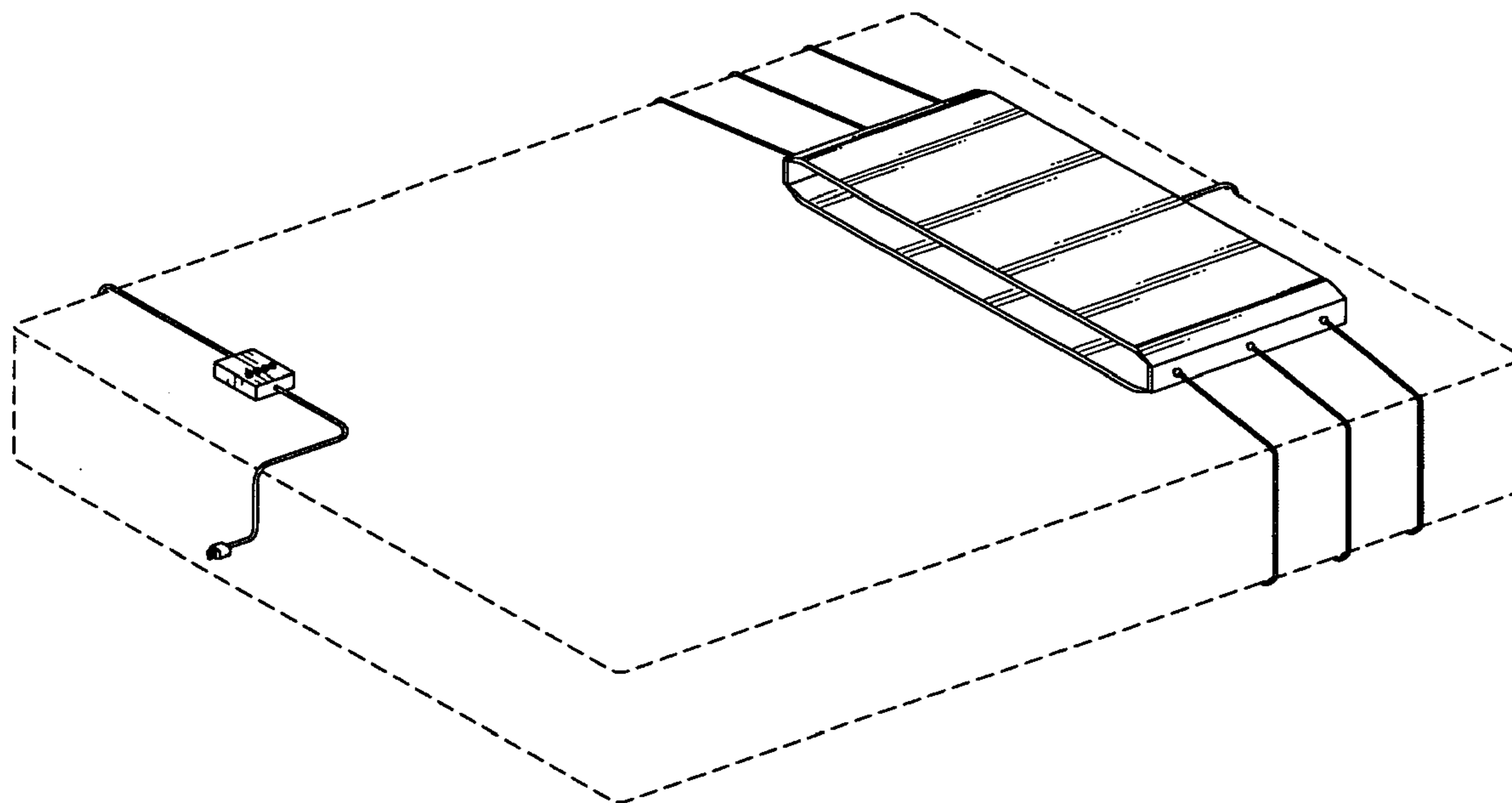
The ornamental design for a foot warmer releasably secured to a bed, as shown and described.

DESCRIPTION

FIG. 1 is a rear elevation view, of the foot warmer releasably secured to a bed, showing my design; FIG. 2 is a top plan view thereof; FIG. 3 is a front elevation view thereof; and, FIG. 4 is a perspective view thereof wherein the foot warmer is in a substantially open position.

The broken lines showing of parts of the drawings is included for the purpose of illustrating use and environment and forms no part of the claimed design.

1 Claim, 2 Drawing Sheets



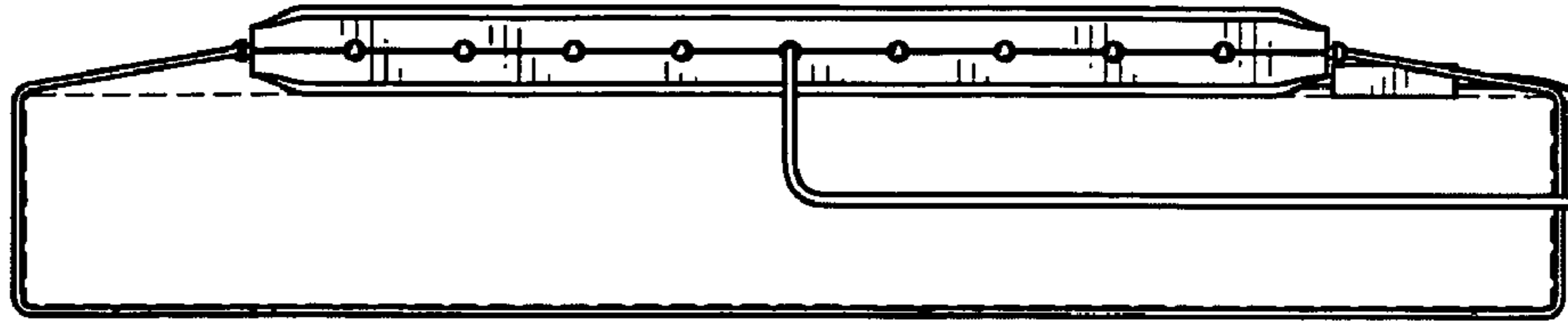


FIG. 1

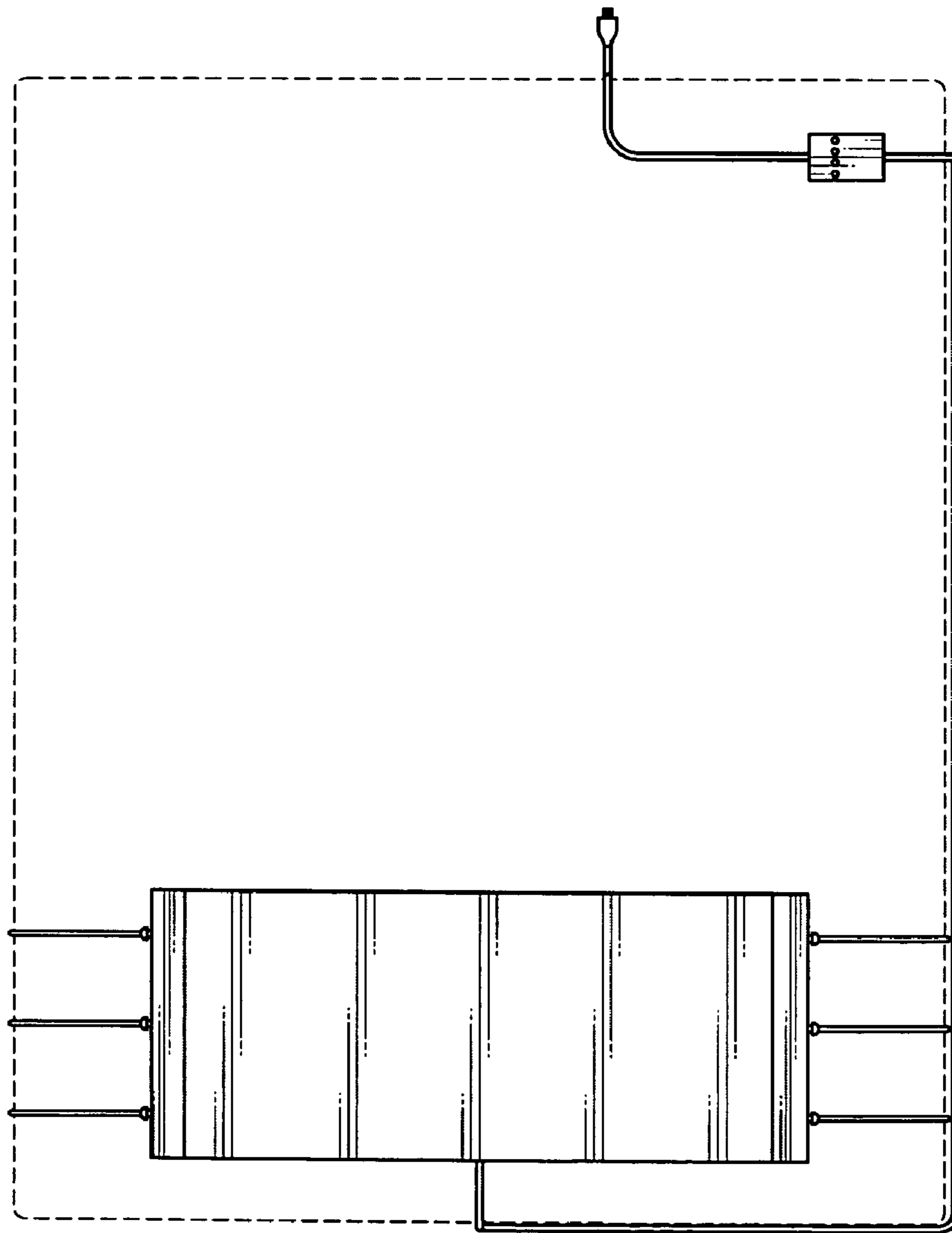


FIG. 2

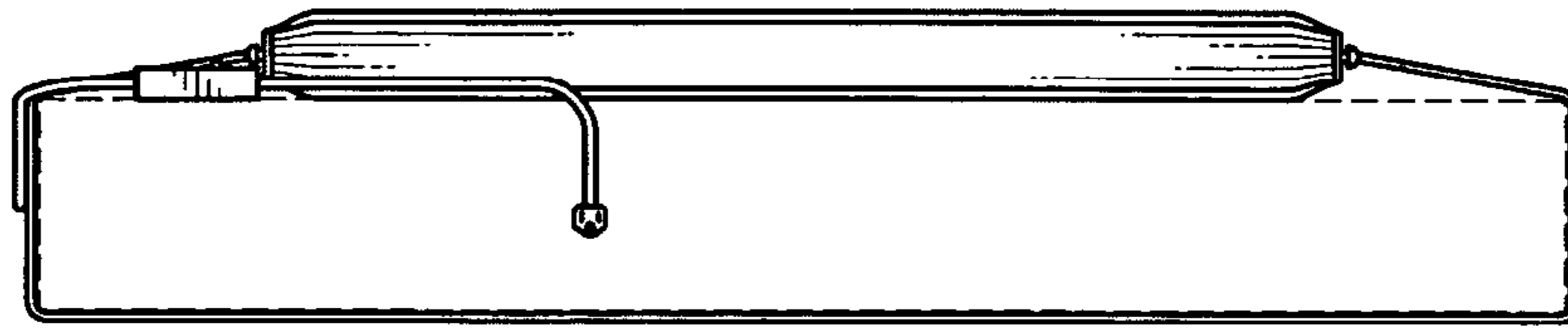


FIG. 3

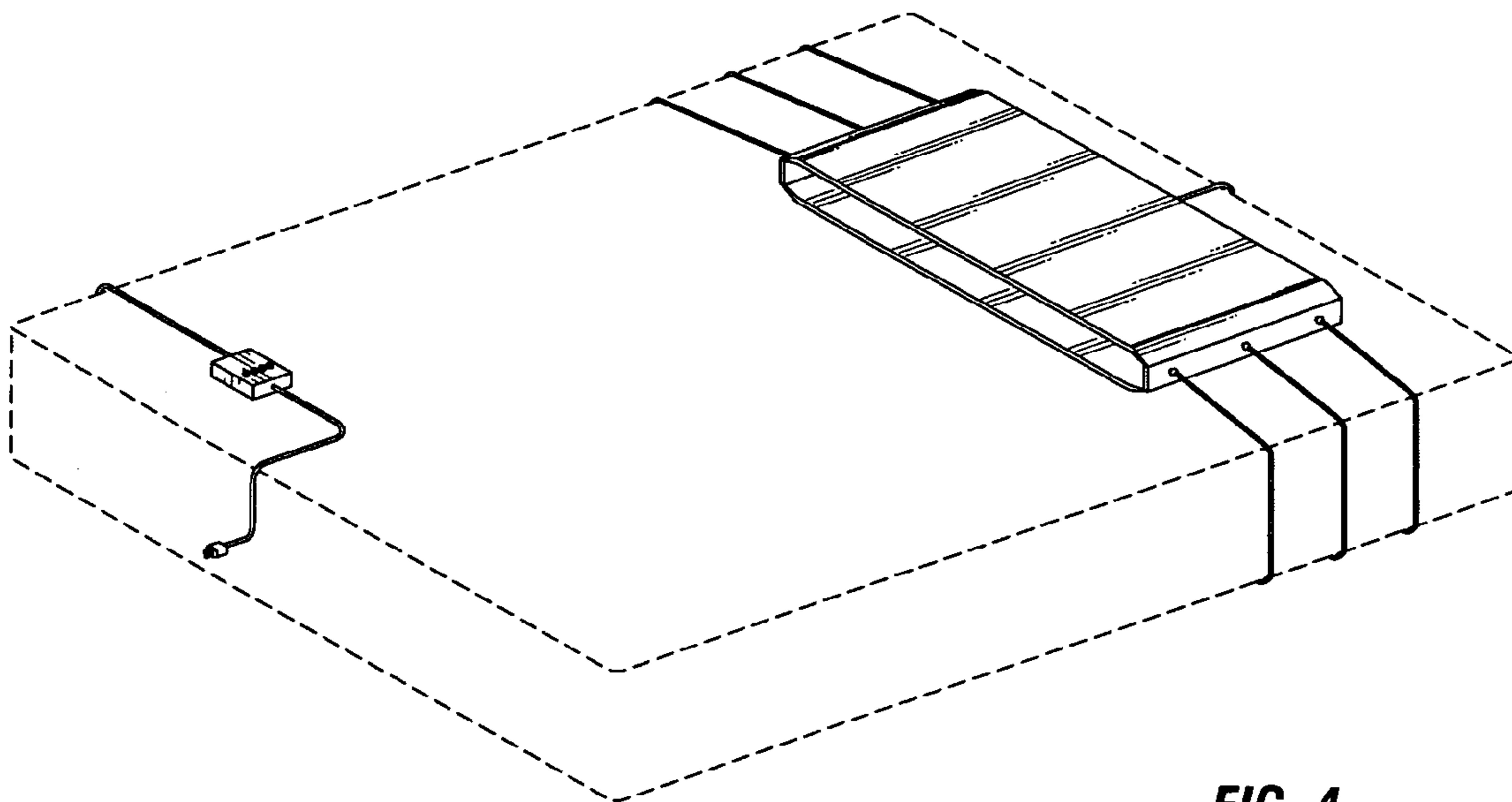


FIG. 4