



US00D639972S

(12) **United States Design Patent**
Krause et al.

(10) **Patent No.:** **US D639,972 S**
(45) **Date of Patent:** **** *Jun. 14, 2011**

(54) **SPA**

(75) Inventors: **Andrew K. Krause**, East Grand Rapids, MI (US); **Robert Scott Fuller**, Grand Rapids, MI (US); **Maurizio Vozza**, Grandville, MI (US)

(73) Assignee: **Nordic Products, Inc.**, Grand Rapids, MI (US)

(**) Term: **14 Years**

(21) Appl. No.: **29/310,096**

(22) Filed: **Jul. 25, 2008**

Related U.S. Application Data

(63) Continuation of application No. 11/492,475, filed on Jul. 25, 2006, now abandoned.

(51) **LOC (9) Cl.** **24-04**

(52) **U.S. Cl.** **D24/204; D23/277**

(58) **Field of Classification Search** D24/201, D24/204, 205; D23/277; 601/154-158; 4/541.1-541.6, 547, 578.1, 579

See application file for complete search history.

(56) **References Cited**

U.S. PATENT DOCUMENTS

4,316,294 A * 2/1982 Baldwin 4/538
D270,561 S * 9/1983 Brossier D23/277
D393,056 S * 3/1998 Kolada D23/280.1

D435,296 S * 12/2000 Jacuzzi D24/204
D468,828 S * 1/2003 Collins et al. D24/204
D566,287 S * 4/2008 da Costa D24/204
D592,737 S * 5/2009 Cunningham D23/277

* cited by examiner

Primary Examiner — Cathron C Brooks

Assistant Examiner — Melanie Levy

(74) *Attorney, Agent, or Firm* — Raggio & Dinnin, P.C.

(57) **CLAIM**

The ornamental design for a spa, as shown and described.

DESCRIPTION

FIG. 1 is a perspective view of the design for a spa shell in accordance with the present invention.

FIG. 2 is a top view of the design for a spa as shown in FIG. 1.

FIG. 3 is a front elevation of the design for a spa shell as shown in FIG. 1.

FIG. 4 is a cross sectional view of the design for a spa shell taken along line 4—4 of FIG. 2.

FIG. 5 is a cross sectional view of the design for a spa shell taken along line 5—5 of FIG. 2.

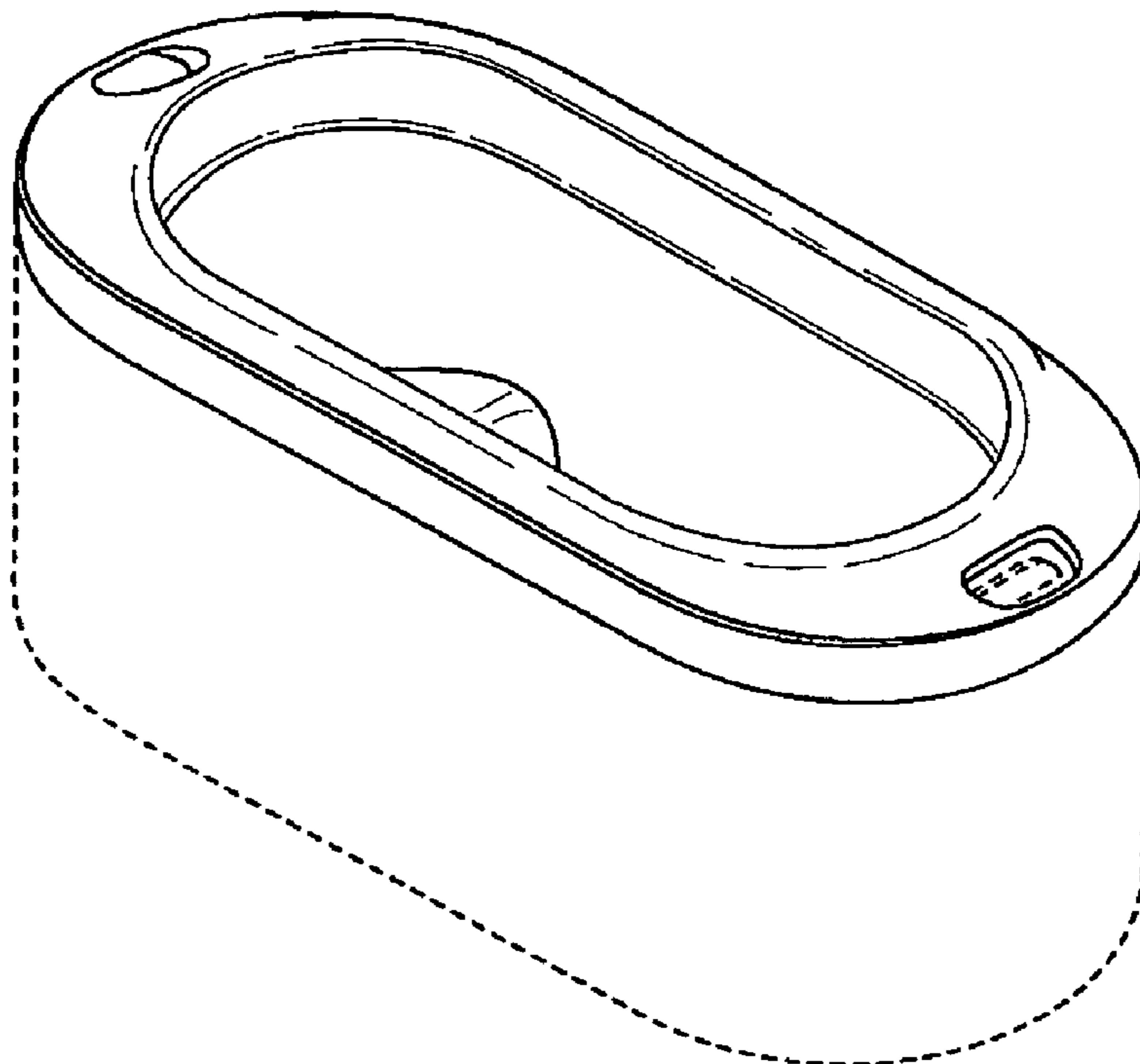
FIG. 6 is a side elevation view of the design for a spa shell as shown in FIG. 1.

FIG. 7 is a perspective view of the design for a spa in accordance with the present invention; and,

FIG. 8 is a back elevation of the design for the spa shell as shown in FIG. 1.

The broken lines shown in the drawings represent unclaimed portions of the spa and form no part of the claimed design.

1 Claim, 3 Drawing Sheets



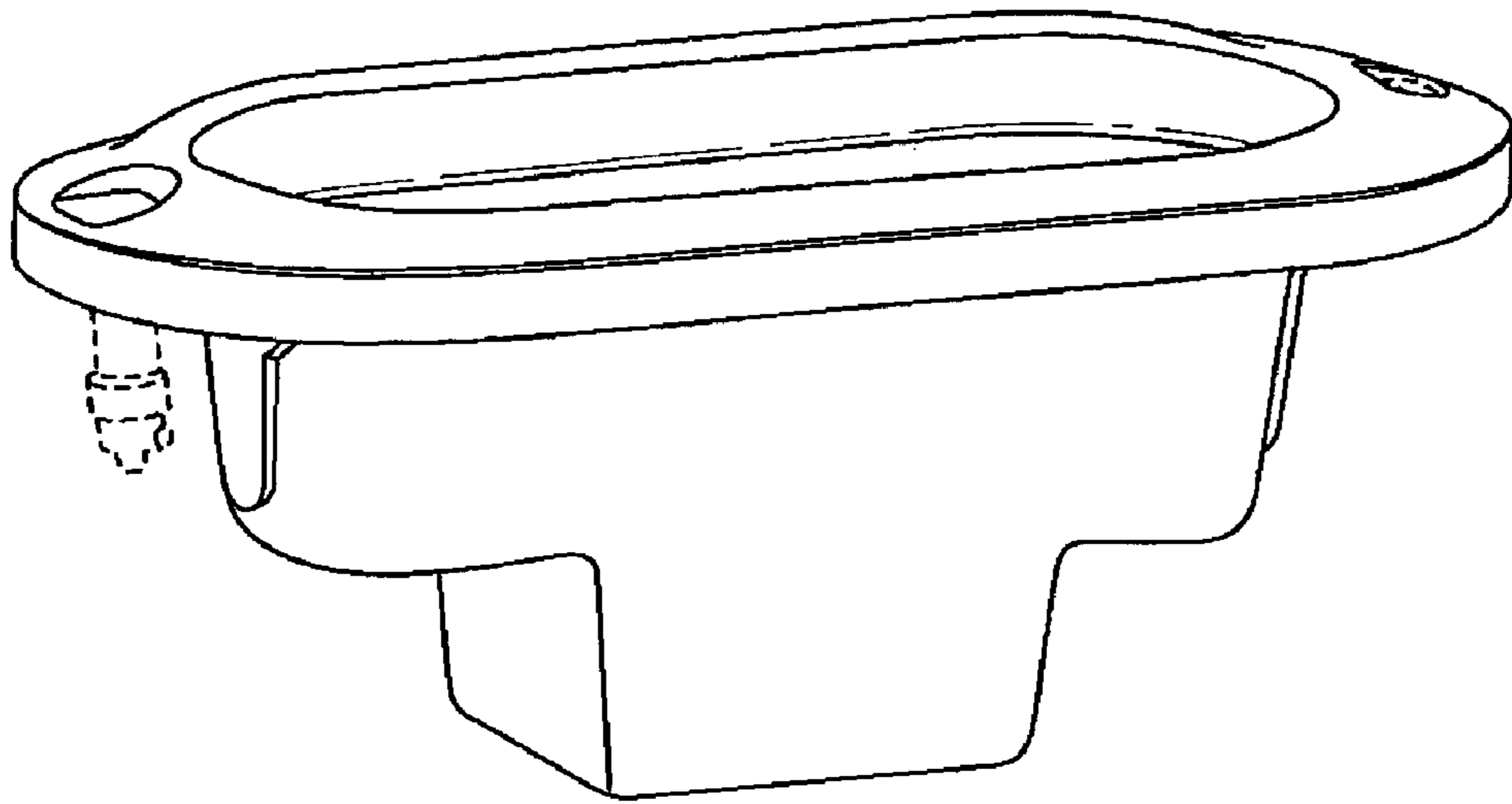


FIG. 1

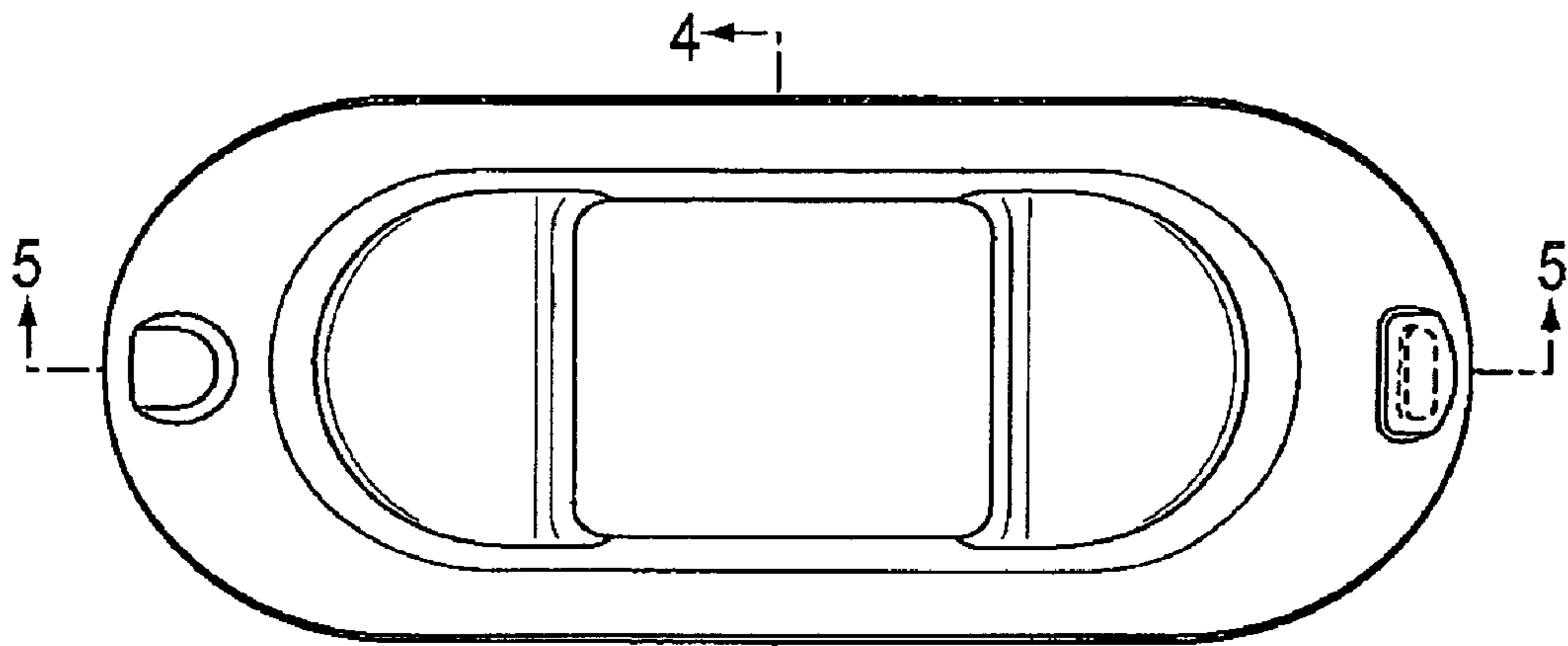


FIG. 2

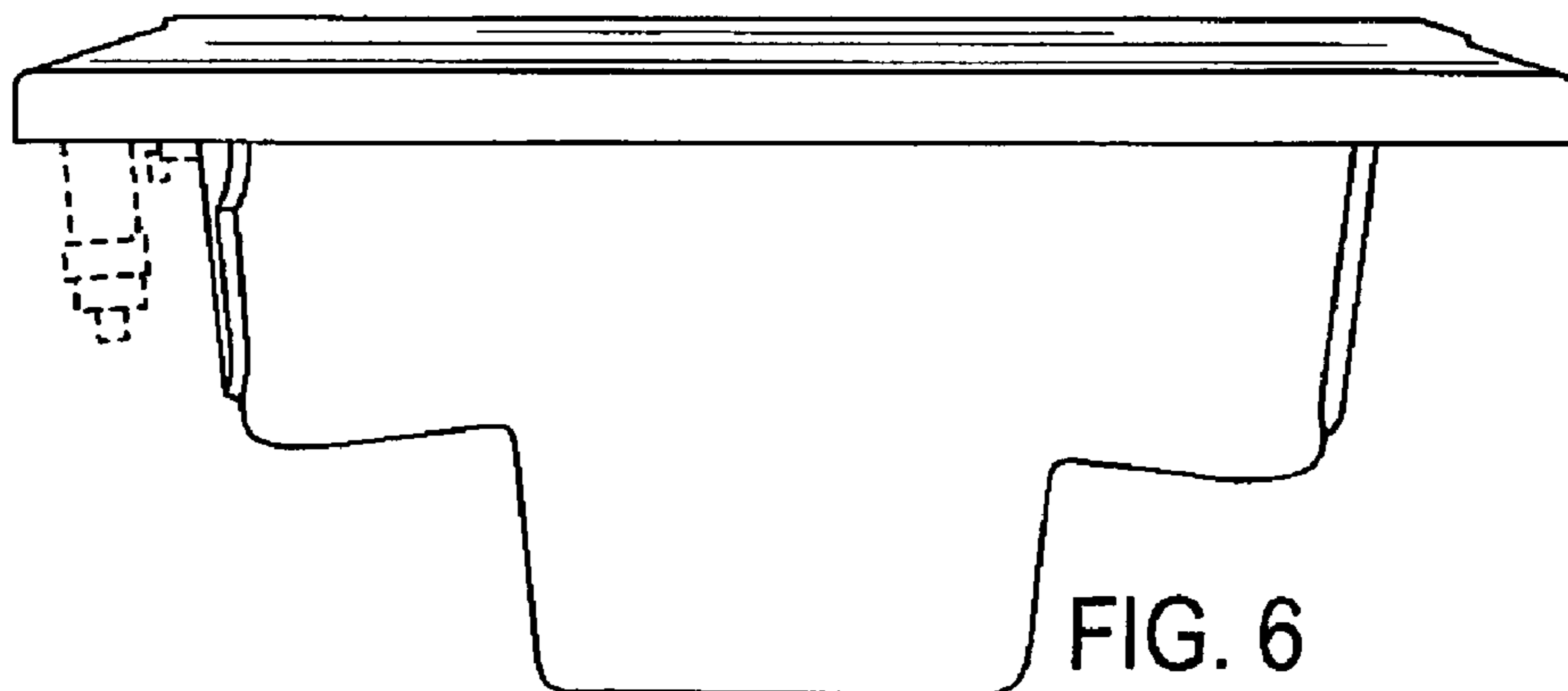


FIG. 6

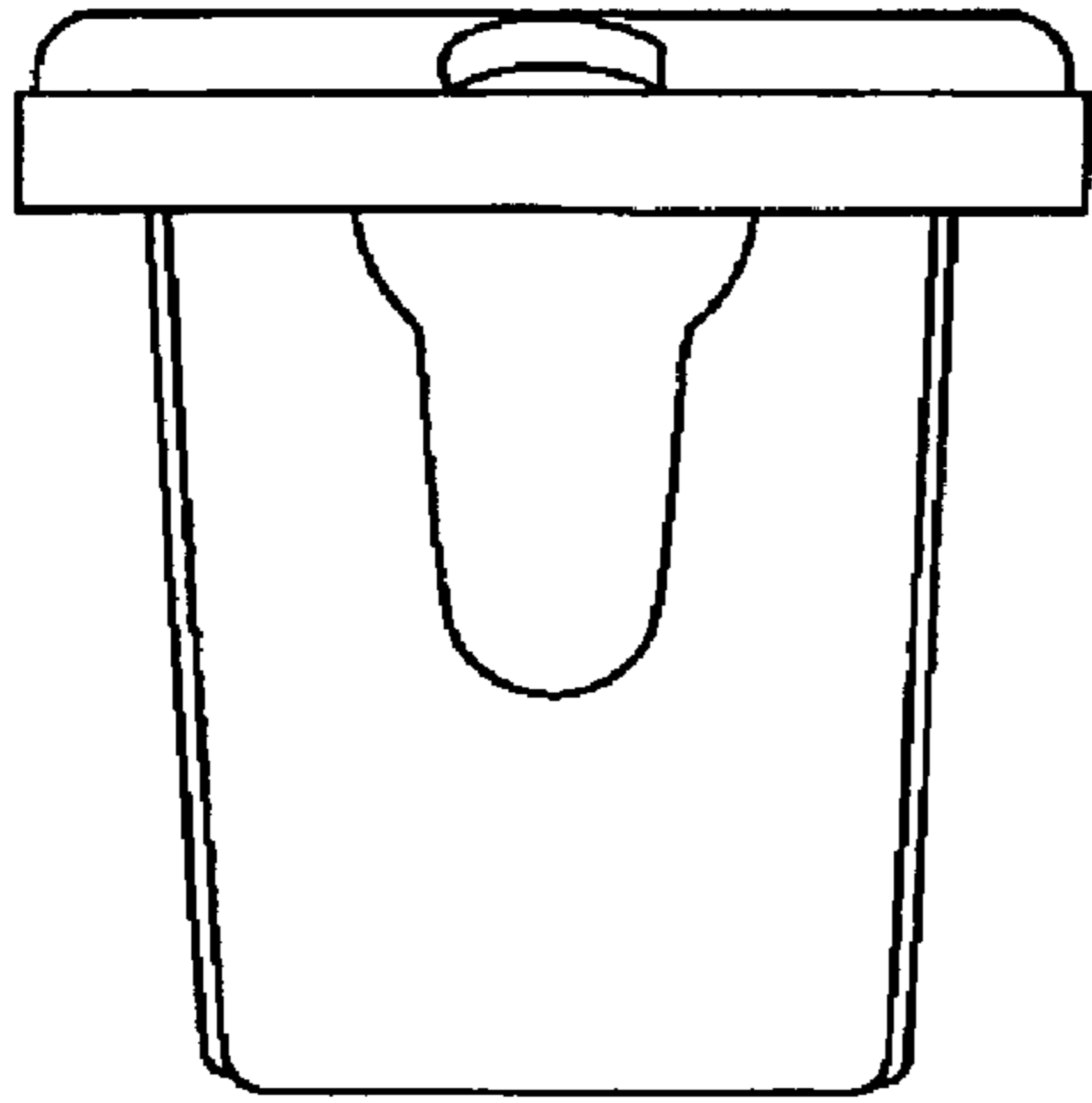


FIG. 3

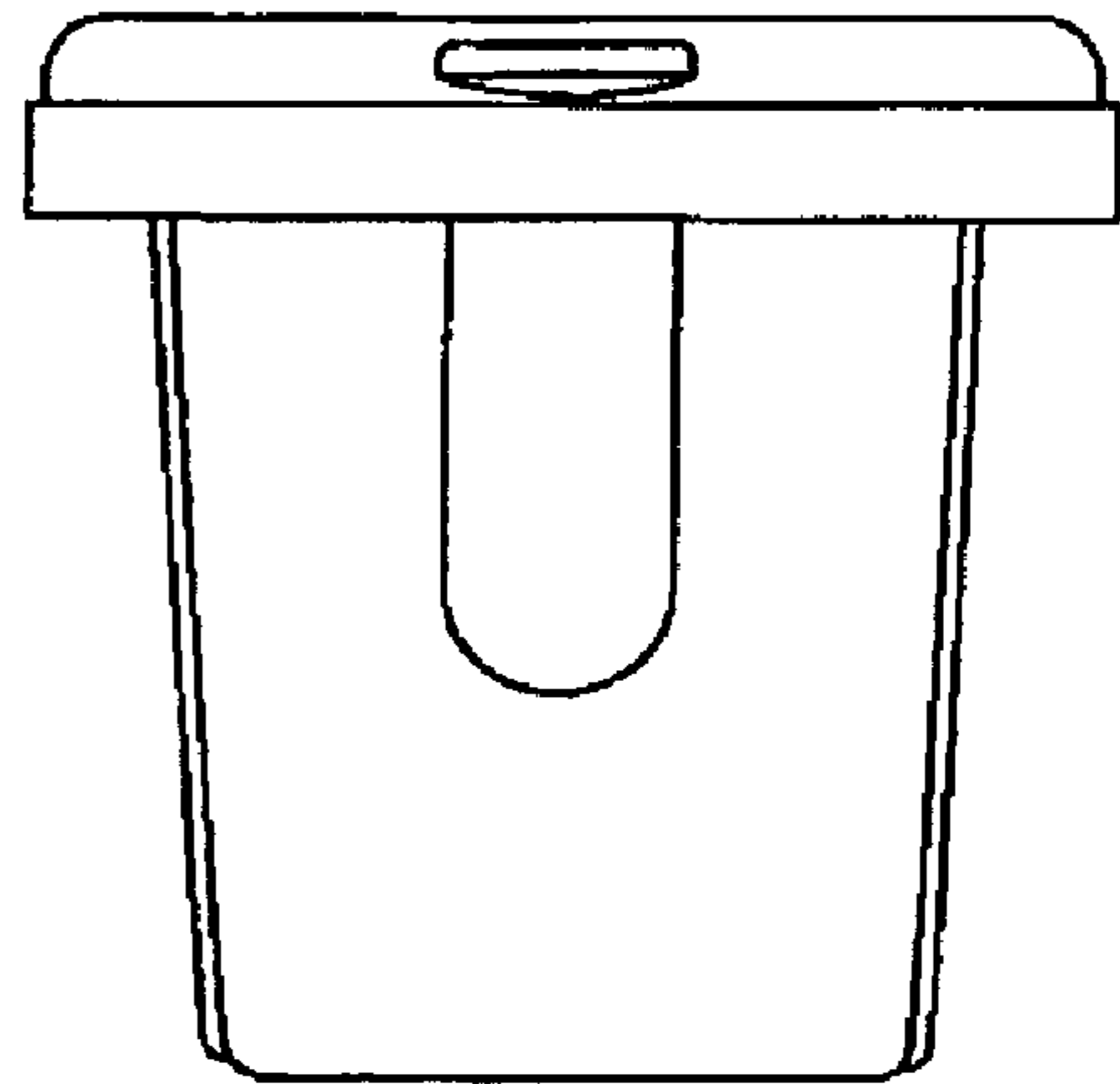


FIG. 8

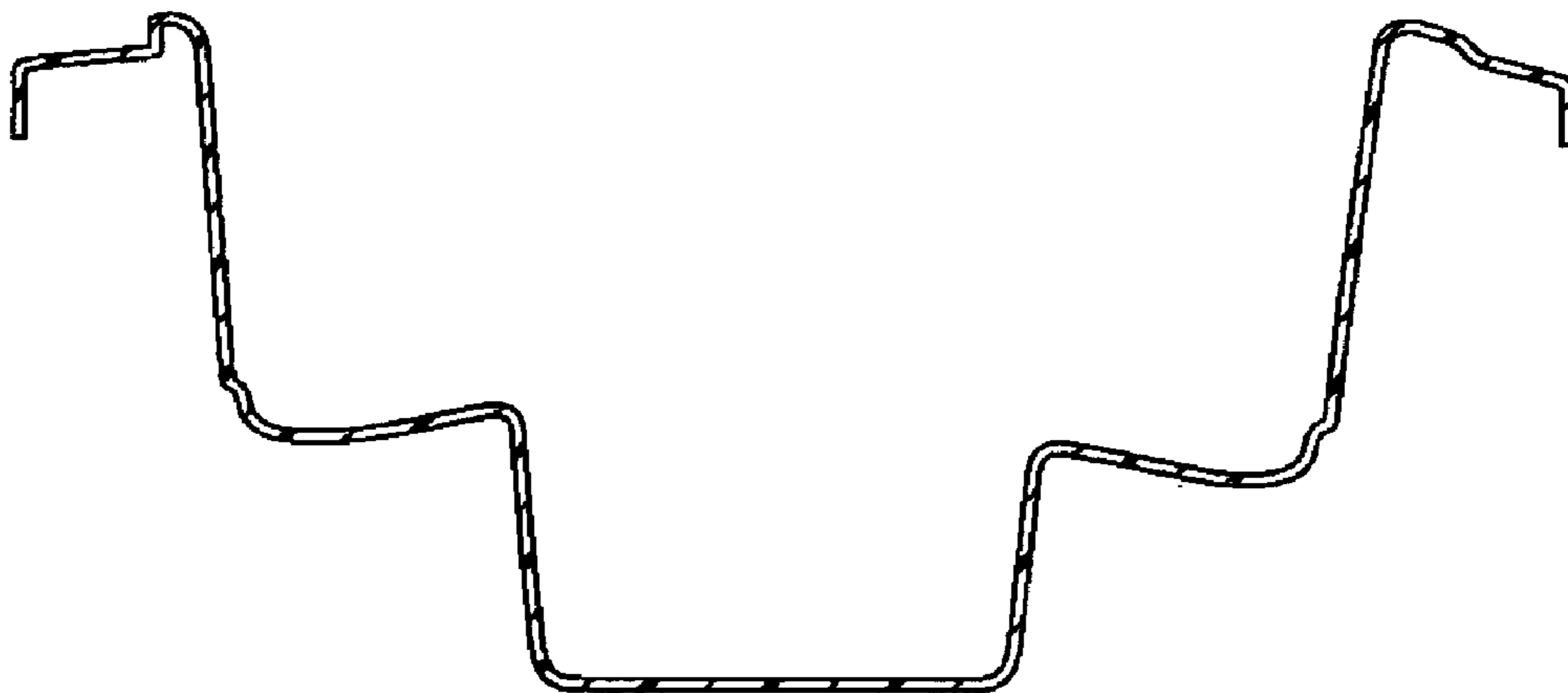


FIG. 5

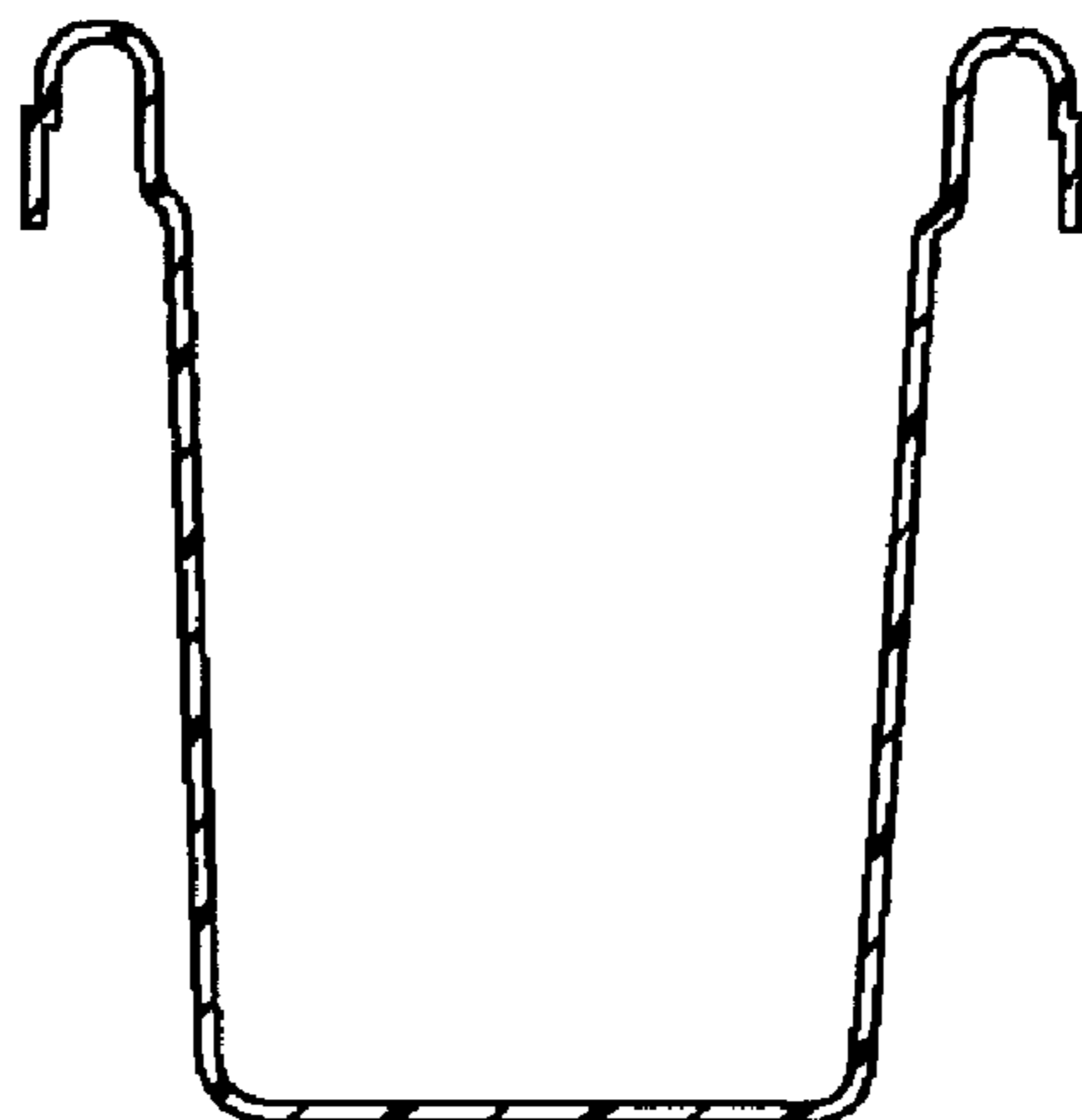


FIG. 4

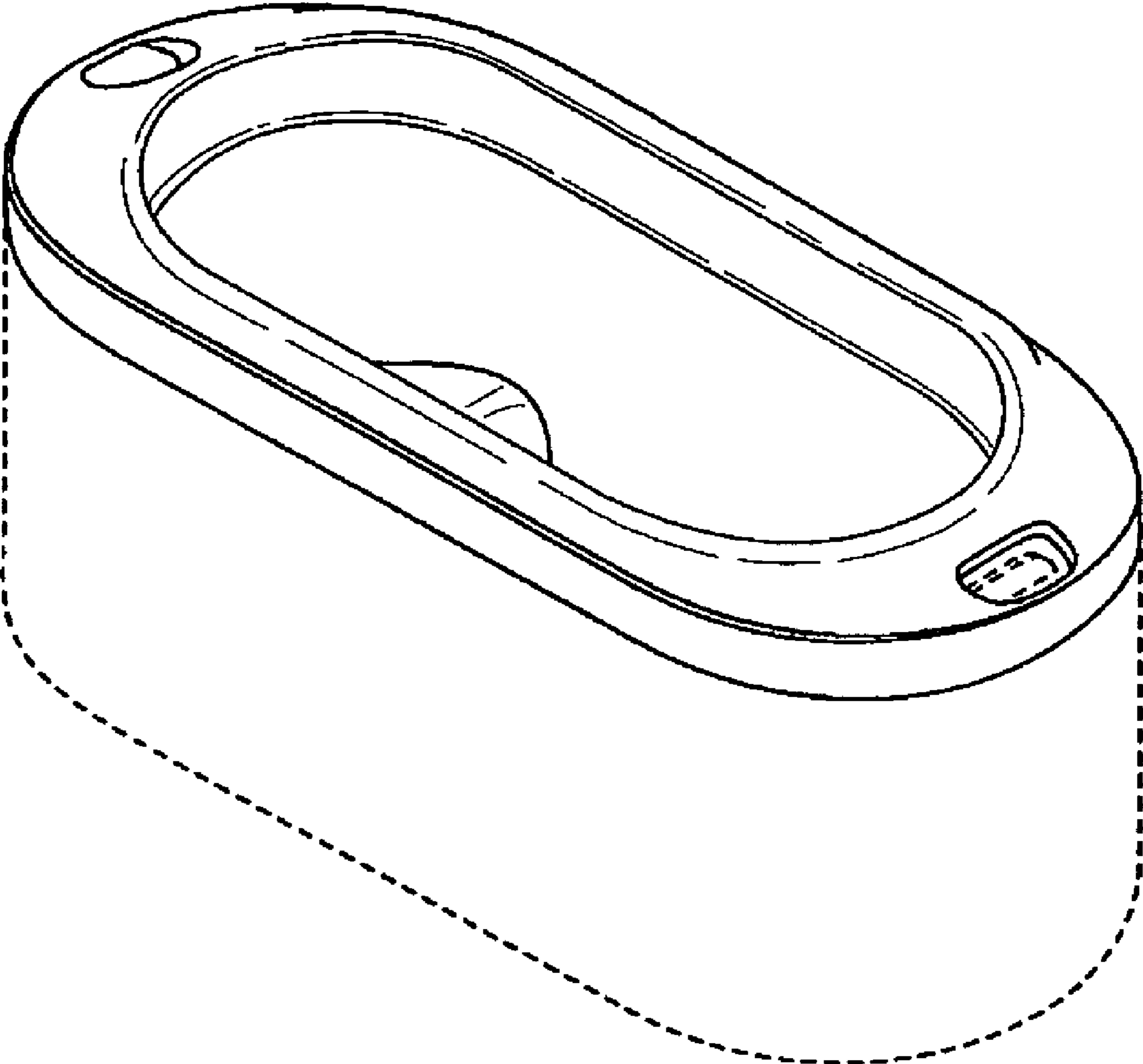


FIG. 7