



US00D639969S

(12) **United States Design Patent**
Pukall et al.

(10) **Patent No.:** **US D639,969 S**
(45) **Date of Patent:** **** Jun. 14, 2011**

(54) **NIPPLE FOR A FEEDING BOTTLE**

(75) Inventors: **Britta Pukall**, Wädenswil (CH);
Therese Naef, Wettingen (CH); **Mario Rigert**, Buchrain (CH); **Erich Pfenniger**, Ebikon (CH); **Timothy D. Killinger**, Woodstock, IL (US)

(73) Assignee: **Medela Holding AG**, Baar (CH)

(**) Term: **14 Years**

(21) Appl. No.: **29/378,089**

(22) Filed: **Oct. 29, 2010**

Related U.S. Application Data

(62) Division of application No. 29/345,501, filed on Oct. 16, 2009, now Pat. No. Des. 636,495.

(30) **Foreign Application Priority Data**

Apr. 24, 2009 (WO) DM/071 748

(51) **LOC (9) Cl.** **24-04**

(52) **U.S. Cl.** **D24/196; D24/197**

(58) **Field of Classification Search** D24/193–194,
D24/196–197, 199; D9/434–436, 446–447;
215/11.1–11.6, 392; 606/234–236; D7/376

See application file for complete search history.

(56) **References Cited**

U.S. PATENT DOCUMENTS

1,099,082	A	6/1914	Decker	
1,106,927	A *	8/1914	Decker	215/11.6
1,146,639	A *	7/1915	Miller	215/11.5
1,466,190	A *	8/1923	Richmond	215/11.1
1,733,184	A	3/1927	Decker	
D93,102	S	8/1934	Hamiel	
D102,161	S	12/1936	England	
2,196,870	A *	4/1940	Little	215/11.1
2,822,102	A *	2/1958	Holland	215/11.1

D211,434	S	6/1968	Atkin
D217,085	S	4/1970	Zenger
3,530,979	A	9/1970	Merrill, Jr. et al.
3,651,973	A	3/1972	Yamauchi
D264,380	S	5/1982	Chrones
D269,906	S	7/1983	Cerasari
D309,948	S	8/1990	Chambers
D316,900	S	5/1991	White et al.
D341,206	S	11/1993	Tsuji

(Continued)

FOREIGN PATENT DOCUMENTS

JP D1245274 7/2005

(Continued)

OTHER PUBLICATIONS

RCD Online—Design consultation service—Teats for feeding bottles, printed on Aug. 10, 2009.

(Continued)

Primary Examiner — Susan E Krakower

(74) *Attorney, Agent, or Firm* — McDonnell Boehnen Hulbert & Berghoff LLP

(57) **CLAIM**

The ornamental design for a nipple for a feeding bottle, as shown and described.

DESCRIPTION

FIG. 1 is a nipple for a feeding bottle in a perspective view showing our new design;

FIG. 2 is a side view thereof;

FIG. 3 is a different side view thereof;

FIG. 4 is a different side view thereof;

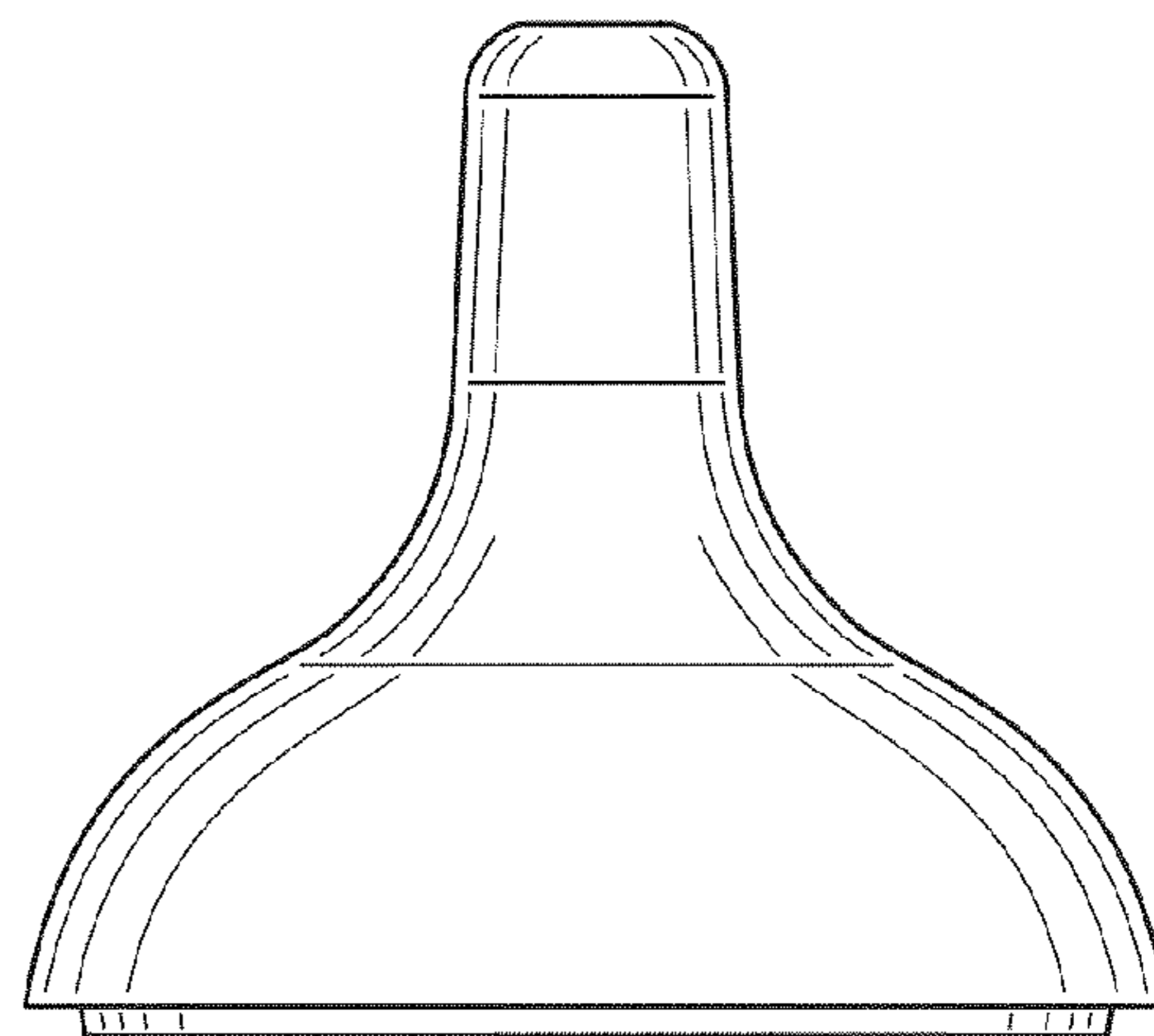
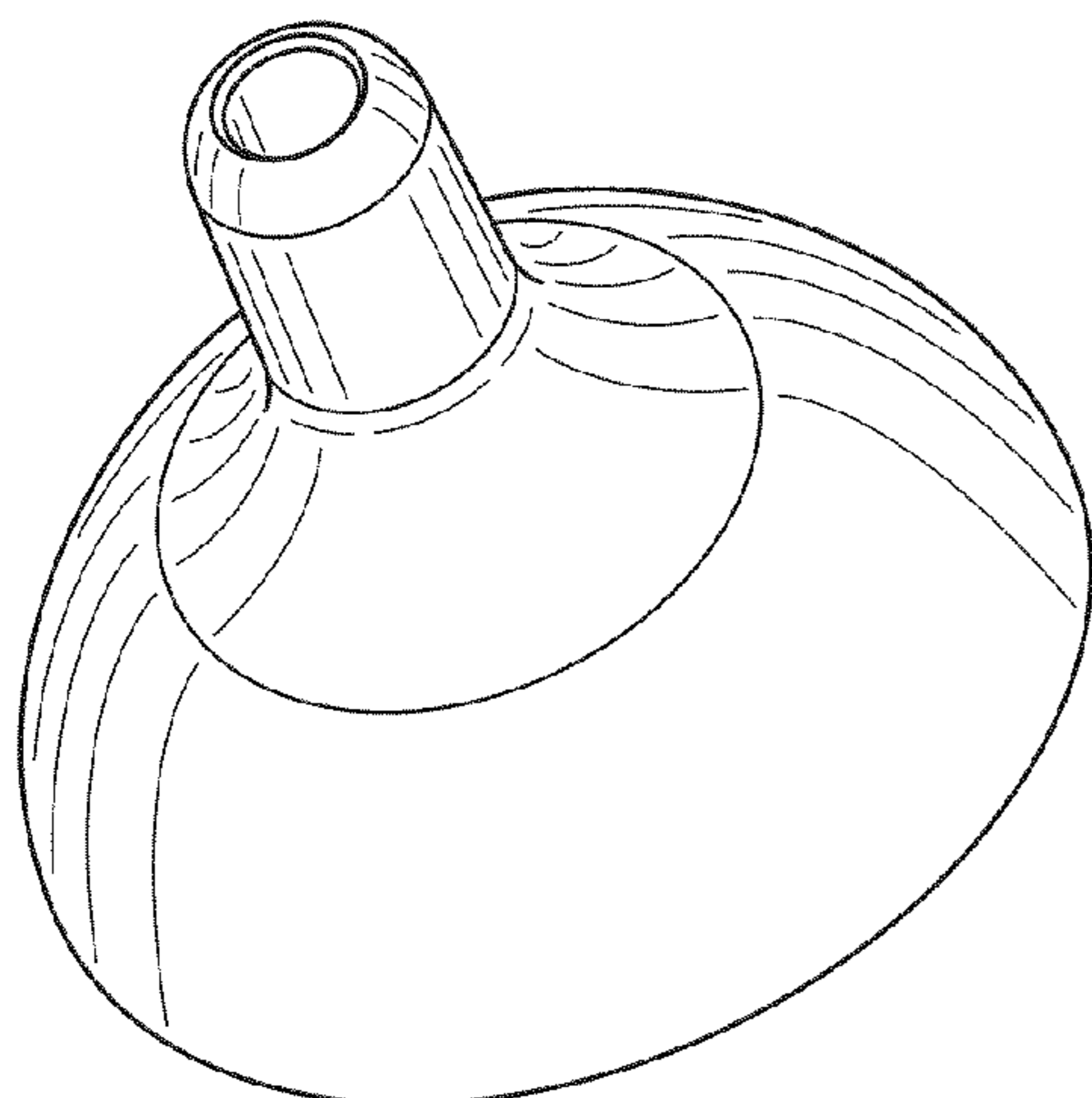
FIG. 5 is a different side view thereof;

FIG. 6 is a top view thereof; and,

FIG. 7 is a bottom view thereof.

The broken lines illustrate portions of the drawings that form no part of the claimed design.

1 Claim, 7 Drawing Sheets



US D639,969 S

Page 2

U.S. PATENT DOCUMENTS

D341,892 S 11/1993 Yagi
5,277,324 A 1/1994 Cash
5,353,964 A 10/1994 Liu et al.
5,653,732 A 8/1997 Sheehy
5,673,806 A 10/1997 Busnel
5,687,861 A * 11/1997 Wiedemann 215/11.3
5,791,503 A 8/1998 Lyons
D399,004 S 9/1998 Johansen et al.
D405,530 S 2/1999 Manganiello et al.
6,003,698 A 12/1999 Morano
D421,306 S 2/2000 Meyers et al.
D439,983 S 4/2001 Dealing
D451,199 S 11/2001 Atkin et al.
D455,069 S * 4/2002 Johnson D9/503
D465,028 S 10/2002 Renz
D477,529 S 7/2003 Chan
D479,606 S 9/2003 Randolph
6,616,319 B2 9/2003 Renz
D488,560 S * 4/2004 Renz et al. D24/196
D498,849 S 11/2004 Randolph et al.
D499,808 S 12/2004 Mallet
D504,723 S 5/2005 Randolph et al.
D504,724 S 5/2005 Randolph et al.
D504,725 S 5/2005 Randolph et al.
7,036,975 B2 5/2006 Renz
D538,939 S 3/2007 Conaway et al.
D540,119 S 4/2007 Lapsker
D551,899 S 10/2007 Roehrig
D555,795 S 11/2007 Mallet

D564,665 S 3/2008 Kim
D589,153 S 3/2009 Rosales
D595,417 S 6/2009 Driver et al.
D599,481 S 9/2009 Drummond
D599,482 S 9/2009 Drummond
7,712,617 B2 * 5/2010 Silver 215/11.1
D620,125 S * 7/2010 Rees et al. D24/197
D625,423 S 10/2010 MacKay et al.
2004/0256345 A1 * 12/2004 Lundquist 215/11.5
2005/0247658 A1 * 11/2005 Renz 215/11.1
2006/0037927 A1 2/2006 Williams et al.
2008/0251486 A1 * 10/2008 Housley et al. 215/11.5
2009/0261054 A1 * 10/2009 Shelby 215/11.3
2009/0314733 A1 12/2009 Pfenniger et al.
2009/0314734 A1 * 12/2009 Pfenniger et al. 215/11.1

FOREIGN PATENT DOCUMENTS

JP D1387051 5/2010
JP D1245068 10/2010
KR 3002840120000 9/2001
KR 3003336590000 9/2003
KR 3004153200000 5/2006
KR 3004153200001 5/2006
TW D126744 1/2009

OTHER PUBLICATIONS

Search Report for corresponding Taiwanese design application No.
TW 98304765.

* cited by examiner

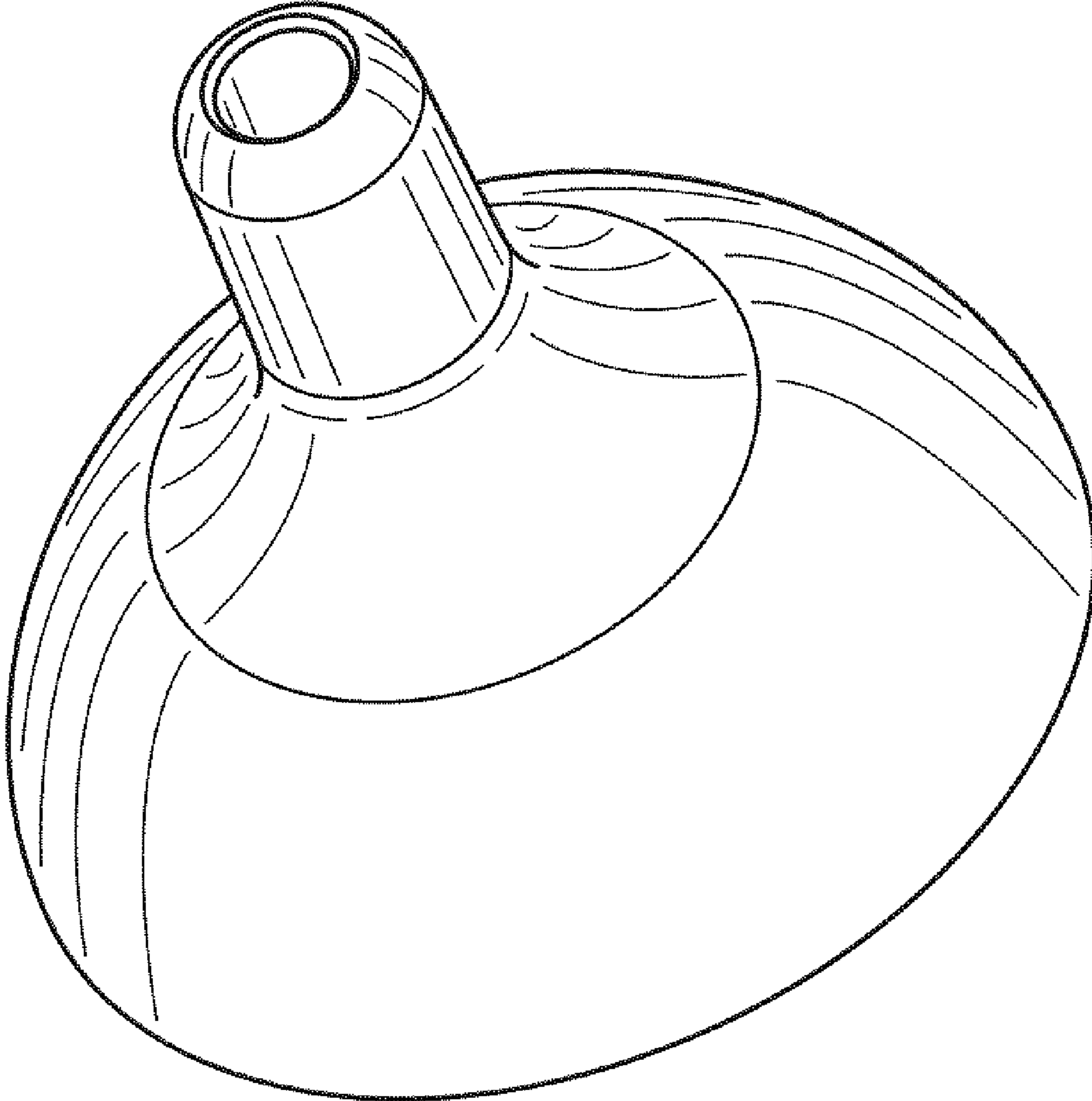


FIG. 1

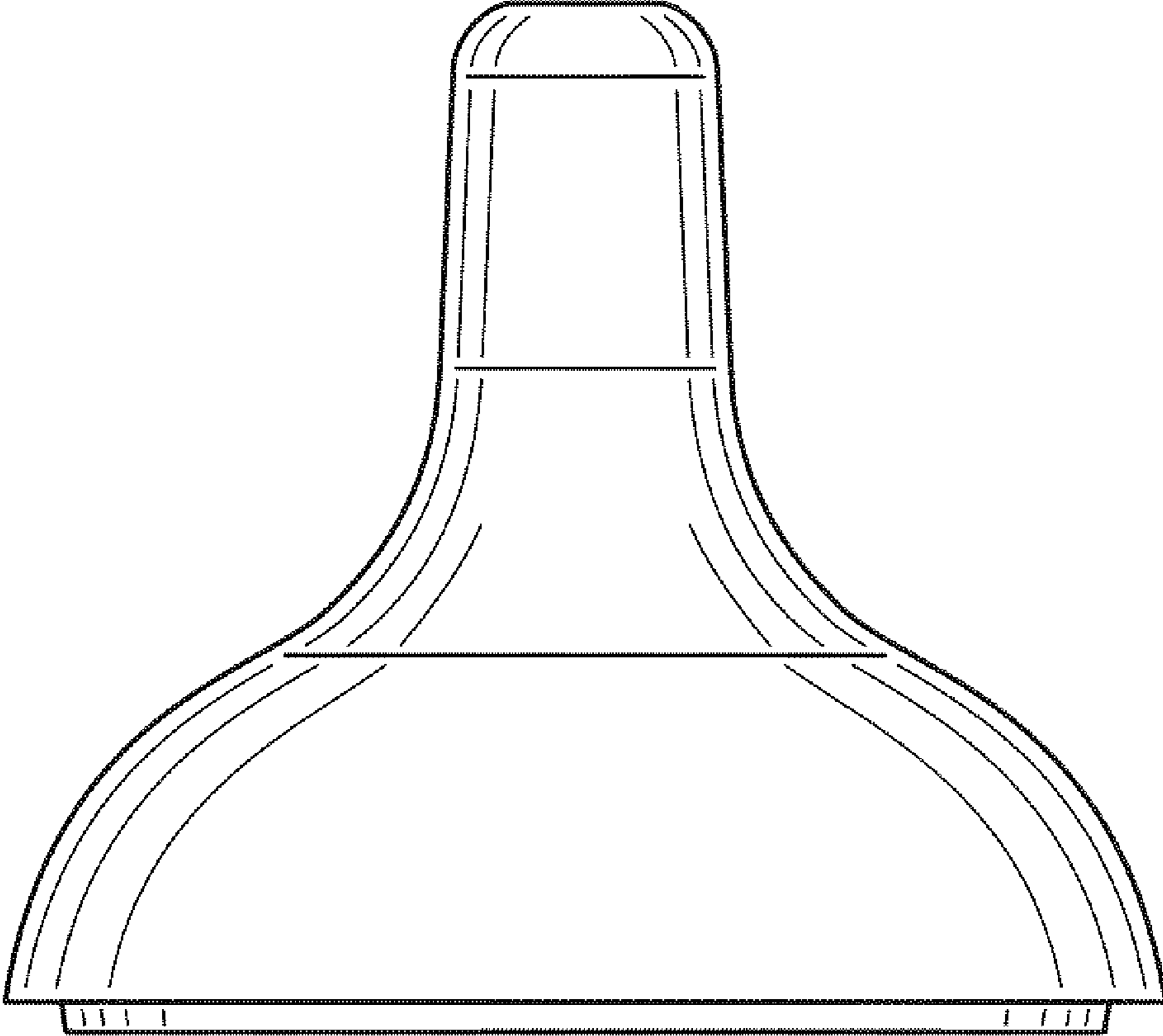


FIG. 2

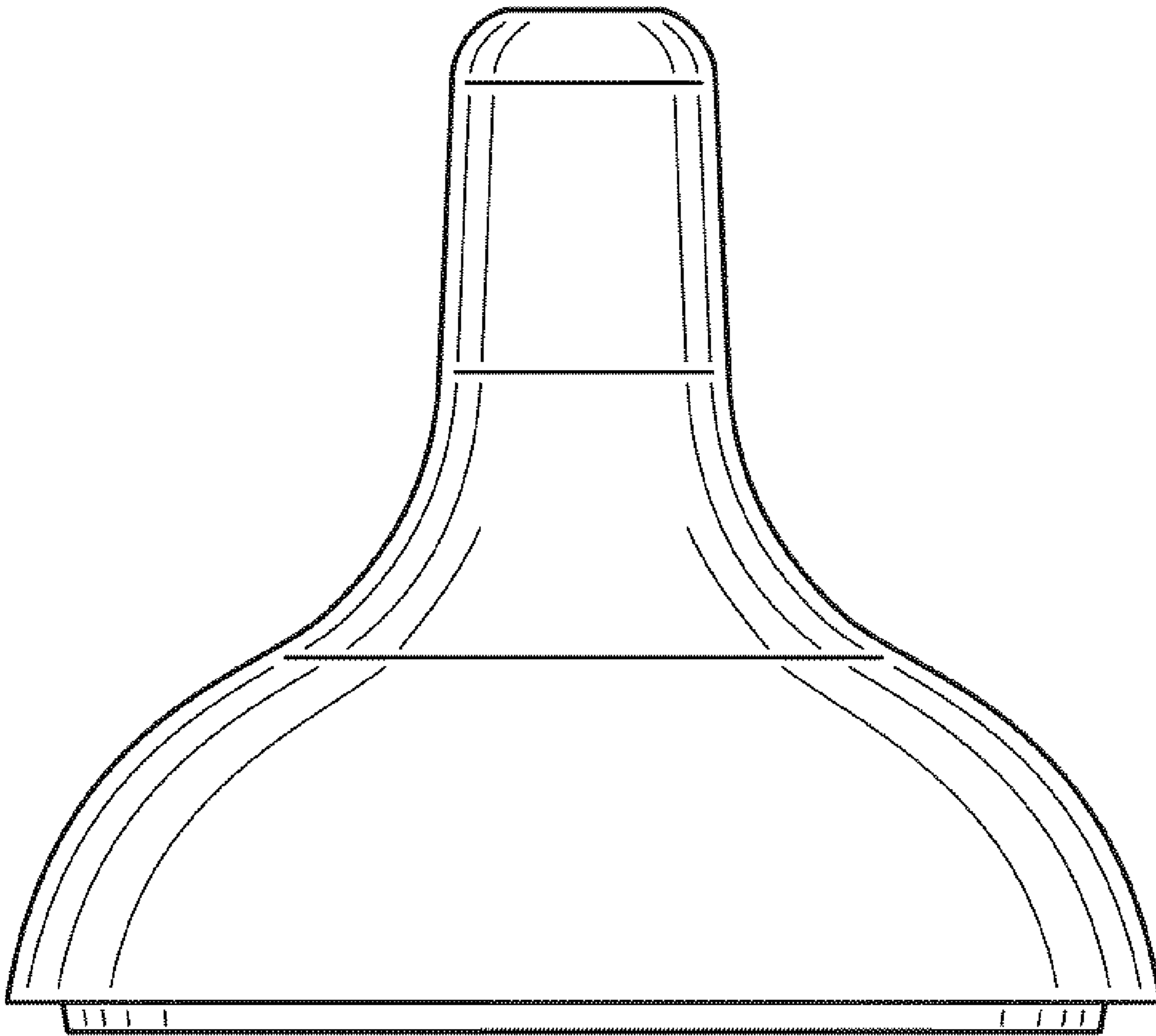


FIG. 3

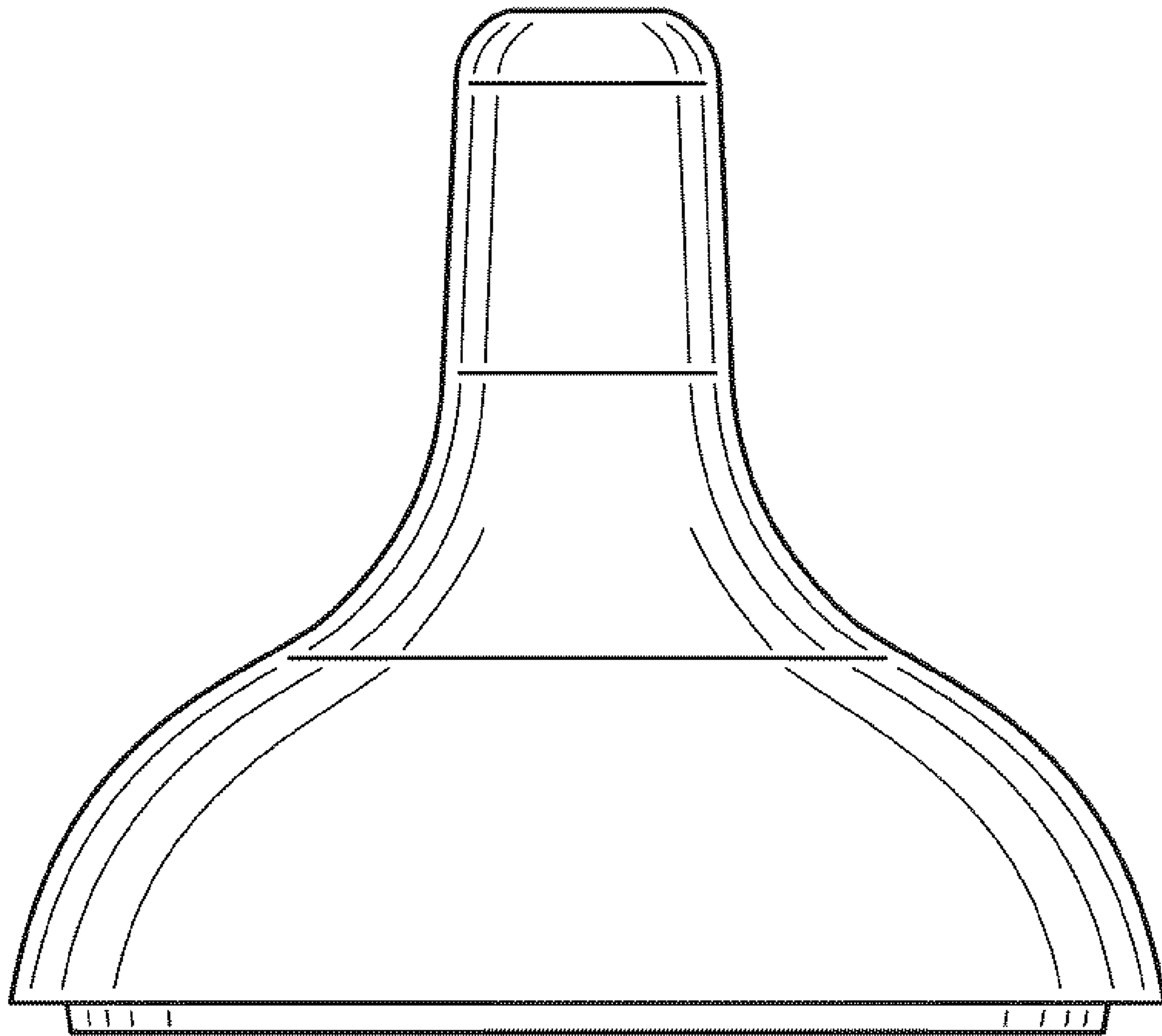


FIG. 4

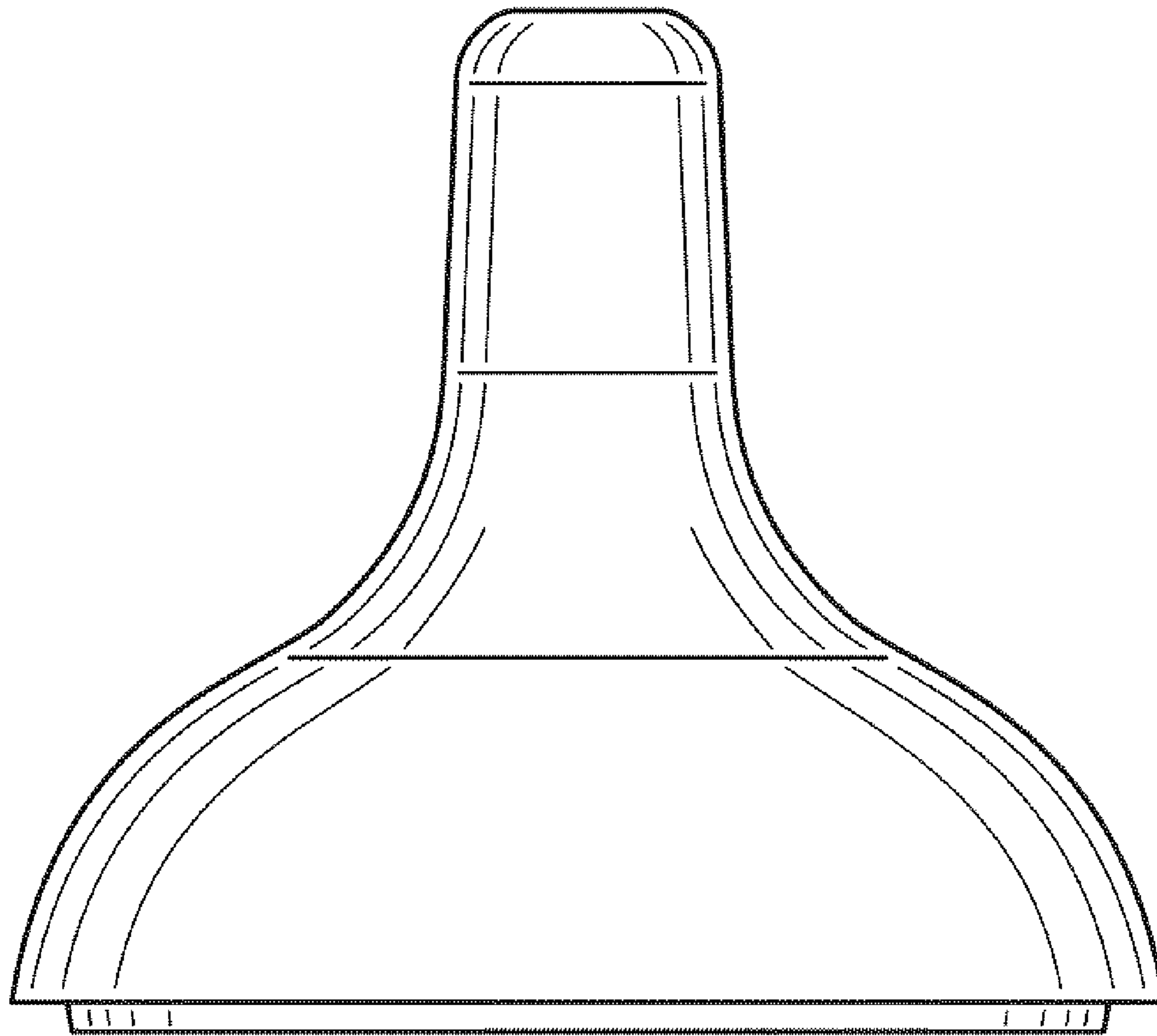


FIG. 5

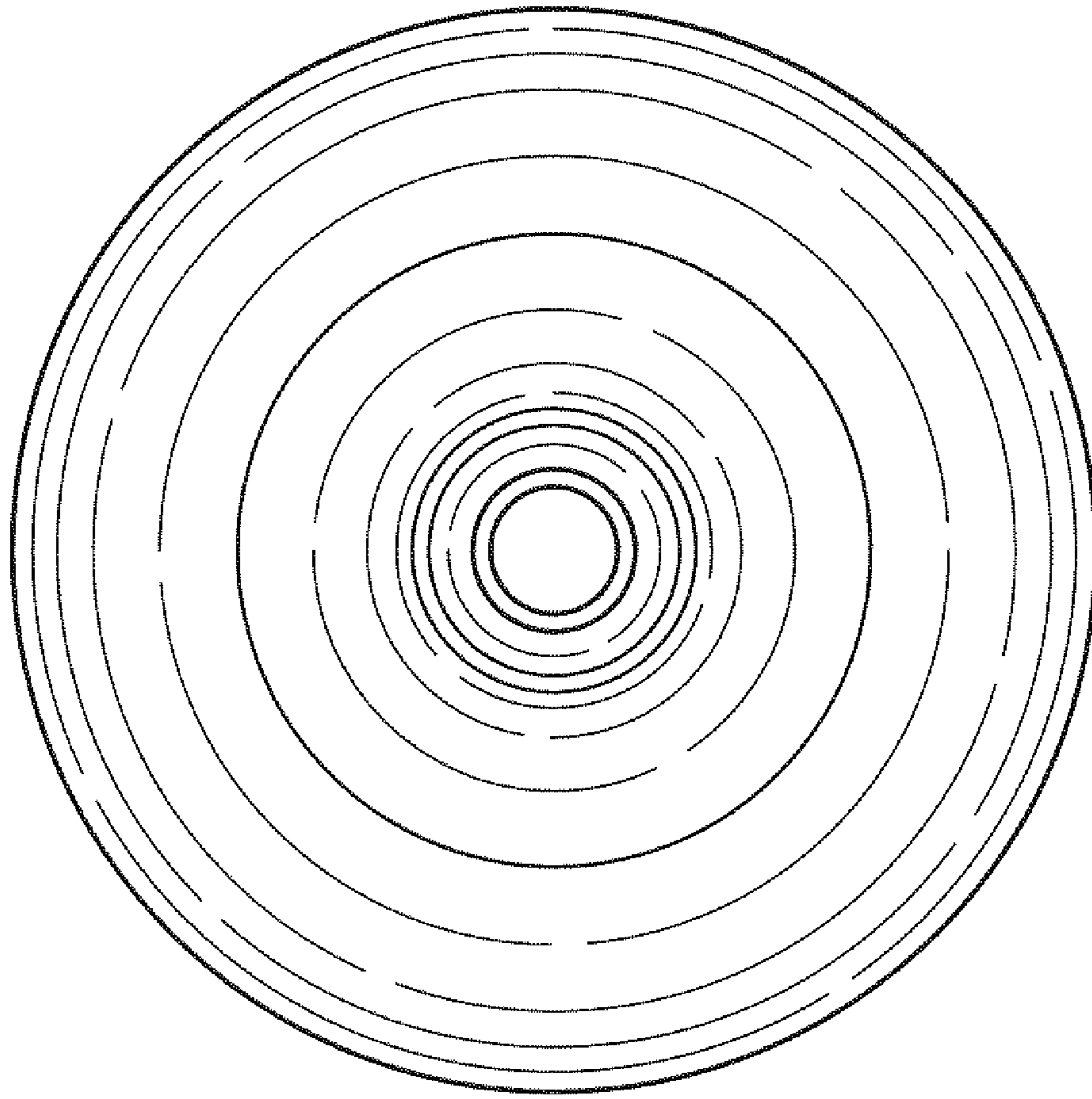


FIG. 6

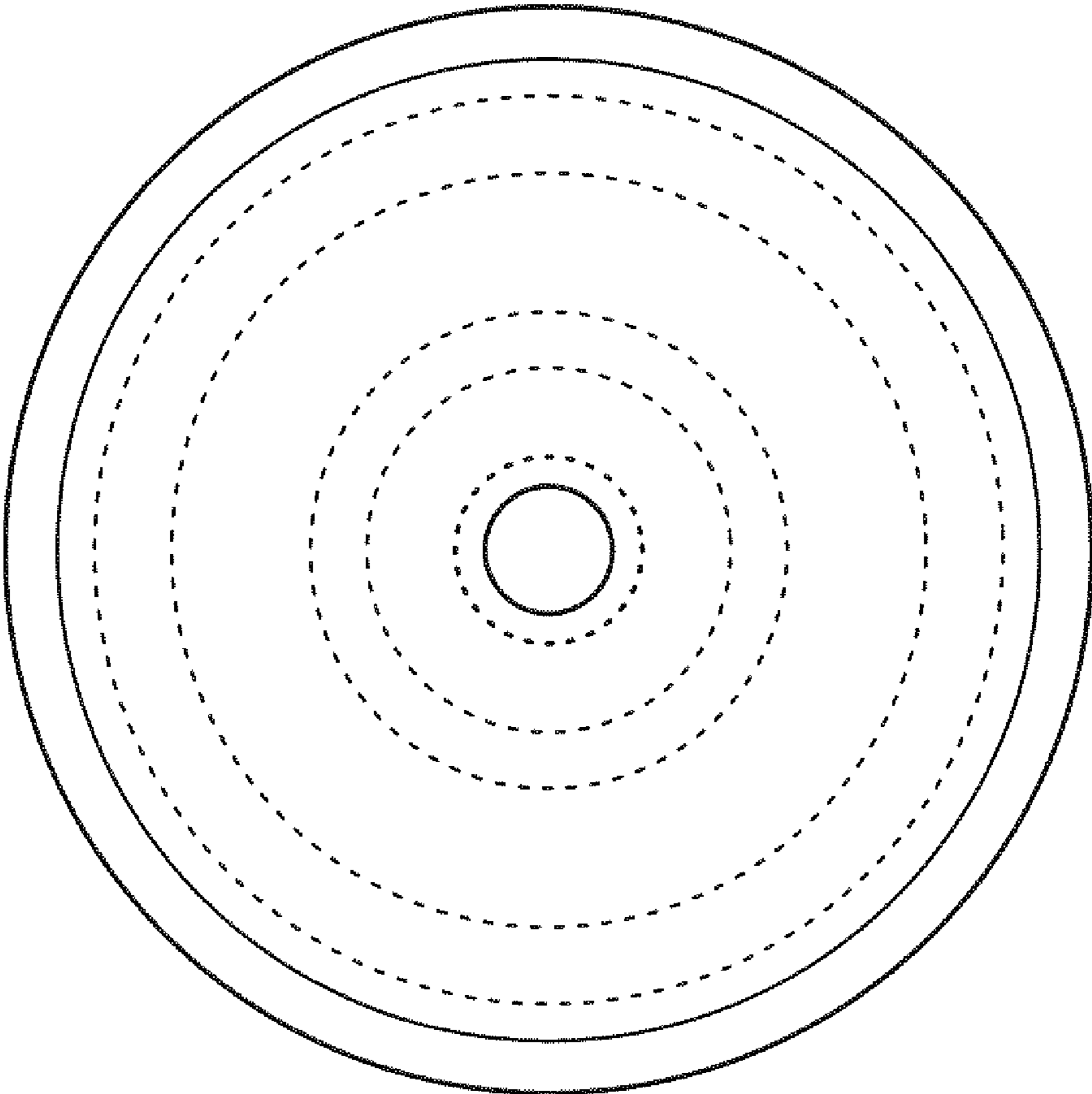


FIG. 7