



US00D639968S

(12) **United States Design Patent**
Pukall et al.

(10) **Patent No.:** **US D639,968 S**

(45) **Date of Patent:** **** Jun. 14, 2011**

(54) **CAP ASSEMBLY FOR A FEEDING BOTTLE**

(75) Inventors: **Britta Pukall**, Wädenswil (CH);
Therese Naef, Wettingen (CH); **Mario Rigert**, Buchrain (CH); **Erich Pfenniger**, Ebikon (CH); **Timothy D. Killinger**, Woodstock, IL (US)

(73) Assignee: **Medela Holding AG**, Baar (CH)

(**) Term: **14 Years**

(21) Appl. No.: **29/378,088**

(22) Filed: **Oct. 29, 2010**

Related U.S. Application Data

(62) Division of application No. 29/345,501, filed on Oct. 16, 2009, now Pat. No. Des. 636,495.

(30) **Foreign Application Priority Data**

Apr. 24, 2009 (WO) DM/071 748

(51) **LOC (9) Cl.** **24-04**

(52) **U.S. Cl.** **D24/196; D24/197**

(58) **Field of Classification Search** D24/193–194,
D24/196–197, 199; D9/434–436, 446–447;
215/11.1–11.6, 392; 606/234–236; D7/376

See application file for complete search history.

(56) **References Cited**

U.S. PATENT DOCUMENTS

1,099,082 A 6/1914 Decker
1,106,927 A 8/1914 Decker
1,146,639 A 7/1915 Miller
1,466,190 A 8/1923 Richmond
1,733,184 A 3/1927 Decker
D93,102 S 8/1934 Hamiel
D102,161 S 12/1936 England
2,196,870 A 4/1940 Little
2,822,102 A 2/1958 Holland
D211,434 S * 6/1968 Atkin D24/197

D217,085 S 4/1970 Zenger
3,530,979 A * 9/1970 Jarman et al. 206/525
3,651,973 A 3/1972 Yamauchi
D264,380 S 5/1982 Chrones
D269,906 S 7/1983 Cerasari
D309,948 S 8/1990 Chambers
D316,900 S 5/1991 White et al.

(Continued)

FOREIGN PATENT DOCUMENTS

JP D1245274 7/2005

(Continued)

OTHER PUBLICATIONS

RCD Online—Design consultation service—Teats for feeding bottles, printed on Aug. 10, 2009.

(Continued)

Primary Examiner — Susan E Krakower

(74) *Attorney, Agent, or Firm* — McDonnell Boehnen Hulbert & Berghoff LLP

(57) **CLAIM**

The ornamental design for a cap assembly for a feeding bottle, as shown and described.

DESCRIPTION

FIG. 1 is a side view of a cap assembly for a feeding bottle showing our new design;

FIG. 2 is a perspective view from the top thereof;

FIG. 3 is a side view thereof;

FIG. 4 is a different side view thereof;

FIG. 5 is a different side view thereof;

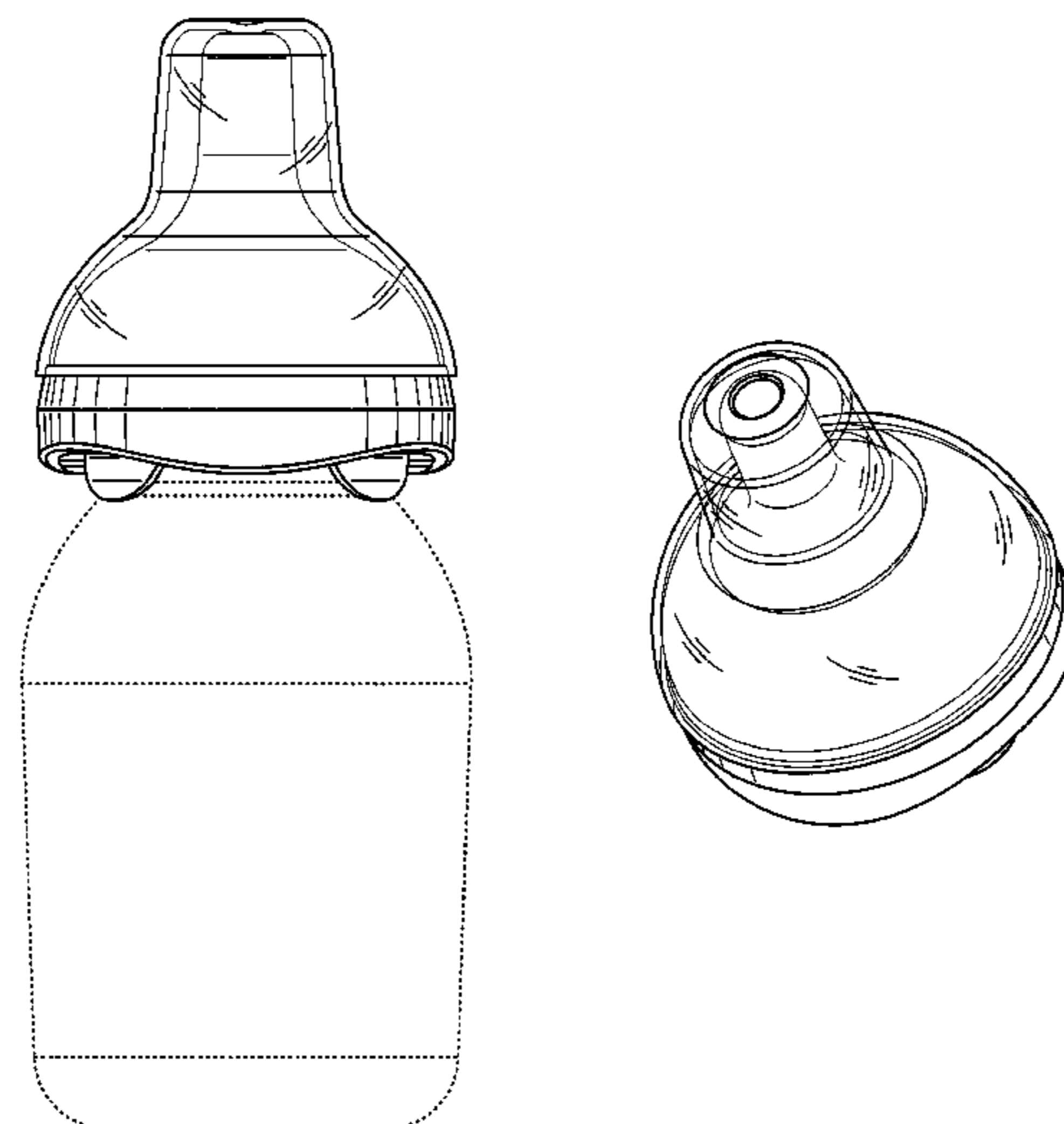
FIG. 6 is a different side view thereof;

FIG. 7 is a top view thereof; and,

FIG. 8 is a bottom view thereof.

The broken lines illustrate portions of the drawings that form no part of the claimed design.

1 Claim, 8 Drawing Sheets



US D639,968 S

Page 2

U.S. PATENT DOCUMENTS

D341,206 S * 11/1993 Tsuji D24/197
D341,892 S * 11/1993 Yagi D24/197
5,277,324 A 1/1994 Cash
5,353,964 A 10/1994 Liu et al.
5,653,732 A 8/1997 Sheehy
5,673,806 A 10/1997 Busnel
5,687,861 A 11/1997 Wiedemann
5,791,503 A 8/1998 Lyons
D399,004 S 9/1998 Johansen et al.
D405,530 S 2/1999 Manganiello et al.
6,003,698 A 12/1999 Morano
D421,306 S 2/2000 Meyers et al.
D439,983 S * 4/2001 Dealing D24/194
D451,199 S 11/2001 Atkin et al.
D455,069 S 4/2002 Johnson
D465,028 S 10/2002 Renz
D477,529 S * 7/2003 Chan D9/668
D479,606 S 9/2003 Randolph
6,616,319 B2 9/2003 Renz
D488,560 S 4/2004 Renz et al.
D498,849 S 11/2004 Randolph et al.
D499,808 S * 12/2004 Mallet D24/197
D504,723 S 5/2005 Randolph et al.
D504,724 S 5/2005 Randolph et al.
D504,725 S 5/2005 Randolph et al.
7,036,975 B2 5/2006 Renz
D538,939 S 3/2007 Conaway et al.
D540,119 S * 4/2007 Lapsker D7/510
D551,899 S 10/2007 Roehrig
D555,795 S * 11/2007 Mallet D24/197

D564,665 S 3/2008 Kim
D589,153 S 3/2009 Rosales
D595,417 S 6/2009 Driver et al.
D599,481 S 9/2009 Drummond
D599,482 S 9/2009 Drummond
7,712,617 B2 5/2010 Silver
D620,125 S 7/2010 Rees et al.
D625,423 S 10/2010 MacKay et al.
2004/0256345 A1 12/2004 Lundquist
2005/0247658 A1 11/2005 Renz
2006/0037927 A1 * 2/2006 Williams et al. 215/11.1
2008/0251486 A1 10/2008 Housley et al.
2009/0261054 A1 10/2009 Shelby
2009/0314733 A1 * 12/2009 Pfenniger et al. 215/11.1
2009/0314734 A1 * 12/2009 Pfenniger et al. 215/11.1

FOREIGN PATENT DOCUMENTS

JP D1387051 5/2010
JP D1245068 10/2010
KR 3002840120000 9/2001
KR 3003336590000 9/2003
KR 3004153200000 5/2006
KR 3004153200001 5/2006
TW D126744 1/2009

OTHER PUBLICATIONS

Search Report for corresponding Taiwanese design application No.
TW 98304765.

* cited by examiner

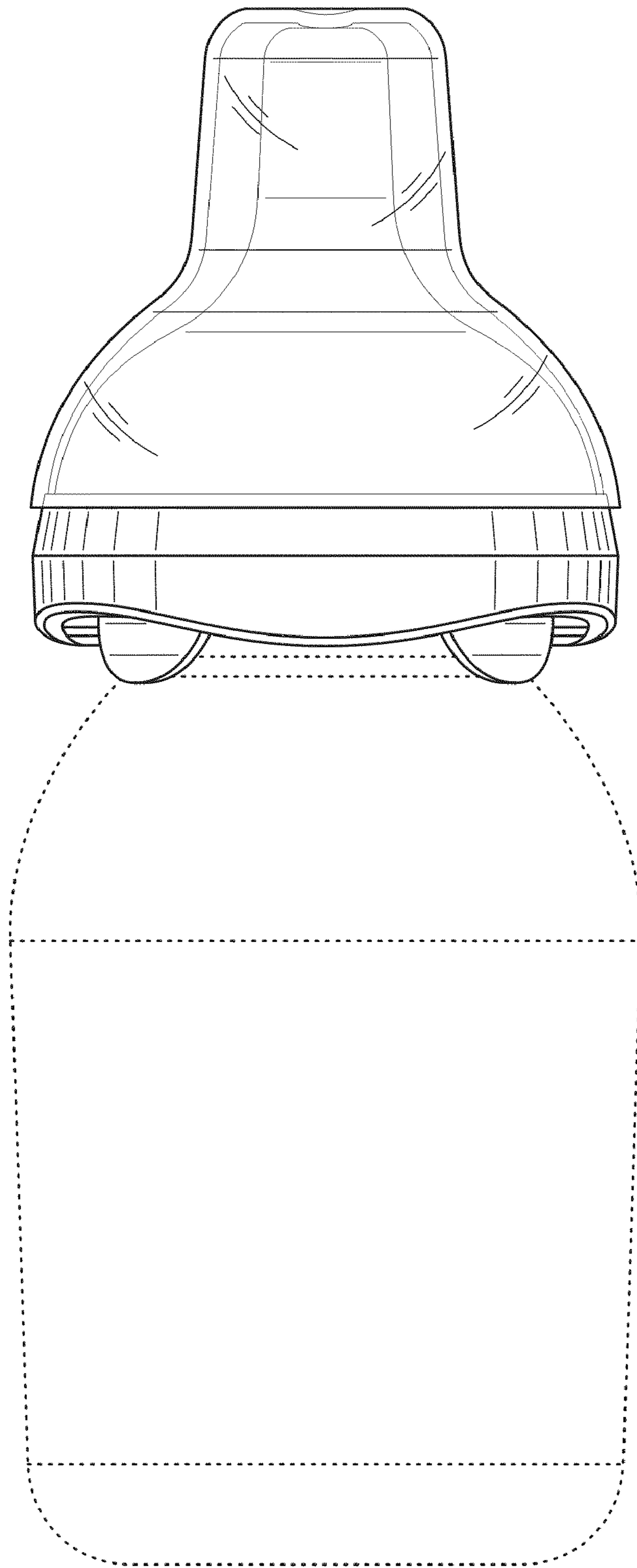


FIG. 1

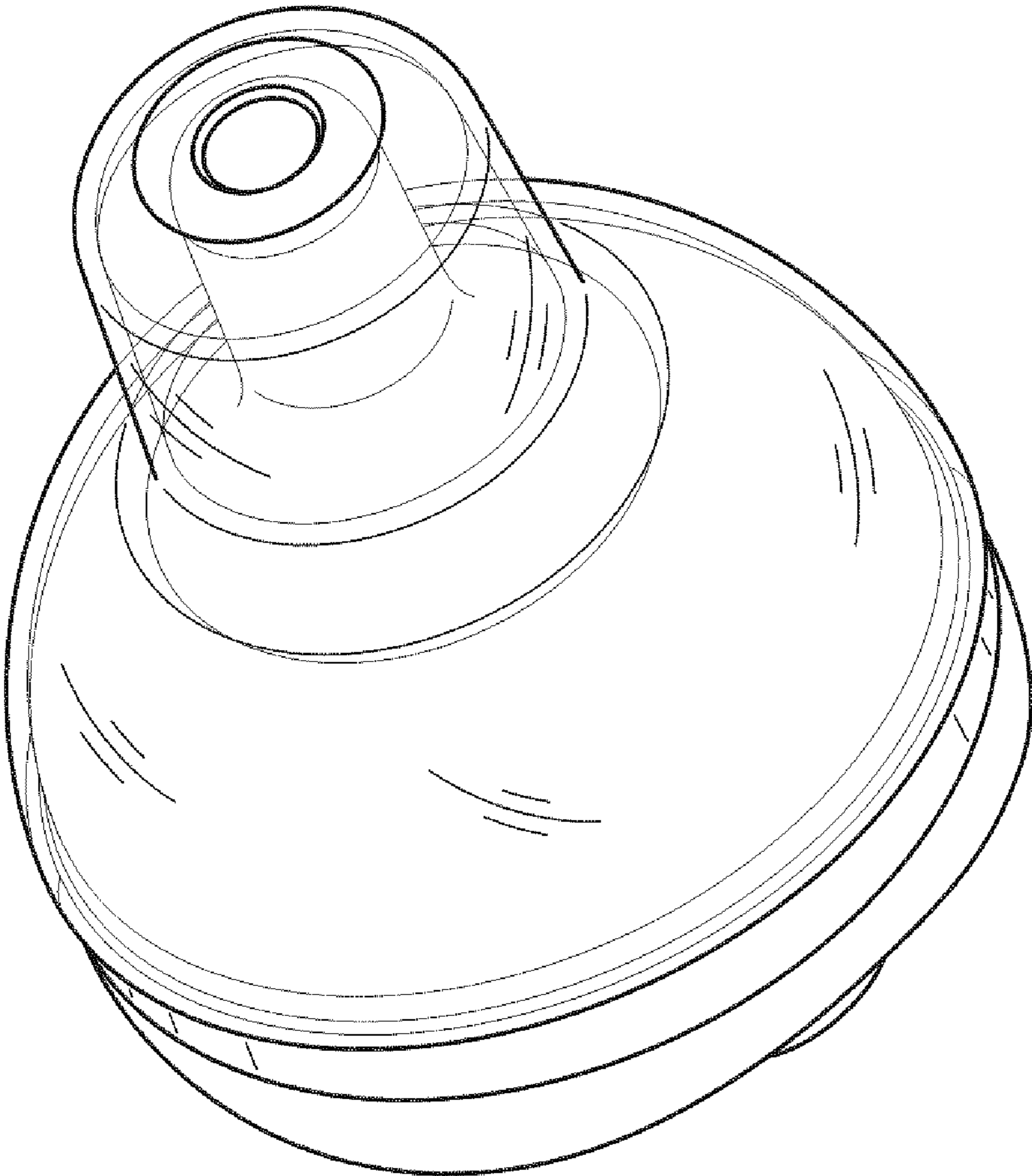


FIG. 2

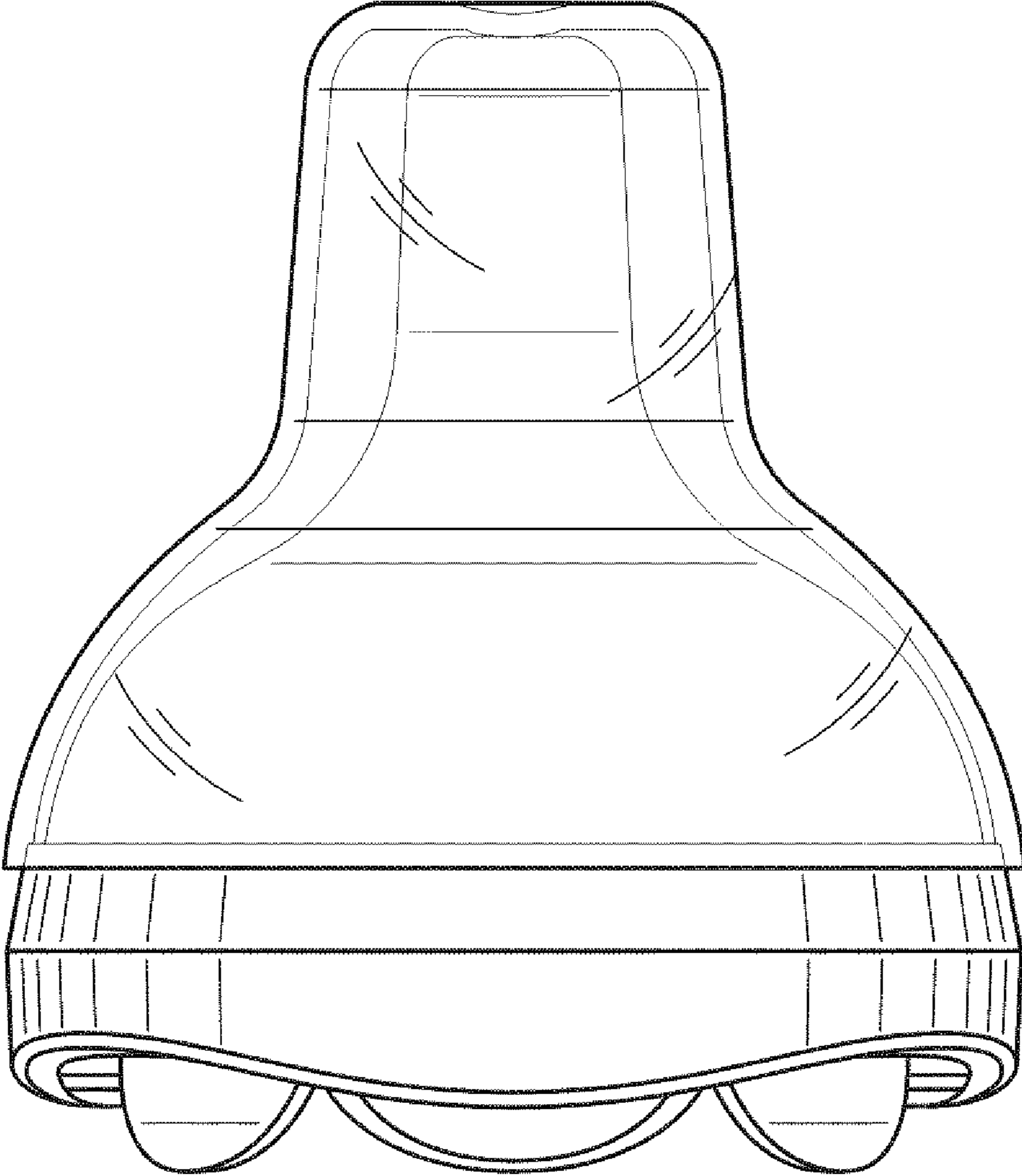


FIG. 3

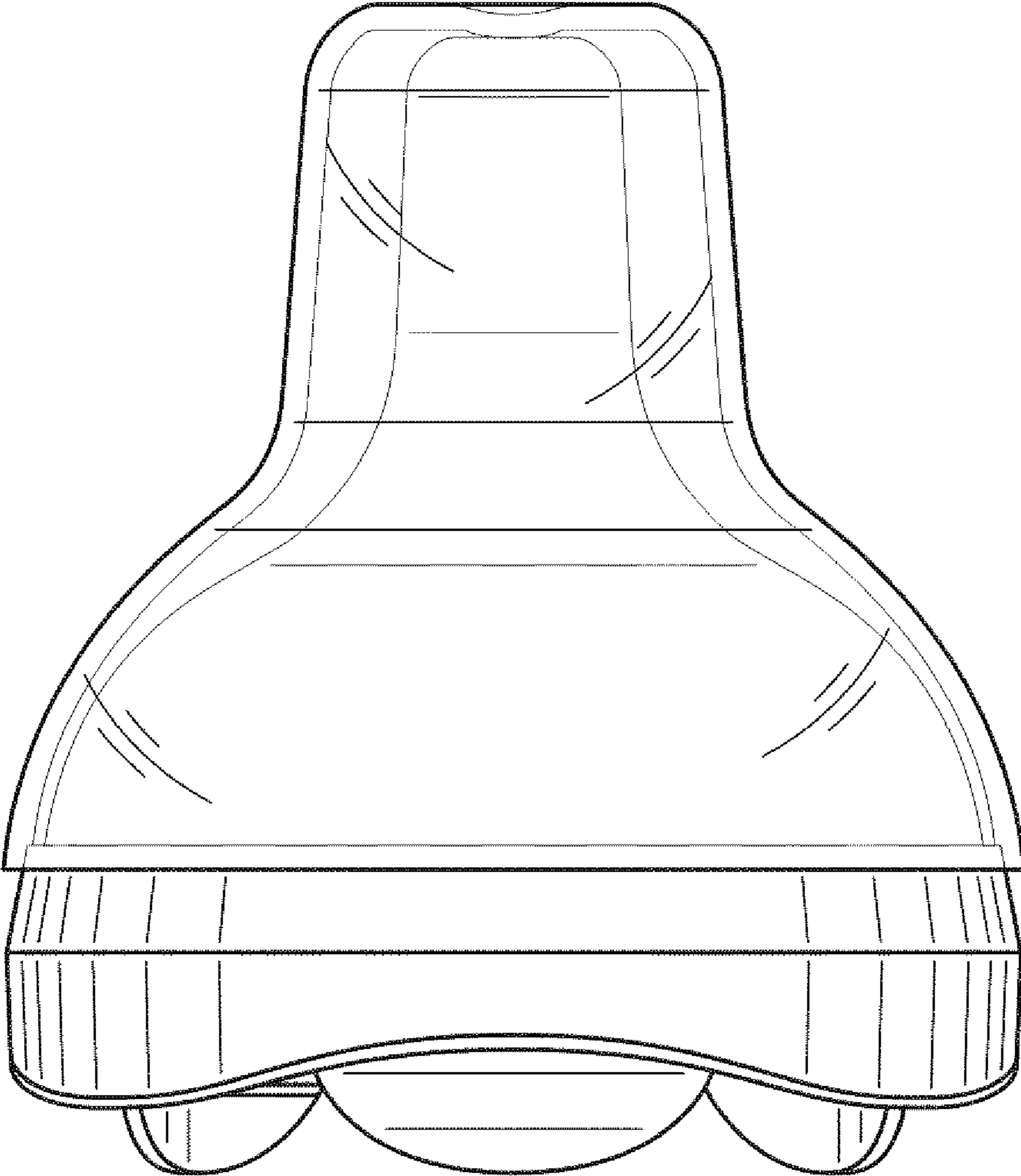


FIG. 4

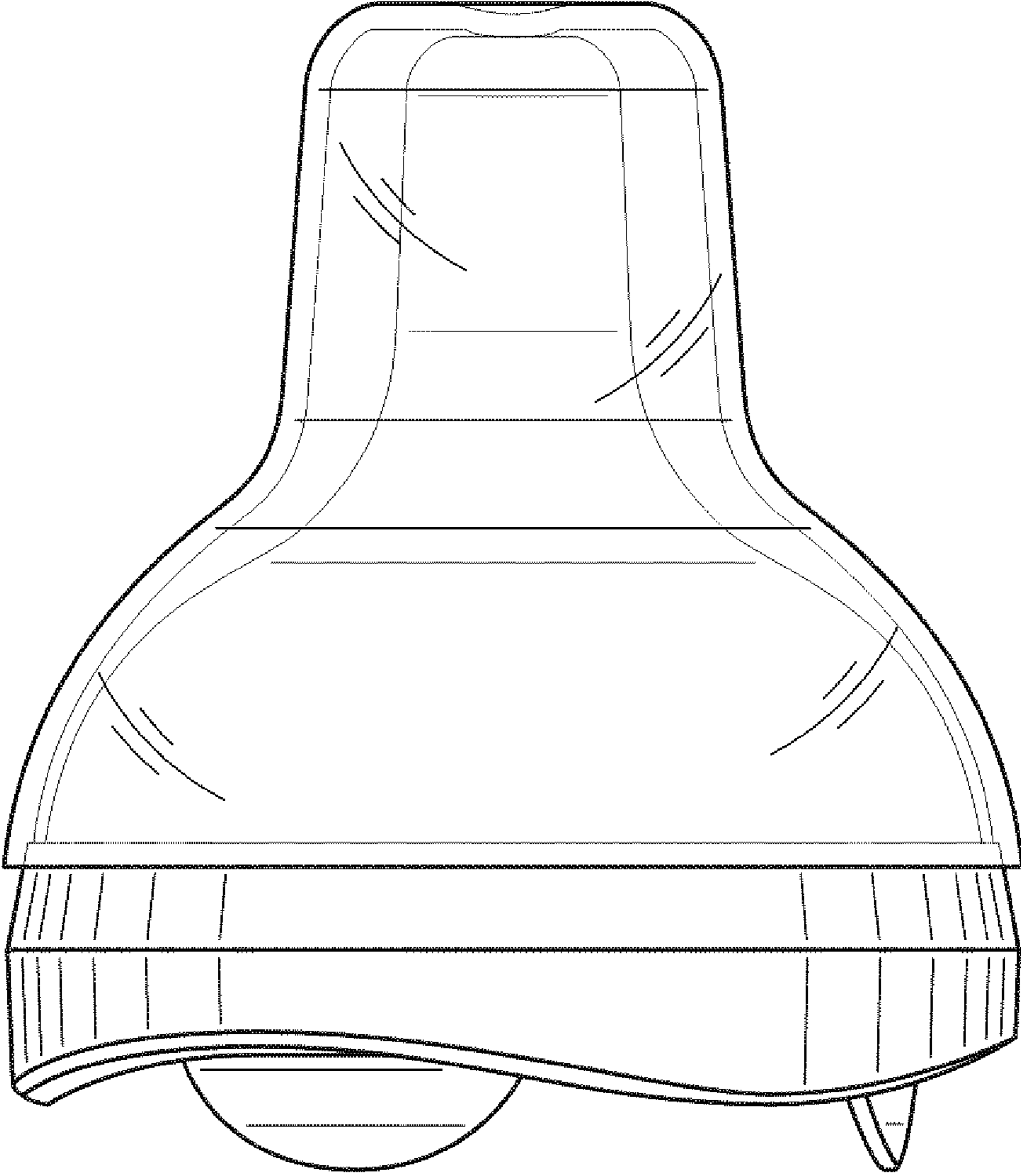


FIG. 5

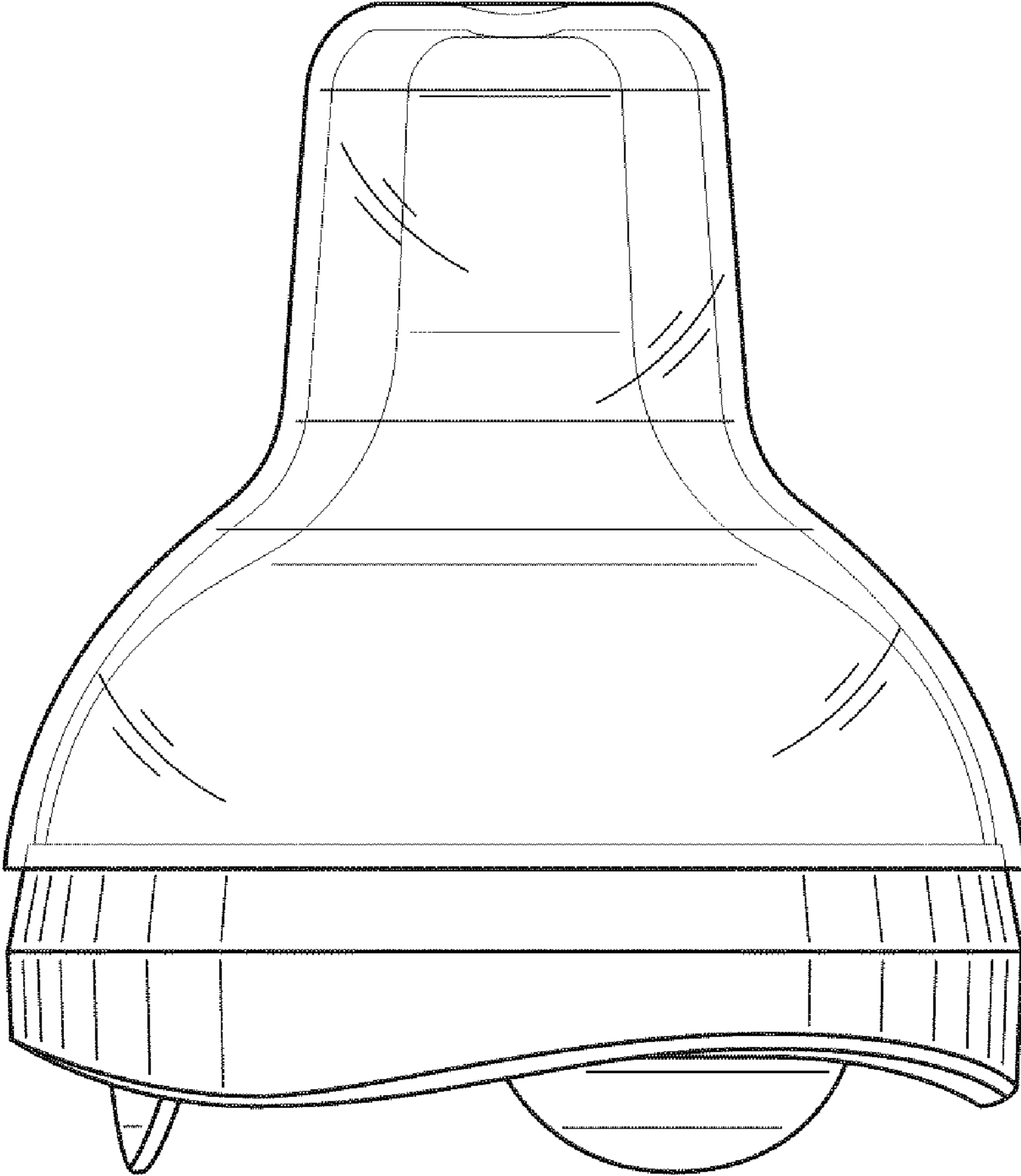


FIG. 6



FIG. 7

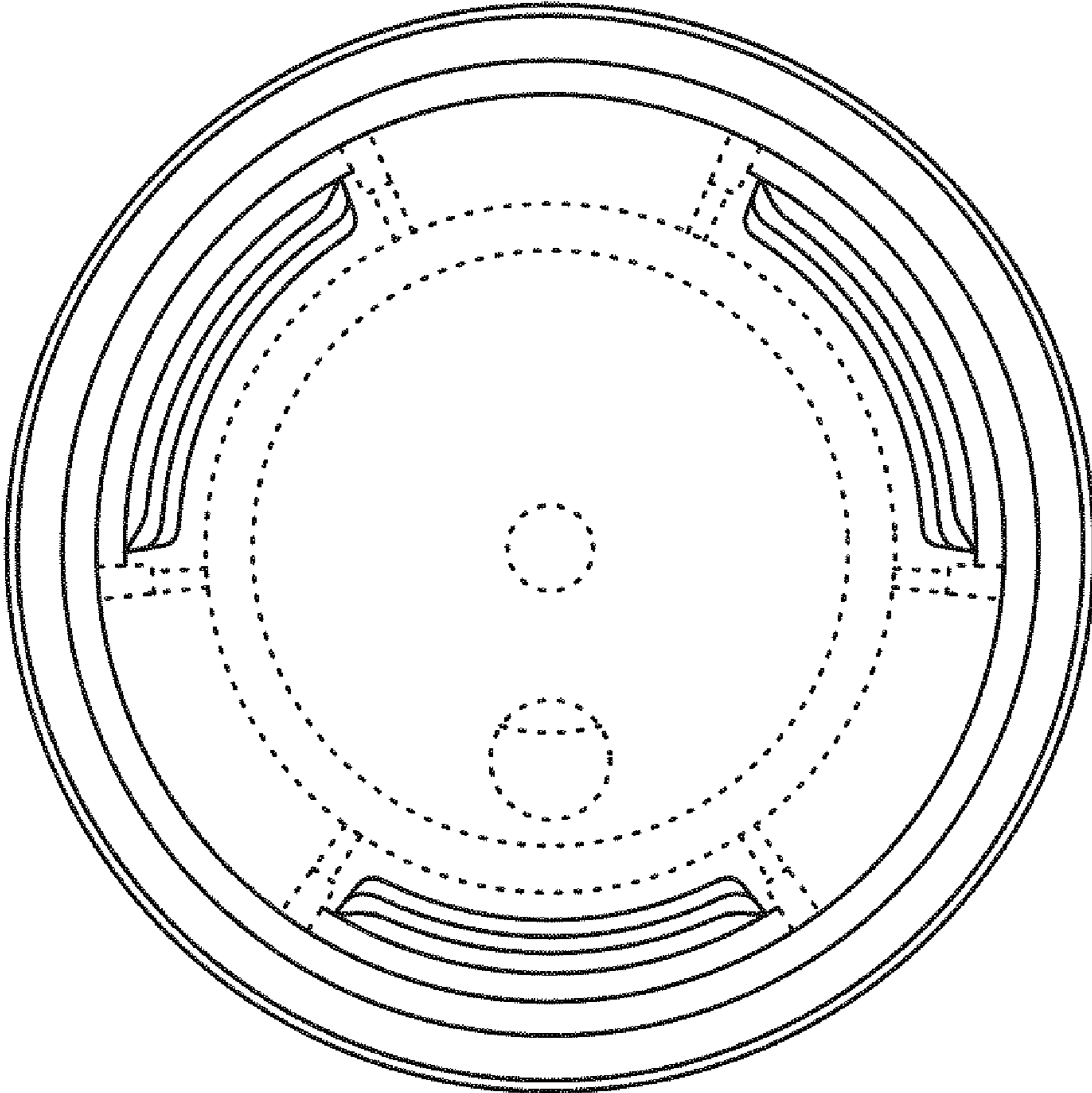


FIG. 8