



US00D639956S

(12) **United States Design Patent**  
**Bain et al.**

(10) **Patent No.:** **US D639,956 S**

(45) **Date of Patent:** **\*\* Jun. 14, 2011**

(54) **BLOOD ANALYSIS SYSTEM**

(75) Inventors: **David Francis McGregor Bain**, Ottawa (CA); **Dmitry Elman**, Ottawa (CA); **Mark Andrew Fritz**, Orleans (CA); **Imants R. Lauks**, Ottawa (CA); **Andrzej Maczuszenko**, Toronto (CA)

(73) Assignee: **Epocal Inc.**, Ottawa, Ontario (CA)

(\*\*) Term: **14 Years**

(21) Appl. No.: **29/341,416**

(22) Filed: **Aug. 5, 2009**

(30) **Foreign Application Priority Data**

May 26, 2009 (CA) ..... 130757

(51) **LOC (9) Cl.** ..... **24-01**

(52) **U.S. Cl.** ..... **D24/169**

(58) **Field of Classification Search** ..... D24/169,  
D24/186, 216, 223; D10/81; 600/309, 316,  
600/322, 365, 368

See application file for complete search history.

(56) **References Cited**

**U.S. PATENT DOCUMENTS**

D375,555 S \* 11/1996 Savage et al. .... D24/169  
D392,740 S \* 3/1998 Yung et al. .... D24/169  
D444,235 S \* 6/2001 Roberts et al. .... D24/169  
D455,834 S \* 4/2002 Donars et al. .... D24/169  
D471,983 S \* 3/2003 Hippolyte et al. .... D24/169  
D496,732 S \* 9/2004 Nagai et al. .... D24/169  
D534,445 S \* 1/2007 Kaushal et al. .... D10/81

D560,529 S \* 1/2008 Kaushal et al. .... D10/81  
D564,379 S \* 3/2008 Kaushal et al. .... D10/81  
D597,216 S \* 7/2009 McGuigan et al. .... D24/216

\* cited by examiner

*Primary Examiner* — T. Chase Nelson

*Assistant Examiner* — Anhdao Doan

(74) *Attorney, Agent, or Firm* — Curtis B. Behmann; Borden Ladner Gervais LLP

(57) **CLAIM**

The ornamental design for a blood analysis system, as shown and described.

**DESCRIPTION**

FIG. 1 is a front right perspective view of the blood analysis system showing the new design;

FIG. 2 is a top view thereof;

FIG. 3 is a bottom view thereof;

FIG. 4 is a left side view thereof;

FIG. 5 is a right side view thereof;

FIG. 6 is a top view thereof;

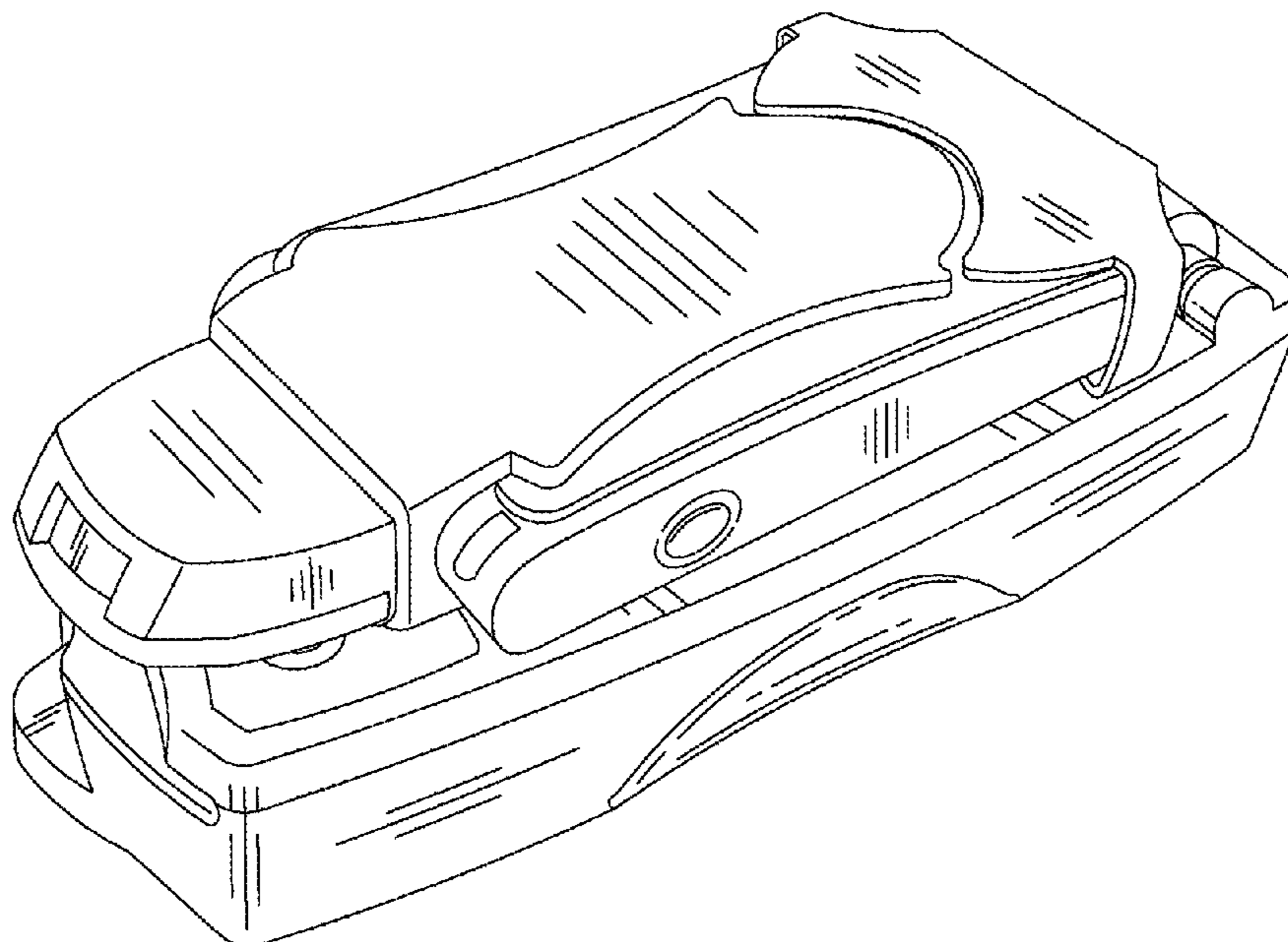
FIG. 7 is a bottom view thereof;

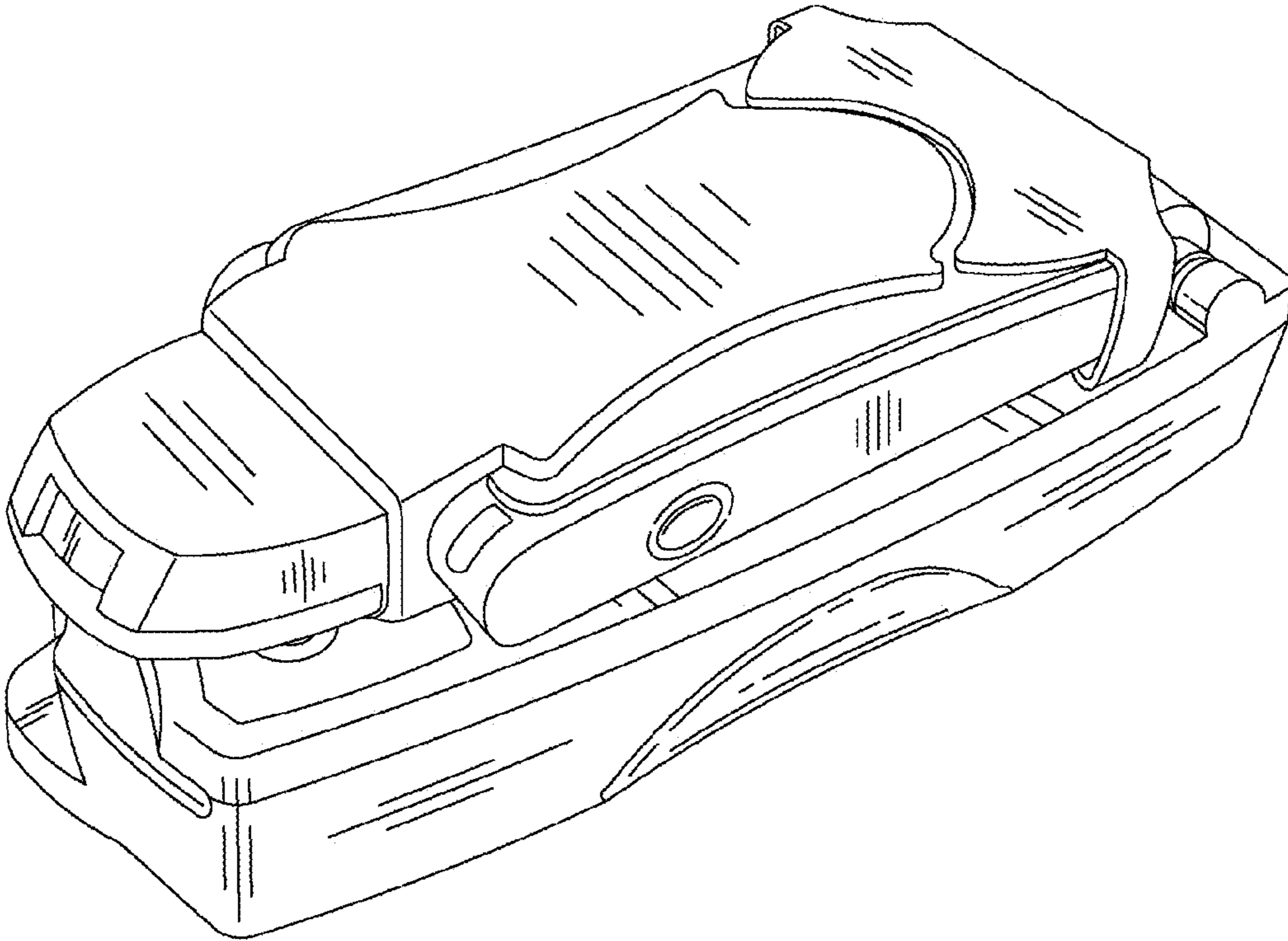
FIG. 8 is a front right perspective view of the design in an open position; and,

FIG. 9 is an exploded top view thereof showing the upper and lower clam-shell portions of the design separated. The broken lines connecting the centers of the separated upper and lower clam-shell components are included to show the order of assembly.

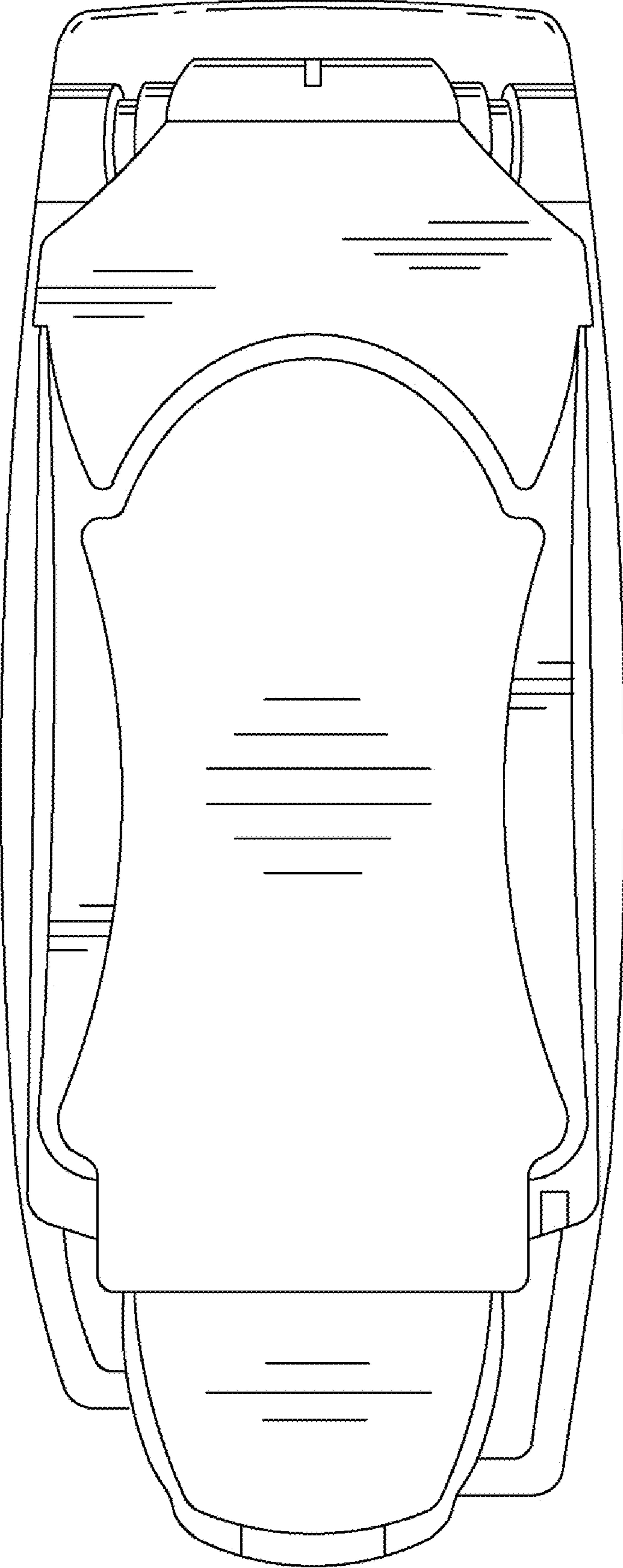
The broken lines in the drawing views are included for the purpose of illustrating portions of the blood analysis system that form no part of the claimed design.

**1 Claim, 7 Drawing Sheets**

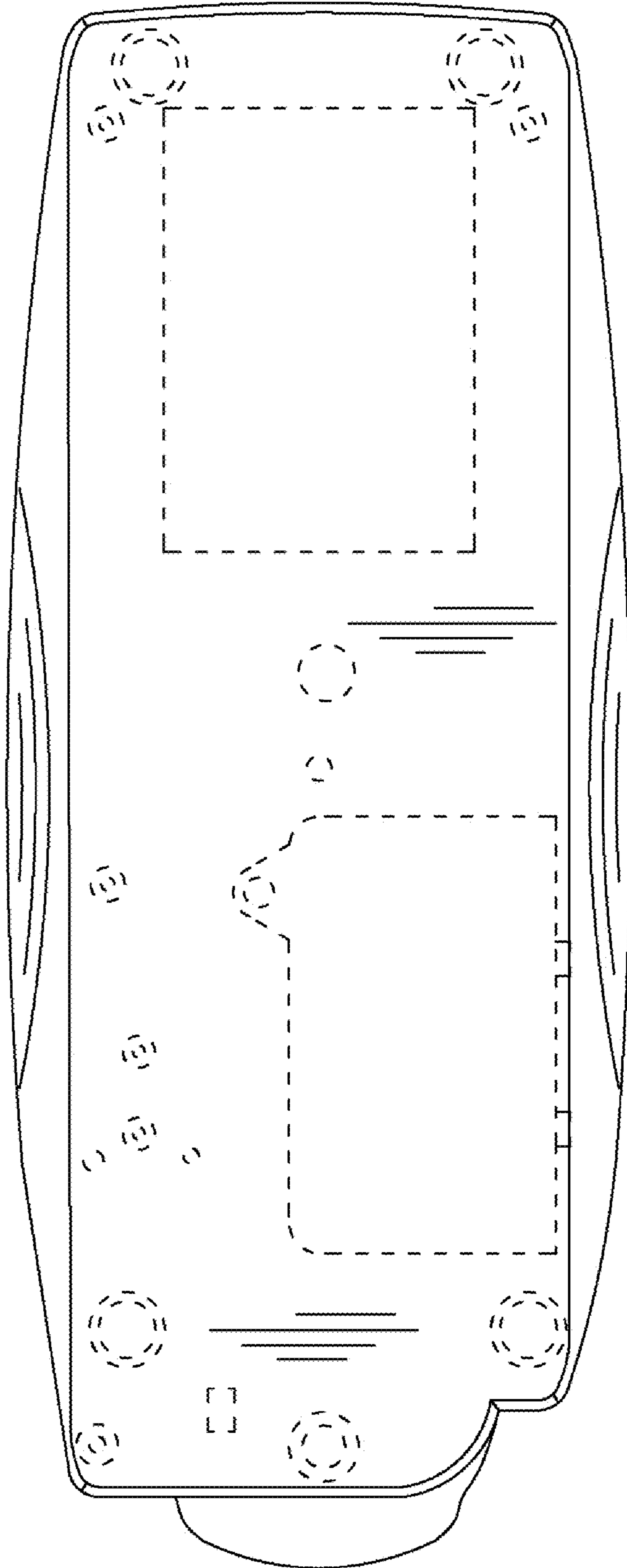




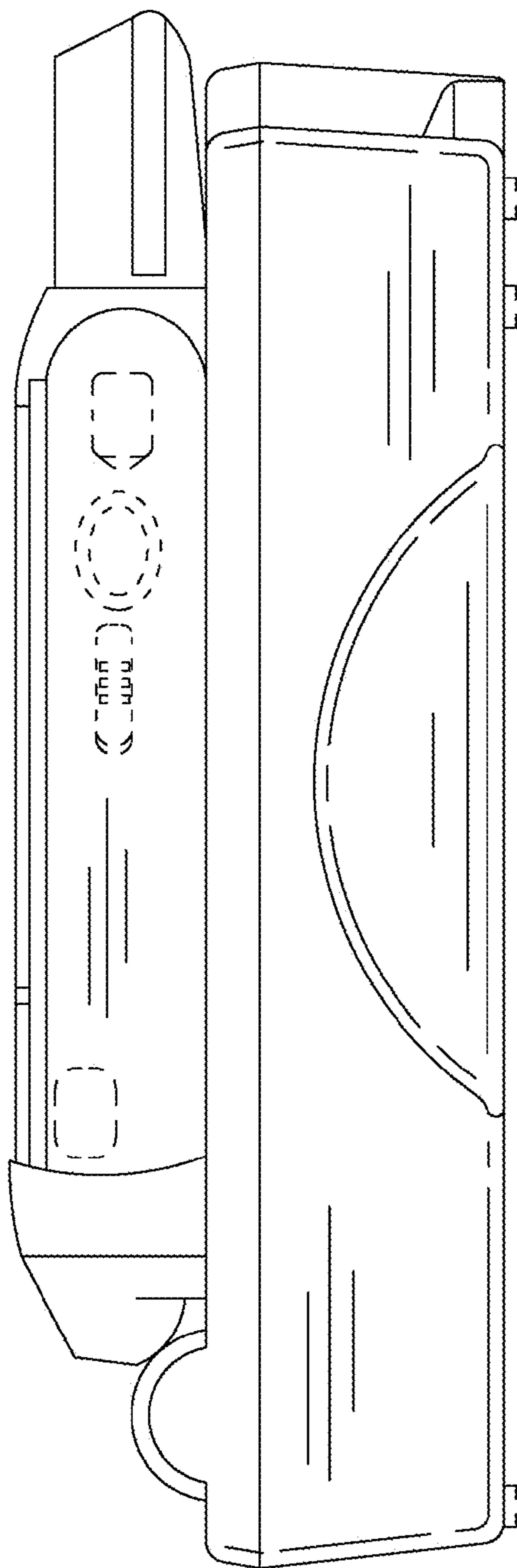
**FIG. 1**



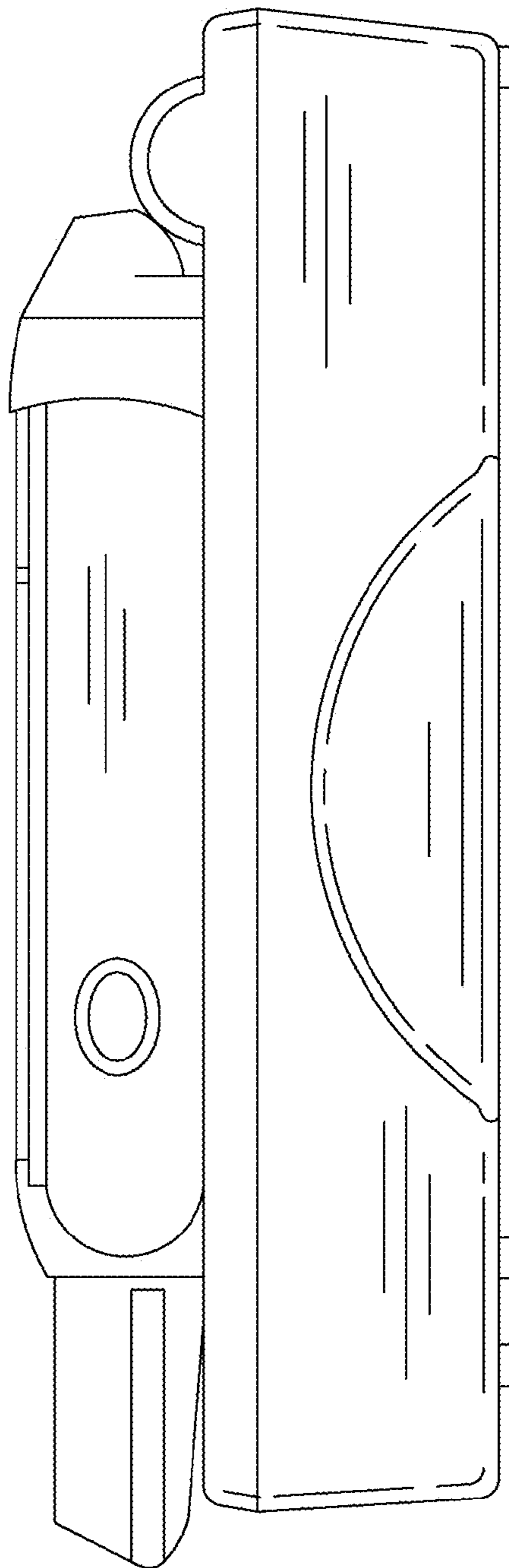
**FIG. 2**



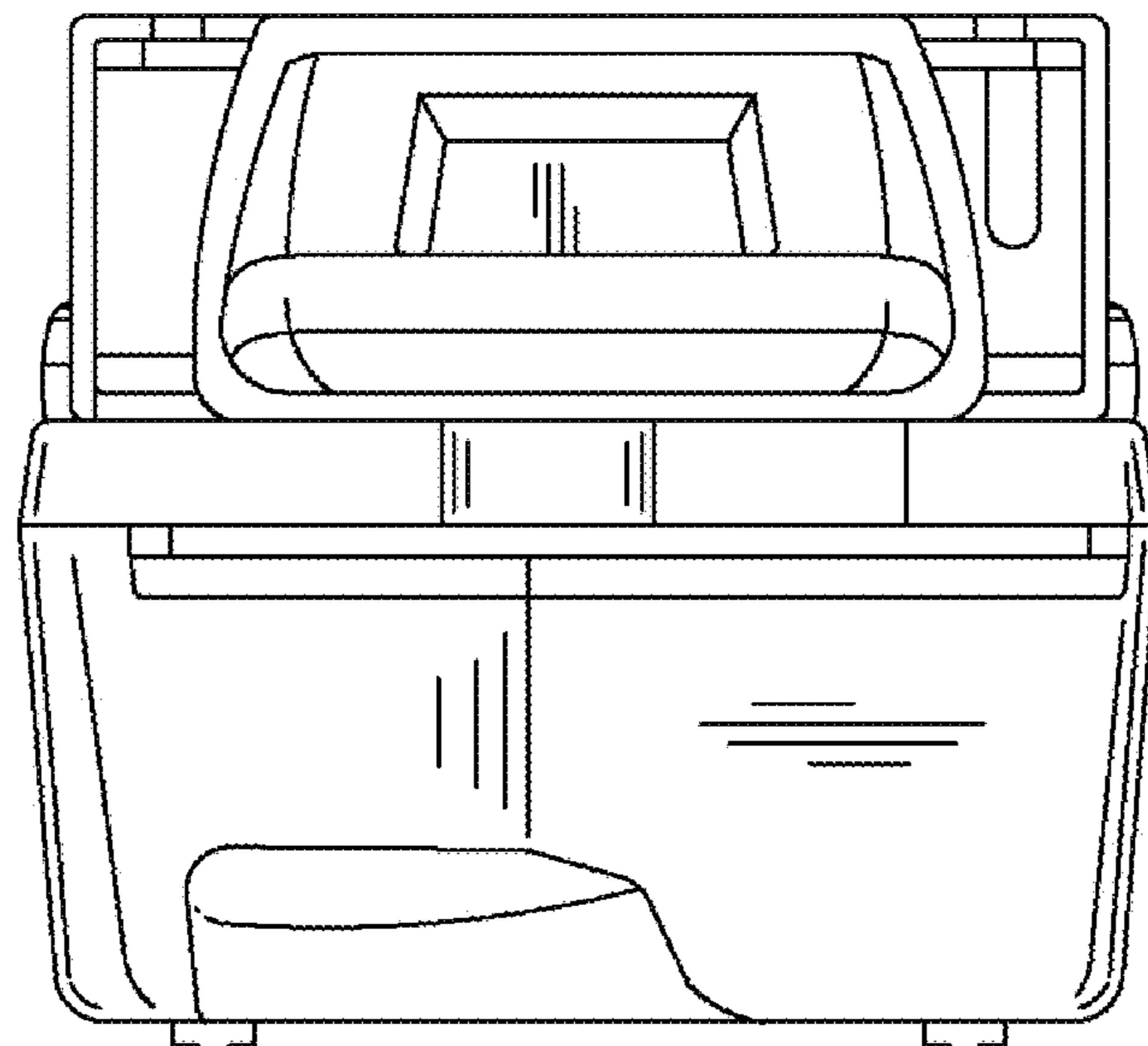
**FIG. 3**



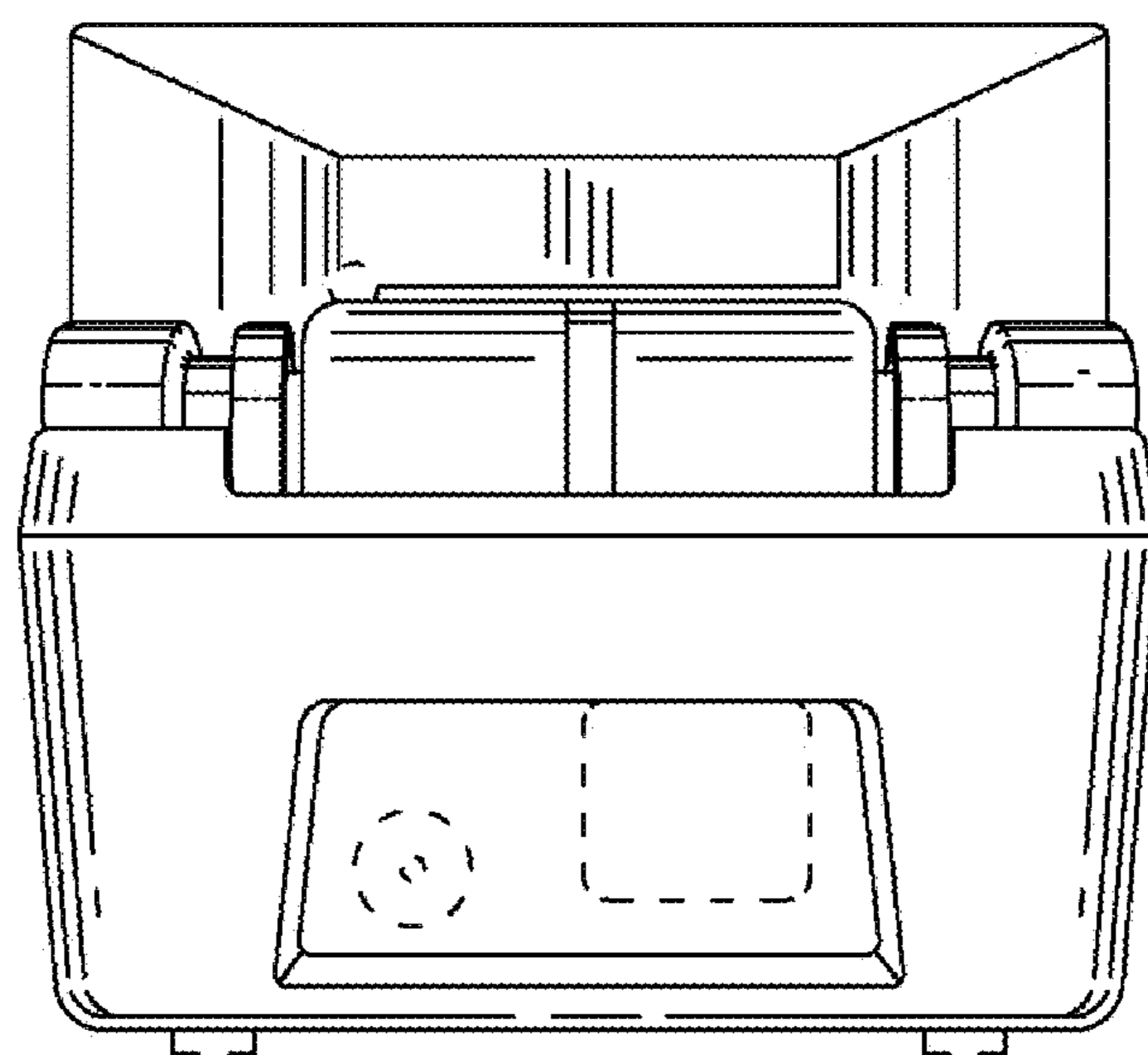
**FIG. 4**



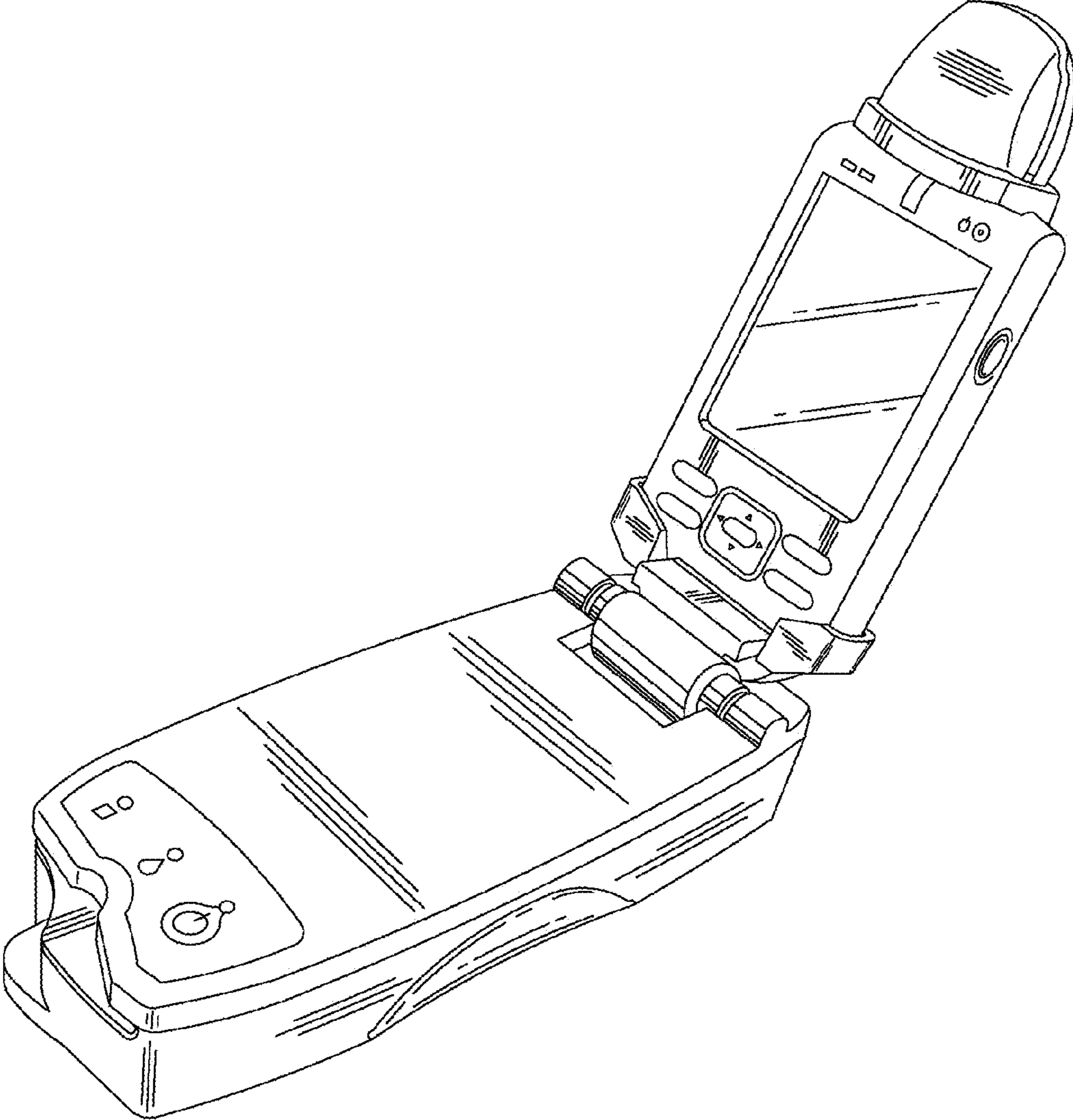
**FIG. 5**



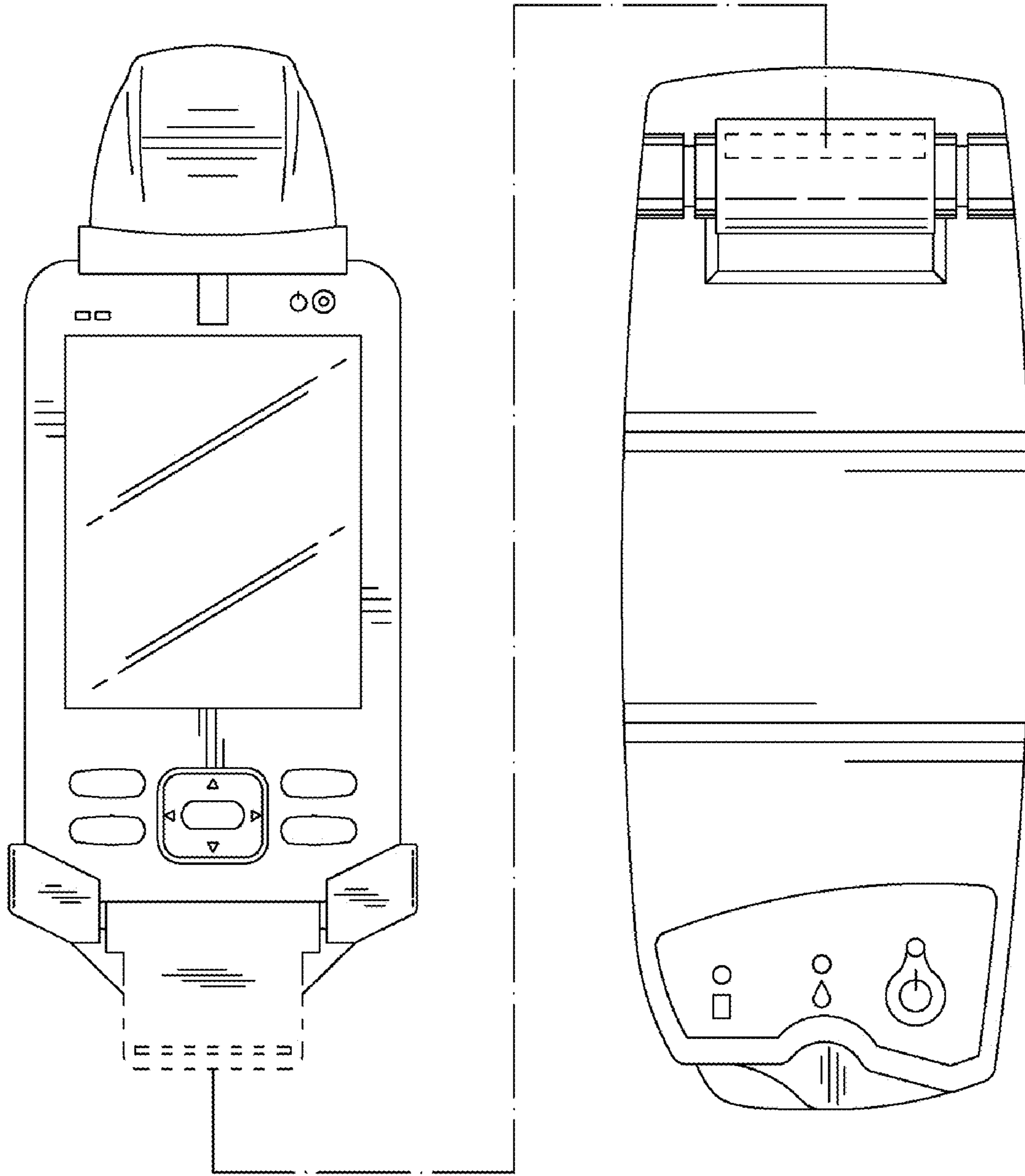
**FIG. 6**



**FIG. 7**



**FIG. 8**



**FIG. 9**