



US00D639955S

(12) **United States Design Patent**  
**Riobo Aboy et al.**

(10) **Patent No.:** **US D639,955 S**  
(45) **Date of Patent:** **\*\* Jun. 14, 2011**

(54) **WEARABLE MOVEMENT MONITOR**

(76) Inventors: **Pedro Mateo Riobo Aboy**, Beaverton, OR (US); **Andrew Greenberg**, Portland, OR (US); **James McNames**, Portland, OR (US); **Stephen Dylan Berry**, Beaverton, OR (US)

(\*\*) Term: **14 Years**

(21) Appl. No.: **29/358,003**

(22) Filed: **Mar. 21, 2010**

(51) **LOC (9) Cl.** ..... **24-02**

(52) **U.S. Cl.** ..... **D24/165**

(58) **Field of Classification Search** ..... D24/164-169,  
D24/107, 186, 187; D10/46, 78, 98, 32,  
D10/38, 104; 600/301, 481-483, 485, 490,  
600/493-495, 500, 503, 509, 323, 383, 384,  
600/595; 128/900

See application file for complete search history.

(56) **References Cited**

U.S. PATENT DOCUMENTS

4,117,834	A	10/1978	McPartland	
4,306,291	A	12/1981	Zilm	
4,353,375	A	10/1982	Colburn	
4,406,290	A *	9/1983	Walbeoffe-Wilson et al. ....	600/502
4,809,700	A *	3/1989	Castelli .....	600/384
D341,659	S *	11/1993	Homayoun et al. ....	D24/167
D342,571	S *	12/1993	Givens, Sr. ....	D24/186
5,293,879	A	3/1994	Vonk	
D356,151	S *	3/1995	Ishii et al. ....	D24/165
D361,042	S *	8/1995	Nanayakkara .....	D10/31
5,485,848	A *	1/1996	Jackson et al. ....	600/485

5,562,104	A	10/1996	Hochberg	
7,060,963	B2 *	6/2006	Maegawa et al. ....	600/323
7,089,148	B1	8/2006	Bachmann	
7,141,026	B2	11/2006	Aminian	
7,210,240	B2	5/2007	Townsend	

(Continued)

*Primary Examiner* — T. Chase Nelson

*Assistant Examiner* — Anhdao Doan

(74) *Attorney, Agent, or Firm* — Aboy & Associates, PC; Dr. Mateo Aboy

(57) **CLAIM**

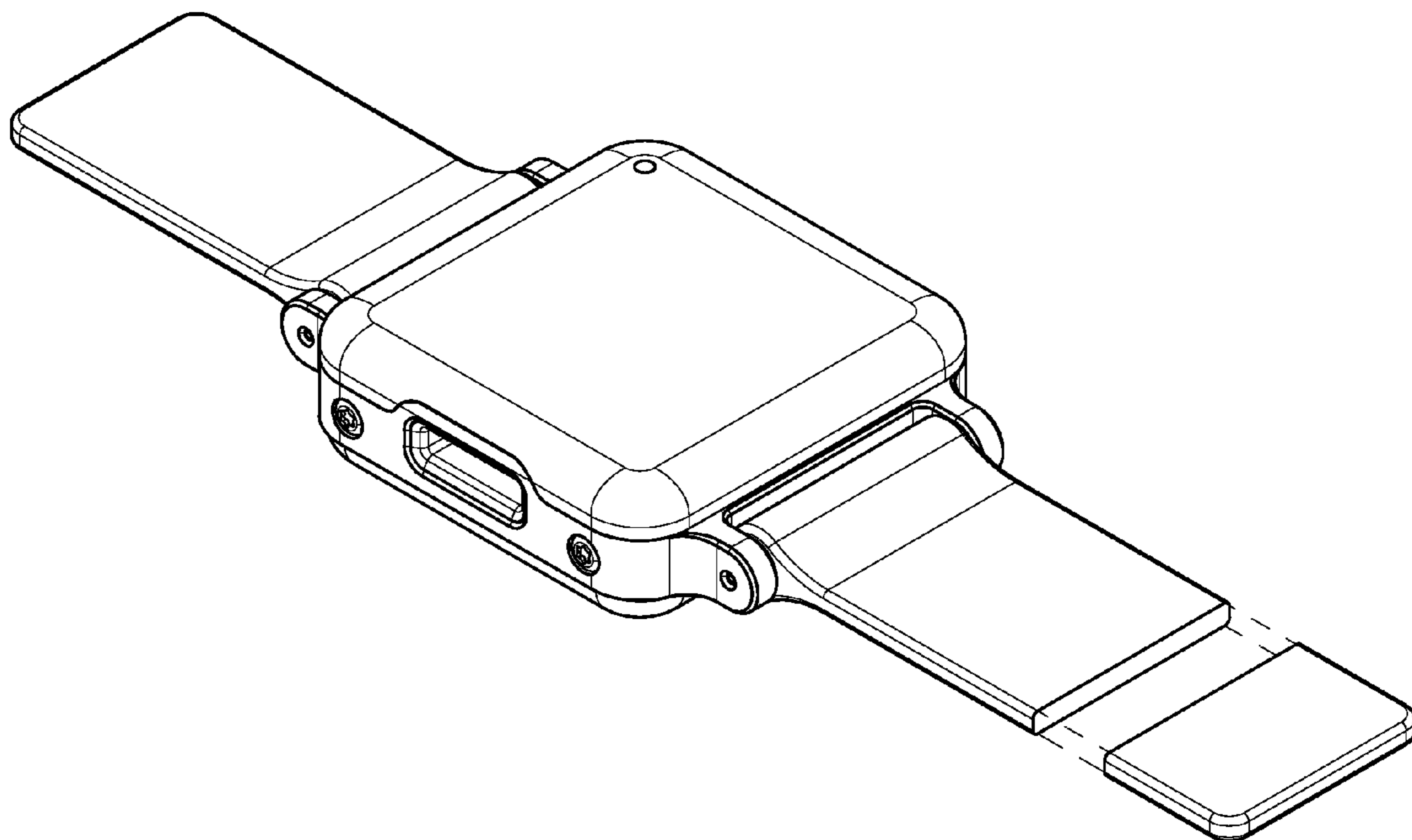
We claim the ornamental design for a wearable movement monitor, as shown and described.

**DESCRIPTION**

FIG. 1 is a top, front perspective view of a wearable movement monitor showing the new design; FIG. 2 is a top, rear perspective view thereof; FIG. 3 is a perspective view thereof; FIG. 4 is a front side view thereof; FIG. 5 is a rear side view thereof; FIG. 6 is a right side view thereof; FIG. 7 is a left side view thereof; FIG. 8 is a top view thereof; and, FIG. 9 is a bottom view thereof.

The broken lines shown at the wrist band in FIGS. 1-5, 8 and 9 are included to indicate that a specific length of the wrist band of the monitor forms no part of the claimed design. The broken line showing of the docking station in FIG. 3 represents environmental subject matter. None of the broken lines form a part of the claimed design.

**1 Claim, 6 Drawing Sheets**



# US D639,955 S

Page 2

---

## U.S. PATENT DOCUMENTS

D571,249	S	*	6/2008	Frederick et al. ....	D10/104	2007/0032748	A1	2/2007	McNeil
7,395,181	B2		7/2008	Foxlin		2007/0249968	A1	10/2007	Miesel
7,558,622	B2	*	7/2009	Tran .....	600/509	2007/0255118	A1	11/2007	Miesel
D606,656	S	*	12/2009	Kobayashi et al. ....	D24/167	2008/0053253	A1	3/2008	Moore
D614,979	S		5/2010	McNames		2008/0284650	A1	11/2008	MacIntosh
D619,256	S	*	7/2010	Brady et al. ....	D24/167	2008/0285805	A1	11/2008	Luinge
D625,729	S		10/2010	McNames		2009/0281830	A1	11/2009	McNames
2004/0015103	A1		1/2004	Aminian		2010/0030119	A1	2/2010	McNames
2004/0260187	A1	*	12/2004	Sano et al. ....	600/499	2010/0076348	A1	3/2010	McNames
2005/0010139	A1		1/2005	Aminian		2010/0145236	A1	6/2010	Greenberg
2005/0234309	A1		10/2005	Klapper					

\* cited by examiner

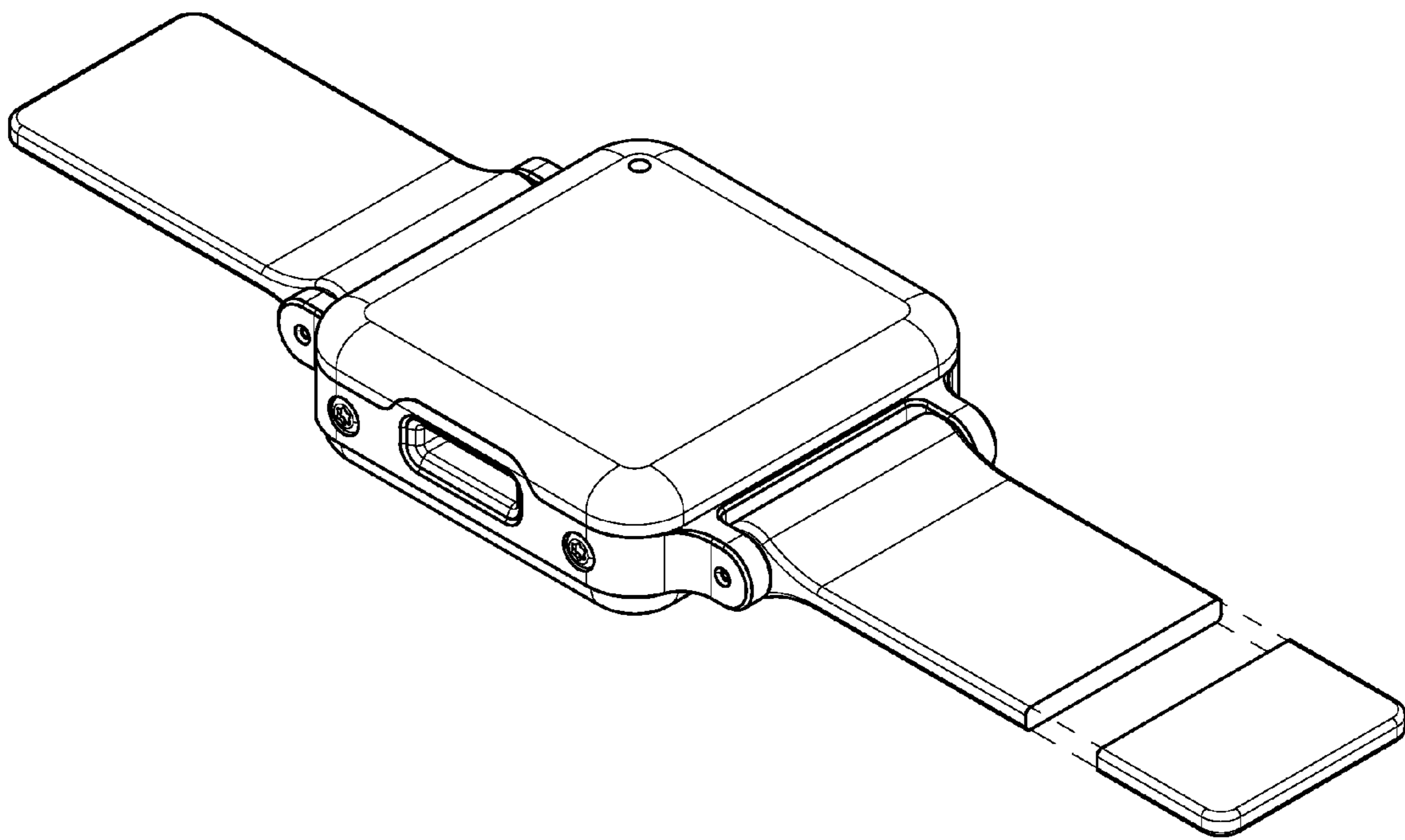


FIG.1

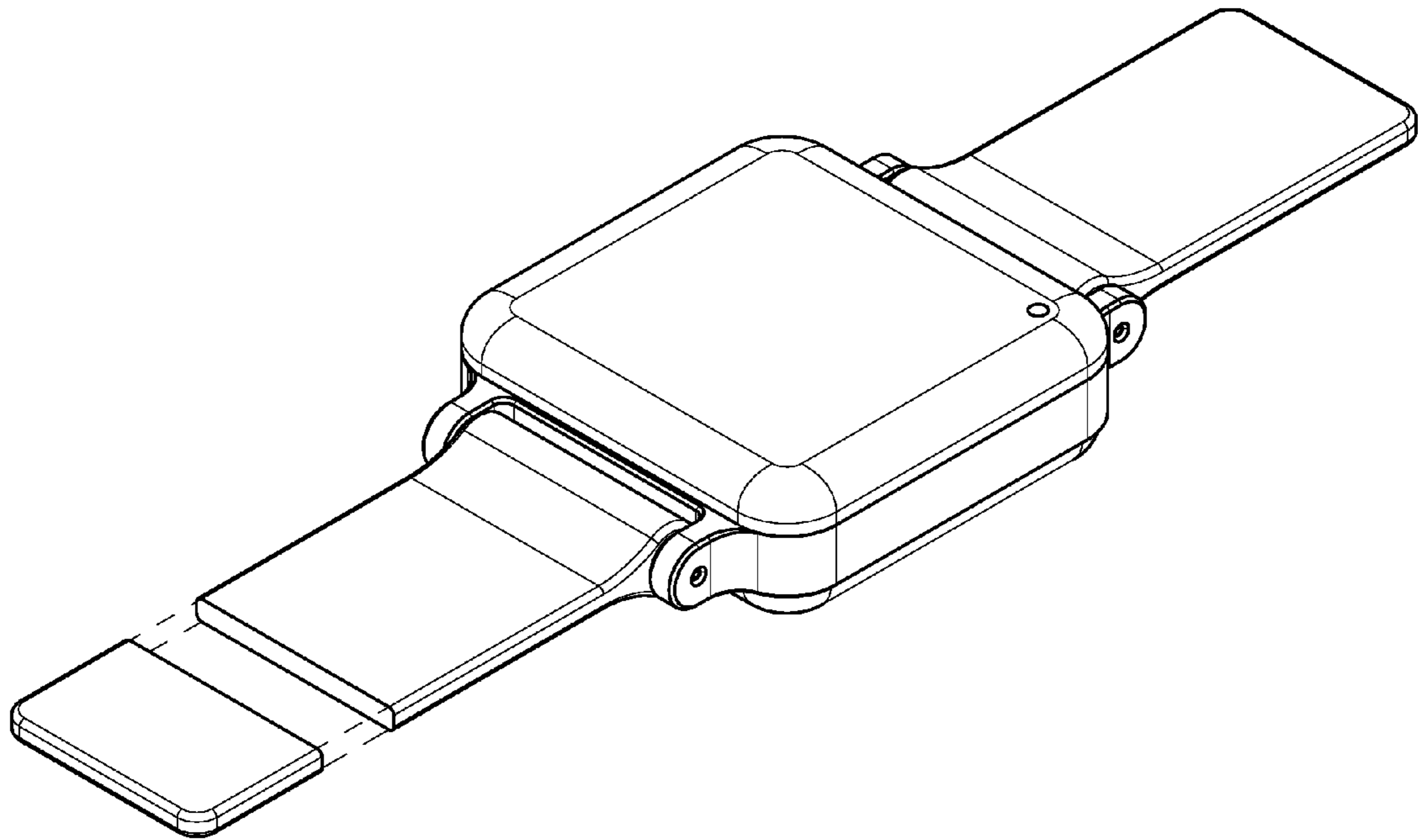


FIG.2

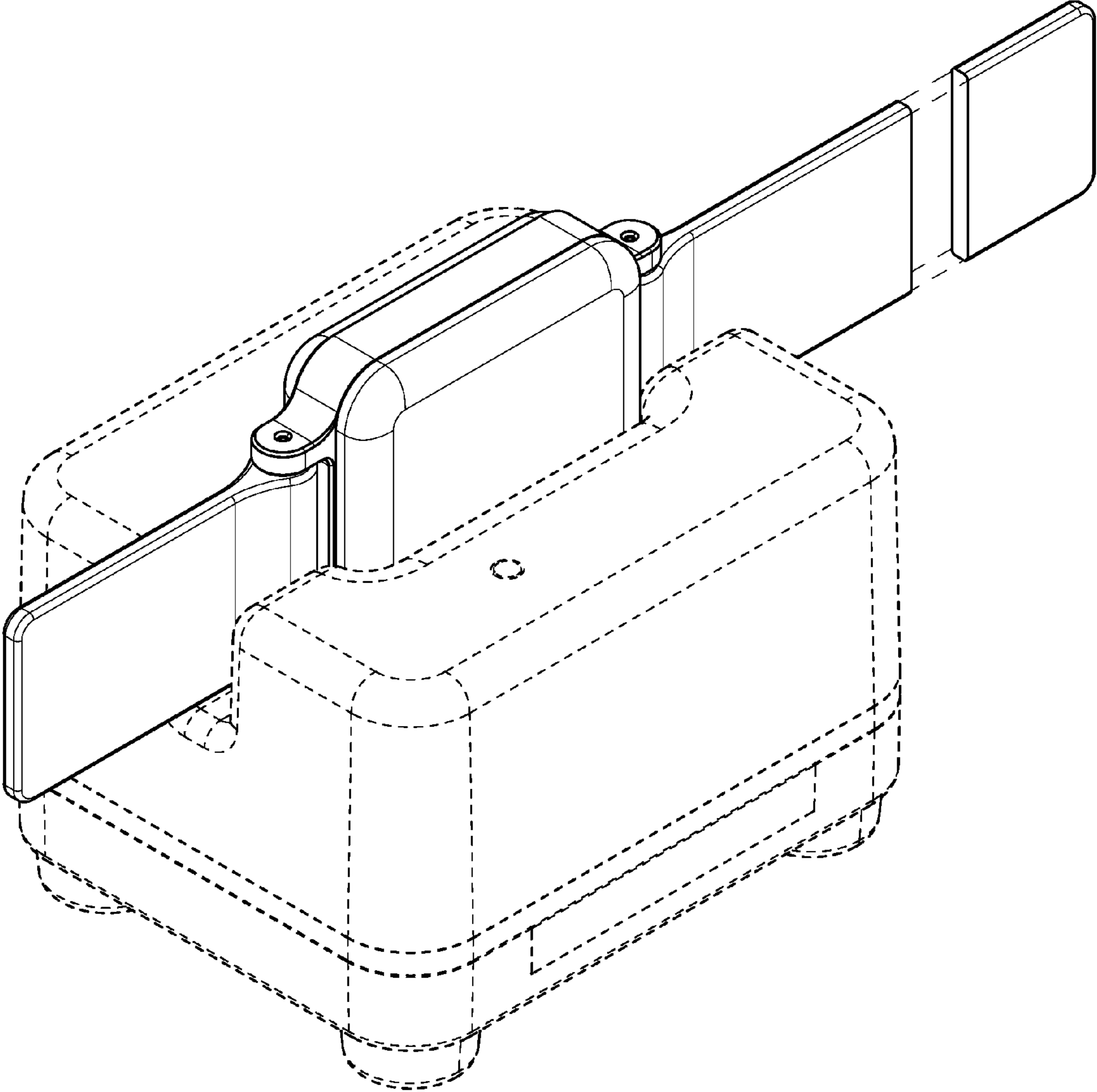


FIG.3

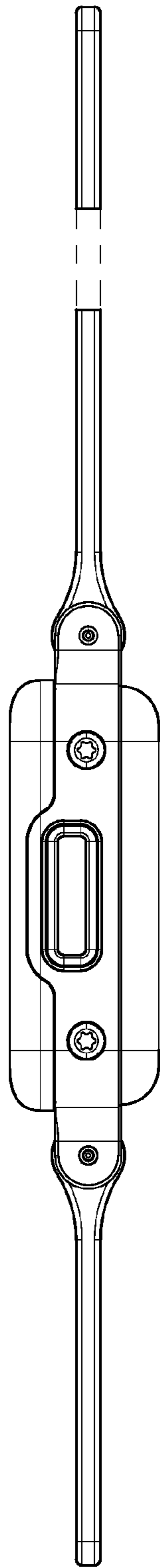


FIG. 4

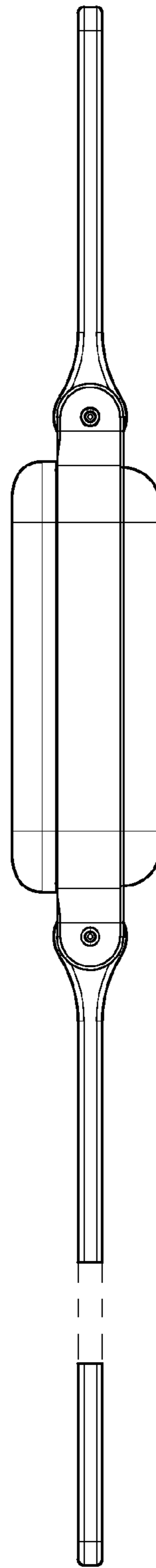


FIG. 5

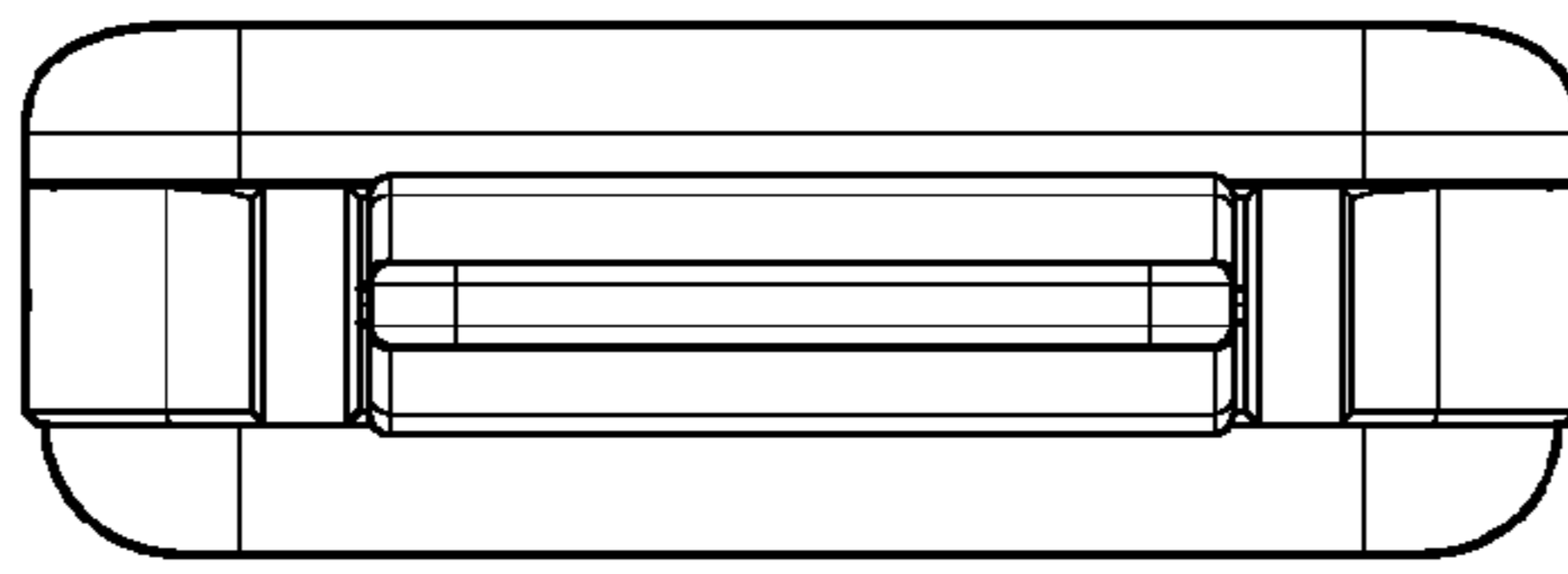


FIG. 6

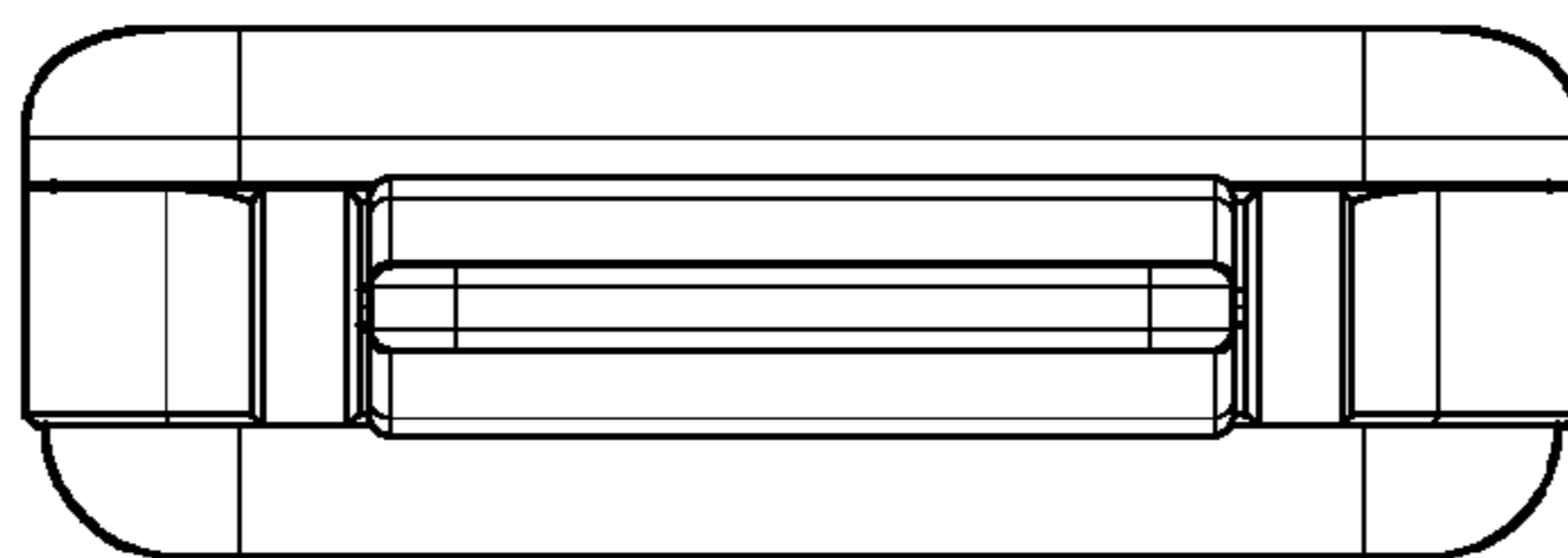


FIG. 7

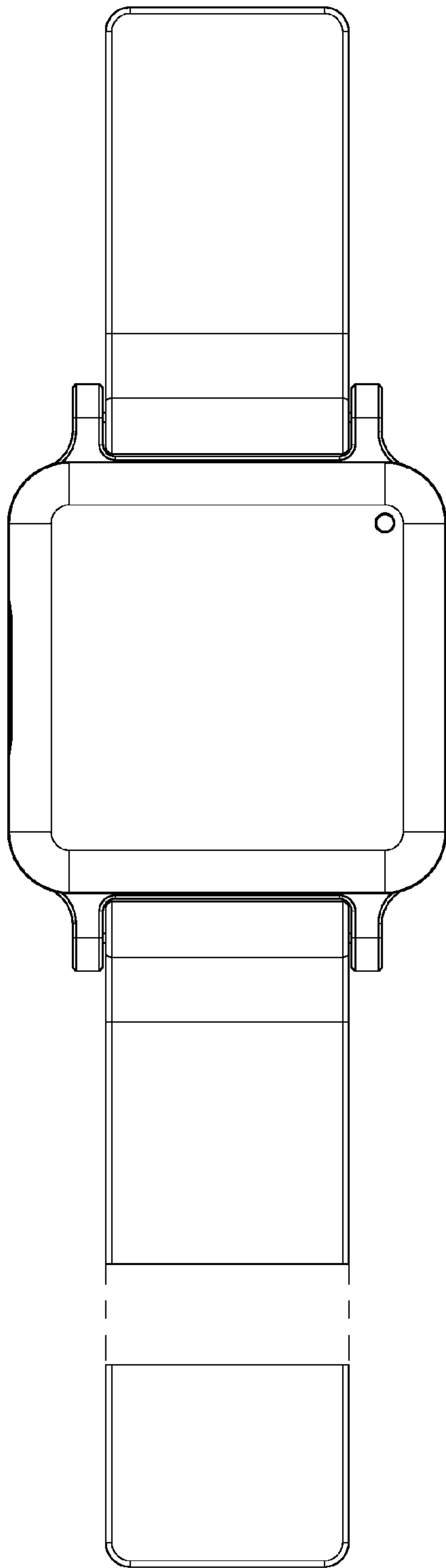


FIG.8

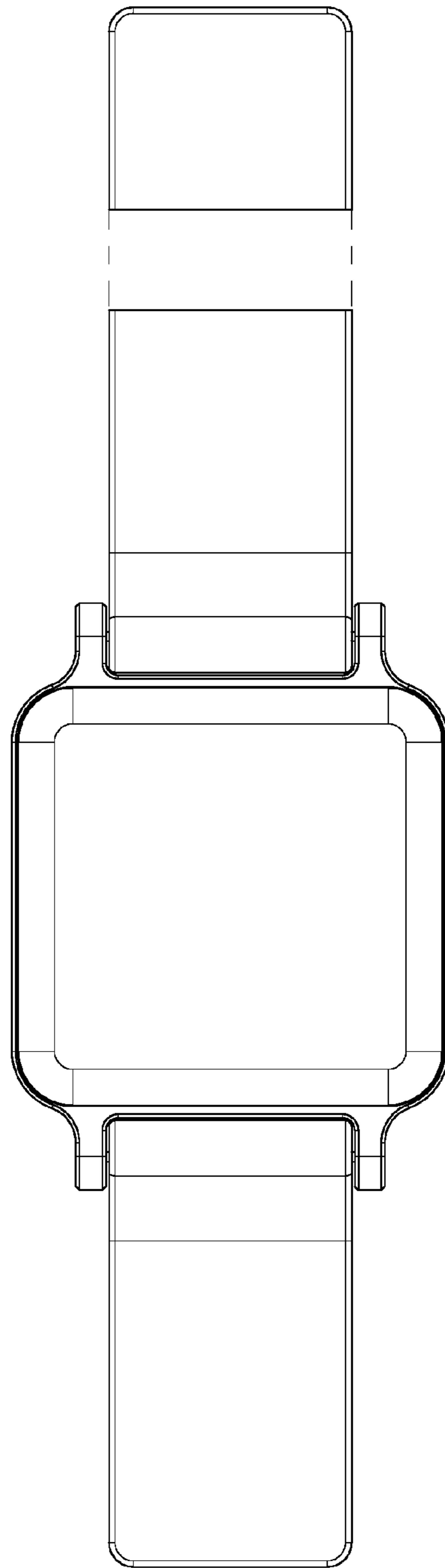


FIG.9