



US00D639953S

(12) **United States Design Patent**
Wodecki

(10) **Patent No.:** **US D639,953 S**
(45) **Date of Patent:** **** Jun. 14, 2011**

(54) **NEONATAL AND HEAD MEDICAL IMAGING SCANNER**

(75) Inventor: **Lionel Wodecki**, Maisons Alfort (FR)

(73) Assignee: **General Electric Company**,
Schenectady, NY (US)

(**) Term: **14 Years**

(21) Appl. No.: **29/359,647**

(22) Filed: **Apr. 14, 2010**

(51) **LOC (9) Cl.** **24-01**

(52) **U.S. Cl.** **D24/159**

(58) **Field of Classification Search** D24/158-161,
D24/186, 183-185; 378/4, 15, 17, 20, 21,
378/23 -27, 146

See application file for complete search history.

(56) **References Cited**

U.S. PATENT DOCUMENTS

D345,606 S *	3/1994	Perusek	D24/159
D347,063 S *	5/1994	Ariyoshi et al.	D24/159
D420,134 S *	2/2000	Kitayama	D24/159
6,289,073 B1 *	9/2001	Sasaki et al.	378/4
D527,105 S *	8/2006	Kitayama et al.	D24/158
7,295,648 B2 *	11/2007	Brown	378/65
D557,418 S *	12/2007	Onuma et al.	D24/158
D563,556 S *	3/2008	Baba	D24/158

* cited by examiner

Primary Examiner — T. Chase Nelson

Assistant Examiner — Anhdao Doan

(74) *Attorney, Agent, or Firm* — Ziolkowski Patent Solutions Group, SC

(57) **CLAIM**

The ornamental design for a neonatal and head medical imaging scanner, as shown and described.

DESCRIPTION

FIG. 1 is a perspective view of a neonatal and head medical imaging scanner having a design thereon in accordance with an embodiment of the present invention.

FIG. 2 is a side elevational view of the neonatal and head medical imaging scanner of FIG. 1.

FIG. 3 is a front elevational view of the neonatal and head medical imaging scanner of FIG. 1.

FIG. 4 is a top plan view of the neonatal and head medical imaging scanner of FIG. 1; and,

FIG. 5 is a rear elevational view of the neonatal and head medical imaging scanner of FIG. 1.

The broken lines in the drawing views are included for the purpose of illustrating portions of the neonatal and head medical imaging scanner that form no part of the claimed design.

1 Claim, 5 Drawing Sheets

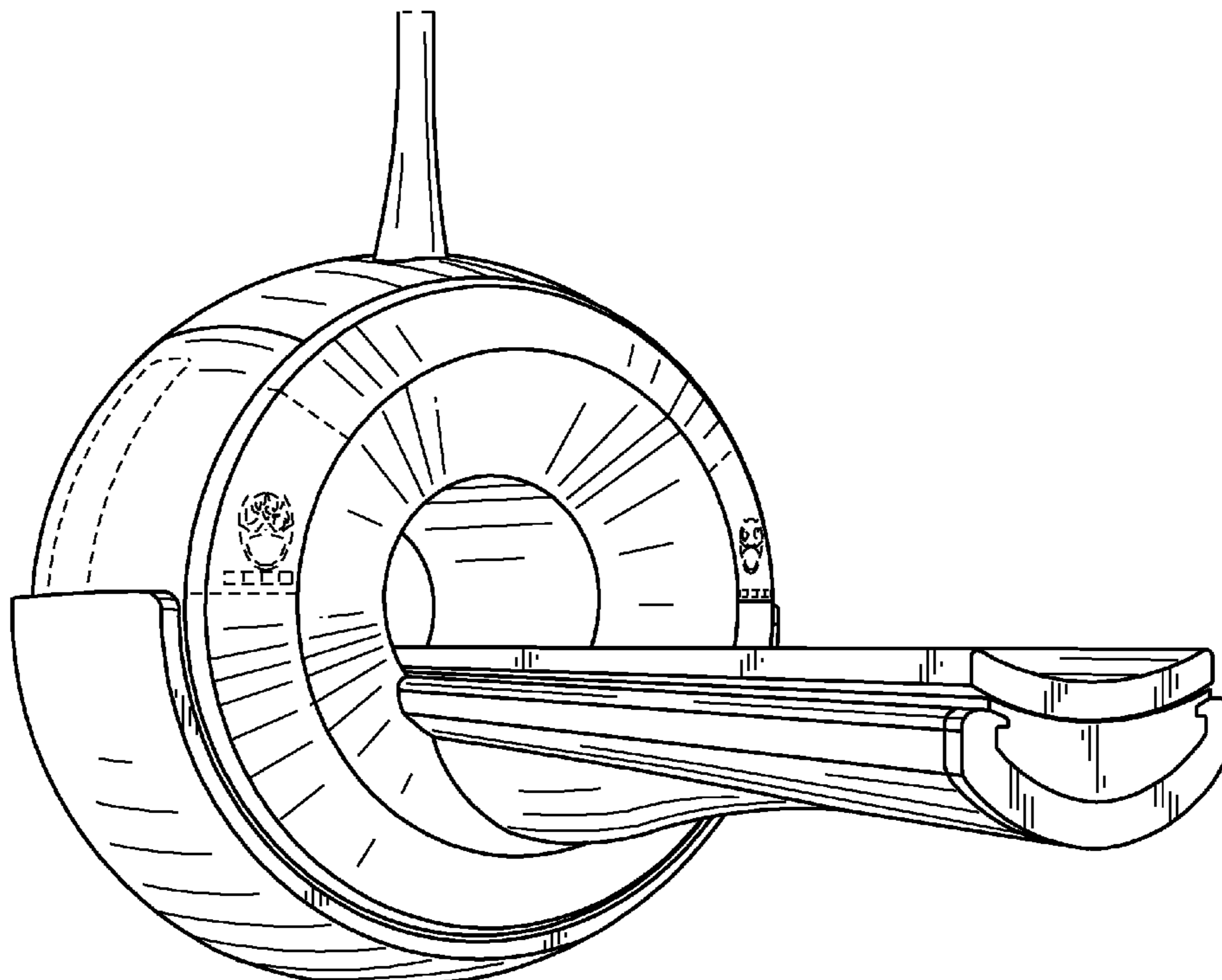
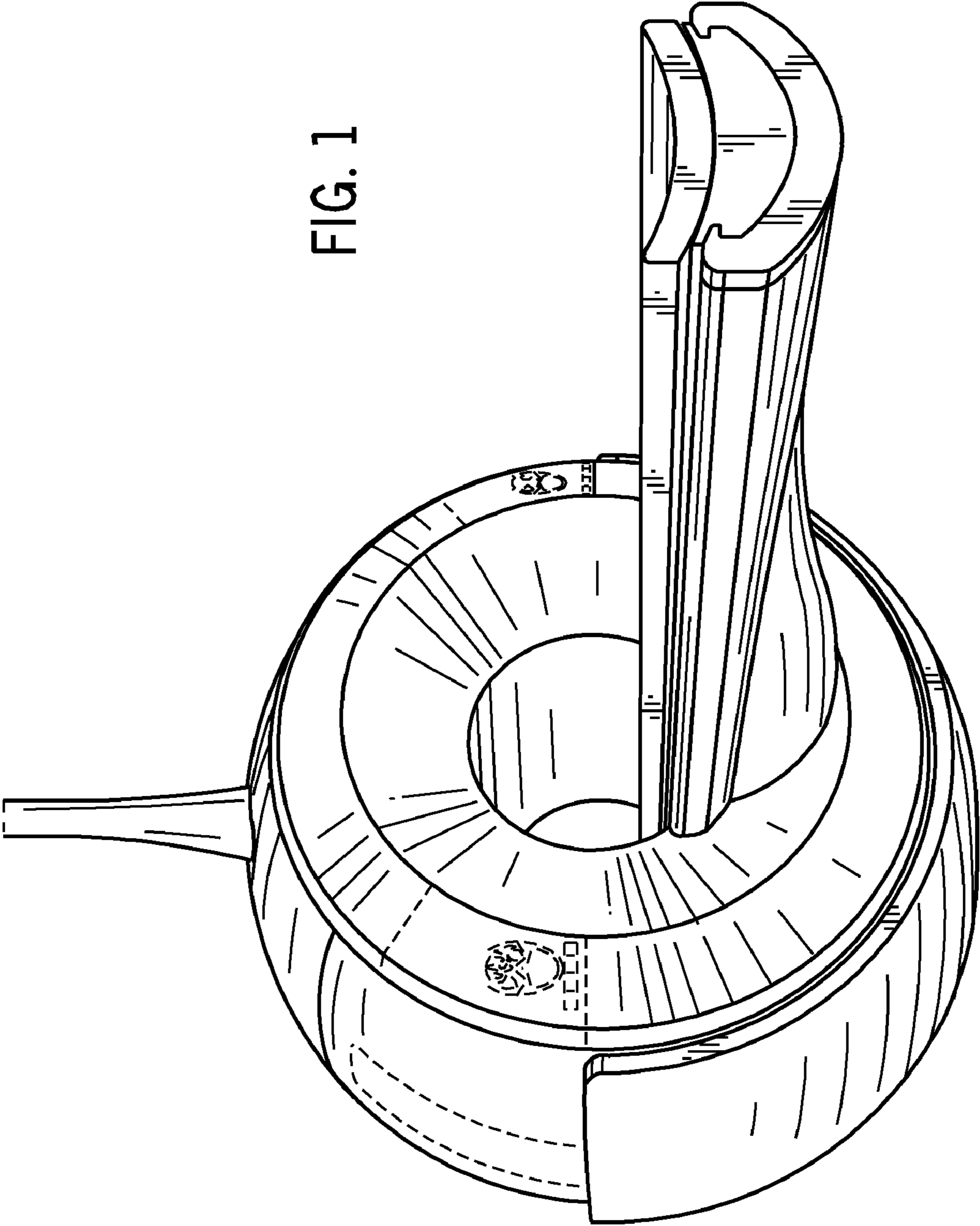


FIG. 1



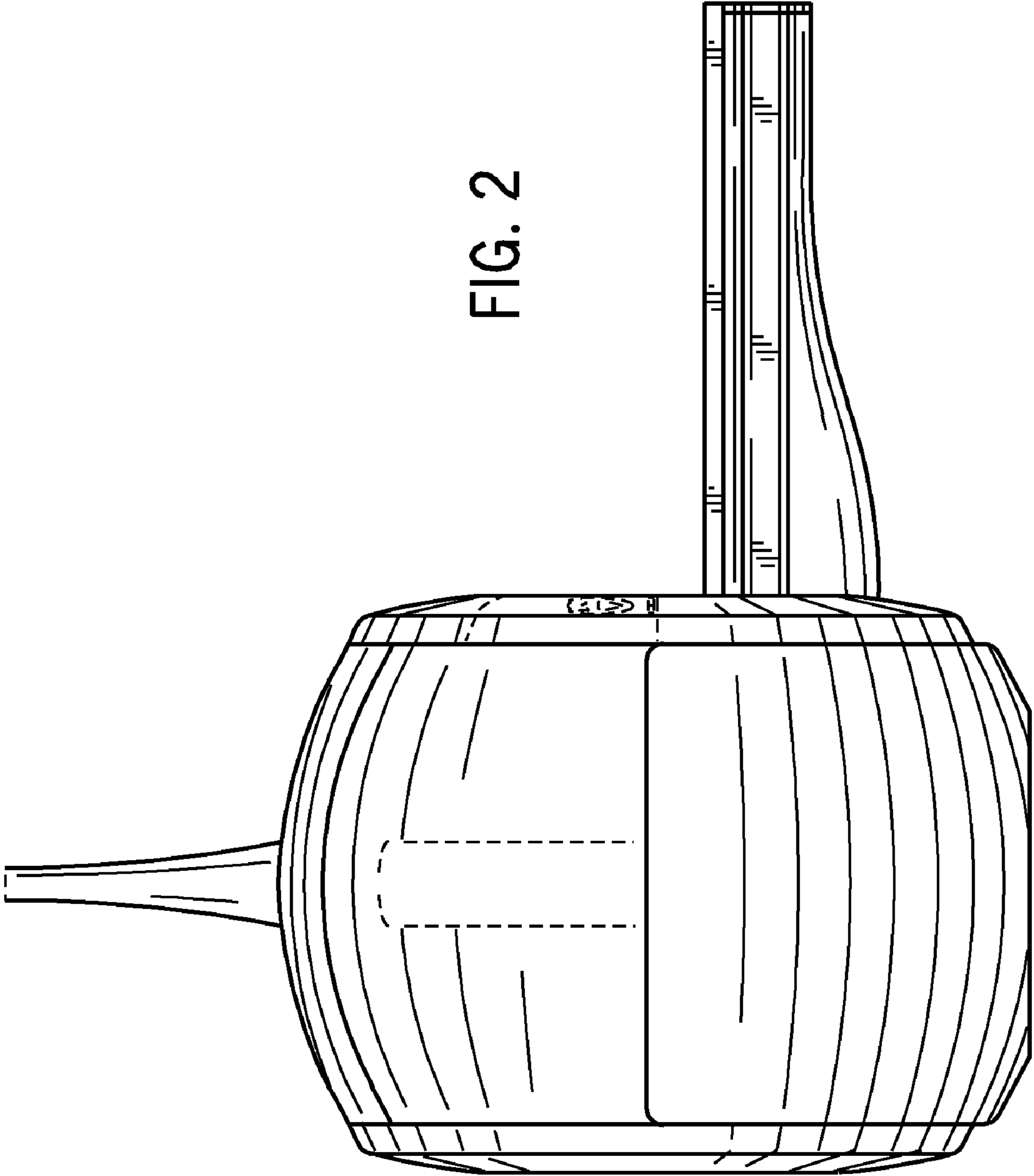


FIG. 2

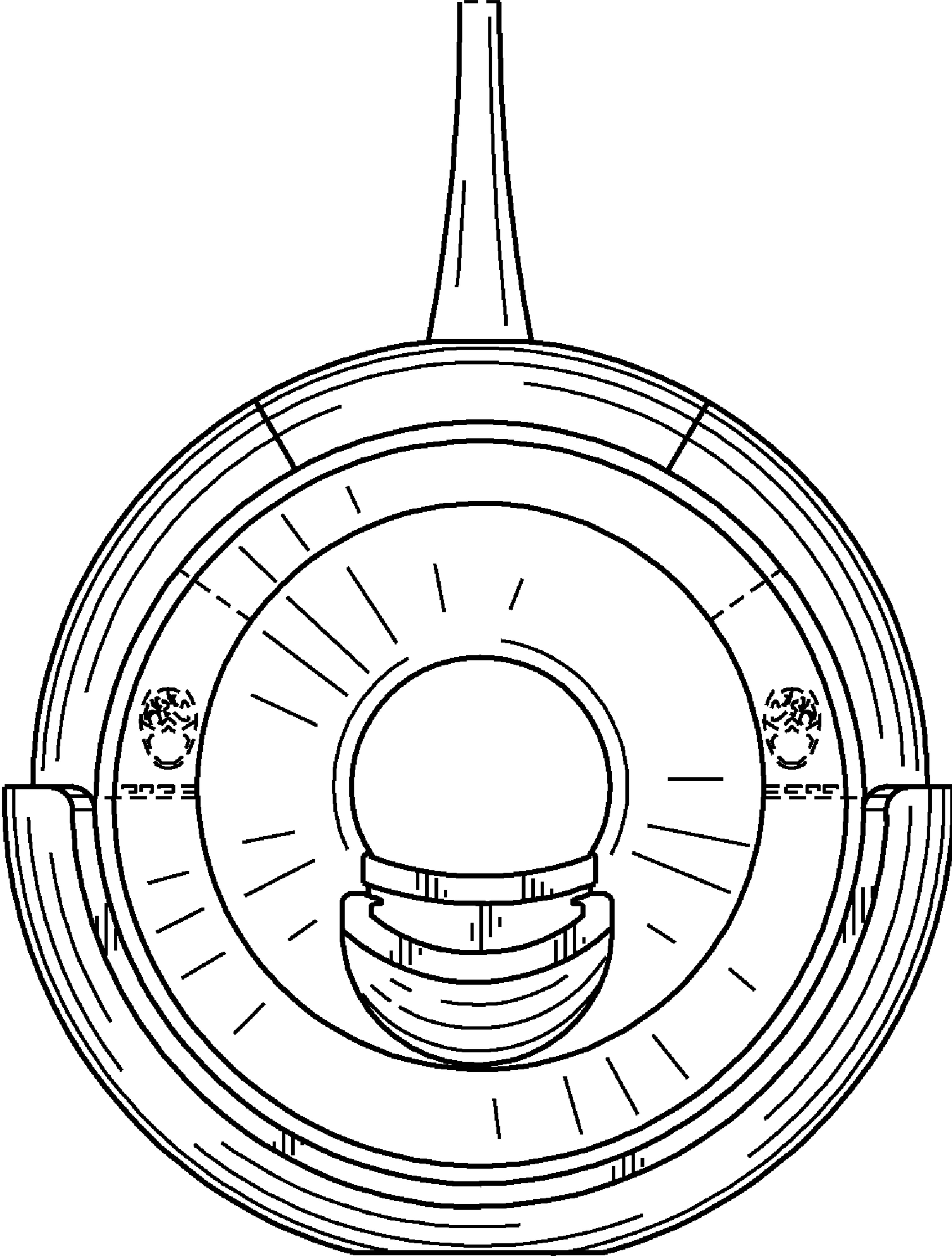
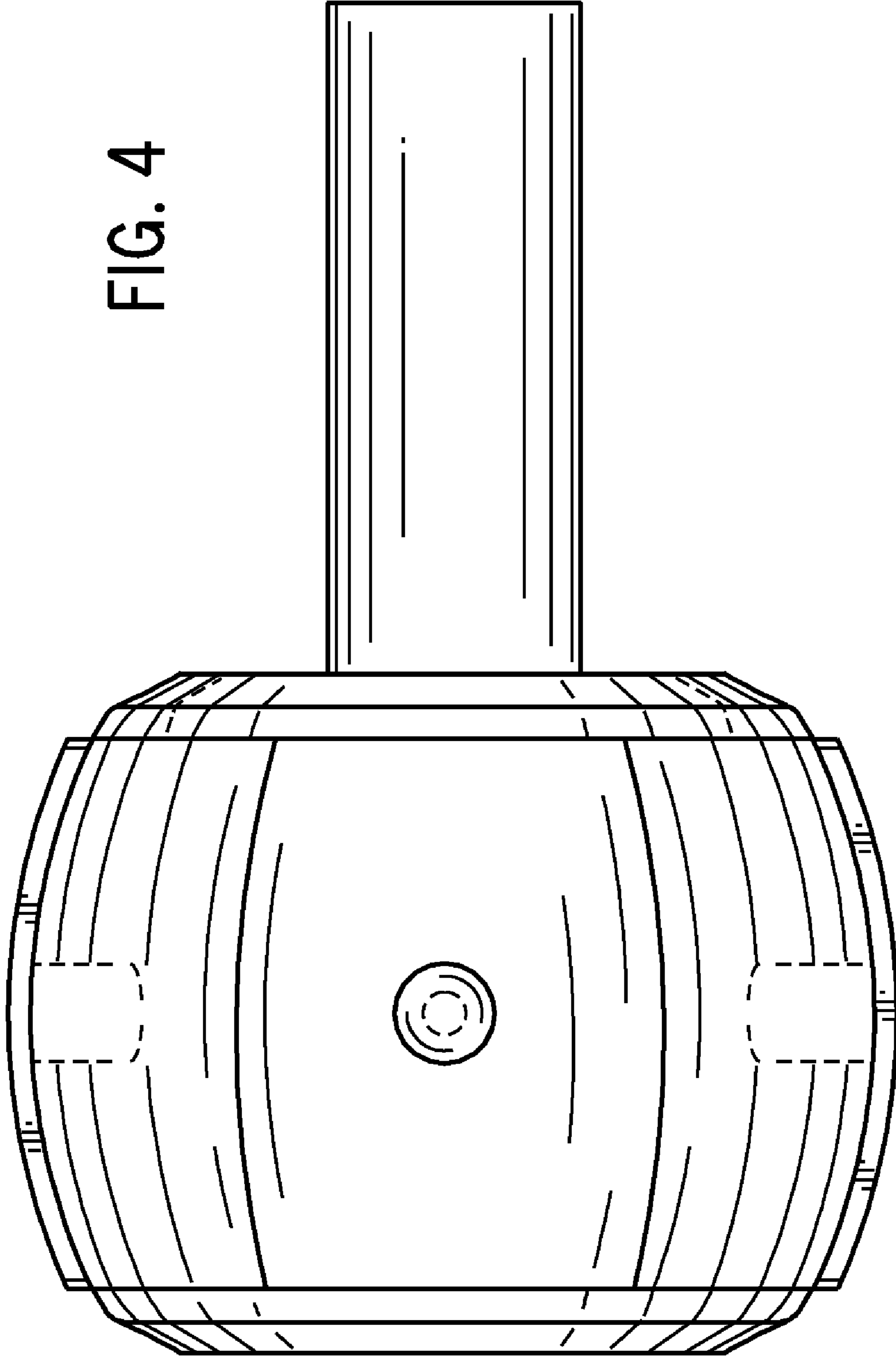


FIG. 3

FIG. 4



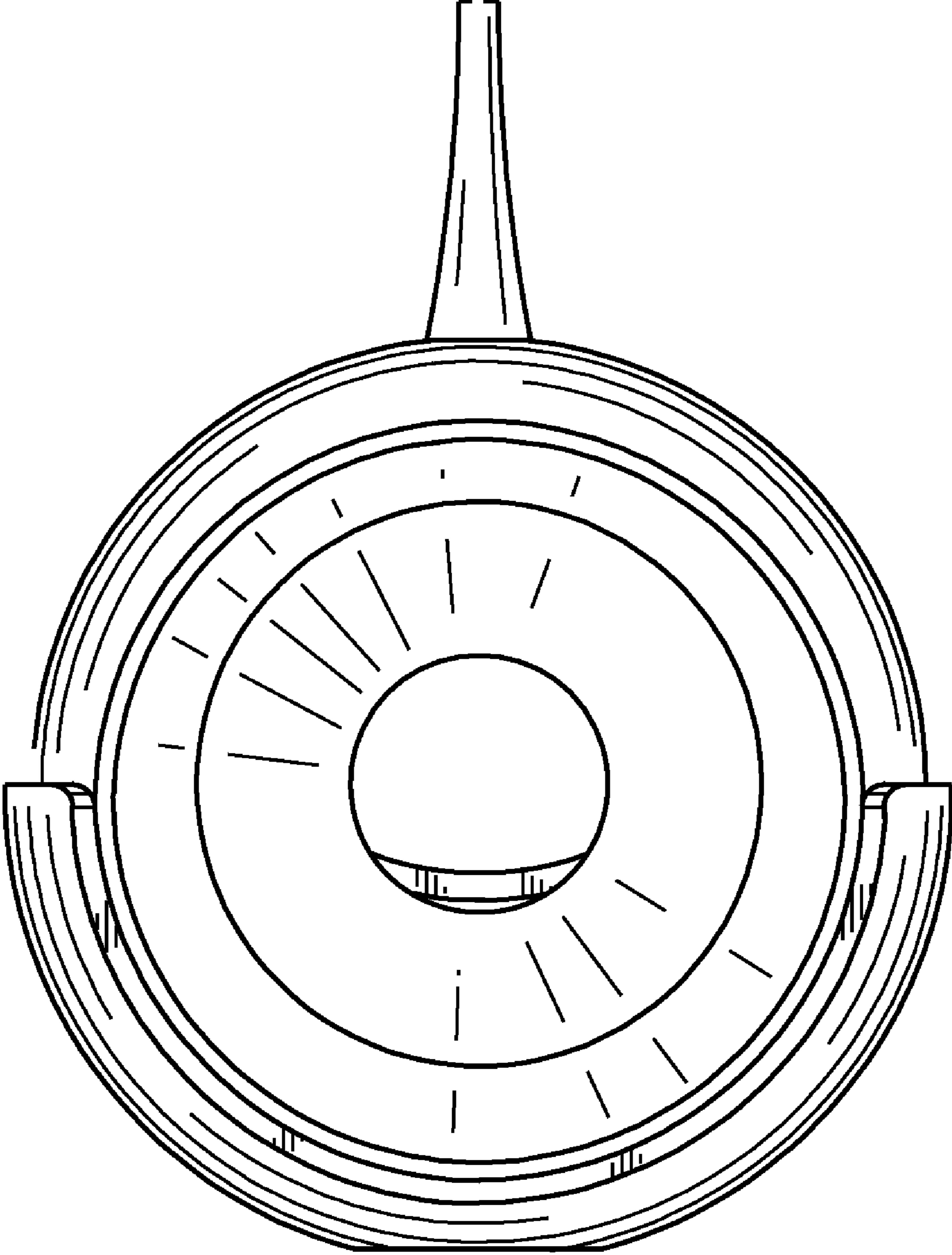


FIG. 5