



US00D639950S

(12) **United States Design Patent**  
**Ramos**

(10) **Patent No.:** **US D639,950 S**

(45) **Date of Patent:** **\*\* Jun. 14, 2011**

(54) **MEDICAL IMAGING SCANNER**

(75) Inventor: **Ryan Ramos**, Greenfield, WI (US)

(73) Assignee: **General Electric Company**,  
Schenectady, NY (US)

(\*\*) Term: **14 Years**

(21) Appl. No.: **29/359,652**

(22) Filed: **Apr. 14, 2010**

(51) **LOC (9) Cl.** ..... **24-01**

(52) **U.S. Cl.** ..... **D24/158**

(58) **Field of Classification Search** ..... D24/158-161,  
D24/186, 183-185; 378/4, 15, 17, 20, 21,  
378/23-27, 146

See application file for complete search history.

(56) **References Cited**

**U.S. PATENT DOCUMENTS**

4,334,154	A *	6/1982	Sandland	.....	378/4
D270,182	S *	8/1983	Wagner	.....	D24/159
D347,063	S *	5/1994	Ariyoshi et al.	.....	D24/159
D420,134	S *	2/2000	Kitayama	.....	D24/159
D432,655	S *	10/2000	Benders	.....	D24/158
D527,105	S *	8/2006	Kitayama et al.	.....	D24/158
D566,843	S *	4/2008	Ogiwara	.....	D24/158
D590,504	S *	4/2009	Ogiwara	.....	D24/158
D625,416	S *	10/2010	Kasai et al.	.....	D24/158
2001/0053203	A1 *	12/2001	Ishii et al.	.....	378/198

\* cited by examiner

*Primary Examiner* — T. Chase Nelson

*Assistant Examiner* — Anhdao Doan

(74) *Attorney, Agent, or Firm* — Ziolkowski Patent  
Solutions Group, SC

(57) **CLAIM**

The ornamental design for a medical imaging scanner, as  
shown and described.

**DESCRIPTION**

FIG. 1 is a perspective view of a medical imaging scanner  
having a design thereon in accordance with an embodiment of  
the present invention.

FIG. 2 is a front elevational view of the medical imaging  
scanner of FIG. 1.

FIG. 3 is a top plan view of the medical imaging scanner of  
FIG. 1.

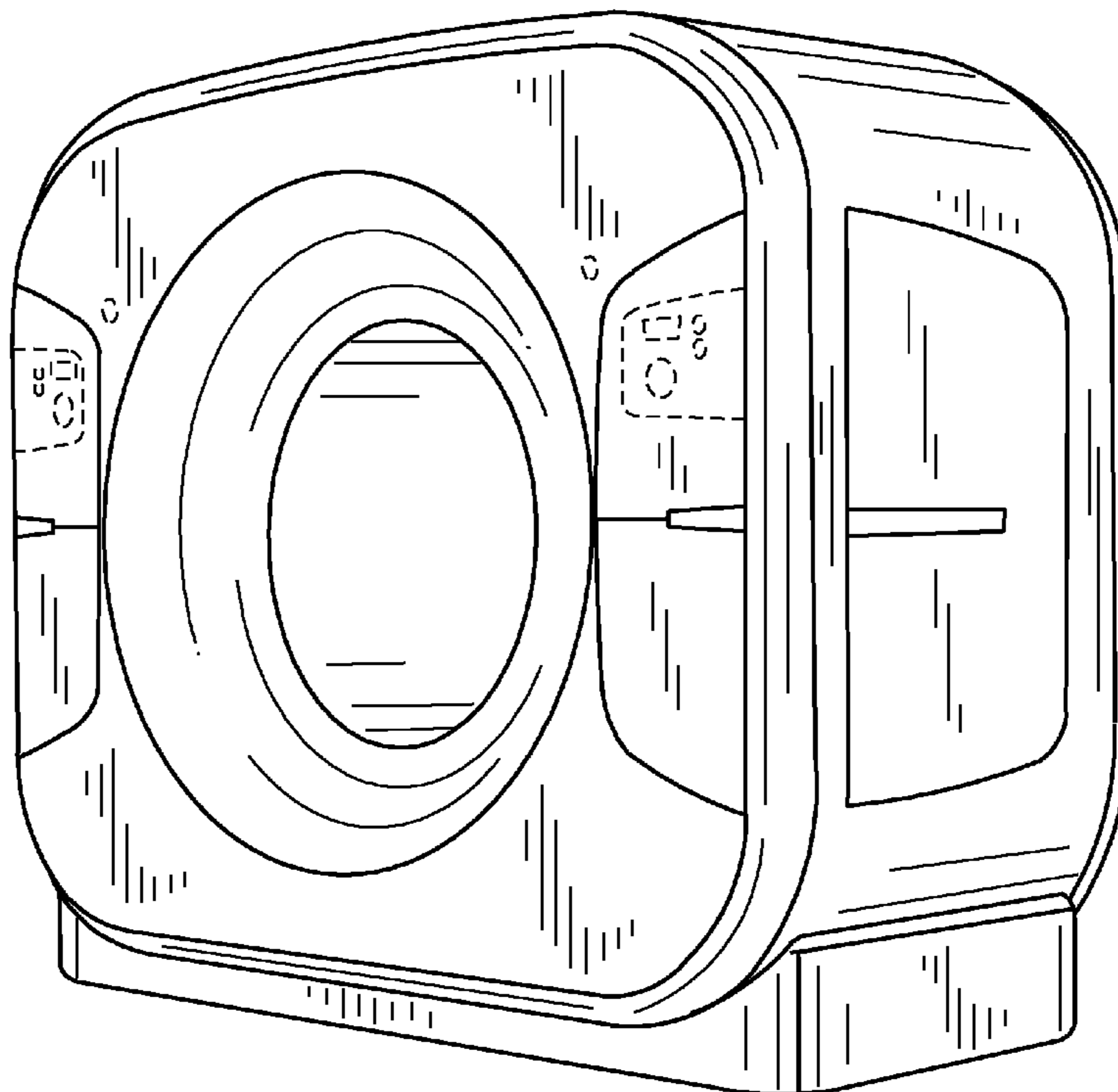
FIG. 4 is a side elevational view of the medical imaging  
scanner of FIG. 1.

FIG. 5 is a rear elevational view of the medical imaging  
scanner of FIG. 1; and,

FIG. 6 is a bottom plan view of the medical imaging scanner  
of FIG. 1.

The broken lines in the drawing views are included for the  
purpose of illustrating portions of the medical imaging scan-  
ner that form no part of the claimed design.

**1 Claim, 6 Drawing Sheets**



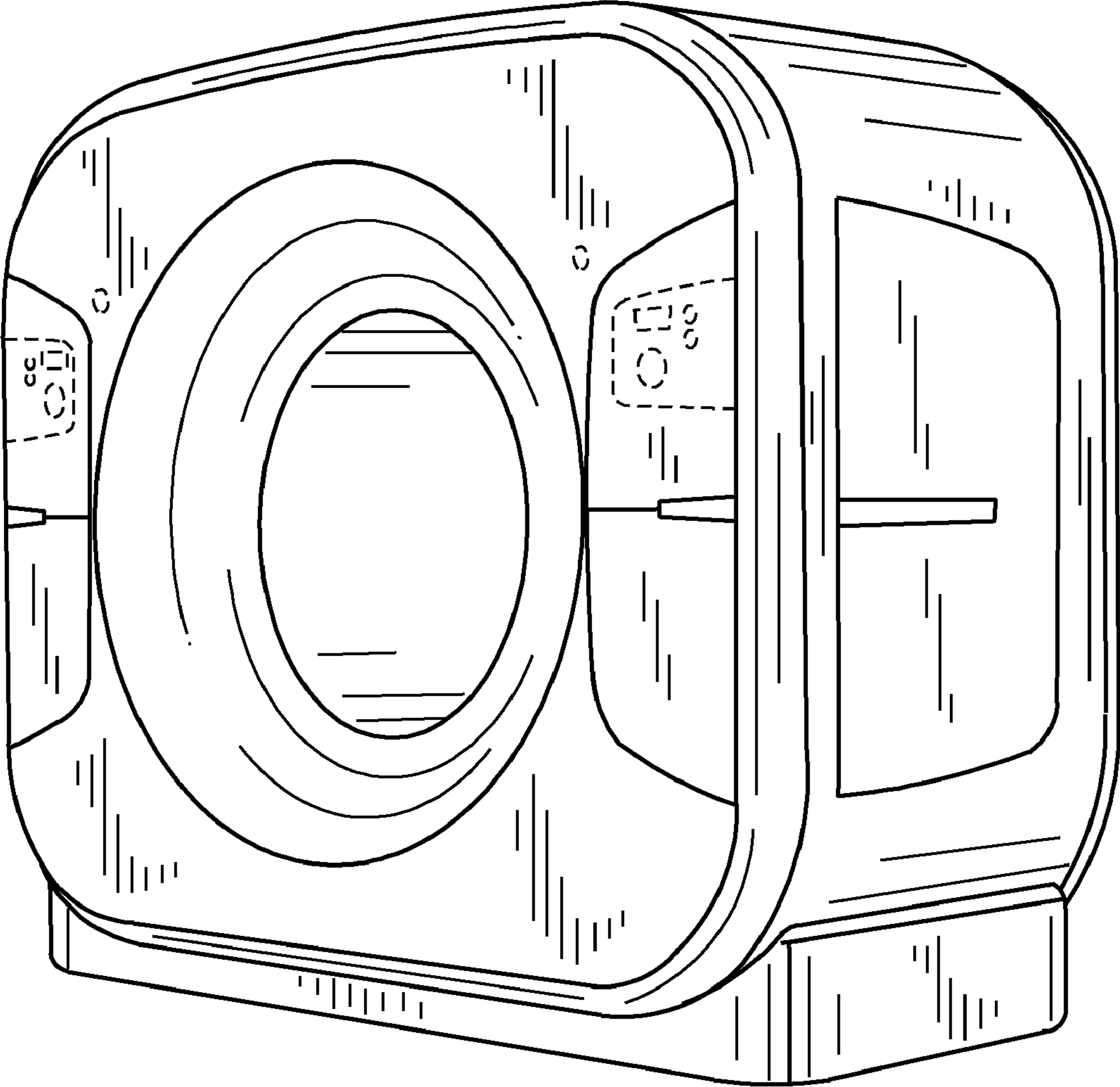


FIG. 1

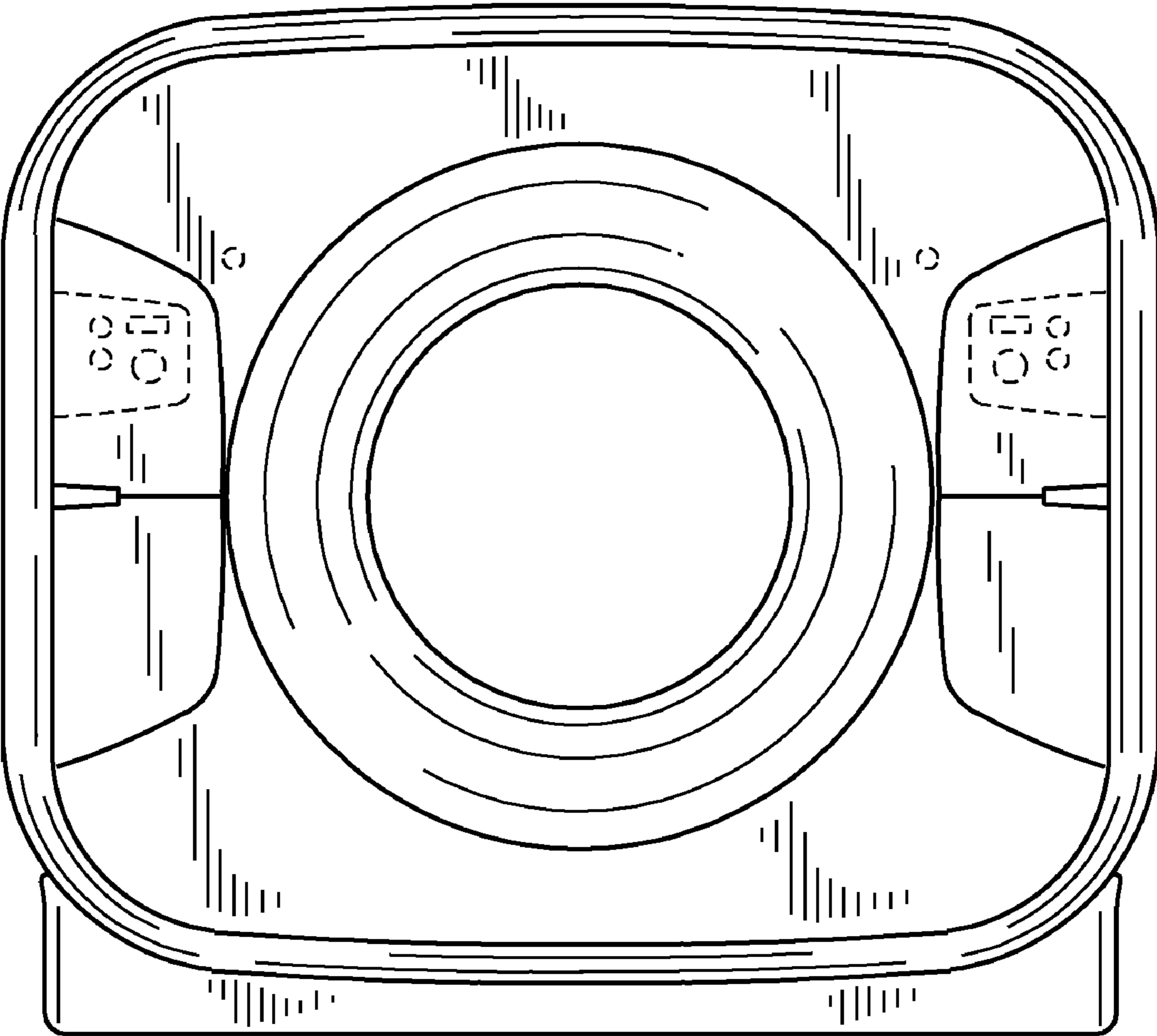


FIG. 2

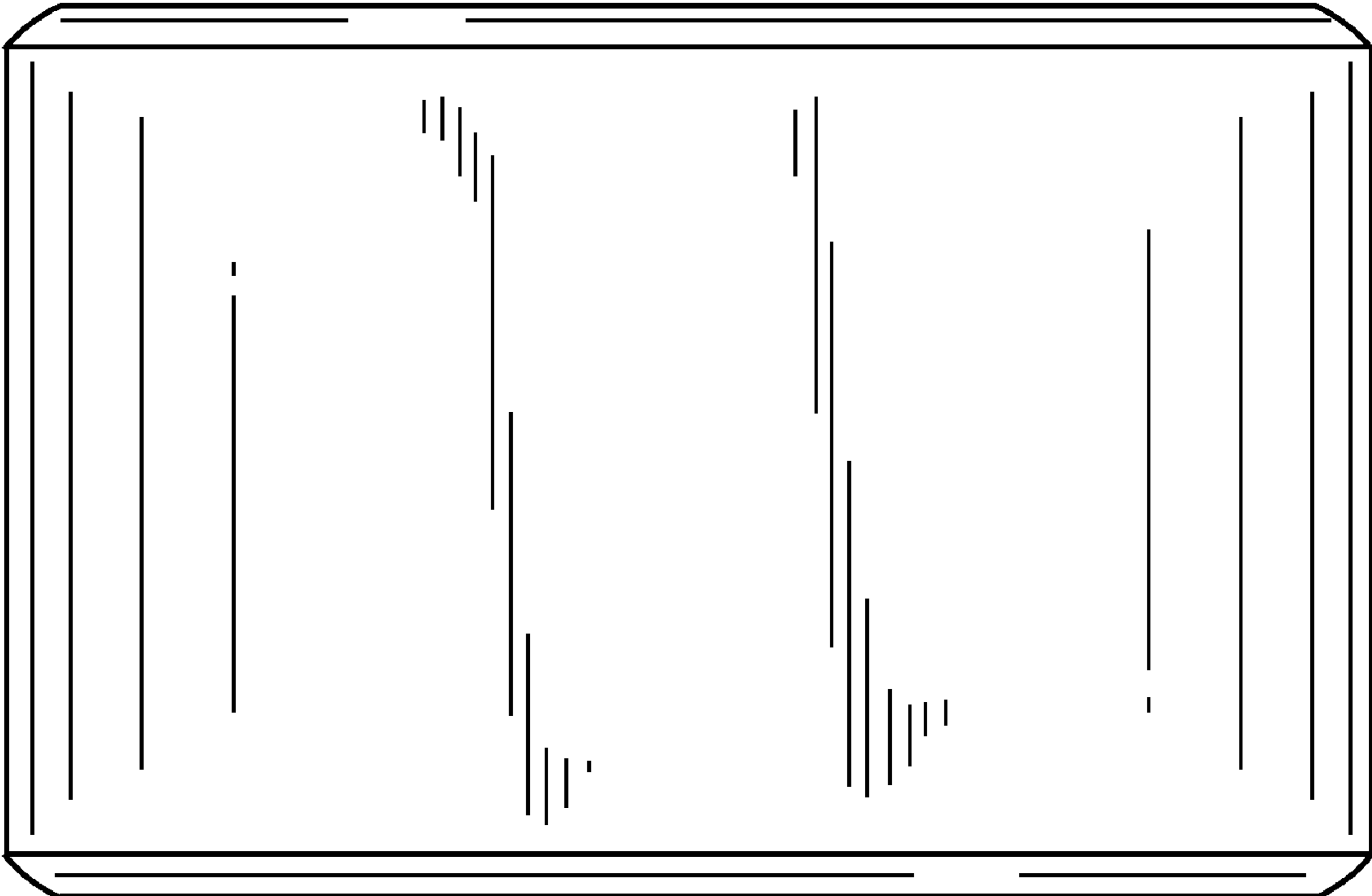


FIG. 3

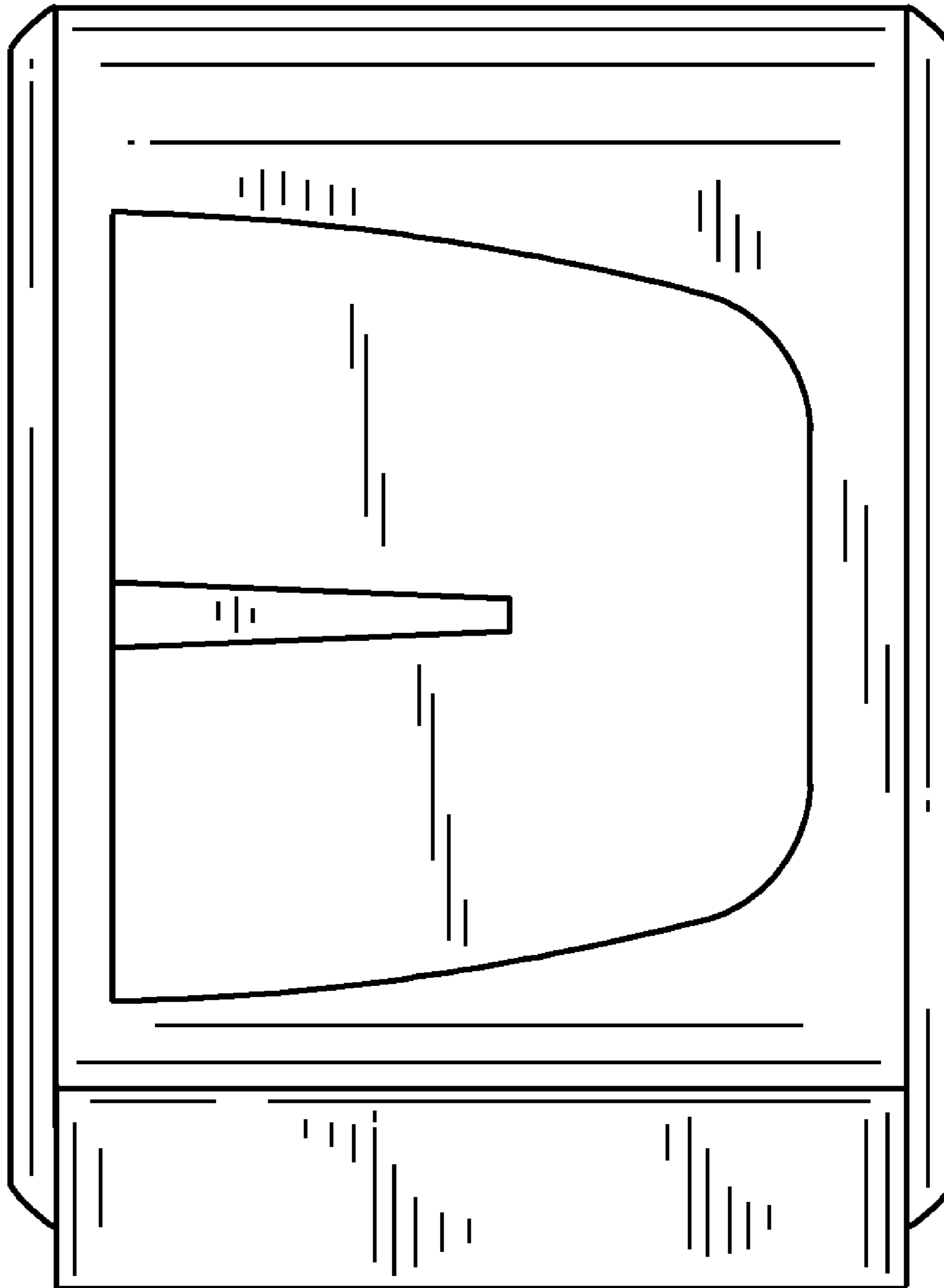


FIG. 4

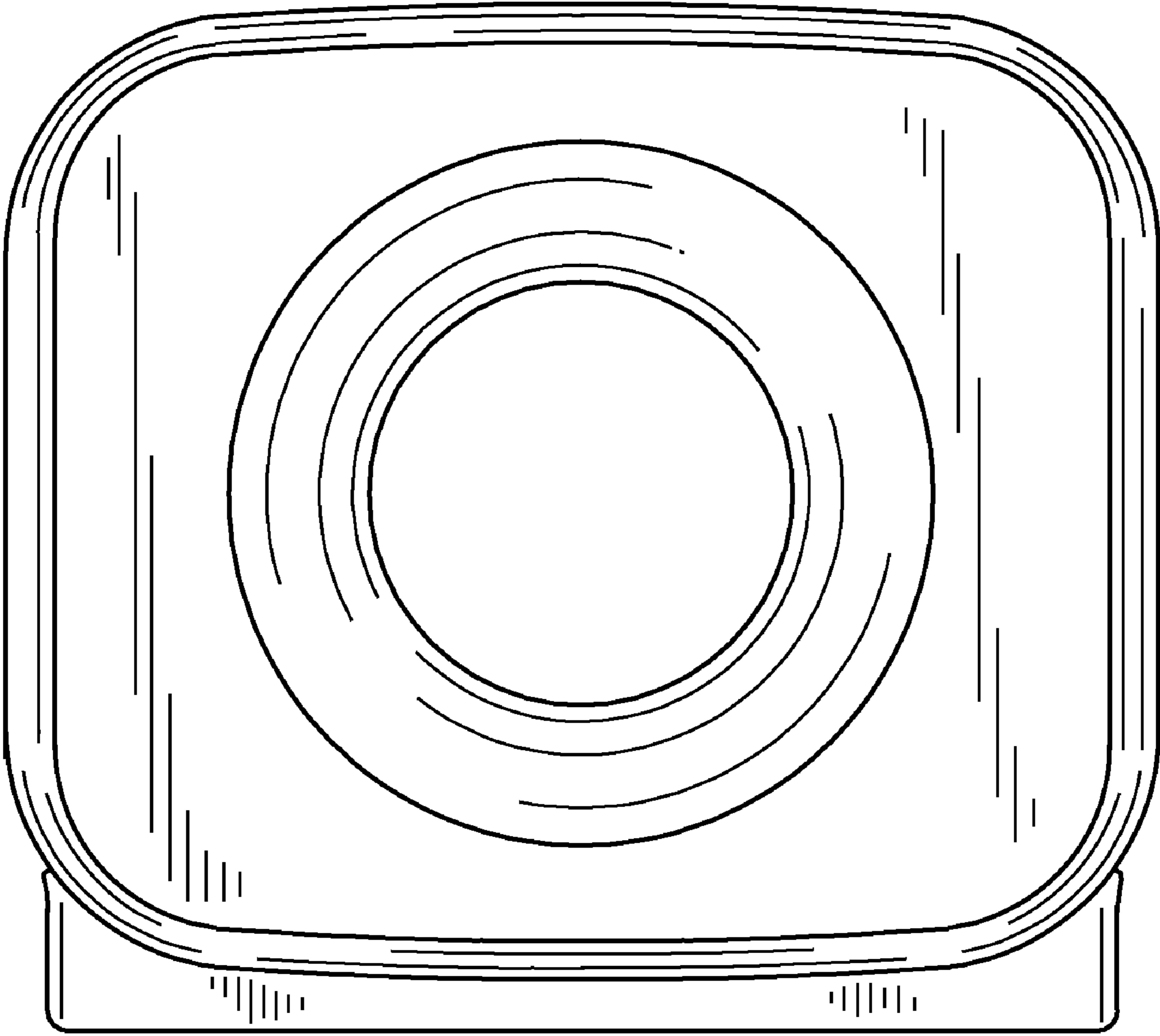


FIG. 5

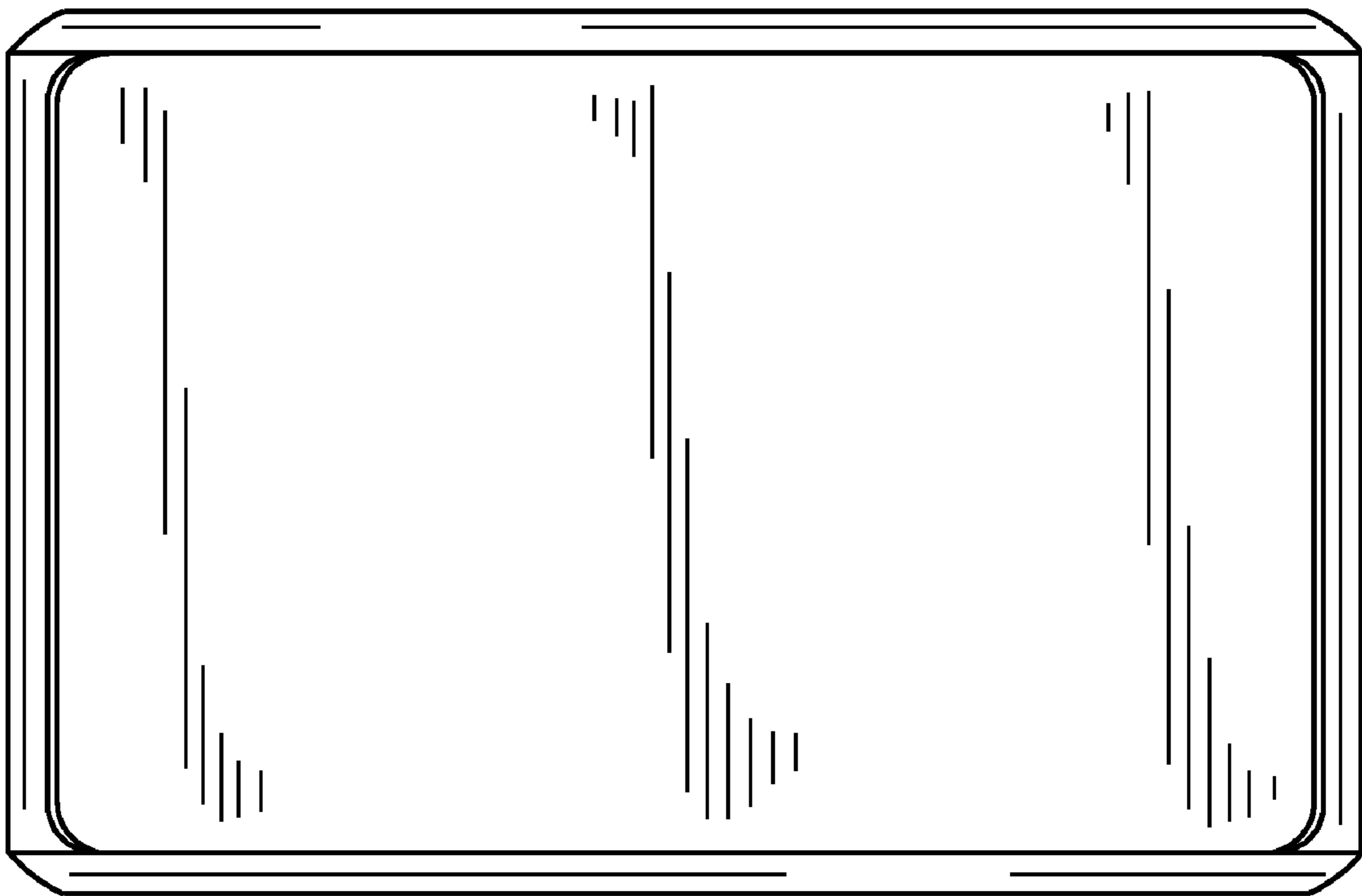


FIG. 6