



US00D639948S

(12) **United States Design Patent**
Personnelli

(10) **Patent No.:** **US D639,948 S**

(45) **Date of Patent:** **** Jun. 14, 2011**

(54) **MOBILE MEDICAL IMAGING SCANNER**

(75) Inventor: **Regis Personnelli**, Fontenay-le-Fleury (FR)

(73) Assignee: **General Electric Company**, Schenectady, NY (US)

(**) Term: **14 Years**

(21) Appl. No.: **29/359,553**

(22) Filed: **Apr. 13, 2010**

(51) **LOC (9) Cl.** **24-01**

(52) **U.S. Cl.** **D24/158**

(58) **Field of Classification Search** D24/158-161, D24/186, 183-185; 378/4, 15, 17, 20, 21, 378/23-27, 146

See application file for complete search history.

(56) **References Cited**

U.S. PATENT DOCUMENTS

D286,325 S *	10/1986	LaCelle et al.	D24/160
D306,343 S *	2/1990	Ungar	D24/160
D323,387 S *	1/1992	Neumeister	D24/170
D389,917 S *	1/1998	Hornback et al.	D24/186
6,358,207 B1 *	3/2002	Lathbury et al.	600/437
D472,635 S *	4/2003	Stringer et al.	D24/160
7,593,503 B2 *	9/2009	Sukovic et al.	378/4
D603,048 S *	10/2009	Fleck et al.	D24/185

* cited by examiner

Primary Examiner — T. Chase Nelson

Assistant Examiner — Anhdao Doan

(74) *Attorney, Agent, or Firm* — Ziolkowski Patent Solutions Group, SC

(57) **CLAIM**

The ornamental design for a mobile medical imaging scanner, as shown and described.

DESCRIPTION

FIG. 1 is a perspective view of a mobile medical imaging scanner having a design thereon in accordance with an embodiment of the present invention.

FIG. 2 is a side elevational view of the mobile medical imaging scanner of FIG. 1.

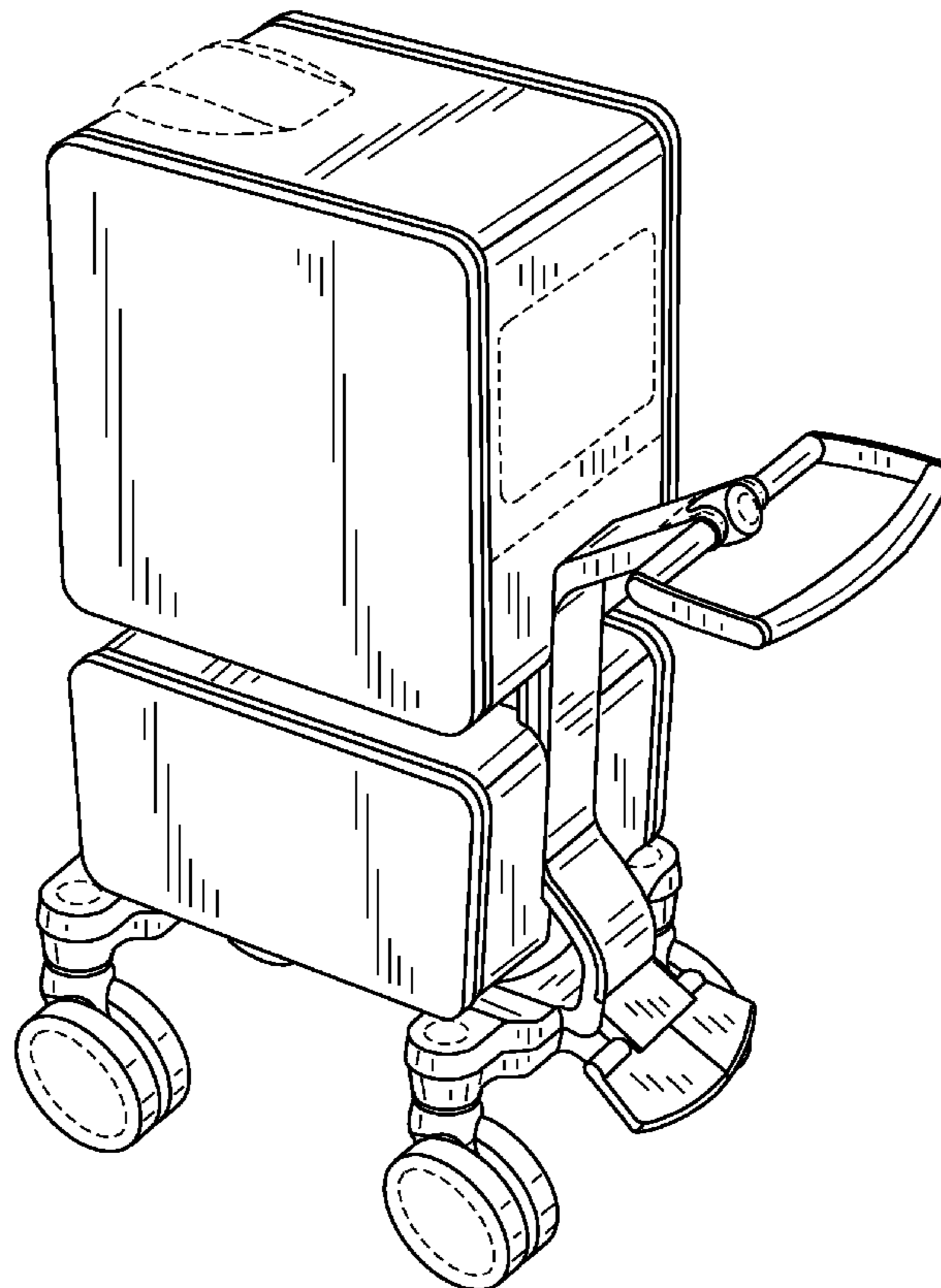
FIG. 3 is a rear elevational view of the mobile medical imaging scanner of FIG. 1.

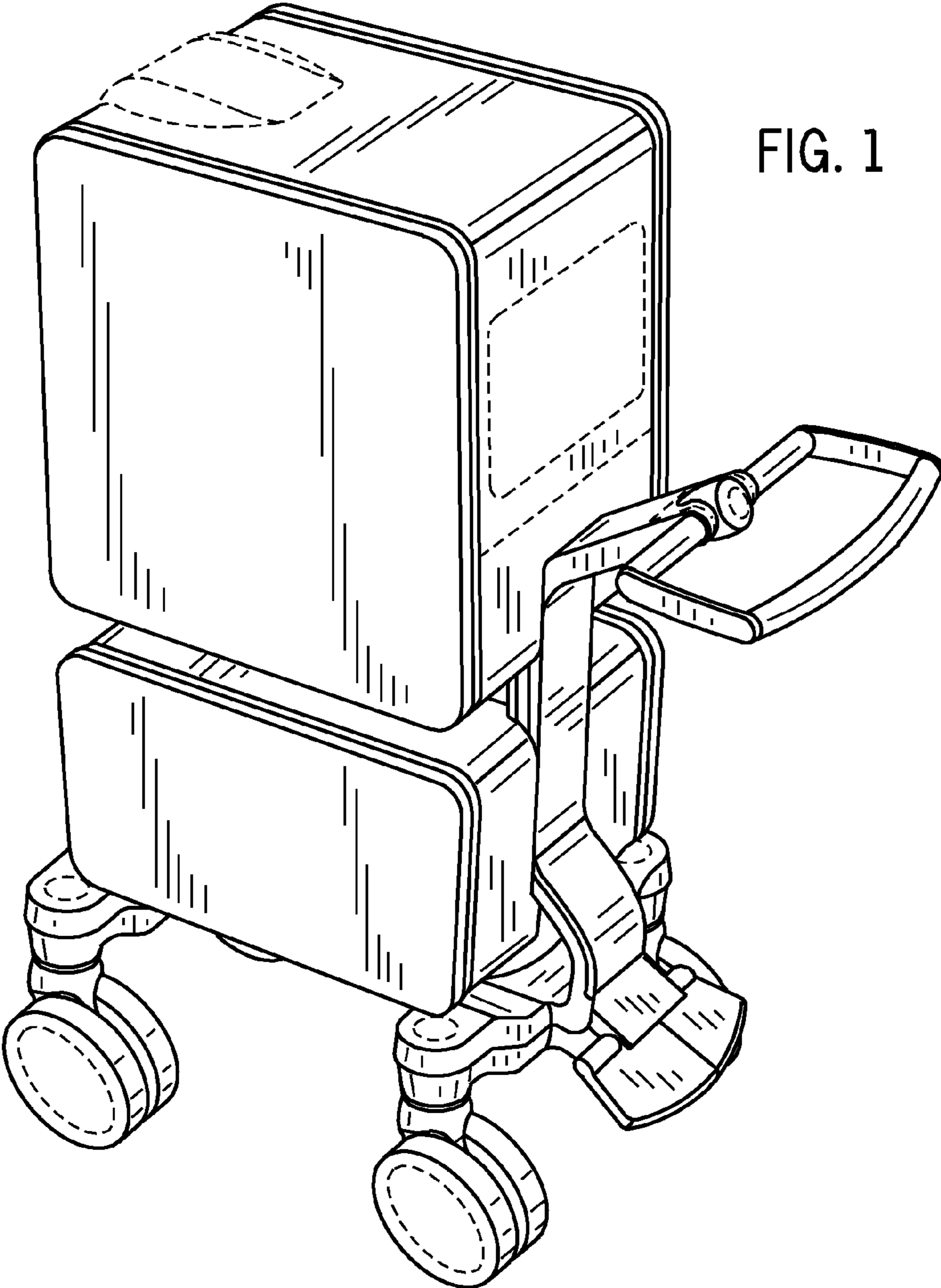
FIG. 4 is a front elevational view of the mobile medical imaging scanner of FIG. 1; and,

FIG. 5 is a top plan view of the mobile medical imaging scanner of FIG. 1.

The broken lines in the drawing views are included for the purpose of illustrating portions of the mobile medical imaging scanner that form no part of the claimed design.

1 Claim, 5 Drawing Sheets





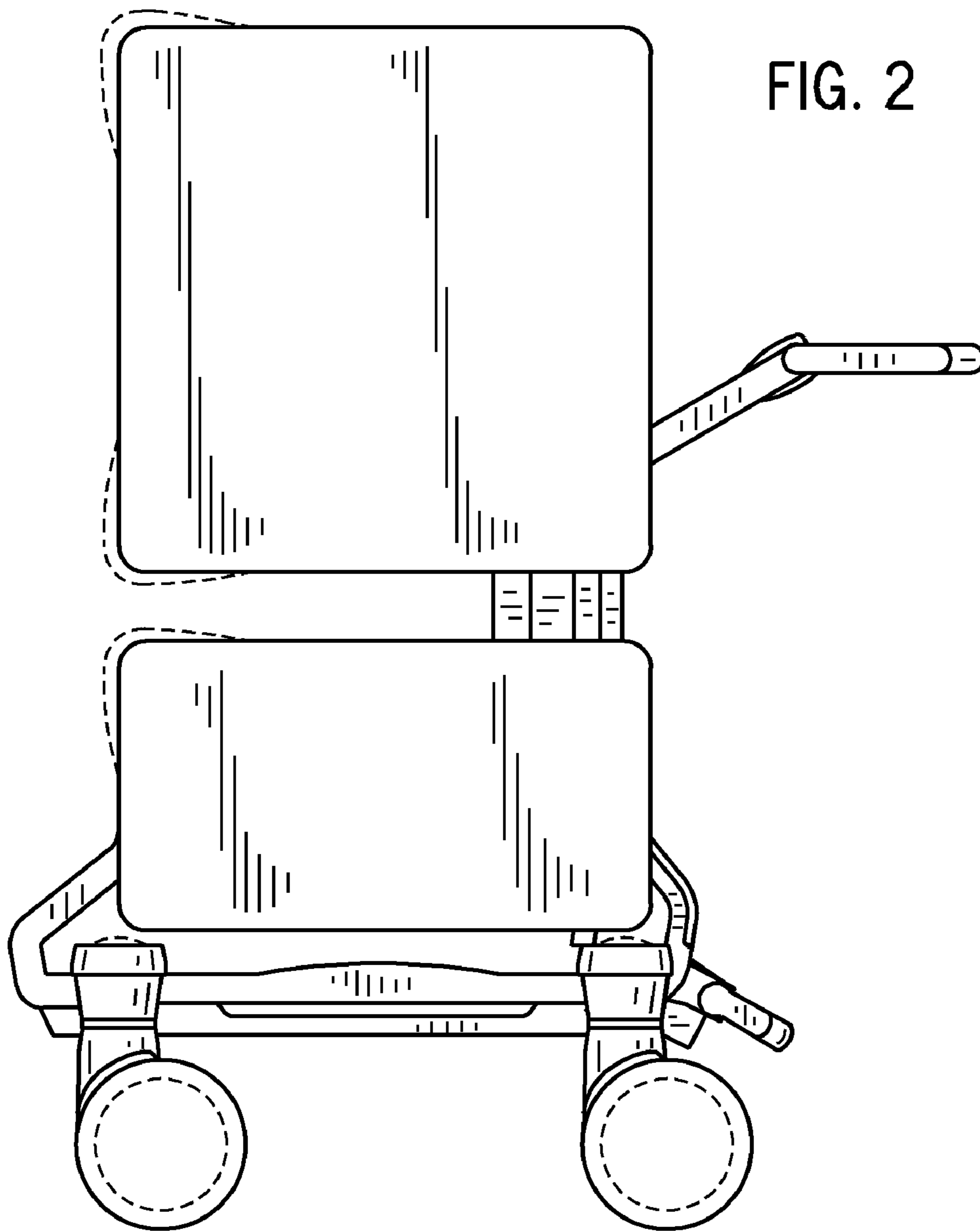
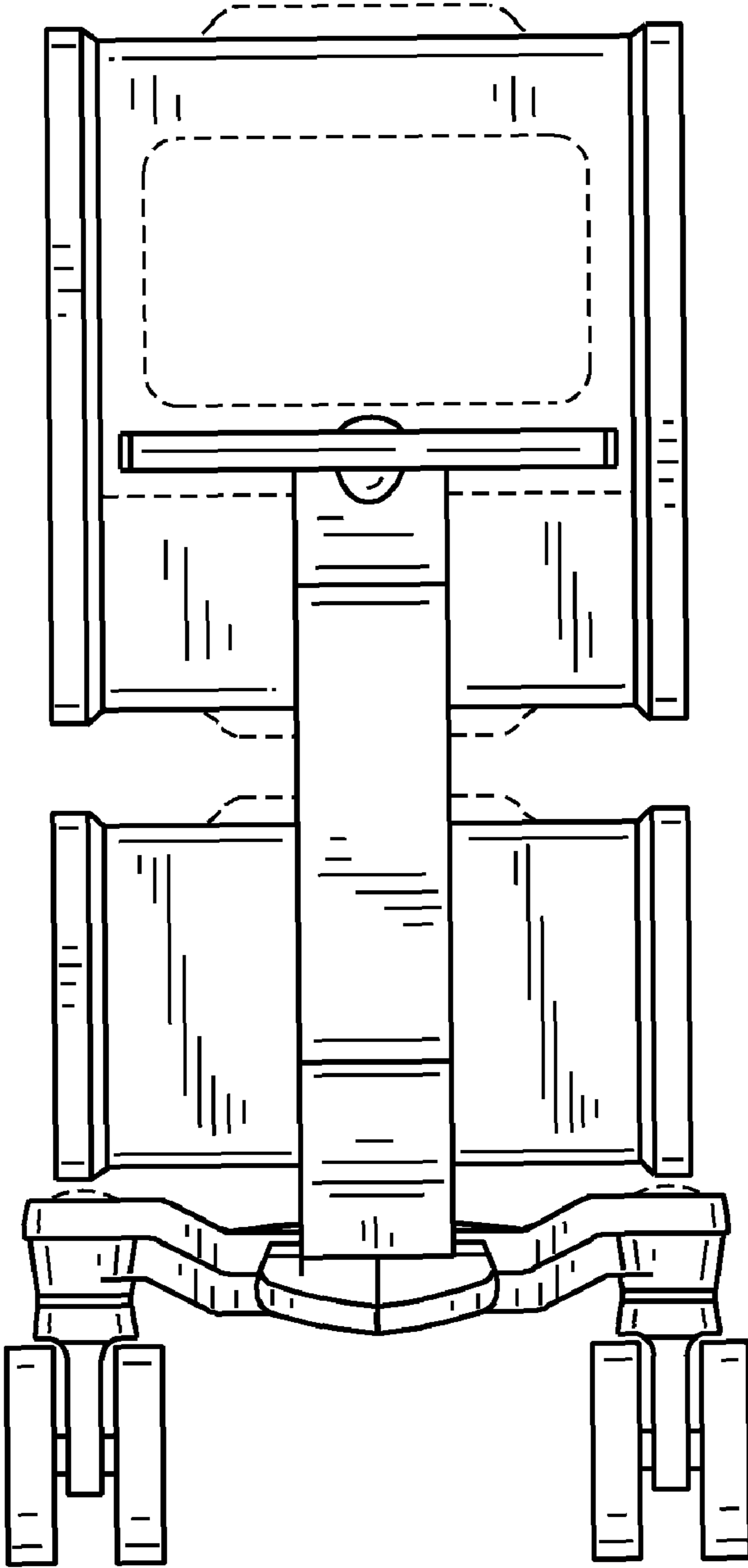


FIG. 2

FIG. 3



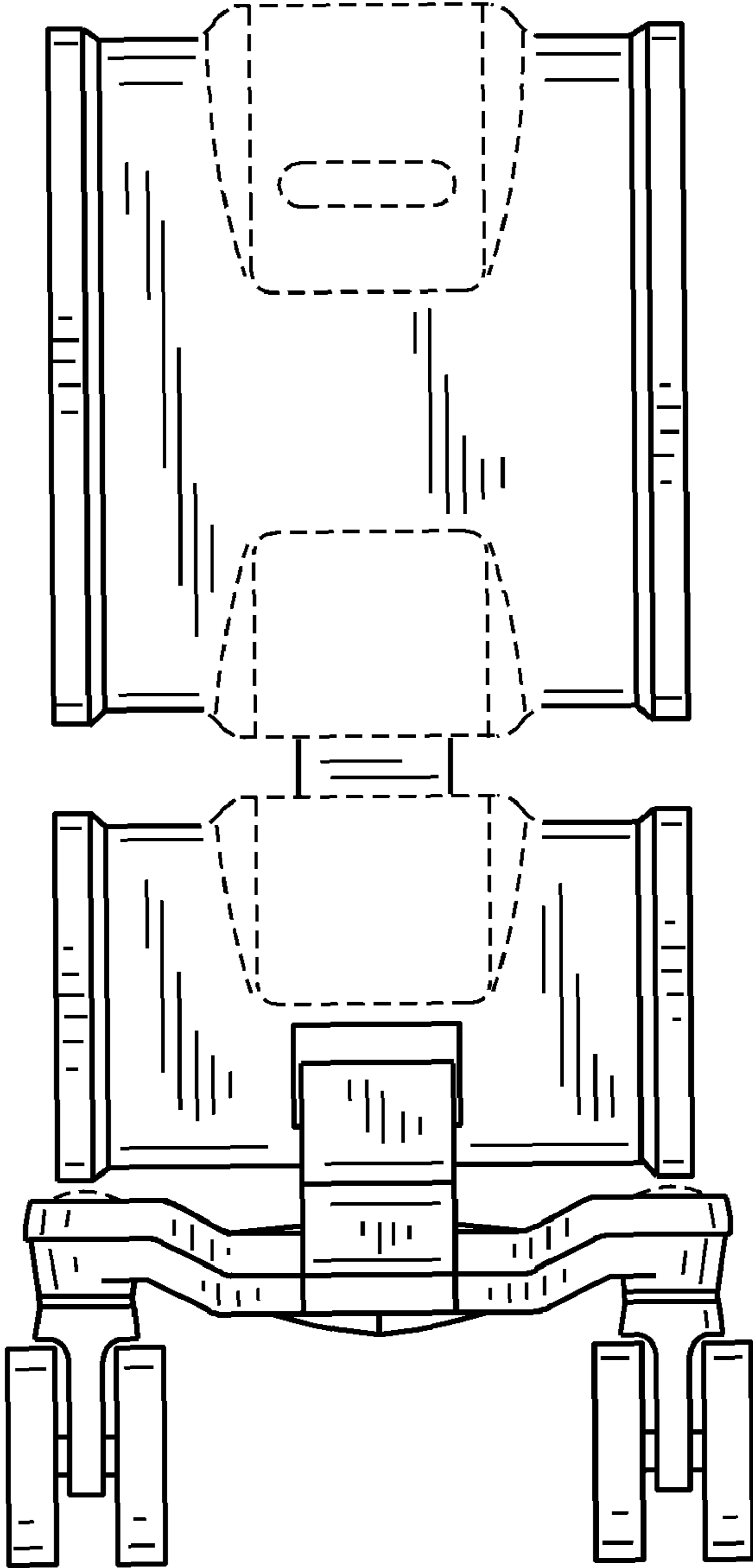


FIG. 4

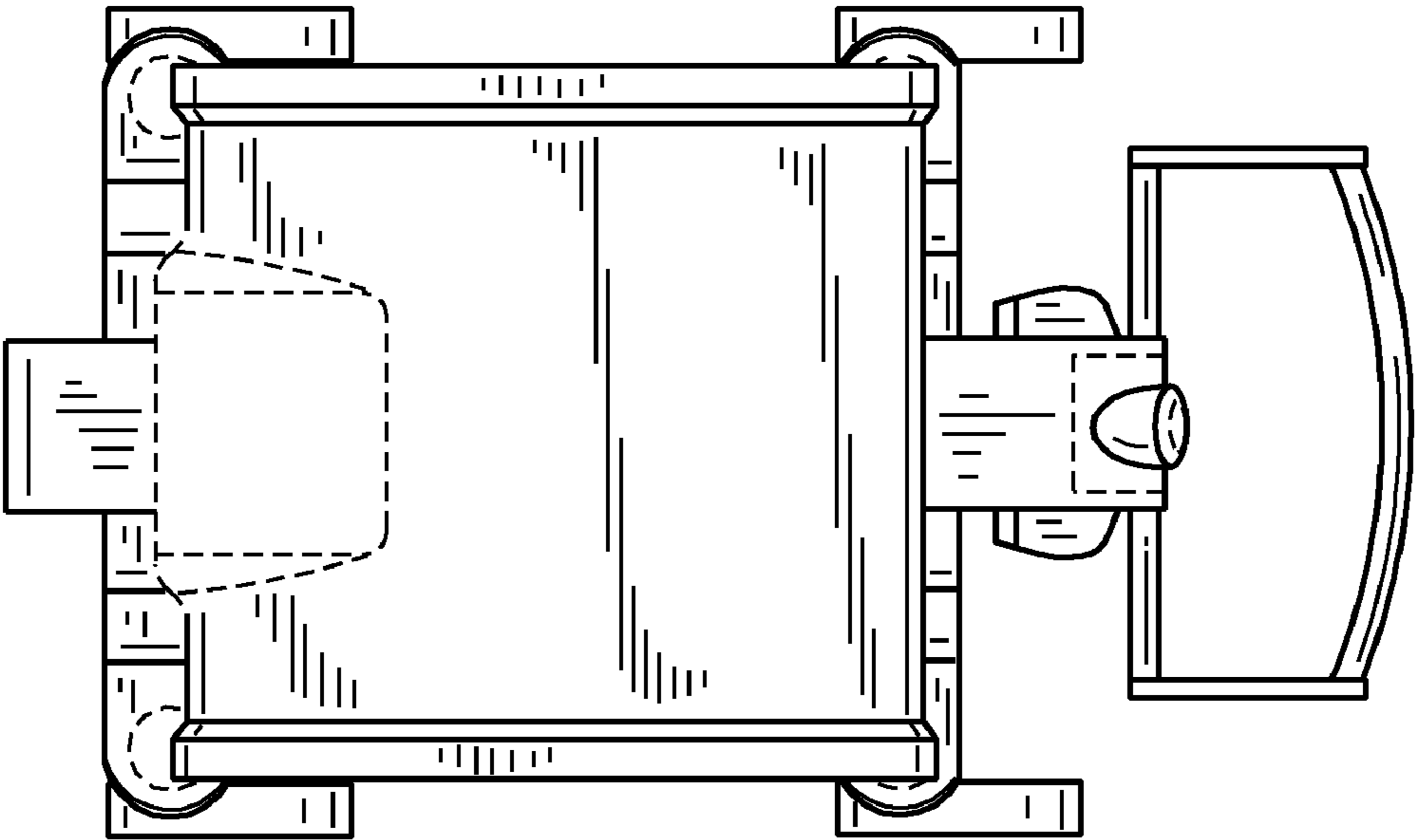


FIG. 5