



US00D639947S

(12) **United States Design Patent**
Choi et al.

(10) **Patent No.:** **US D639,947 S**

(45) **Date of Patent:** **** Jun. 14, 2011**

(54) **PANORAMIC DENTAL X-RAY SYSTEM**

D571,471 S * 6/2008 Stockl D24/158
7,469,032 B2 * 12/2008 Walker et al. 378/38
D604,414 S * 11/2009 Otsuka et al. D24/158

(75) Inventors: **Charles Choi**, Chicago, IL (US);
Nathan Luman, Chicago, IL (US)

* cited by examiner

(73) Assignee: **Midmark Corporation**, Versailles, OH
(US)

Primary Examiner — T. Chase Nelson

Assistant Examiner — Anhdao Doan

(**) Term: **14 Years**

(74) *Attorney, Agent, or Firm* — Wood, Herron & Evans,
LLP

(21) Appl. No.: **29/352,045**

(57) **CLAIM**

(22) Filed: **Dec. 15, 2009**

The ornamental design for a panoramic dental x-ray system,
as shown and described.

(51) **LOC (9) Cl.** **24-01**

(52) **U.S. Cl.** **D24/158**

(58) **Field of Classification Search** D24/158-161,
D24/186, 183-185; 378/4, 15, 17, 20, 21,
378/23-27, 38-40, 146

DESCRIPTION

See application file for complete search history.

FIG. 1 is a perspective view of a panoramic dental x-ray system according to a preferred embodiment of the invention; FIG. 2 is a right side view thereof; FIG. 3 is a left side view thereof; FIG. 4 is a rear view thereof; FIG. 5 is a front view thereof; FIG. 6 is a top view thereof; and, FIG. 7 is a bottom view thereof.

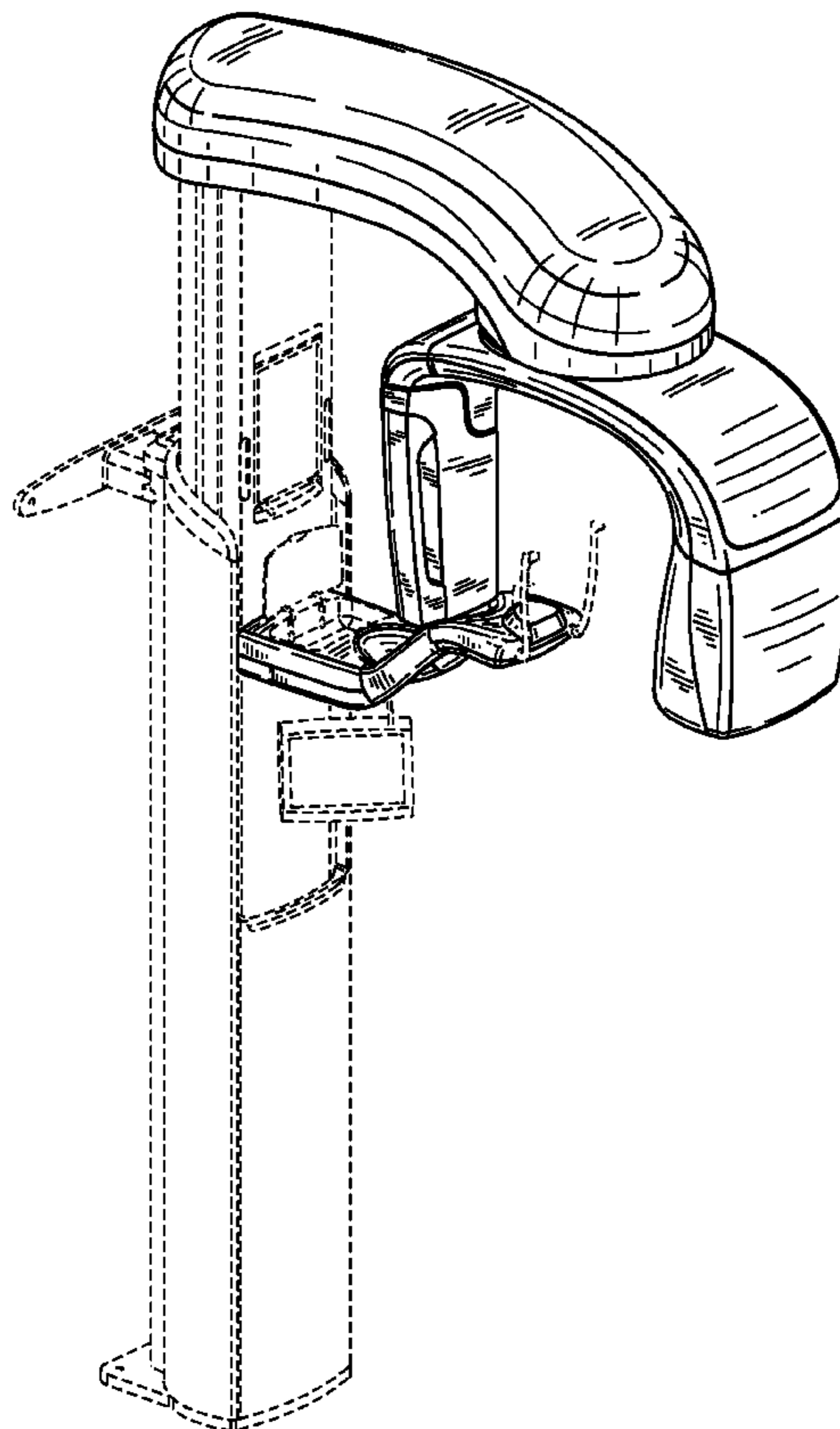
(56) **References Cited**

The broken lines in the drawing views are included for the purpose of illustrating portions of the panoramic dental x-ray system that form no part of the claimed design.

U.S. PATENT DOCUMENTS

D272,385 S * 1/1984 Nakano et al. D24/158
D323,892 S * 2/1992 Spoljaric D24/158
D417,503 S * 12/1999 Spoljaric D24/158
6,243,439 B1 * 6/2001 Arai et al. 378/20
D478,171 S * 8/2003 Malmen D24/158
D502,543 S * 3/2005 Phleps et al. D24/158
D549,340 S * 8/2007 Wang et al. D24/158

1 Claim, 5 Drawing Sheets



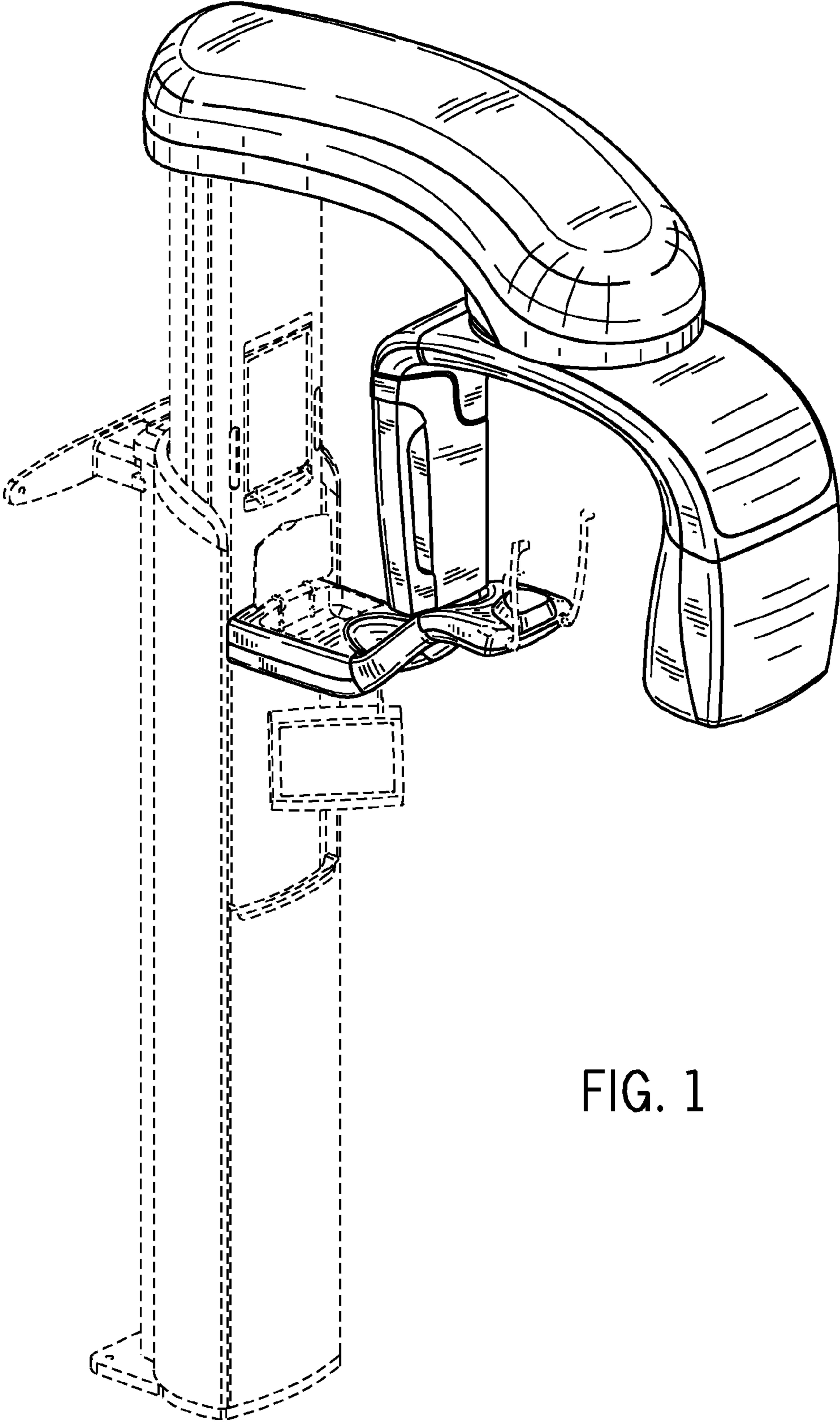


FIG. 1

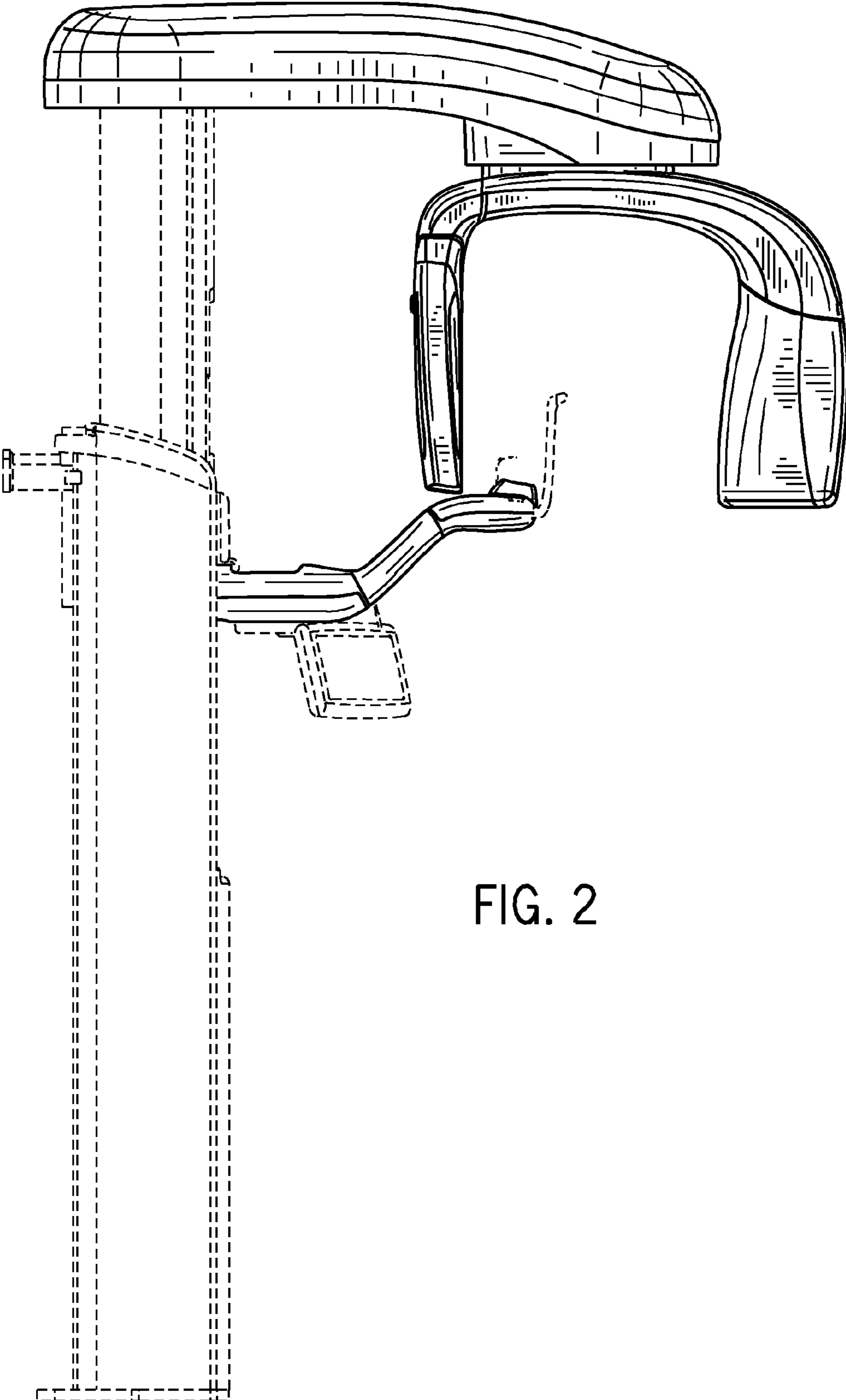


FIG. 2

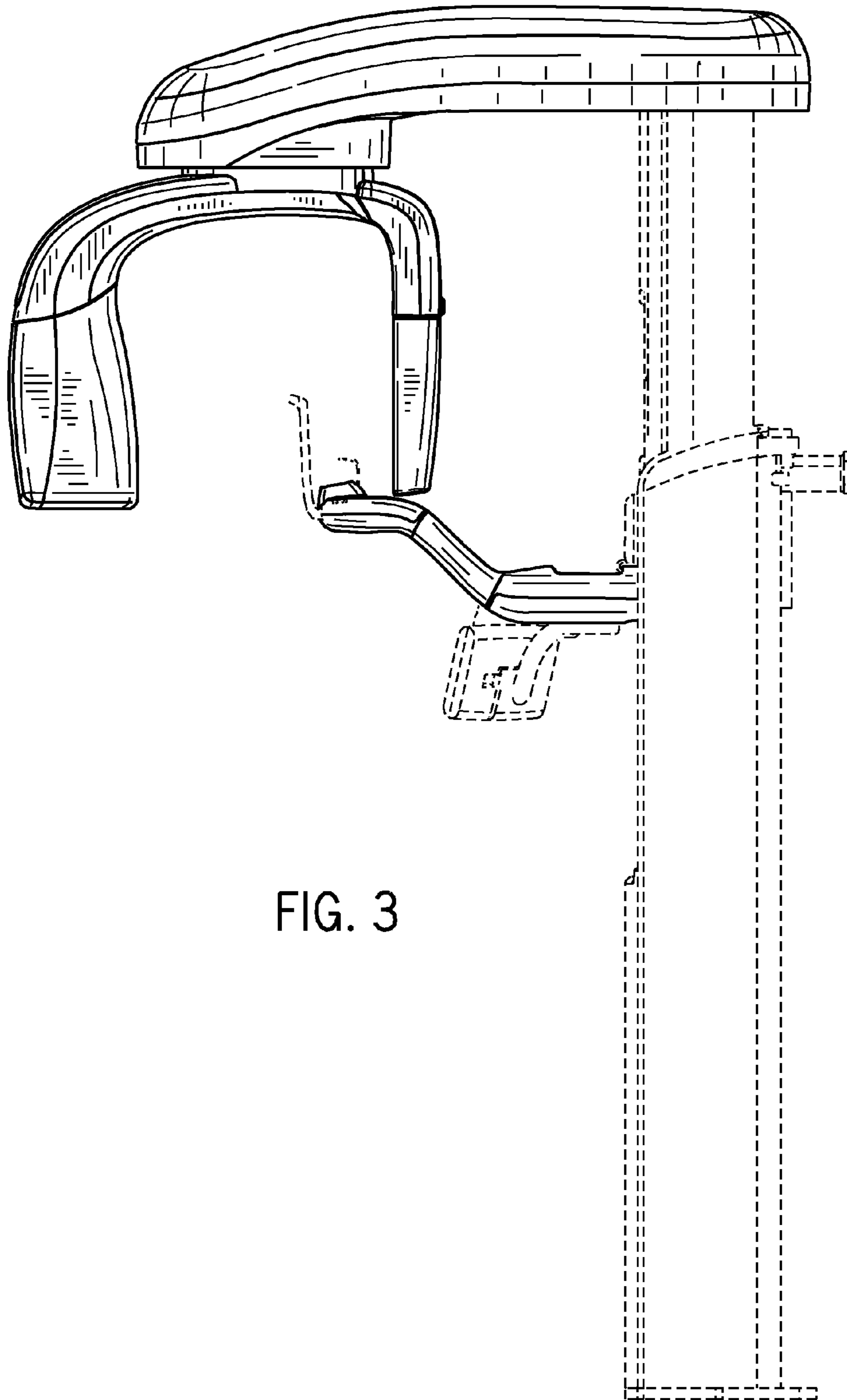


FIG. 3

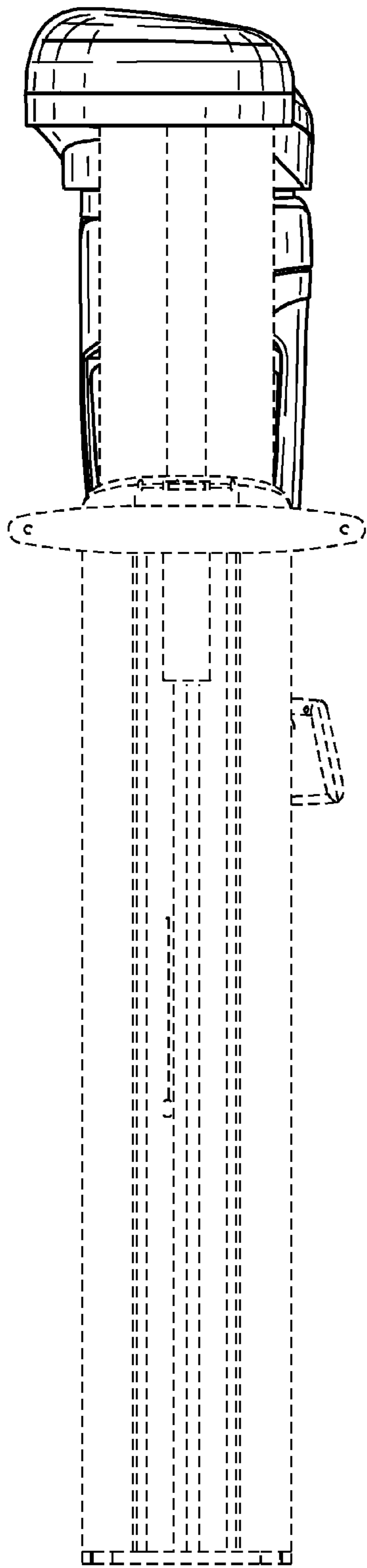


FIG. 4

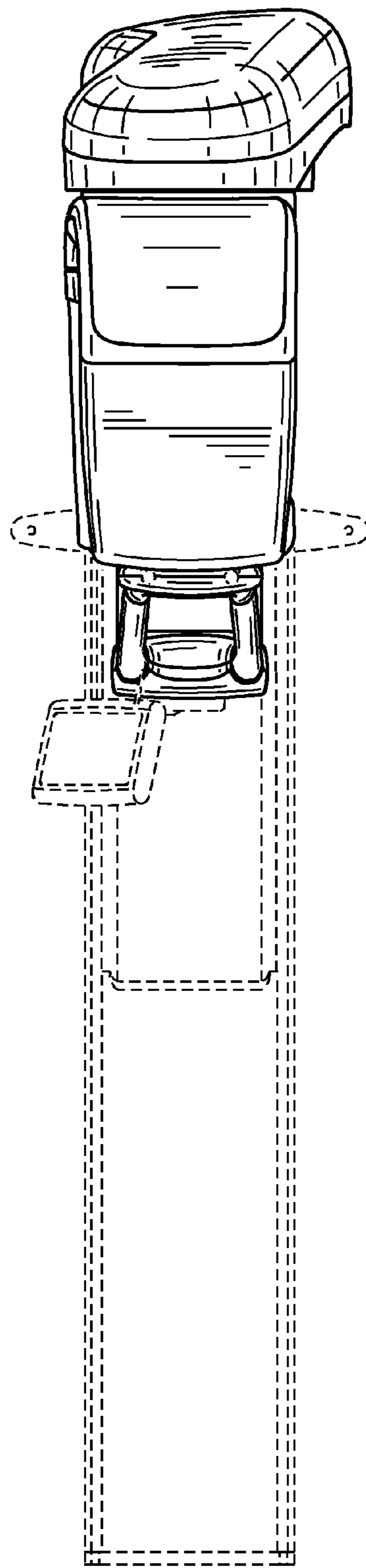


FIG. 5

FIG. 6

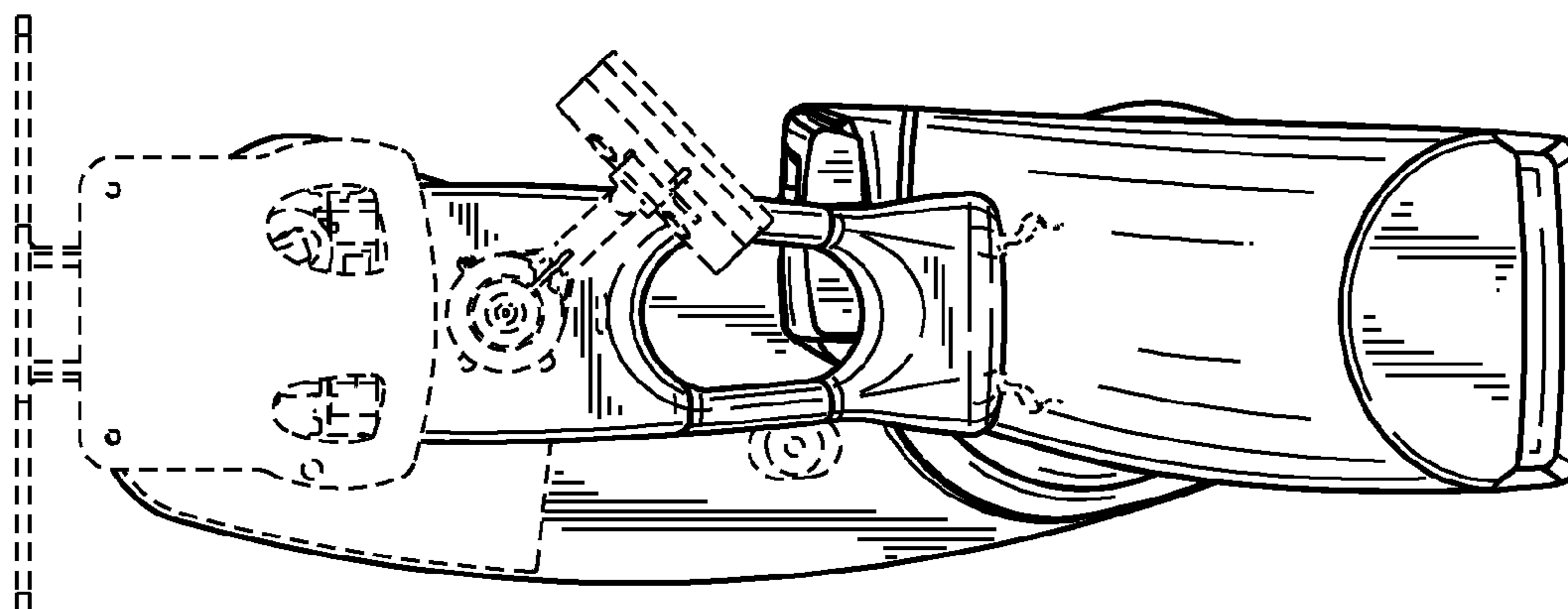
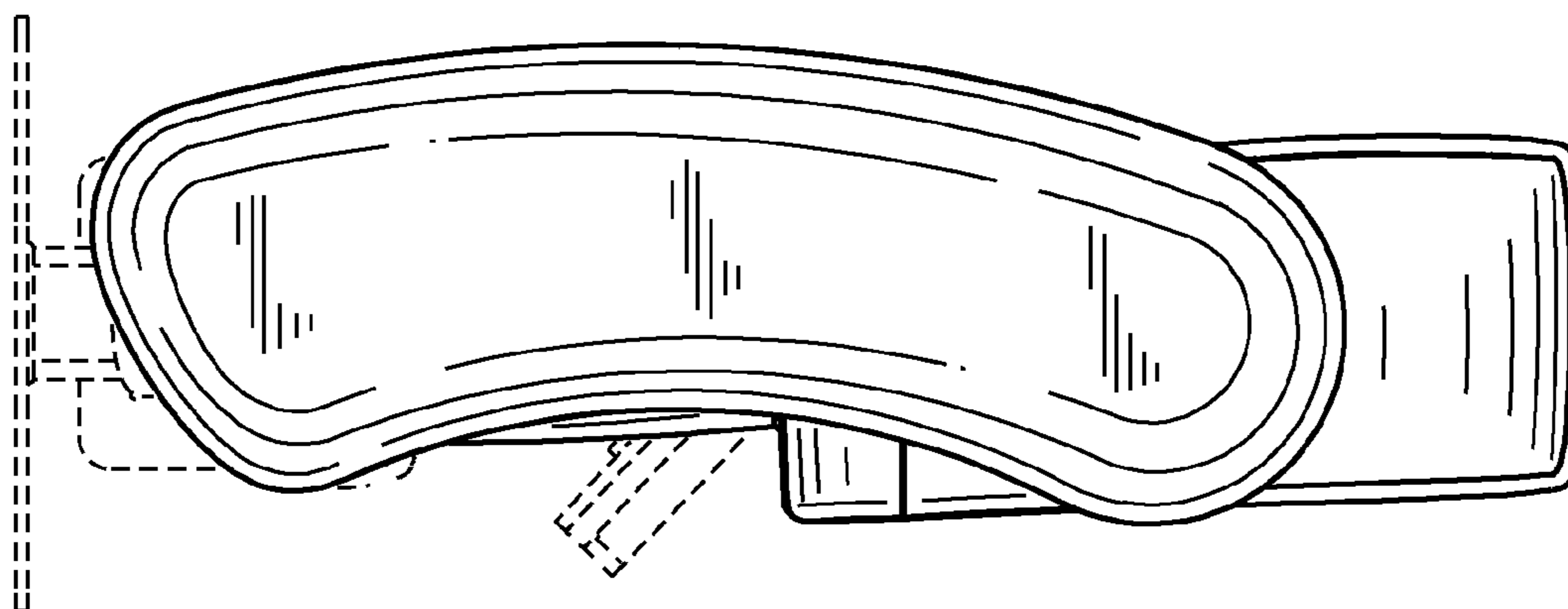


FIG. 7