



US00D639946S

(12) **United States Design Patent**
Simon

(10) **Patent No.:** **US D639,946 S**

(45) **Date of Patent:** **** Jun. 14, 2011**

(54) **APPLICATION PEN**

(75) Inventor: **Boris Simon**, München (DE)

(73) Assignee: **IvoclarVivadent A.G.**, Schaan (LI)

(**) Term: **14 Years**

(21) Appl. No.: **29/316,087**

(22) Filed: **Aug. 20, 2009**

(30) **Foreign Application Priority Data**

Jul. 23, 2009 (EP) 11 54 413

(51) **LOC (9) Cl.** **24-02**

(52) **U.S. Cl.** **D24/152; D24/112; D24/119**

(58) **Field of Classification Search** D24/152,
D24/108, 111-113, 119, 176; D28/7, 9,
D28/63; D11/143-145; 401/118-119, 124,
401/126, 129; 433/80-81, 84-85, 88-90,
433/114, 116, 130; 604/1, 176-177, 310,
604/317

See application file for complete search history.

(56) **References Cited**

U.S. PATENT DOCUMENTS

D241,984 S *	10/1976	Lahay	D24/112
4,391,590 A *	7/1983	Dougherty	433/90
4,619,613 A *	10/1986	Dragan	433/90
4,767,326 A *	8/1988	Bennett et al.	433/90
4,963,093 A *	10/1990	Dragan	433/90
5,083,921 A *	1/1992	Dragan	433/90
5,096,319 A *	3/1992	Gueret	401/126
5,165,890 A *	11/1992	Discko, Jr.	433/90
D353,673 S *	12/1994	Discko et al.	D24/152
D373,636 S *	9/1996	Martin	D24/152
5,662,472 A *	9/1997	Grutzner	433/90
5,829,976 A *	11/1998	Green	433/89
D406,643 S *	3/1999	Niedospial et al.	D24/112
D417,913 S *	12/1999	Szarmach	D24/152

(Continued)

FOREIGN PATENT DOCUMENTS

WO DM/072411 * 7/2009

Primary Examiner — Ian Simmons

Assistant Examiner — Wan Laymon

(74) *Attorney, Agent, or Firm* — John C. Thompson; Alan S. Korman; Sandra J. Thompson

(57) **CLAIM**

I claim the ornamental design for an application pen, as shown and described.

DESCRIPTION

FIG. 1 is a partially exploded perspective view of an application pen;

FIG. 2 is an exploded perspective view thereof, shown on a reduced scale;

FIG. 3 is a side view thereof, with the tip and the cap removed for ease of illustration;

FIG. 4 is another side view thereof;

FIG. 5 is another side view thereof;

FIG. 6 is another side view thereof;

FIG. 7 is a perspective view of FIG. 3, shown on a reduced scale;

FIG. 8 is an enlarged top view thereof;

FIG. 9 is an enlarged bottom view thereof;

FIG. 10 is an enlarged side view of the cap, with the application pen and the tip removed for ease of illustration;

FIG. 11 is another enlarged side view thereof;

FIG. 12 is an enlarged perspective view thereof;

FIG. 13 is another enlarged perspective view thereof;

FIG. 14 is an enlarged top view thereof;

FIG. 15 is an enlarged bottom view thereof;

FIG. 16 is an enlarged side view of the tip, with the application pen and the cap removed for ease of illustration;

FIG. 17 is another enlarged side view thereof;

FIG. 18 is another enlarged side view thereof;

FIG. 19 is a perspective view thereof;

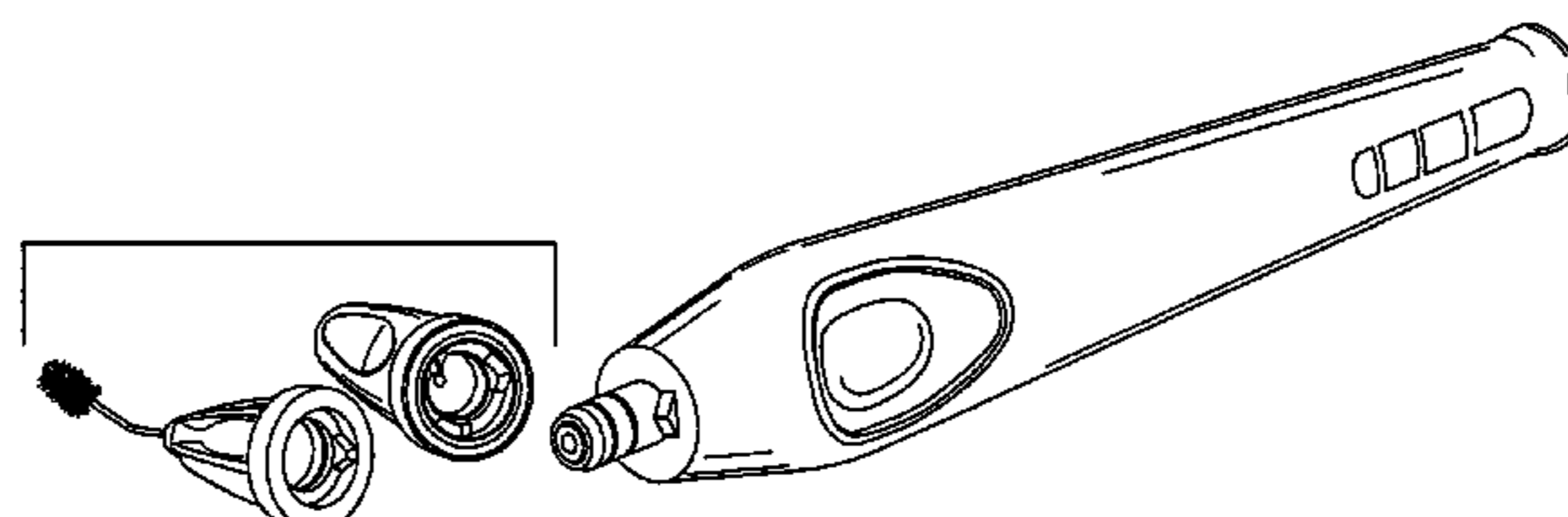
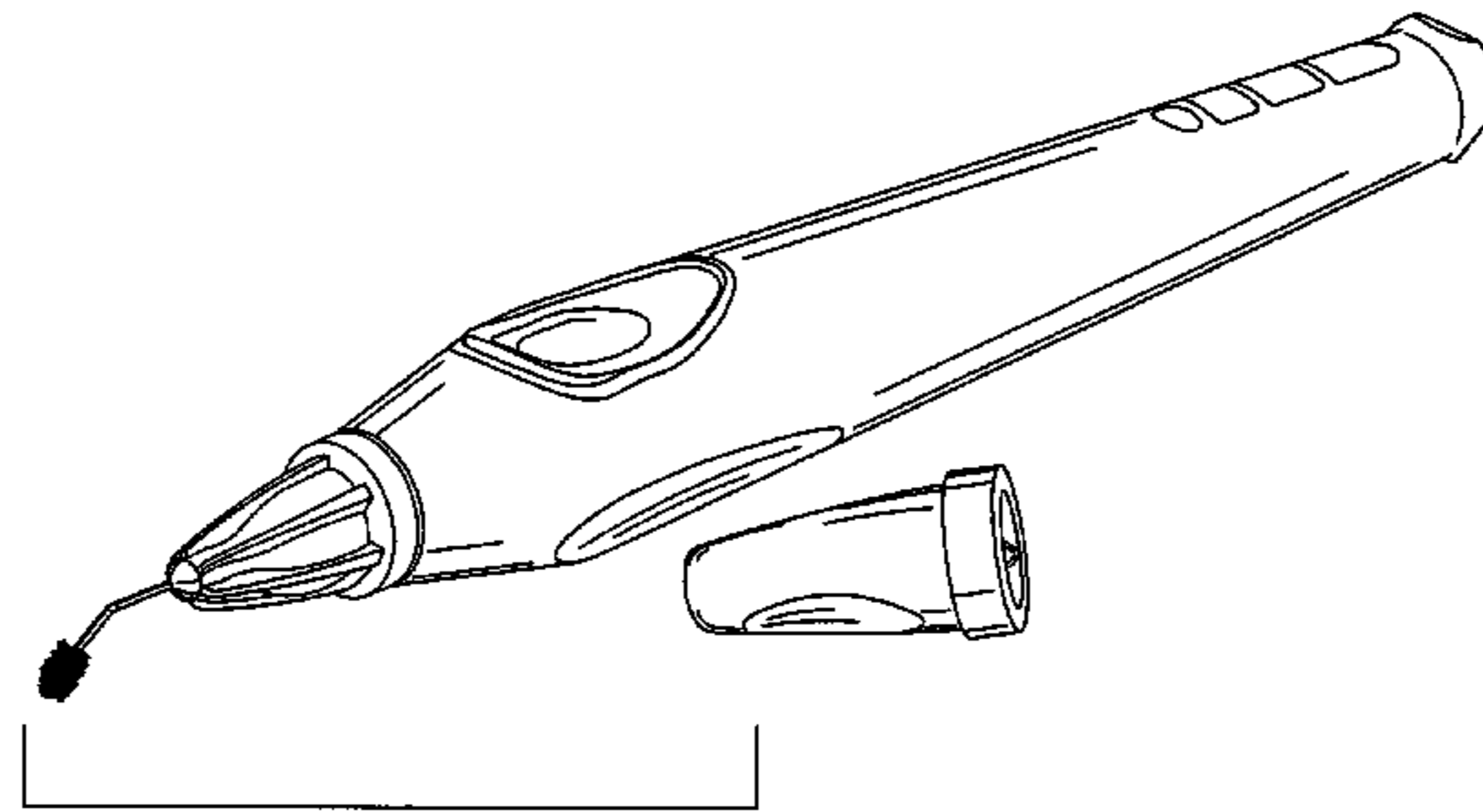
FIG. 20 is another perspective view thereof;

FIG. 21 is a bottom view thereof; and,

FIG. 22 is a top view thereof.

The broken lines immediately adjacent to the claimed areas in FIG. 5 represent the boundaries of the design. None of the broken lines form any part of the claimed design.

1 Claim, 15 Drawing Sheets



US D639,946 S

Page 2

U.S. PATENT DOCUMENTS

D504,948	S *	5/2005	Dragan et al.	D24/152	2006/0204924	A1 *	9/2006	Galehr et al.	433/90
7,083,350	B2 *	8/2006	Muller	401/126	2009/0060624	A1 *	3/2009	Schenck et al.	401/171
7,448,867	B2 *	11/2008	Aloise et al.	433/81	2010/0003633	A1 *	1/2010	Senn et al.	433/29
D594,985	S *	6/2009	Jansheski et al.	D24/152	2010/0040995	A1 *	2/2010	Muller et al.	433/141
D599,018	S *	8/2009	Plank et al.	D24/152					

* cited by examiner

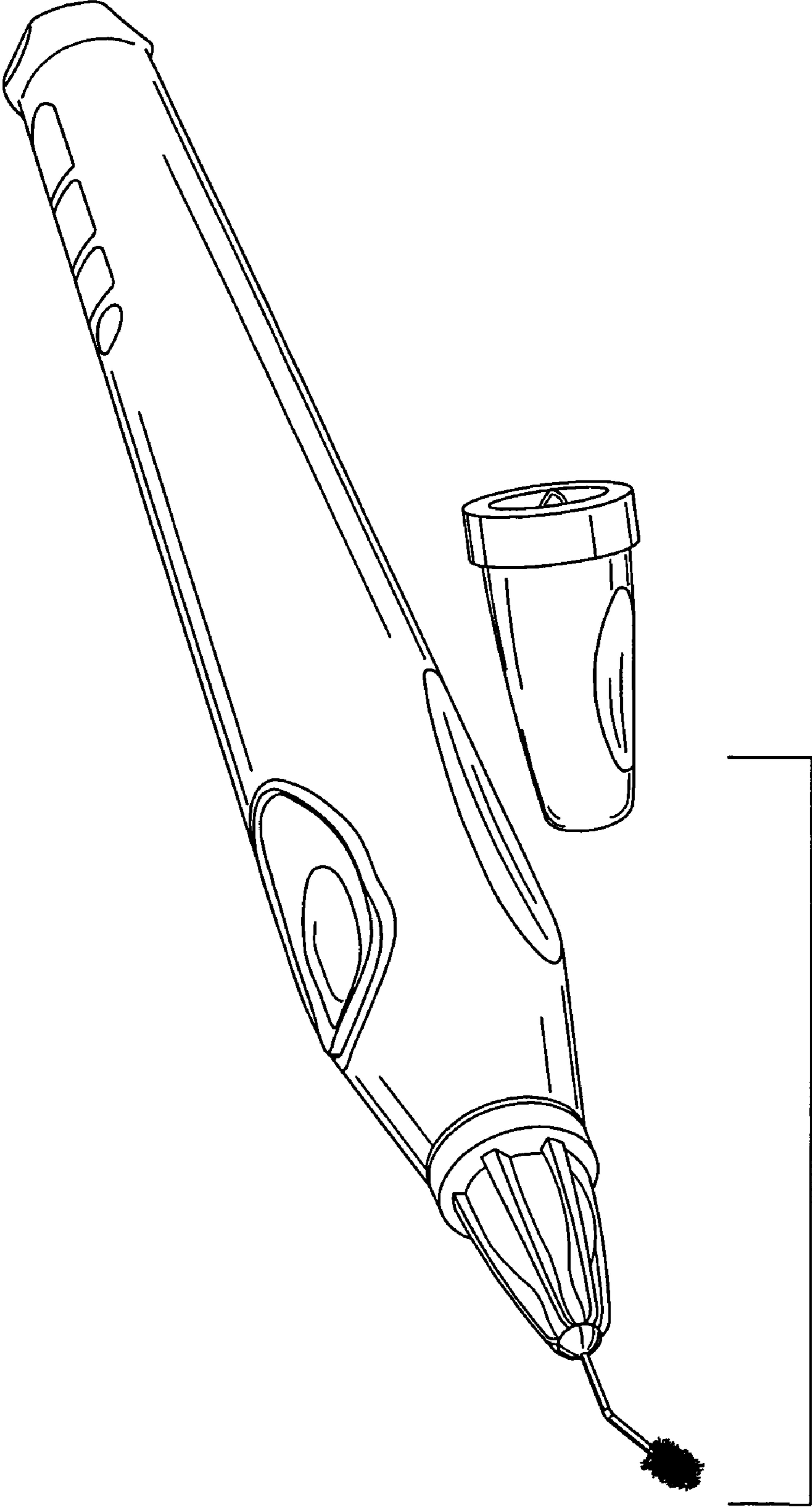


Fig. 1

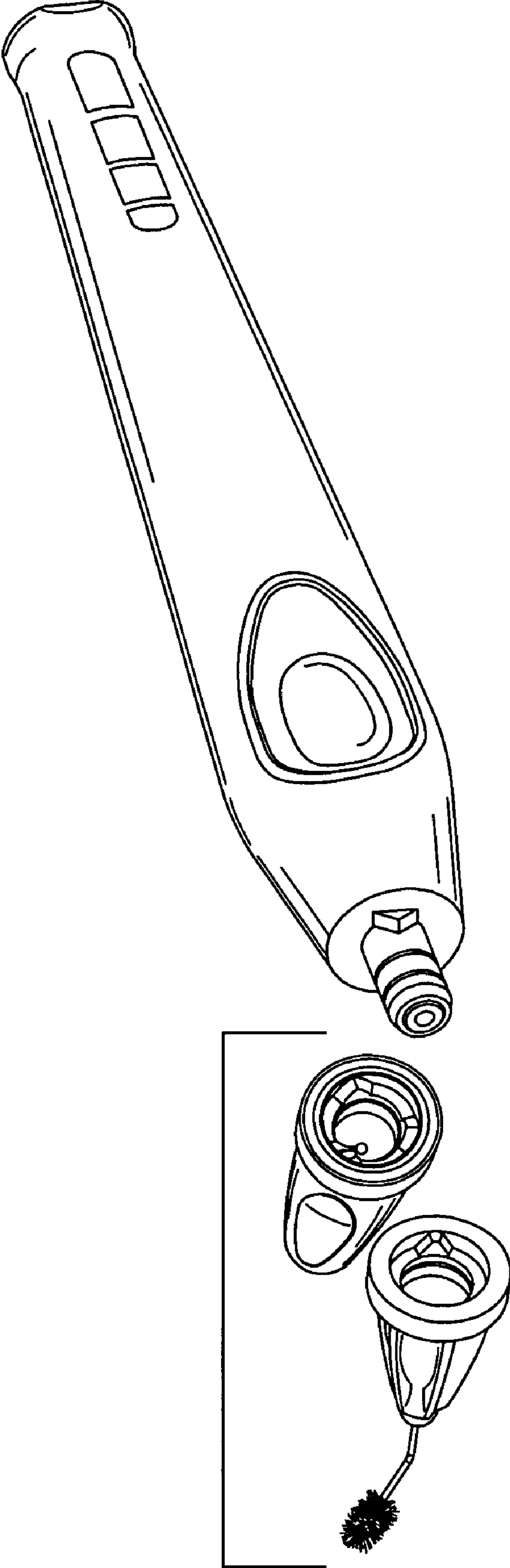


Fig. 2

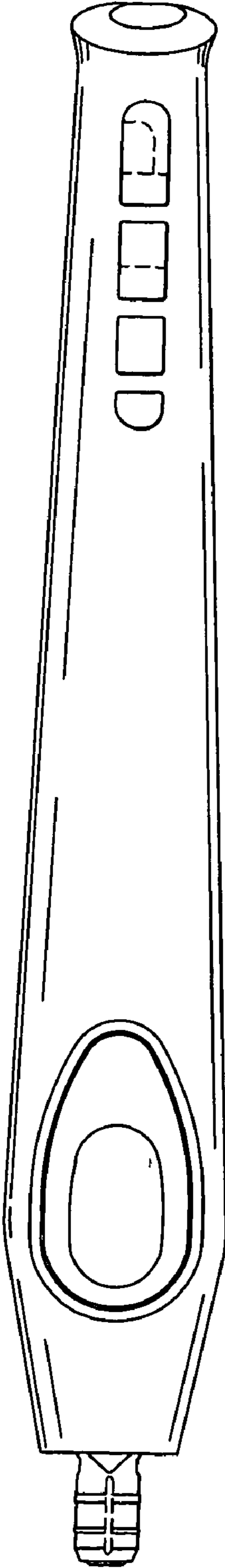


Fig. 3

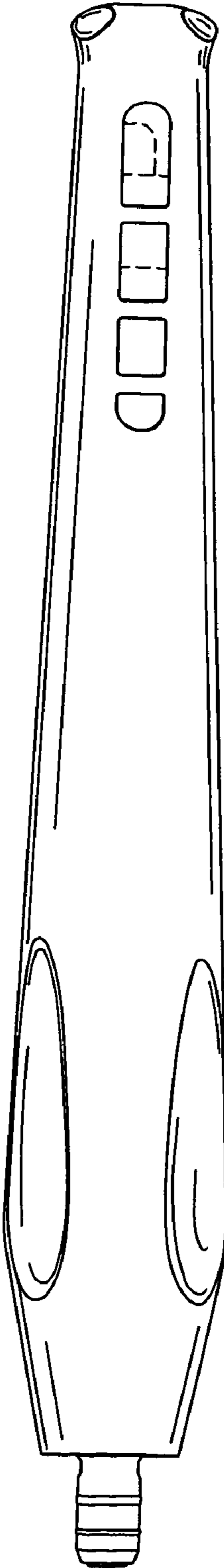


Fig. 4

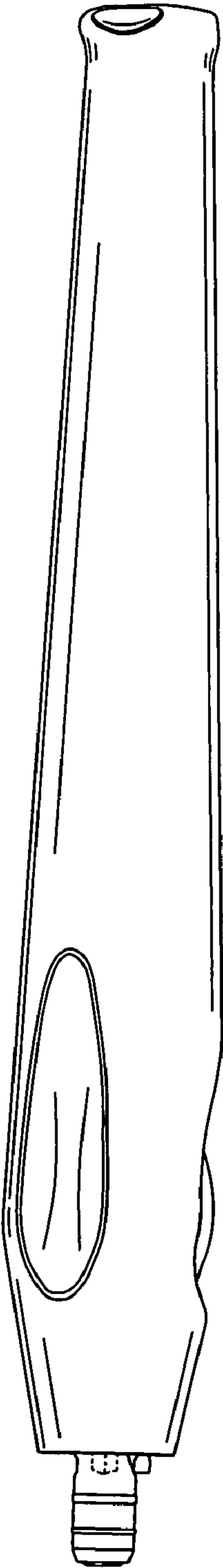


Fig. 5

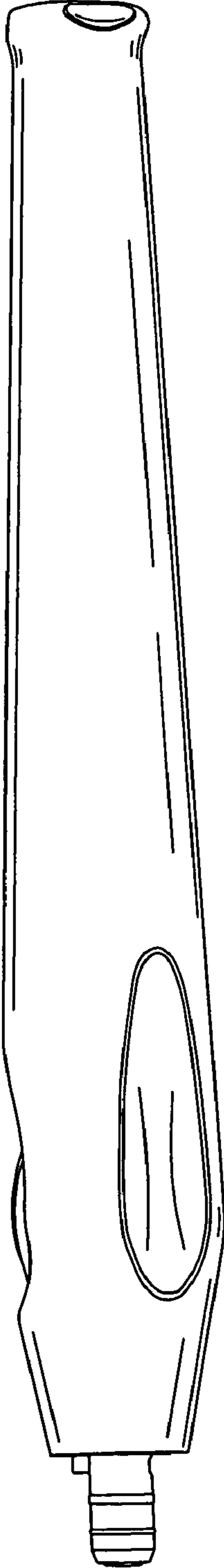


Fig. 6

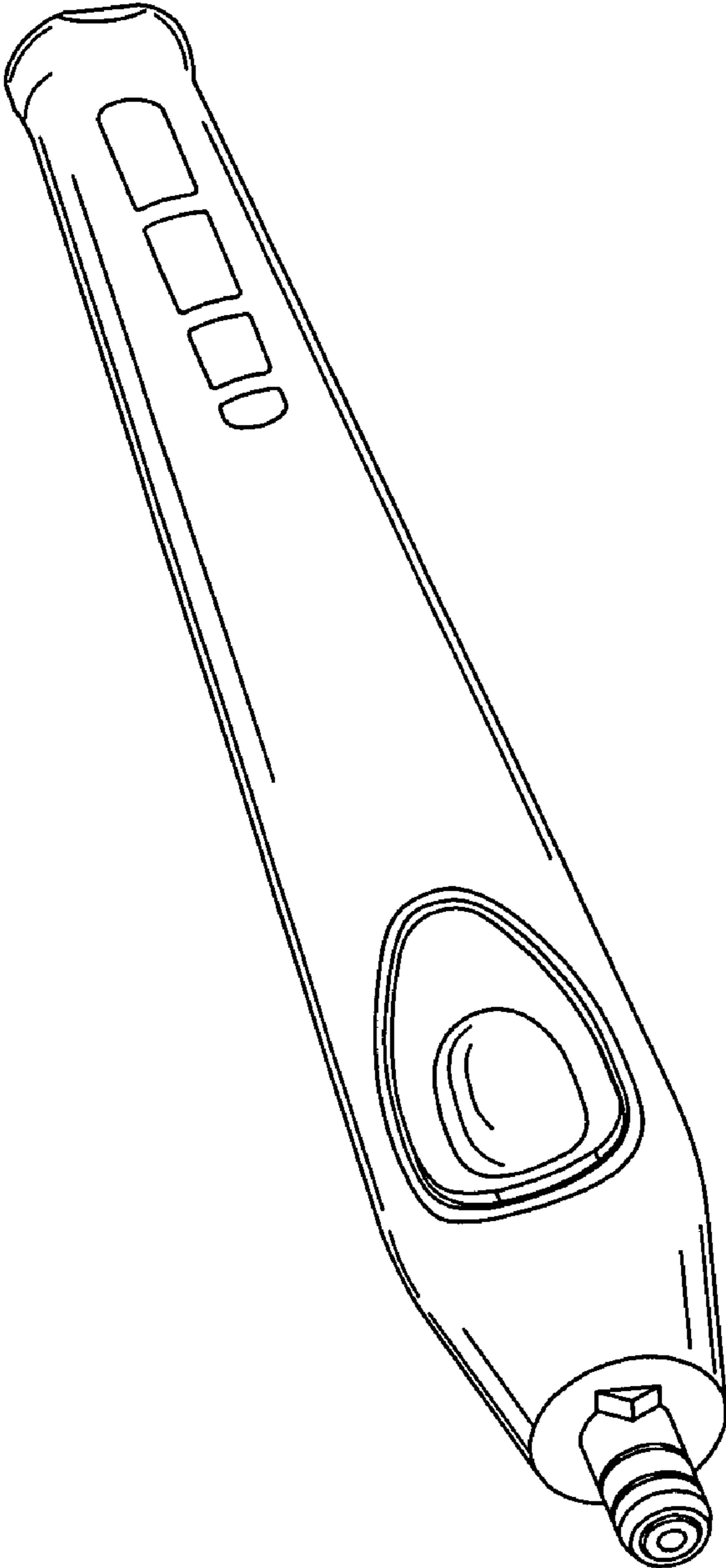


Fig. 7

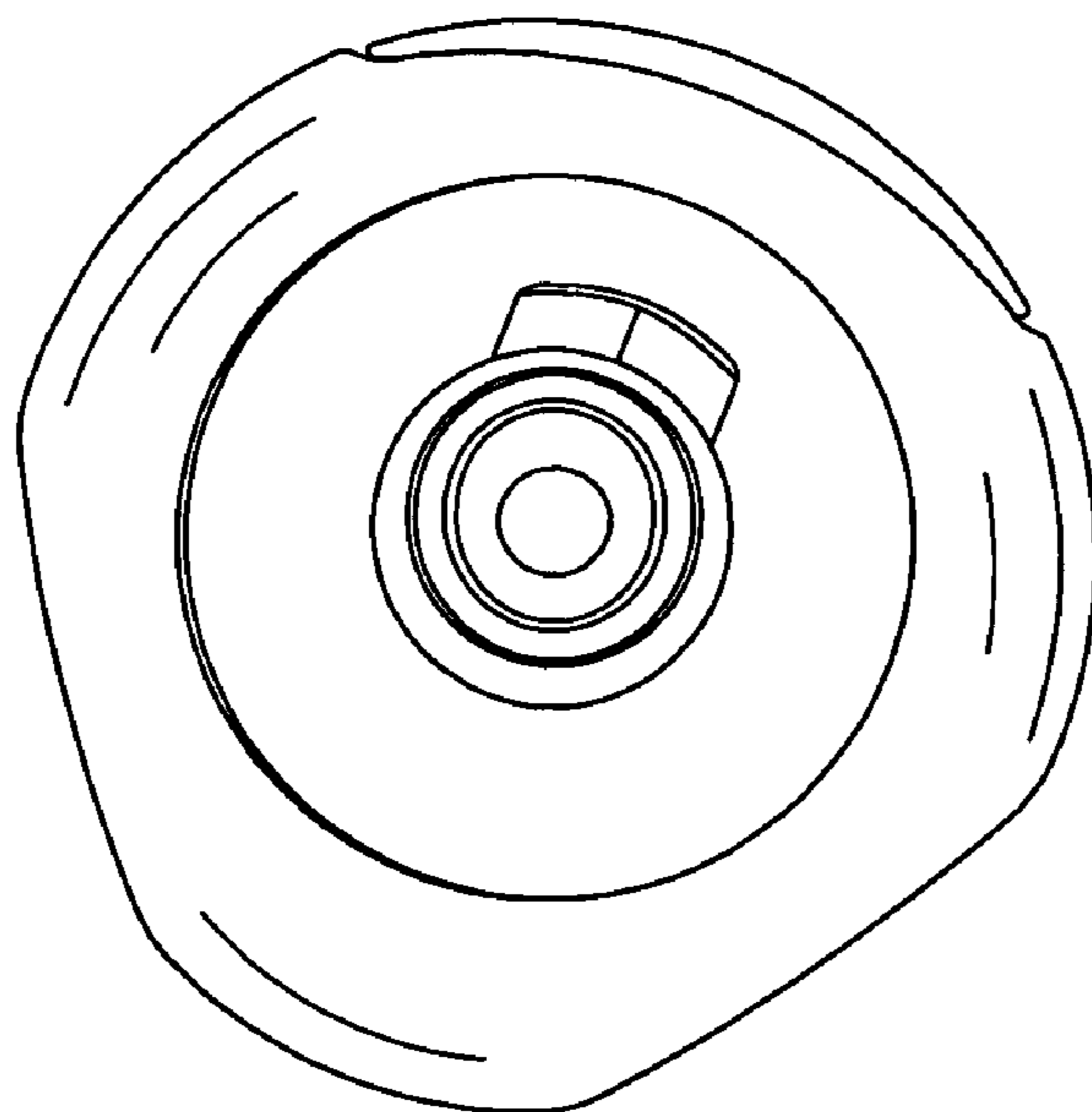


Fig. 8

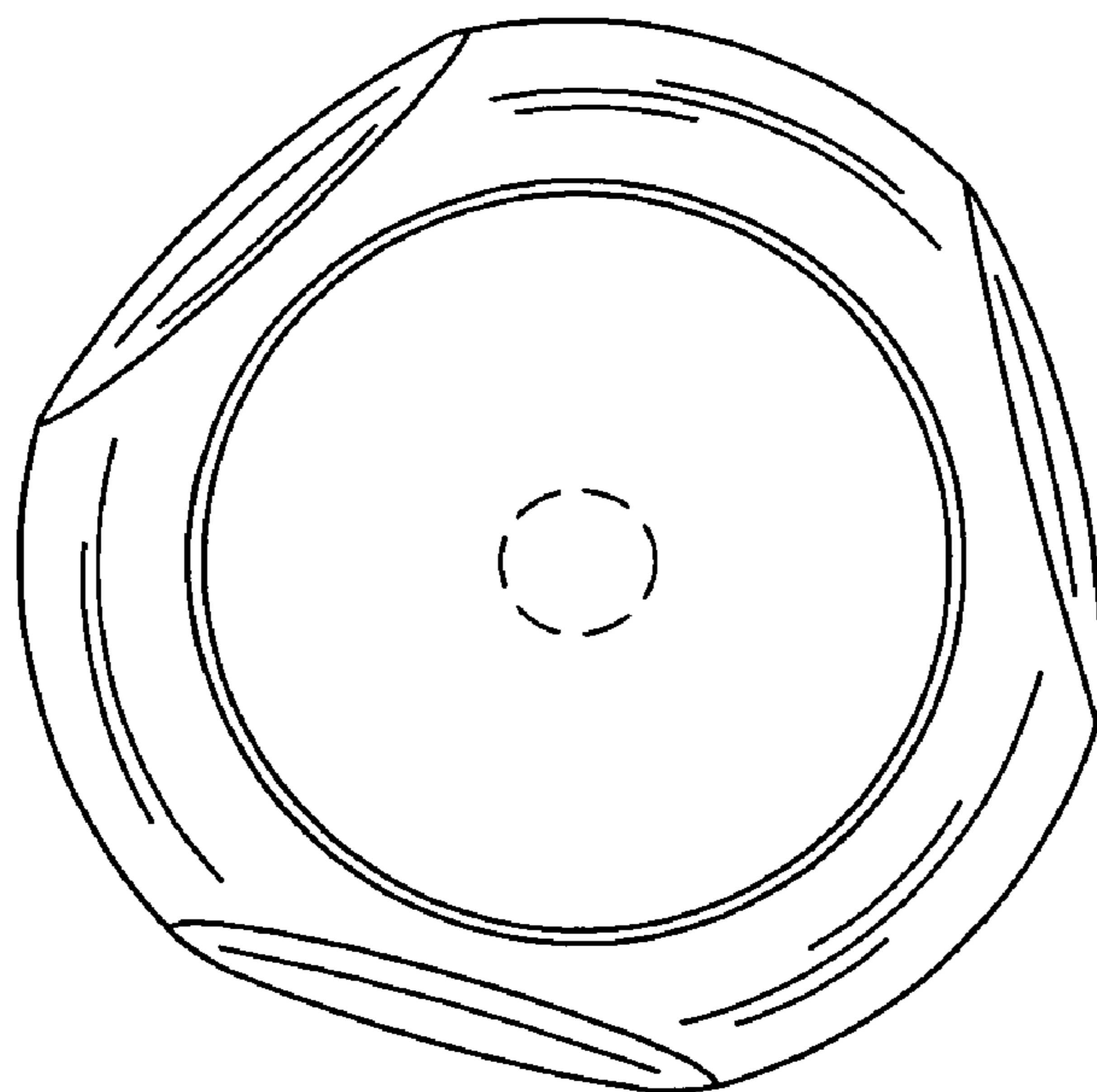


Fig. 9

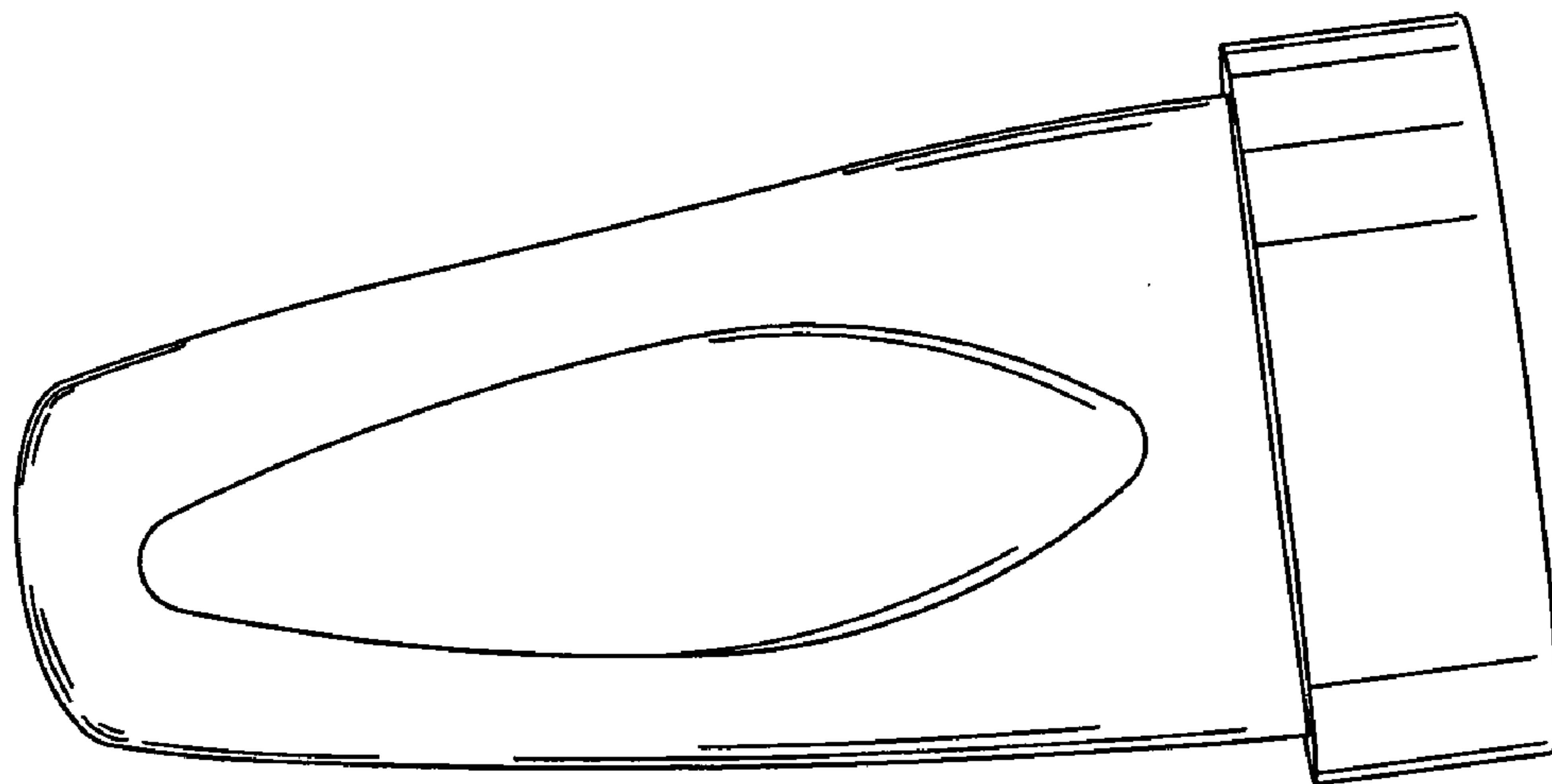


Fig. 10

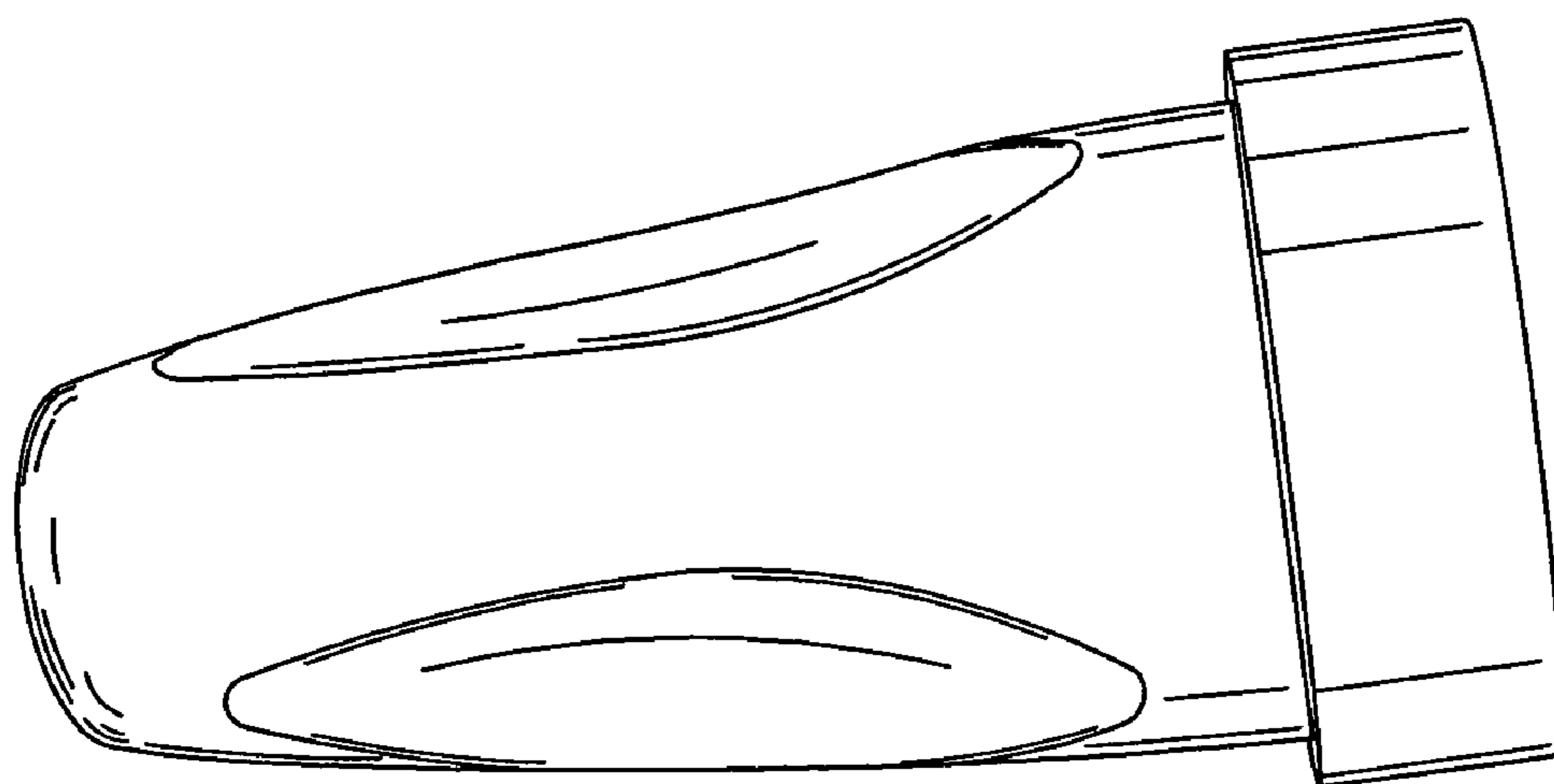


Fig. 11

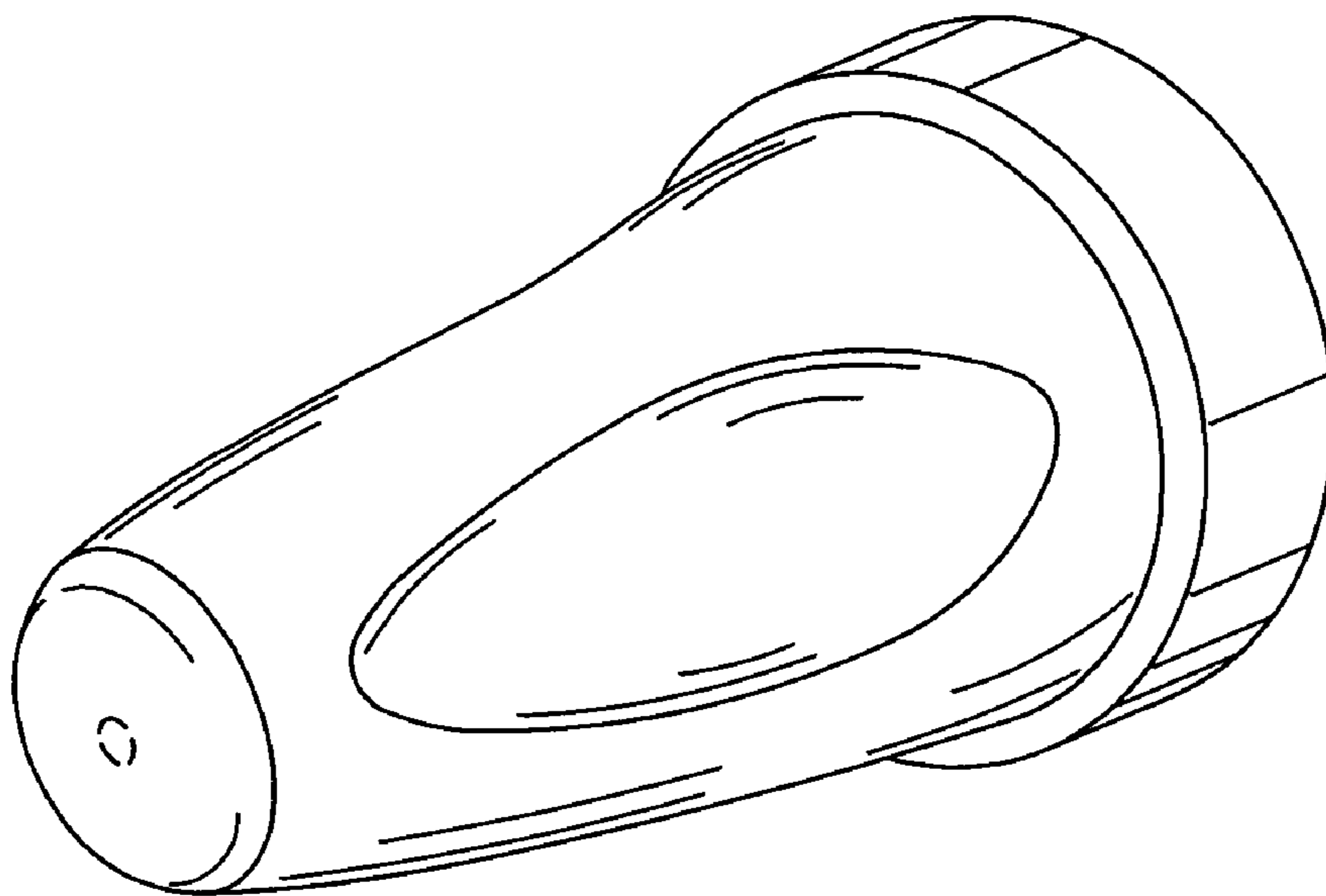


Fig. 12

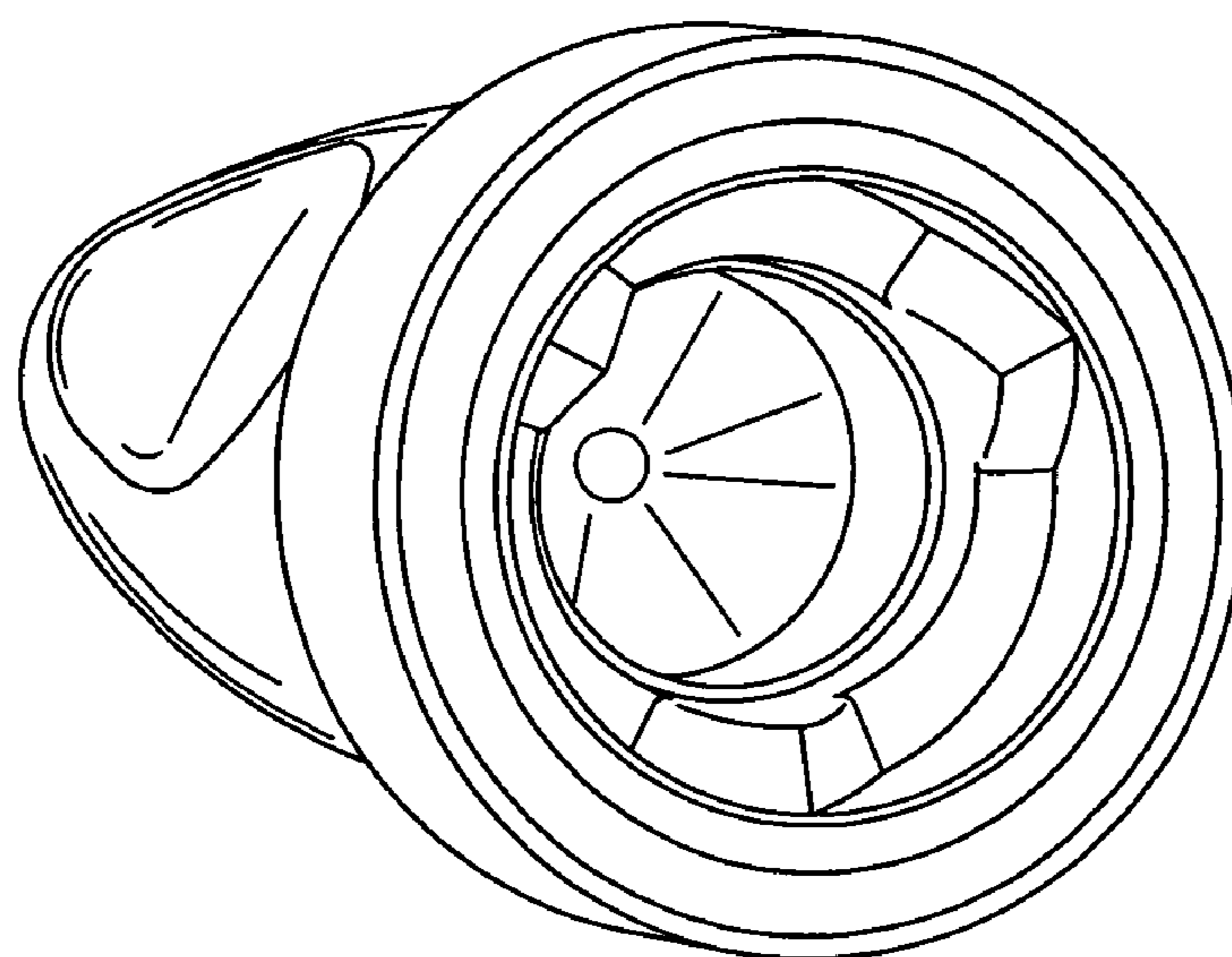


Fig. 13

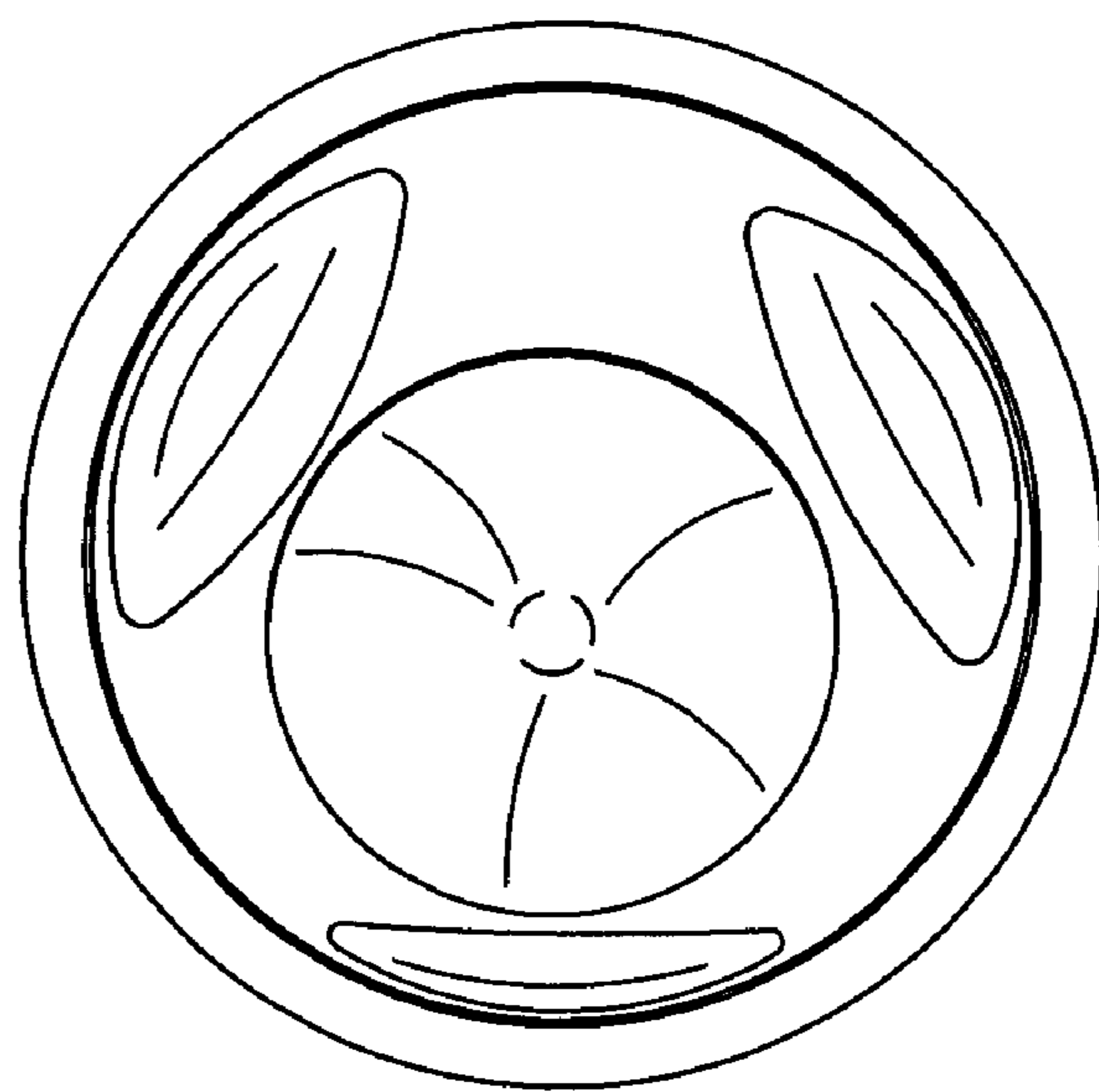


Fig. 14

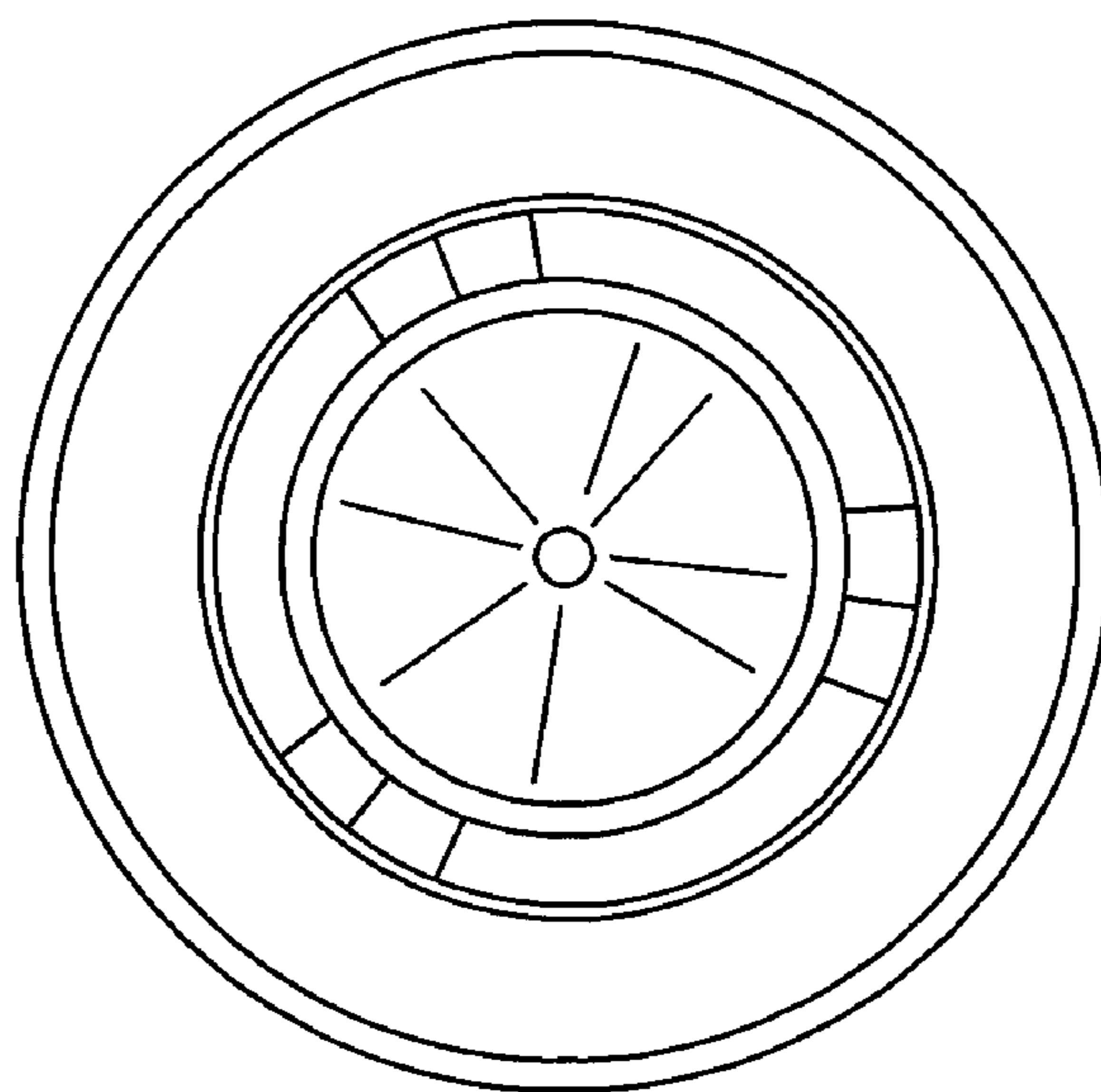


Fig. 15

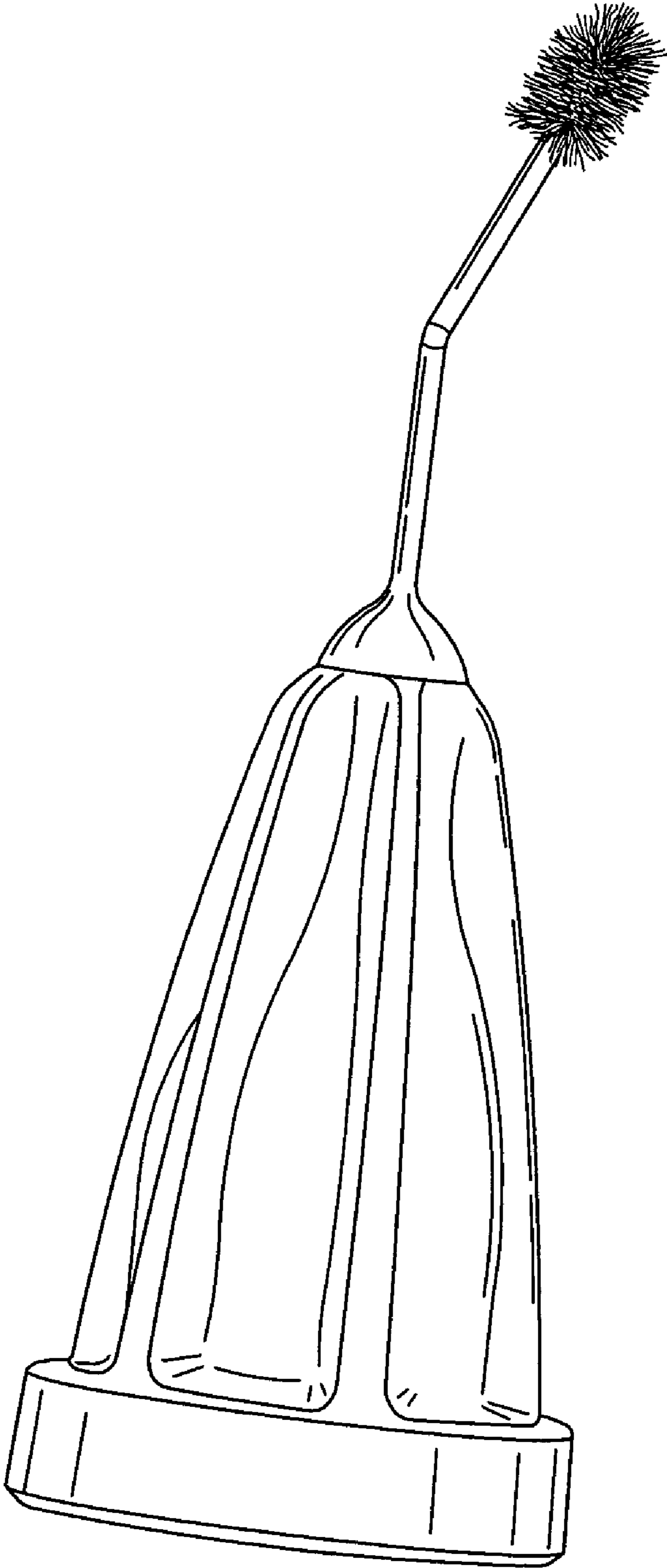


Fig. 16

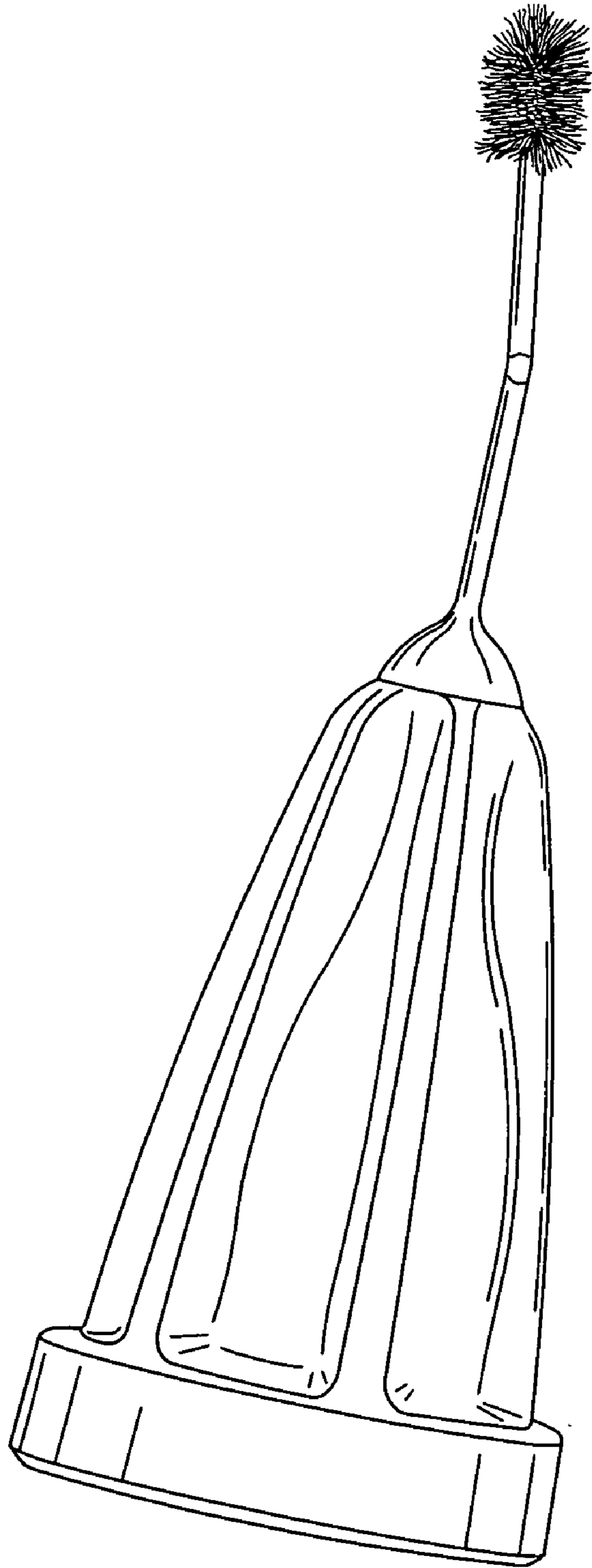


Fig. 17

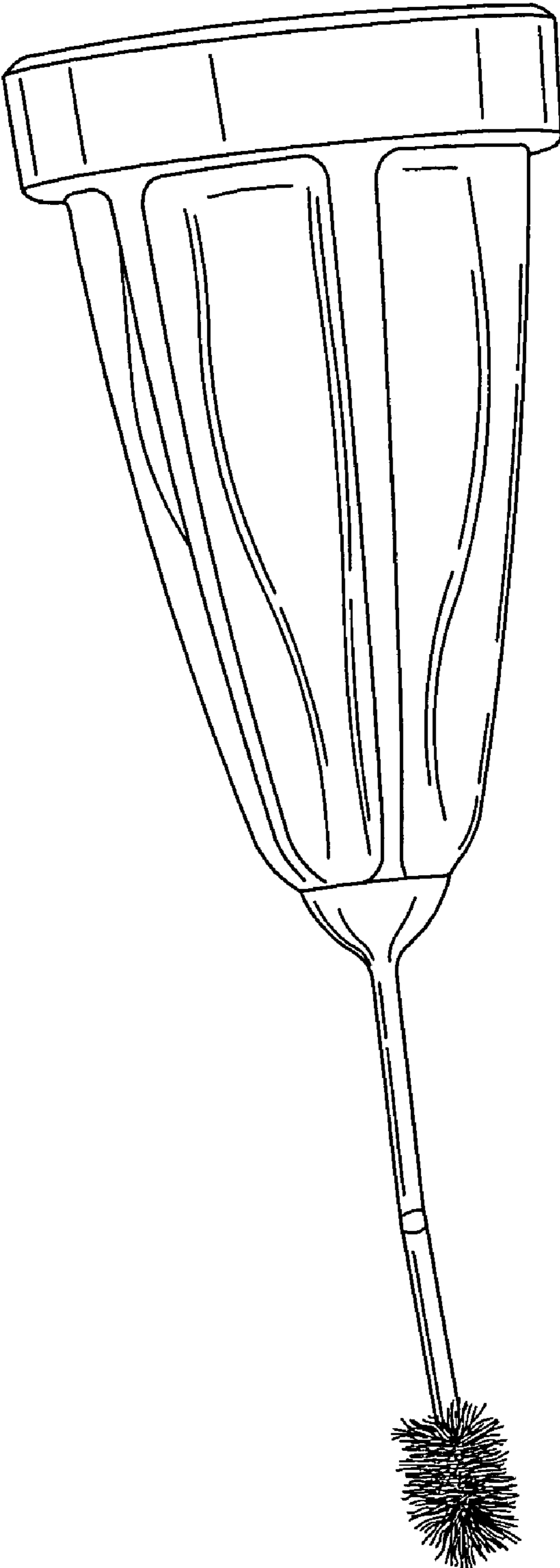


Fig. 18

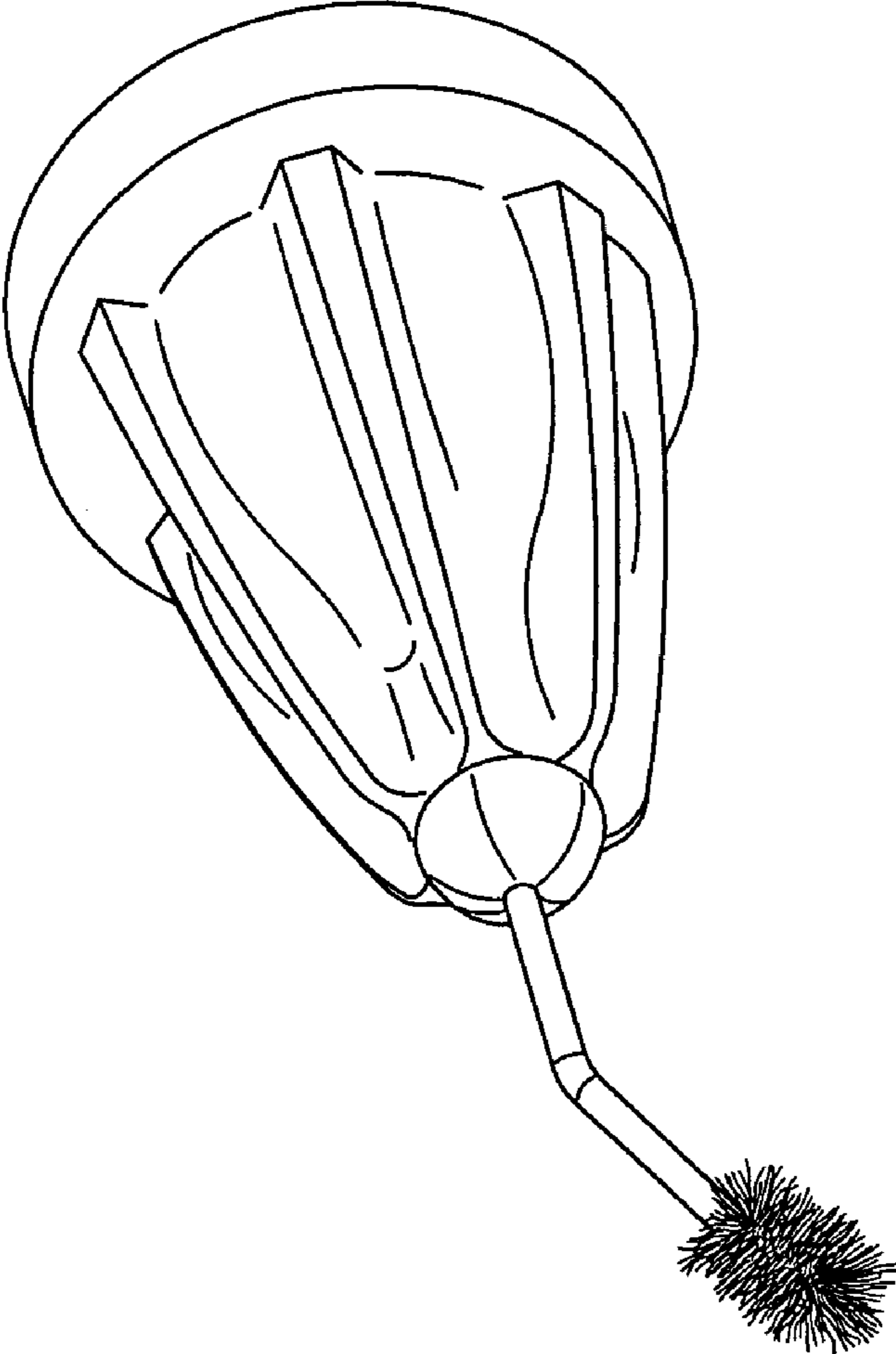


Fig. 19

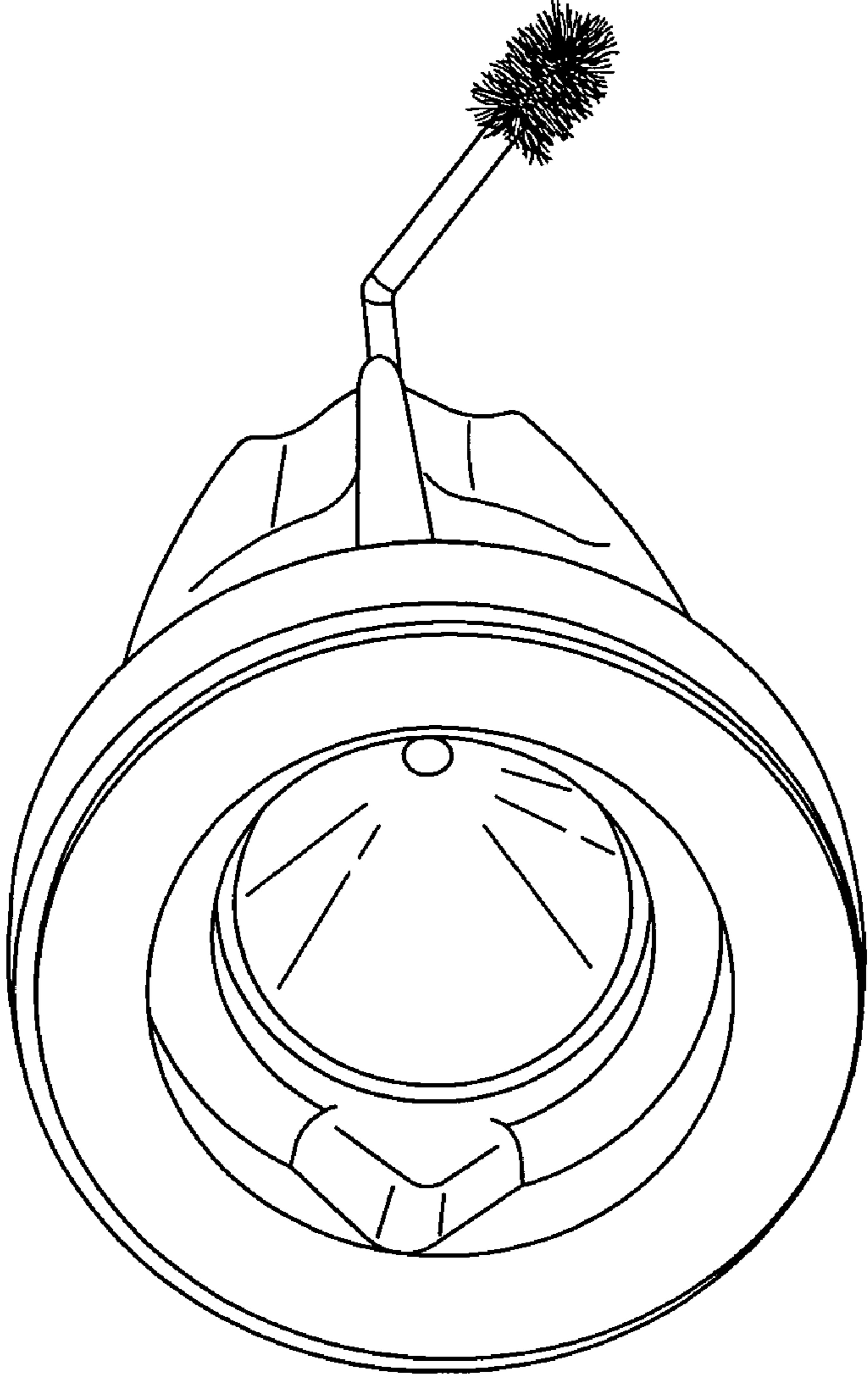


Fig. 20

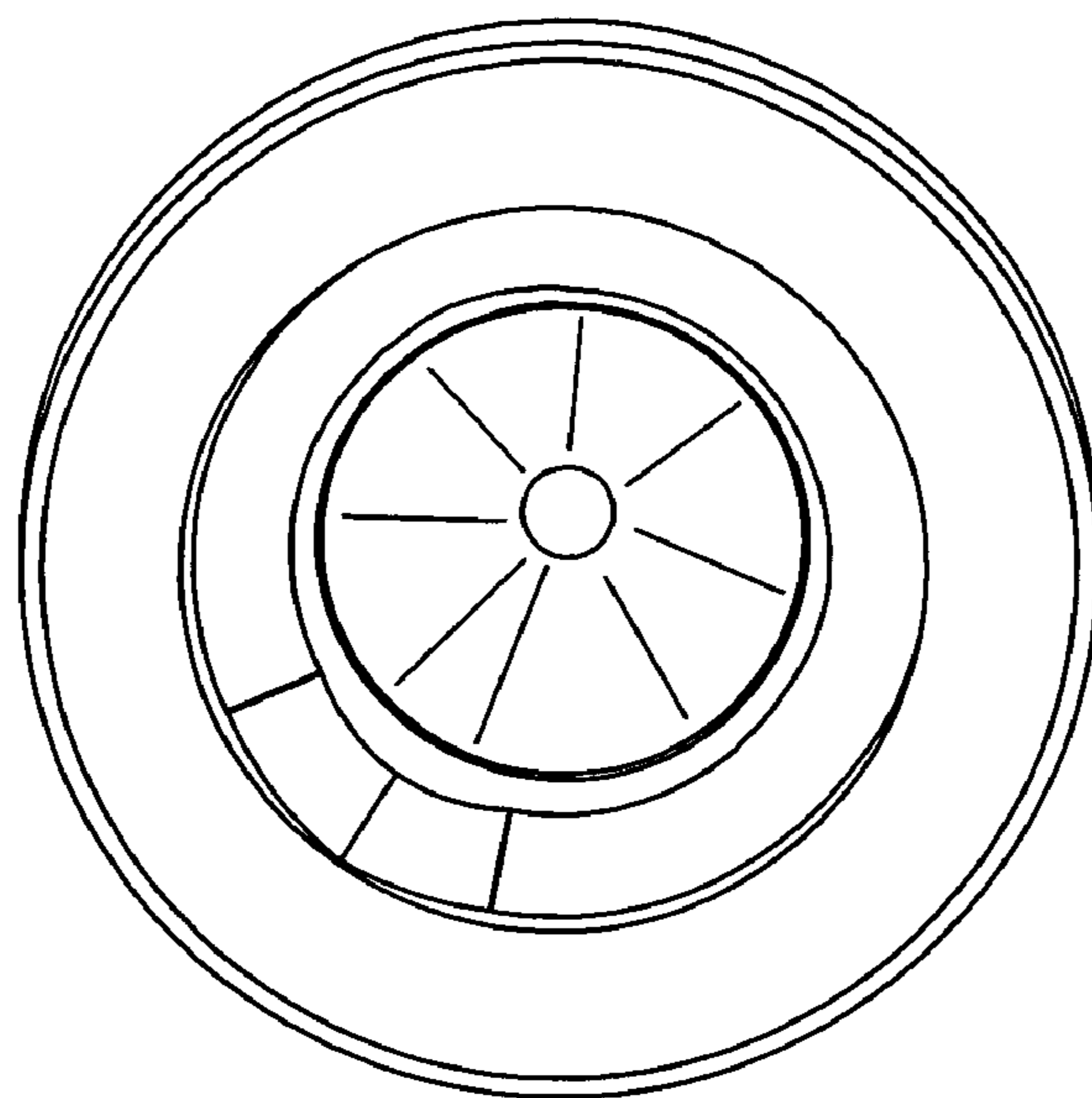


Fig. 21

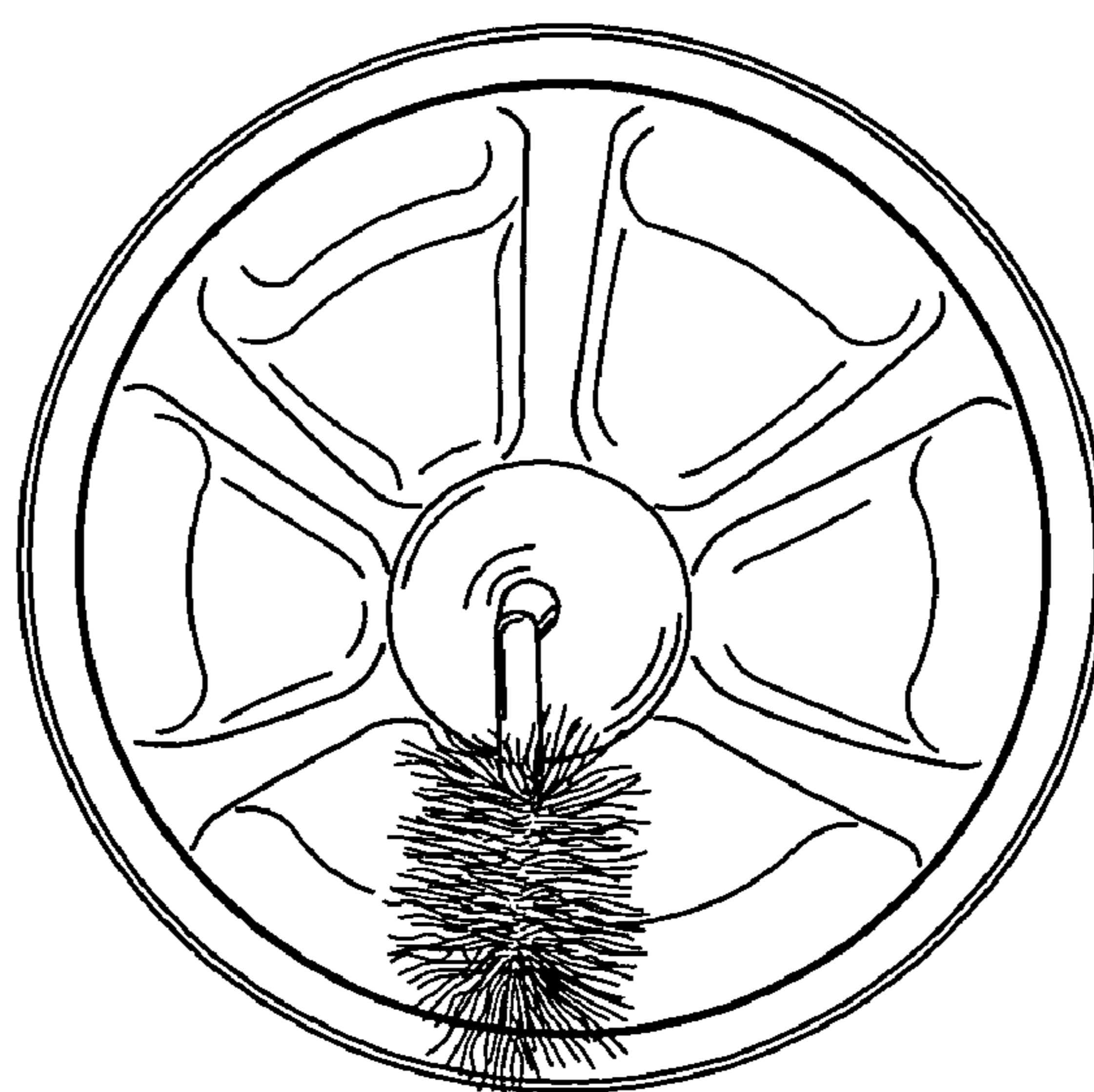


Fig. 22