



US00D639944S

(12) **United States Design Patent**
Schneider

(10) **Patent No.:** **US D639,944 S**

(45) **Date of Patent:** **** Jun. 14, 2011**

(54) **NEEDLE HOLDER**

(75) Inventor: **Sven Schneider**, Tuttlingen (DE)

(73) Assignee: **Karl Storz GmbH & Co. KG** (DE)

(**) Term: **14 Years**

(21) Appl. No.: **29/364,319**

(22) Filed: **Jun. 22, 2010**

(30) **Foreign Application Priority Data**

Dec. 22, 2009 (EM) 001651142-0012

Dec. 22, 2009 (EM) 001651142-0013

(51) **LOC (9) Cl.** **24-02**

(52) **U.S. Cl.** **D24/143; D24/145; D24/153**

(58) **Field of Classification Search** D24/133,
D24/143-148, 153; 606/45, 205-206, 208,
606/167, 170, 210, 213, 215, 207, 147-148
See application file for complete search history.

(56) **References Cited**

U.S. PATENT DOCUMENTS

D346,862 S *	5/1994	Koros et al.	D24/143
5,354,313 A *	10/1994	Boebel	606/208
5,417,701 A *	5/1995	Holmes	606/147
5,439,471 A *	8/1995	Kerr	606/205
6,063,096 A *	5/2000	Boebel et al.	606/148
RE36,795 E *	7/2000	Rydell	606/45
6,976,992 B2 *	12/2005	Sachatello et al.	606/205
2008/0172085 A1 *	7/2008	Chiu et al.	606/205

2008/0188891 A1 *	8/2008	Frank et al.	606/208
2009/0209991 A1 *	8/2009	Hinchliffe et al.	606/170
2010/0087818 A1 *	4/2010	Cunningham	606/207

* cited by examiner

Primary Examiner — Ian Simmons

Assistant Examiner — Wan Laymon

(74) *Attorney, Agent, or Firm* — St. Onge Steward Johnston & Reens LLC

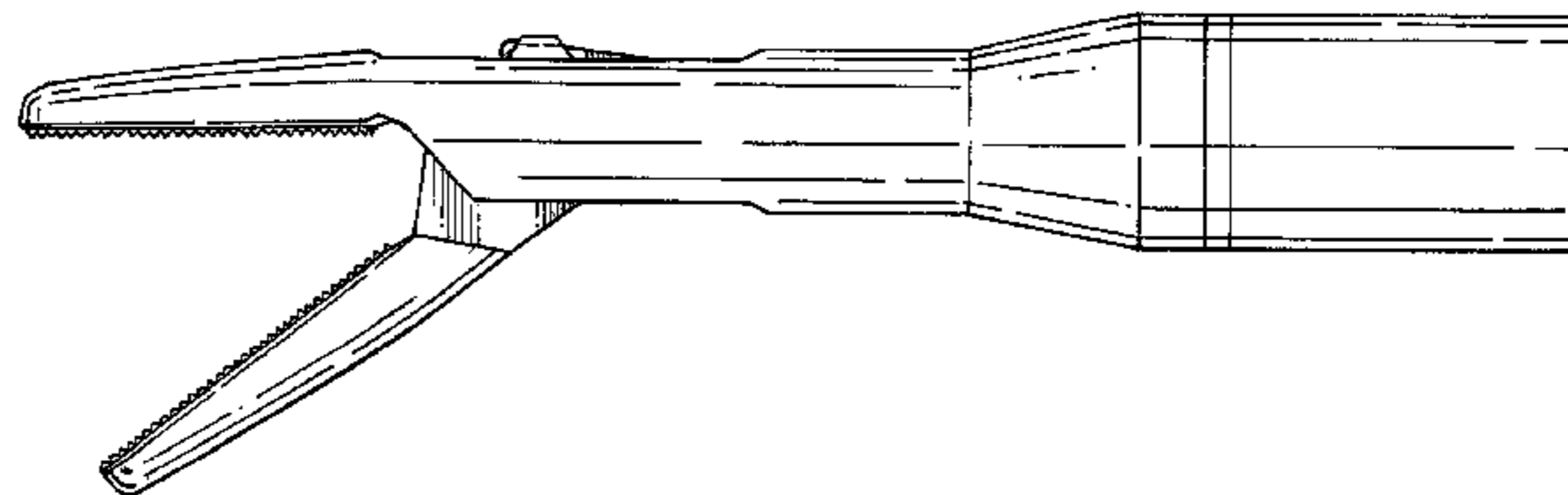
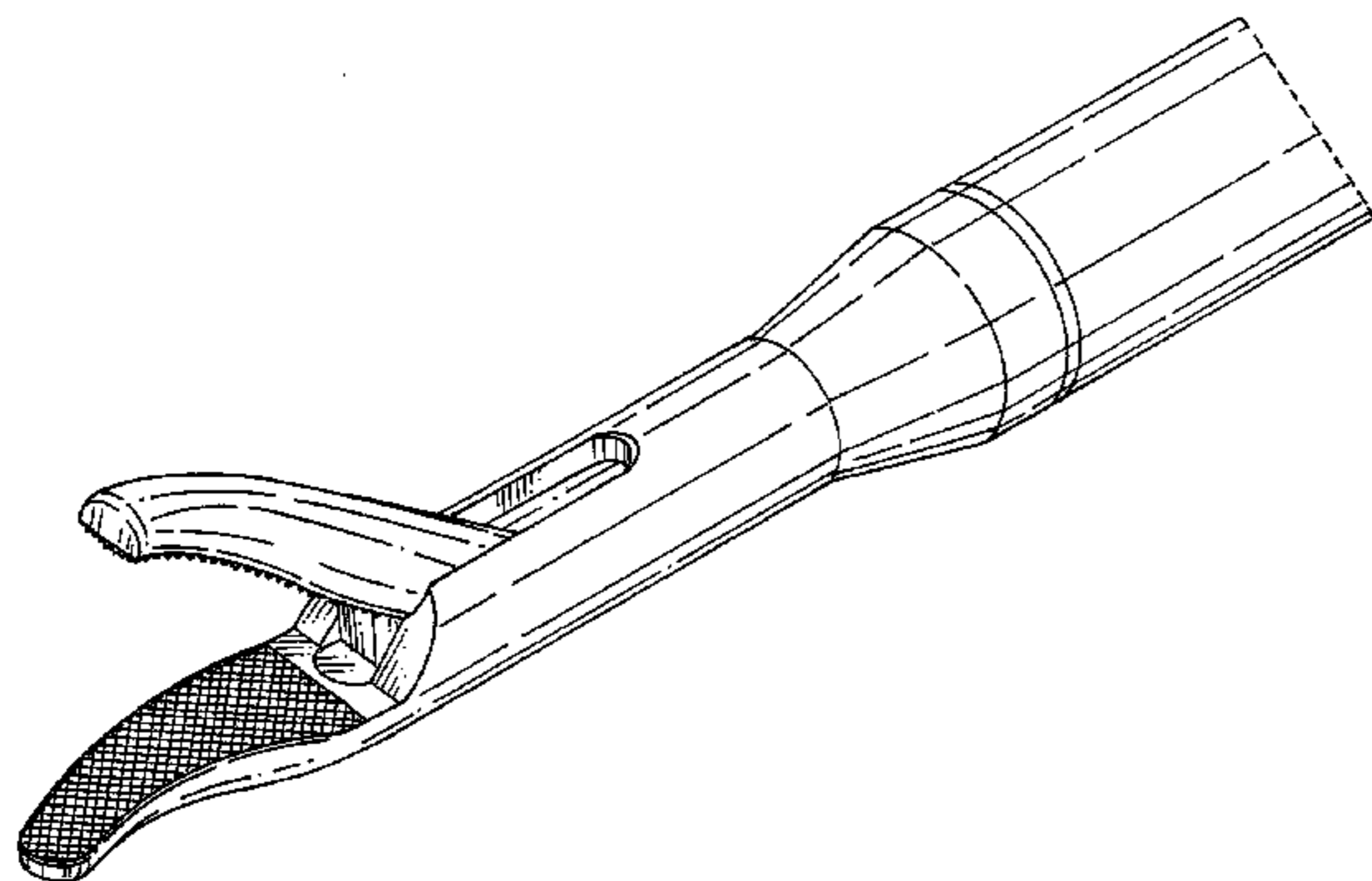
(57) **CLAIM**

The ornamental design for a needle holder, as shown and described.

DESCRIPTION

FIG. 1 is a left side perspective view of a needle holder in accordance with the new design;
 FIG. 2 is a top plan view thereof;
 FIG. 3 is bottom plan view thereof;
 FIG. 4 is a right side elevation thereof;
 FIG. 5 is a left side elevation view thereof;
 FIG. 6 is a top perspective view thereof;
 FIG. 7 is a left side perspective view thereof, showing the needle holder in an opened position;
 FIG. 8 a right side elevation view thereof, showing the needle holder in an opened position;
 FIG. 9 is bottom plan view thereof, showing the needle holder in an opened position; and,
 FIG. 10 is a top plan view thereof, showing the needle holder in an opened position.
 The broken line represents the boundary of the claim and forms no part of the claimed design.

1 Claim, 10 Drawing Sheets



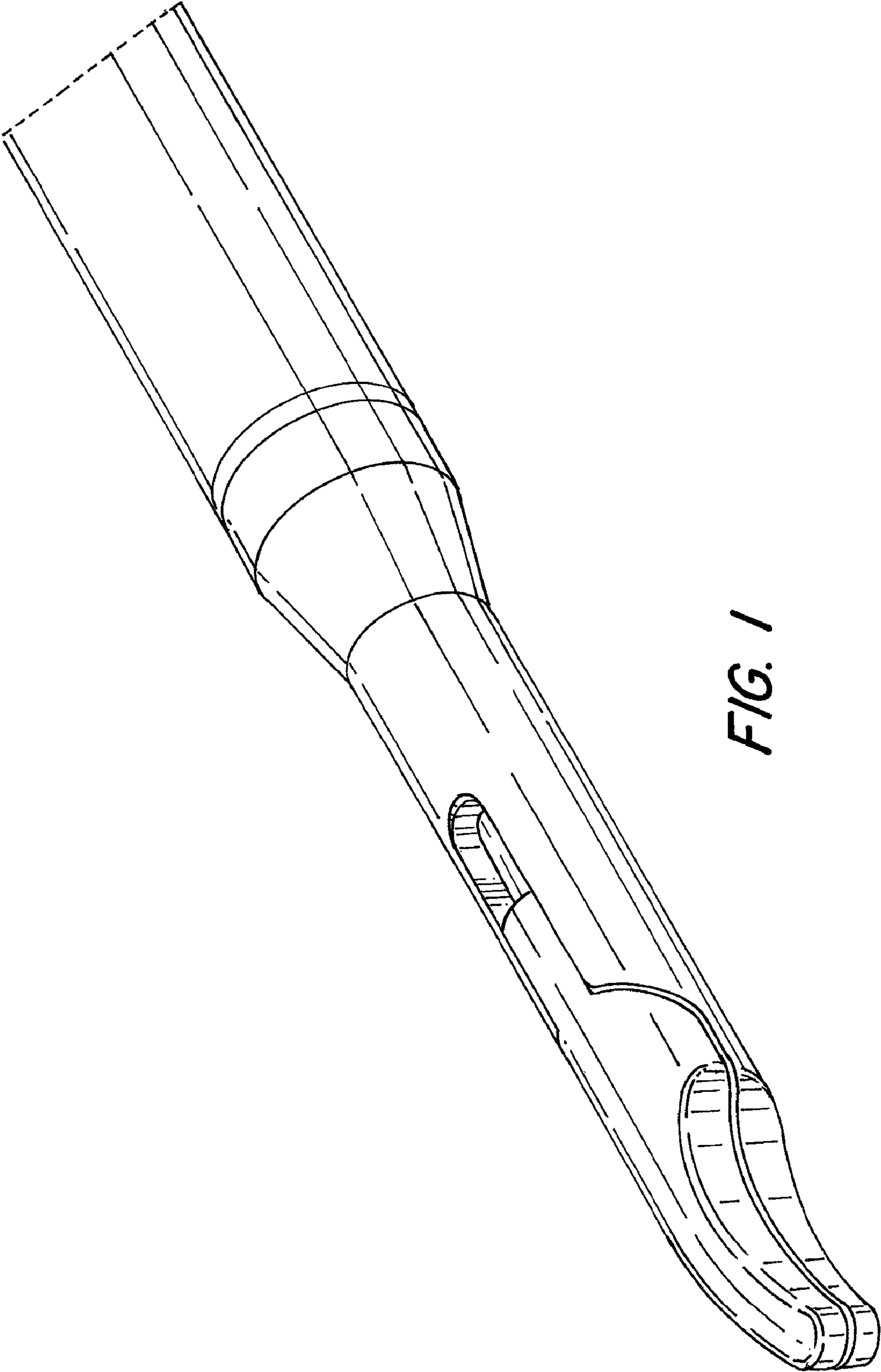


FIG. 1

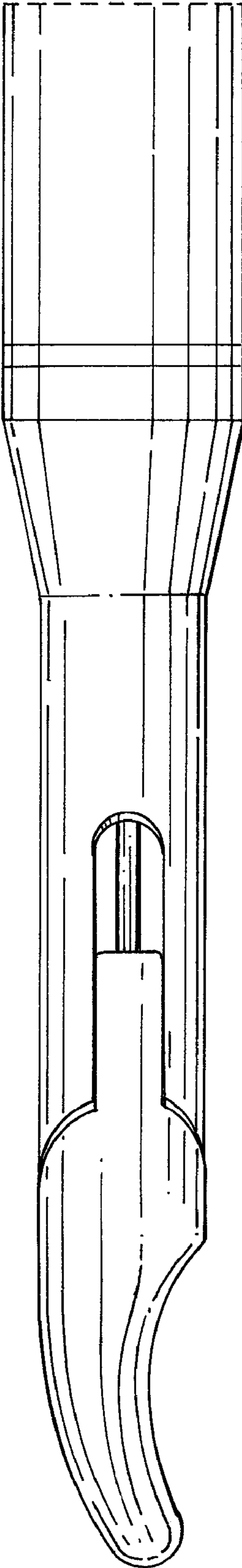


FIG. 2

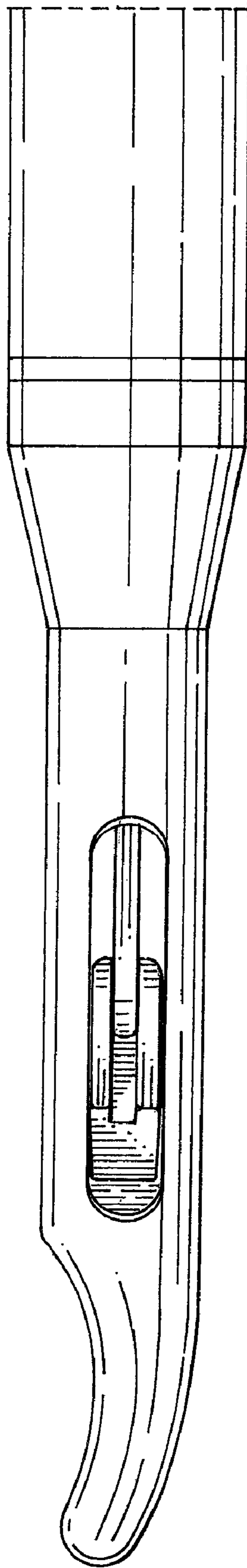


FIG. 3

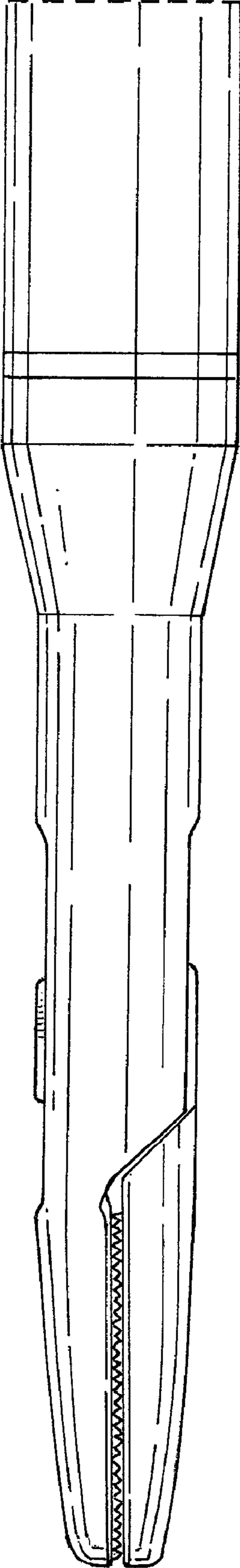


FIG. 4

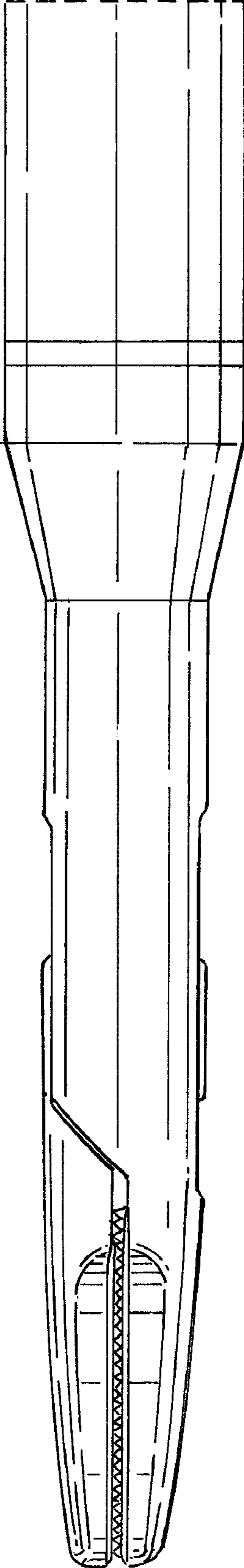


FIG. 5

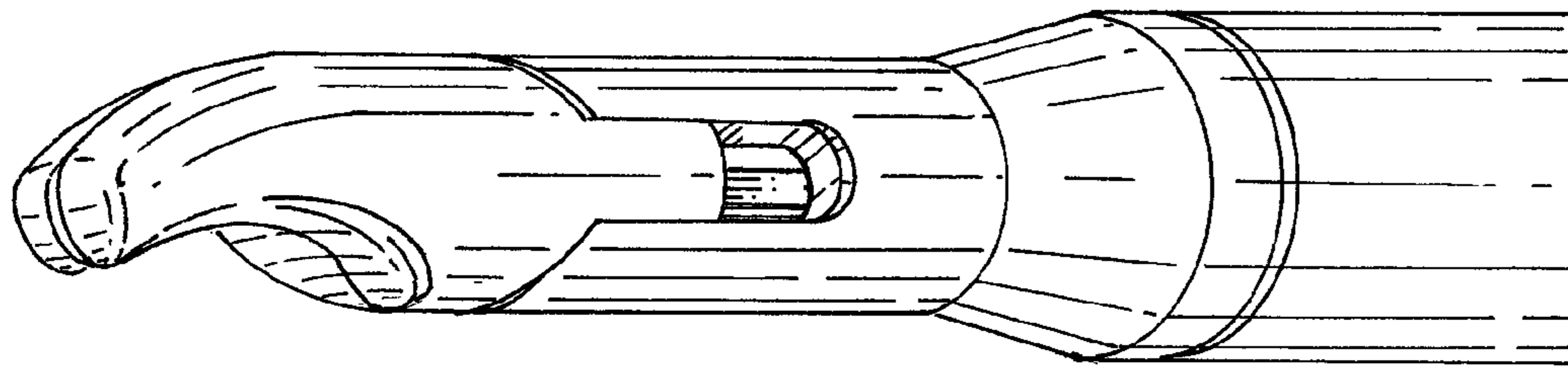


FIG. 6

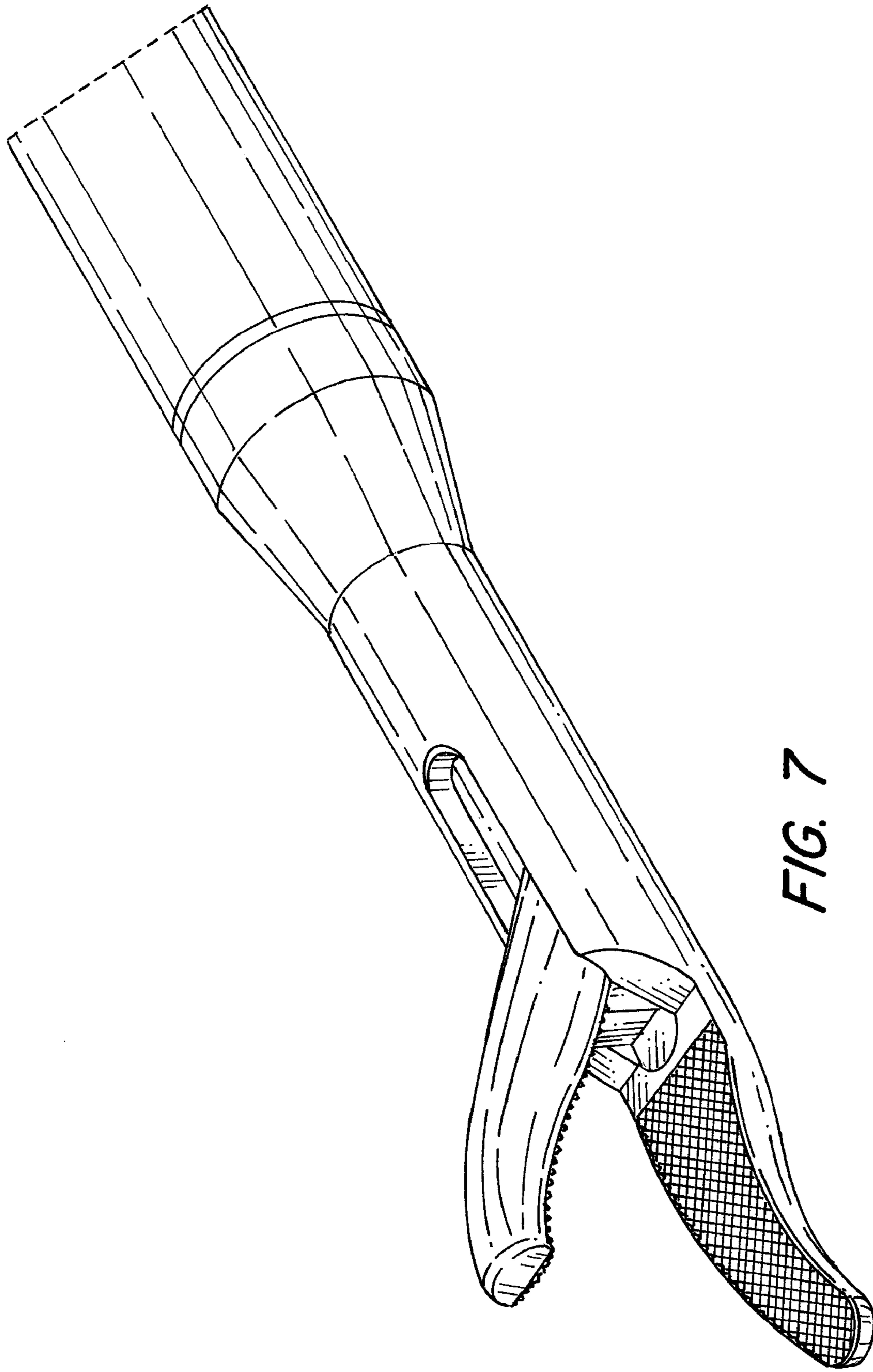


FIG. 7

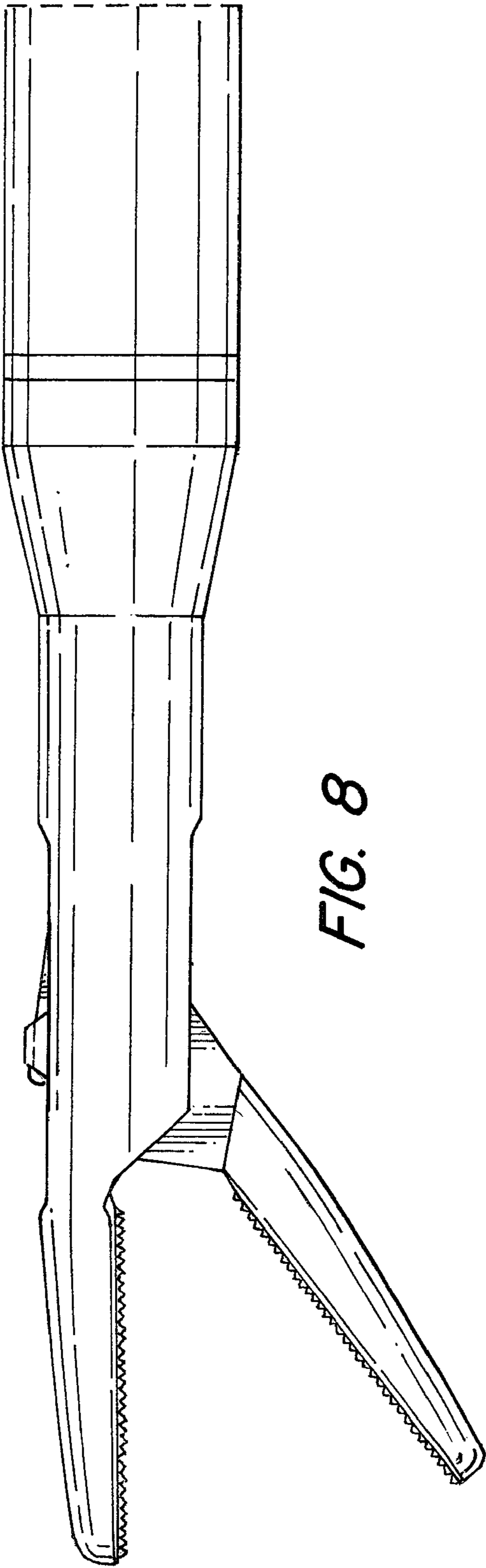


FIG. 8

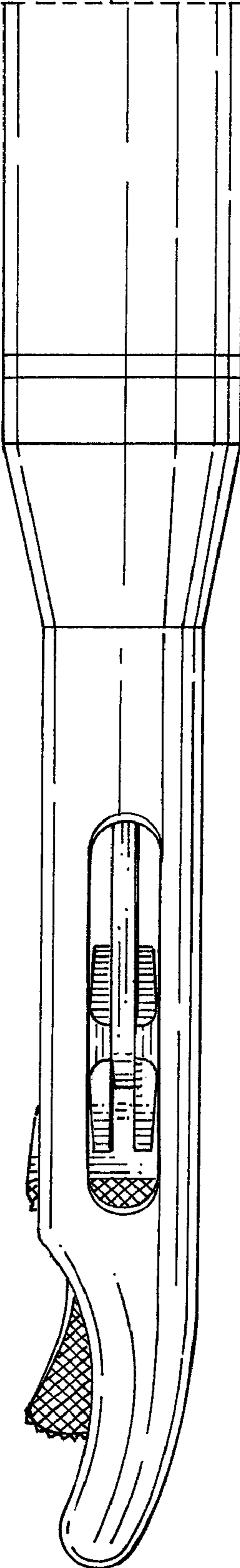


FIG. 9

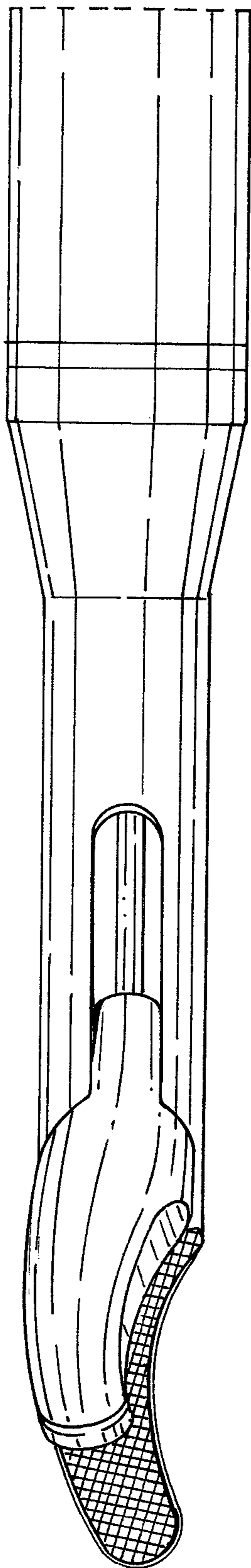


FIG. 10