

US00D639943S

(12) **United States Design Patent**  
**Bettocchi**

(10) **Patent No.:** **US D639,943 S**

(45) **Date of Patent:** **\*\* \*Jun. 14, 2011**

(54) **SHAFT FOR A MEDICAL INSTRUMENT**

5,685,824 A \* 11/1997 Takei ..... 600/135  
6,471,639 B2 \* 10/2002 Rudischhauser et al. .... 600/128  
6,971,989 B2 \* 12/2005 Yossepowitch ..... 600/105

(75) Inventor: **Stefano Bettocchi**, Bari (IT)

(73) Assignee: **Karl Storz GmbH & Co. KG** (DE)

(\*\*) Term: **14 Years**

(21) Appl. No.: **29/236,287**

(22) Filed: **Aug. 15, 2005**

(30) **Foreign Application Priority Data**

Feb. 15, 2005 (EM) ..... 000296546

(51) **LOC (9) Cl.** ..... **24-01**

(52) **U.S. Cl.** ..... **D24/137**

(58) **Field of Classification Search** ..... D24/129,  
D24/107, 133, 137, 138, 108; 600/101, 104,  
600/112-114, 120, 122, 123, 131, 132, 136,  
600/138, 153, 154, 156, 158, 162, 105, 128,  
600/135; 604/523; 285/316

See application file for complete search history.

(56) **References Cited**

**U.S. PATENT DOCUMENTS**

2,691,370 A \* 10/1954 Wallace ..... 600/104  
4,686,965 A \* 8/1987 Bonnet et al. .... 600/104  
4,951,977 A \* 8/1990 Shutt ..... 285/316  
4,959,058 A \* 9/1990 Michelson ..... 604/523  
4,973,321 A \* 11/1990 Michelson ..... 604/523  
5,031,603 A \* 7/1991 Gautier et al. .... 600/135  
D340,976 S \* 11/1993 Garcia ..... D24/110  
5,509,892 A \* 4/1996 Bonnet ..... 600/156  
5,674,179 A \* 10/1997 Bonnet et al. .... 600/105

**OTHER PUBLICATIONS**

Storz—The World of Endoscopy—Gynecology—4<sup>TH</sup> edition Jan. 2003, 6 pages.

\* cited by examiner

*Primary Examiner* — Ian Simmons

*Assistant Examiner* — Charles D Hanson

(74) *Attorney, Agent, or Firm* — St. Onge Steward Johnston & Reens LLC

(57) **CLAIM**

The ornamental design for “shaft for a medical instrument,” as shown described.

**DESCRIPTION**

FIG. 1 is a front elevational view of a shaft for a medical instrument in accordance with the new design;

FIG. 2 is a side elevational view of the shaft for a medical instrument of FIG. 1;

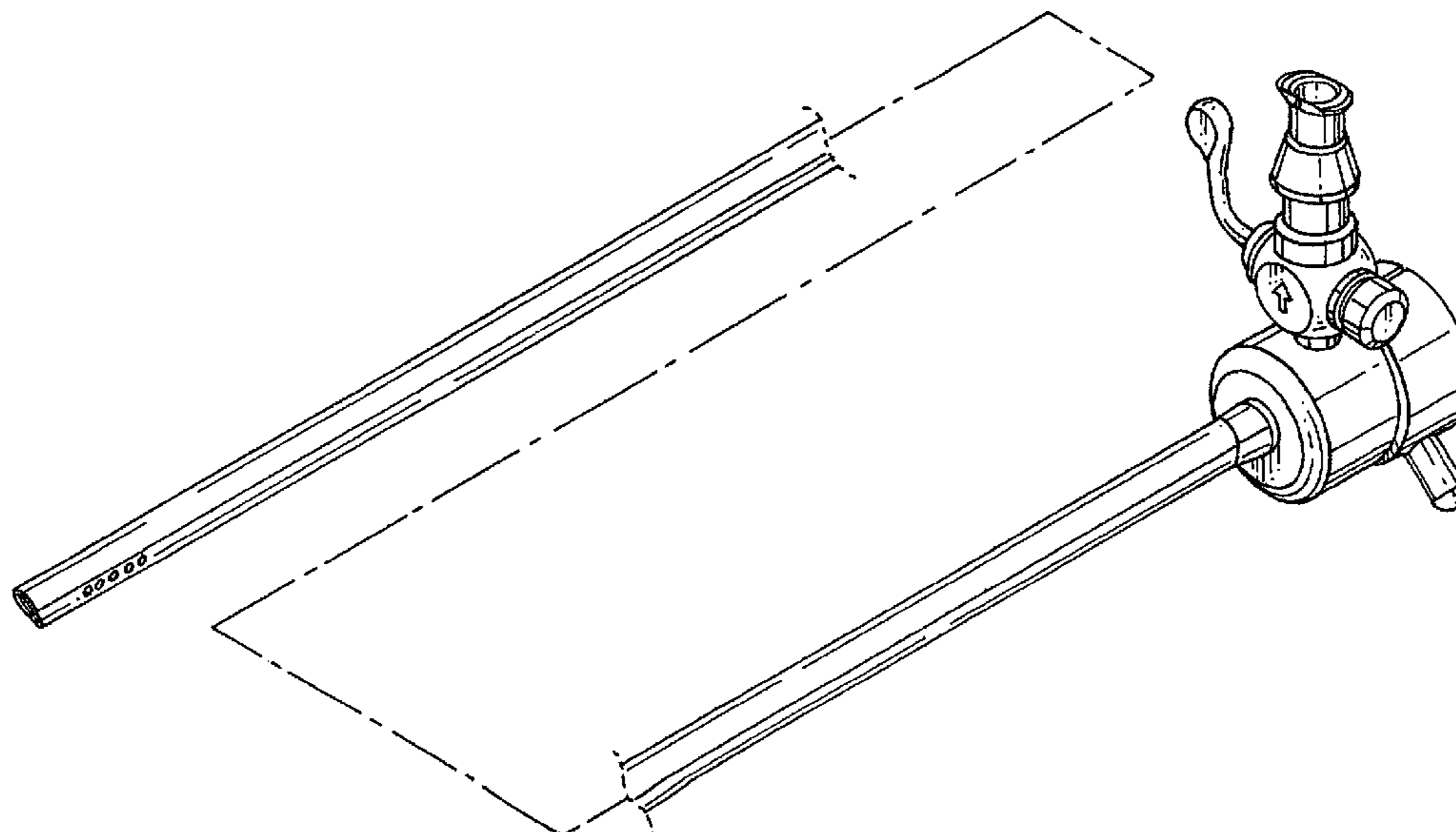
FIG. 3 is a top elevational view of the shaft for a medical instrument of FIG. 1;

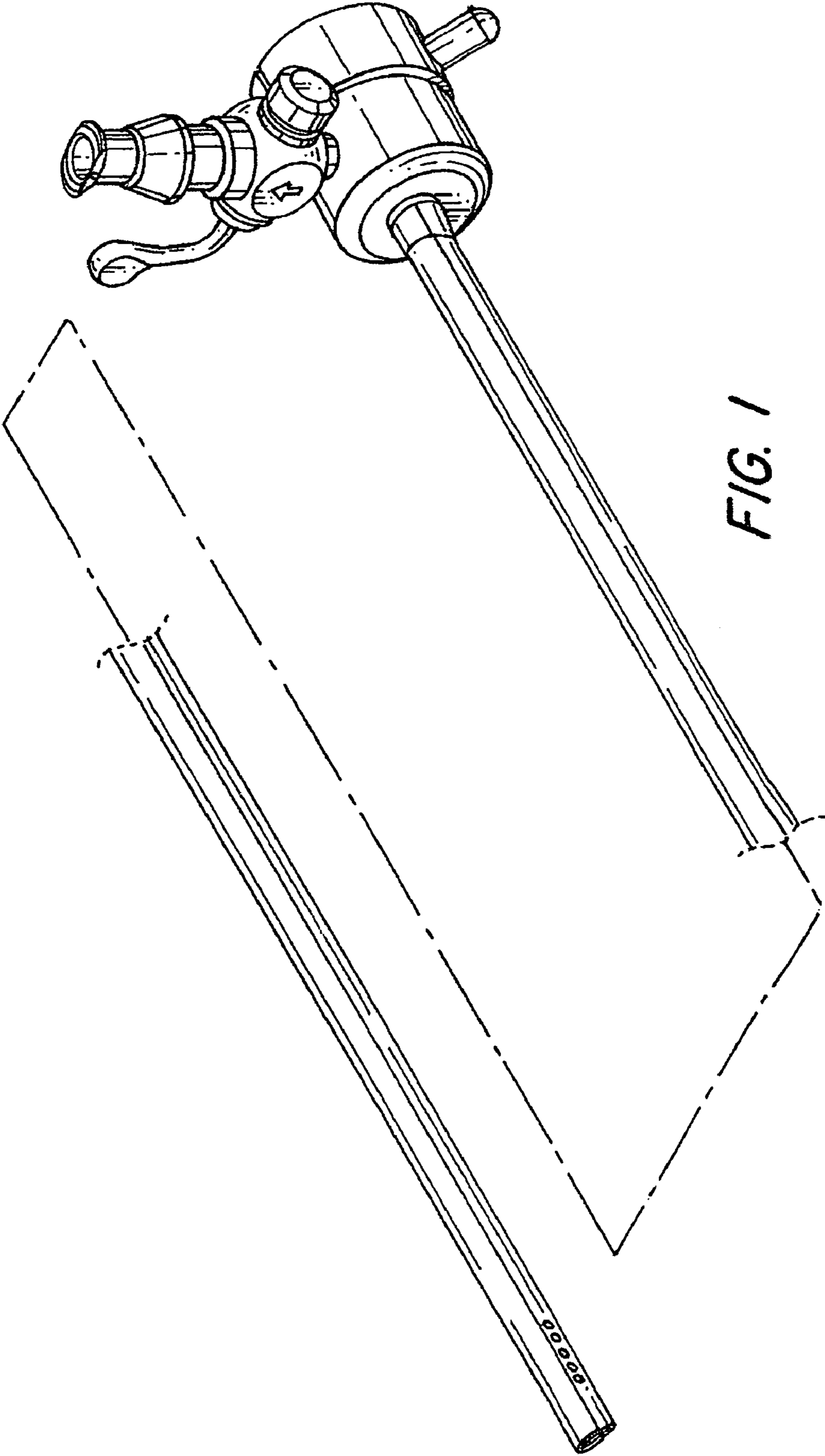
FIG. 4 is a bottom elevational view of the shaft for a medical instrument of FIG. 1;

FIG. 5 is a front end elevational view of the shaft for a medical instrument of FIG. 1; and,

FIG. 6 is a rear end elevational view of the shaft for a medical instrument of FIG. 1.

**1 Claim, 5 Drawing Sheets**





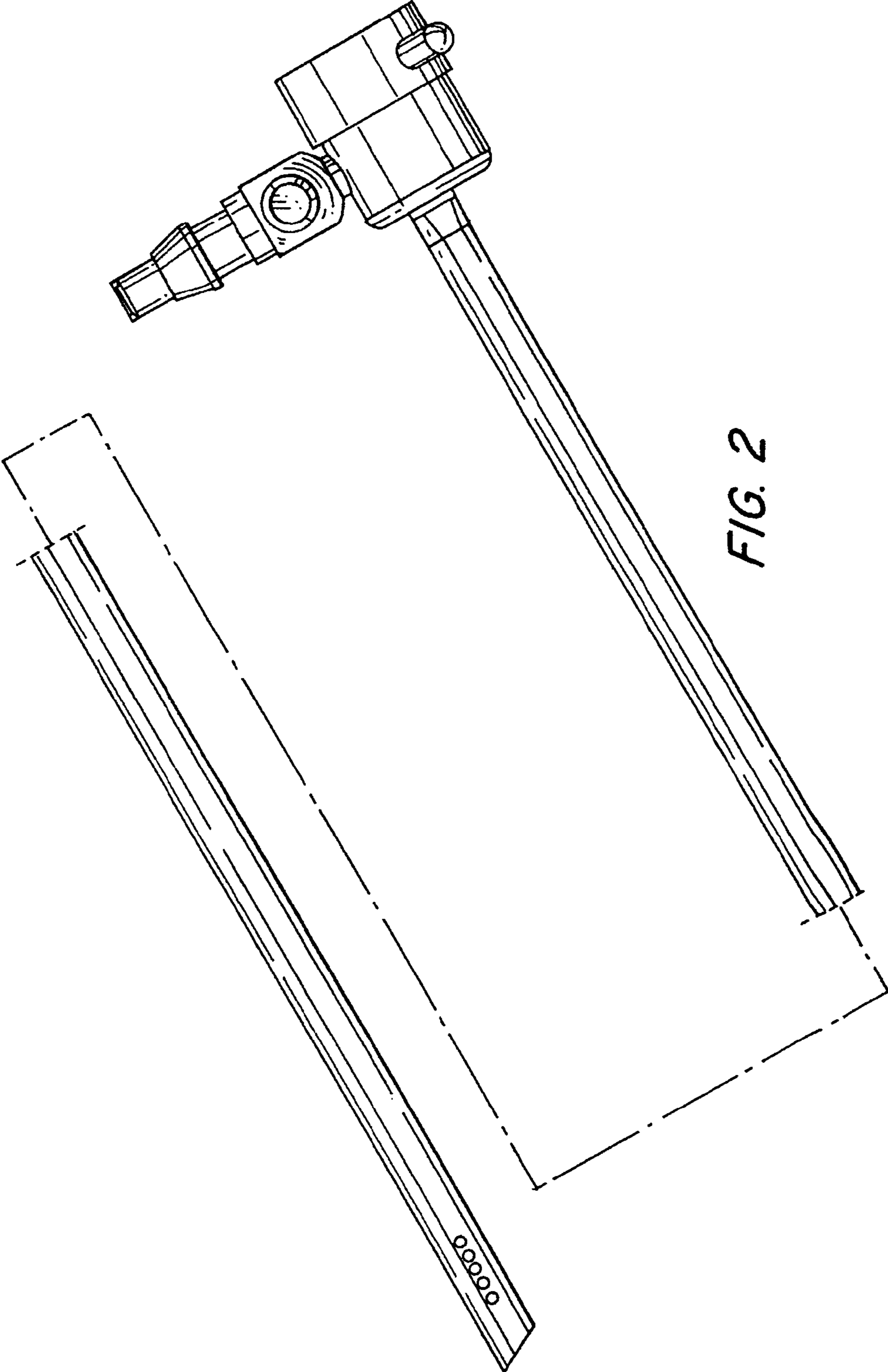


FIG. 2

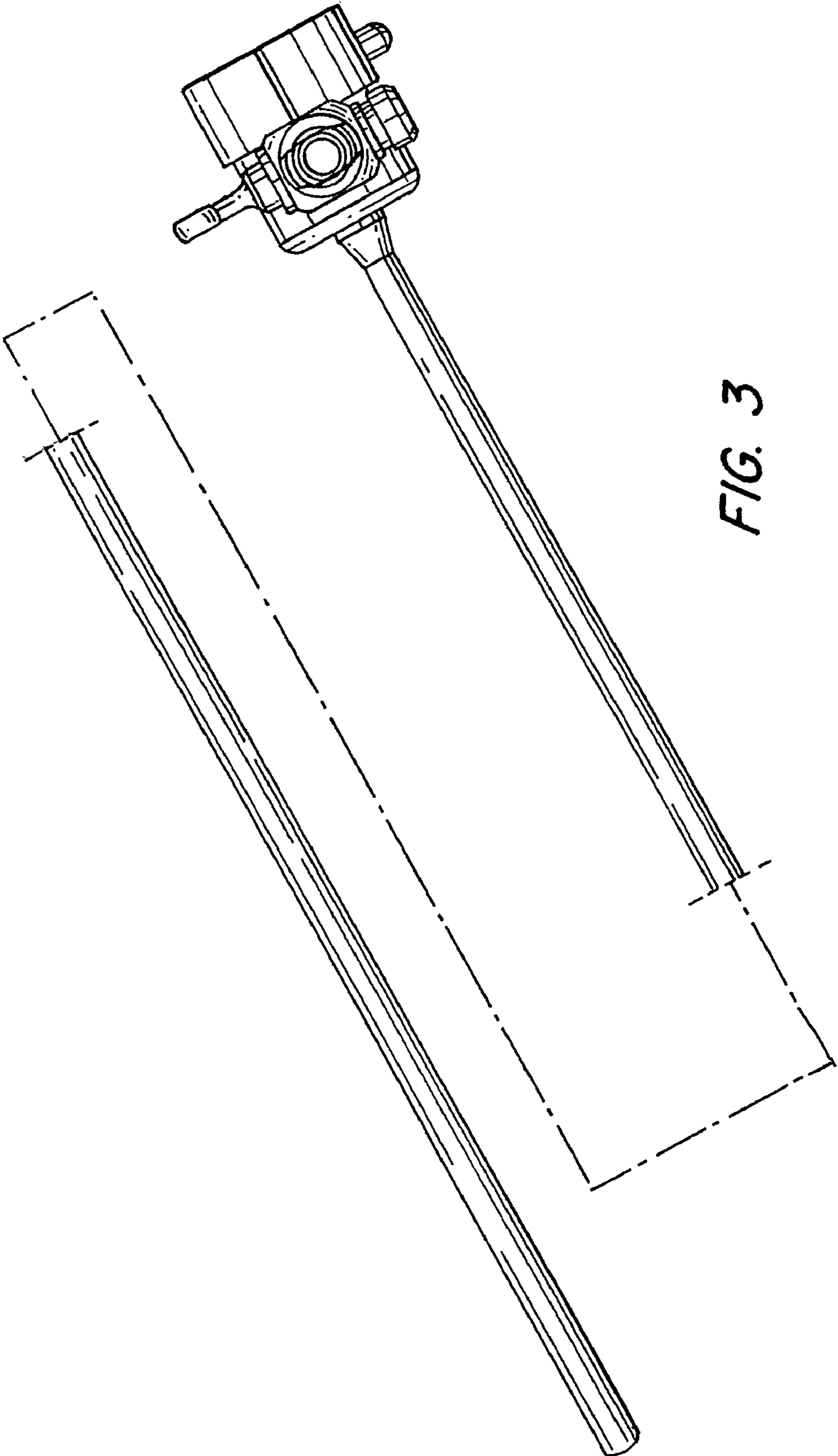
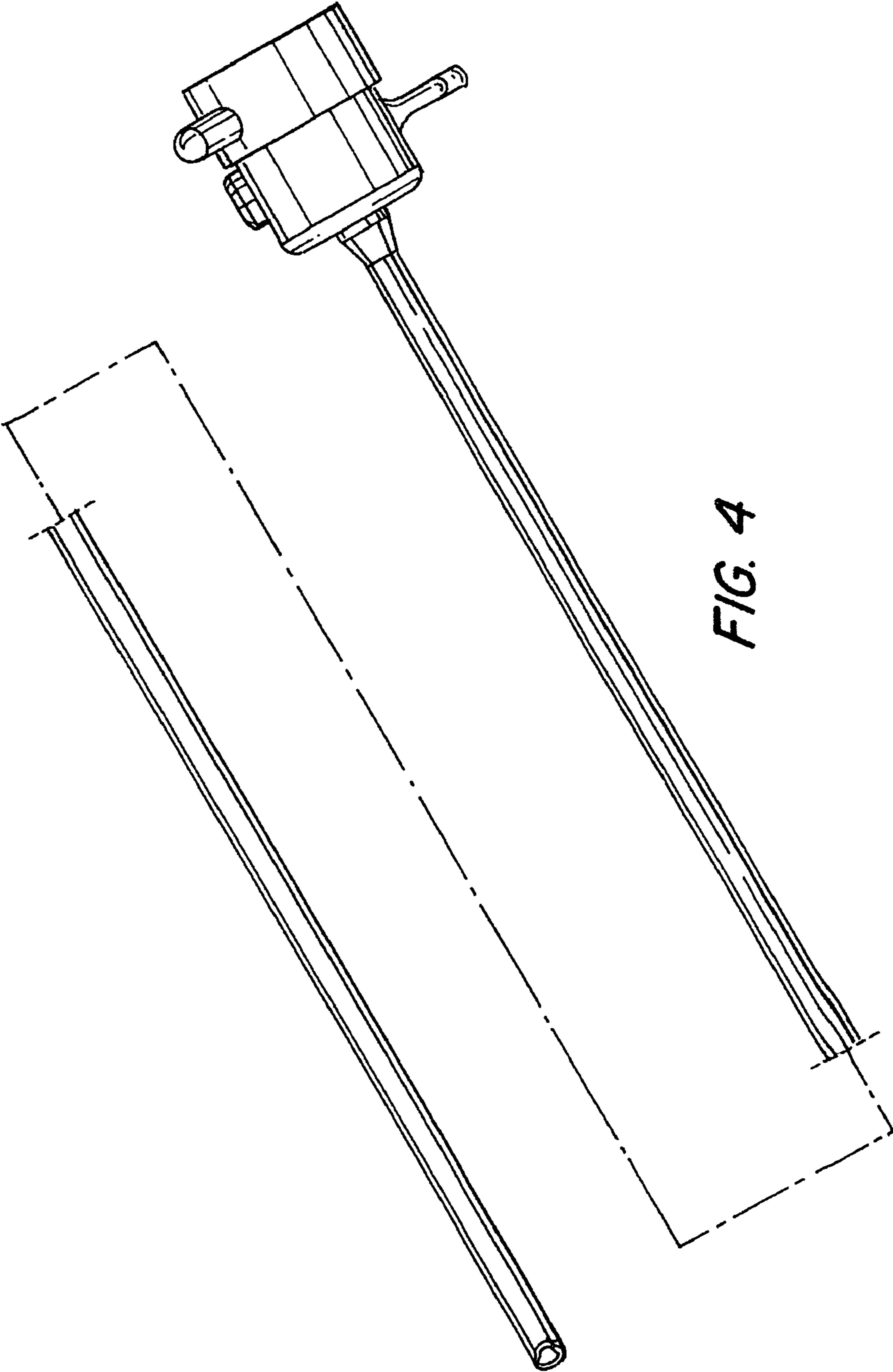
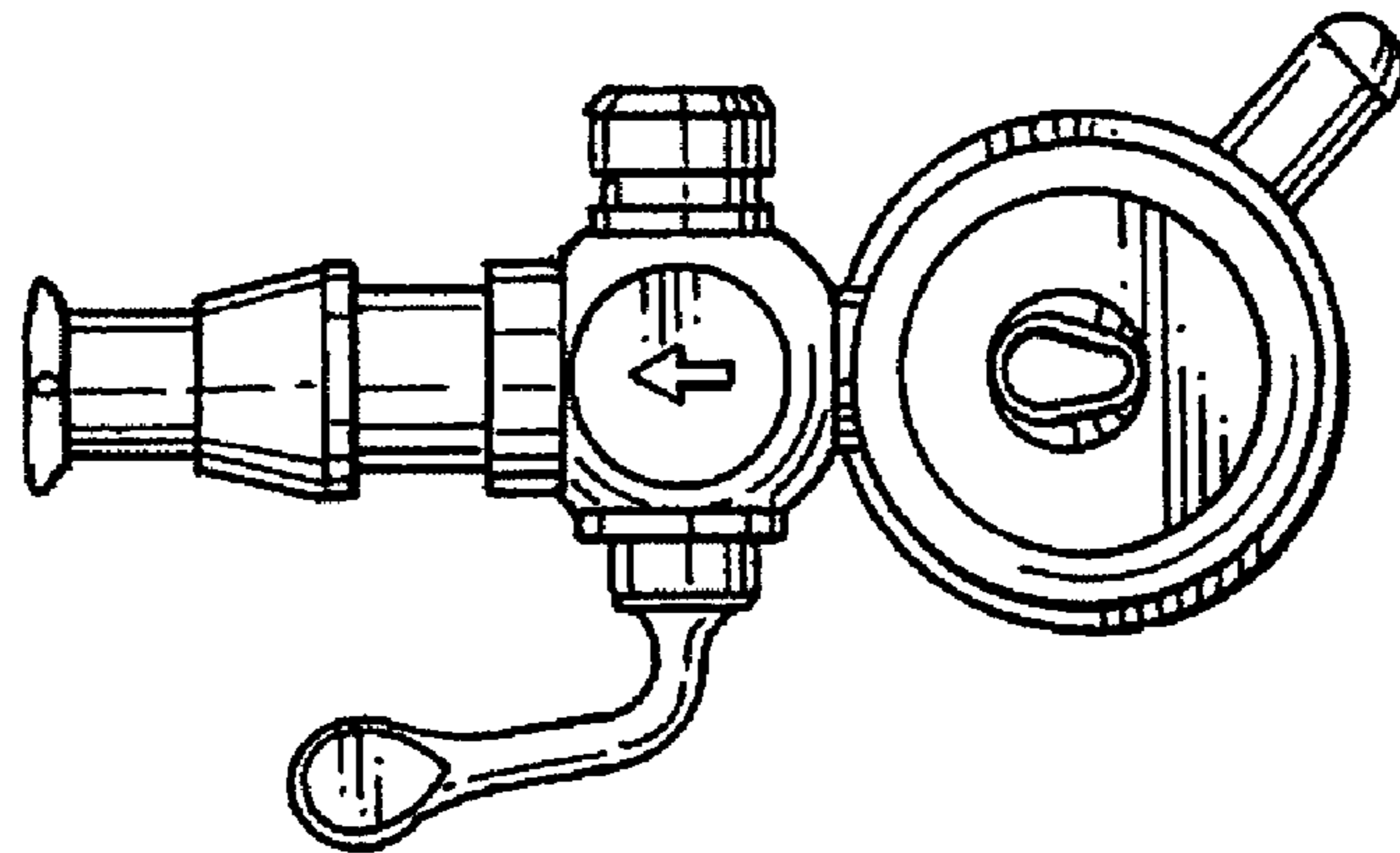


FIG. 3

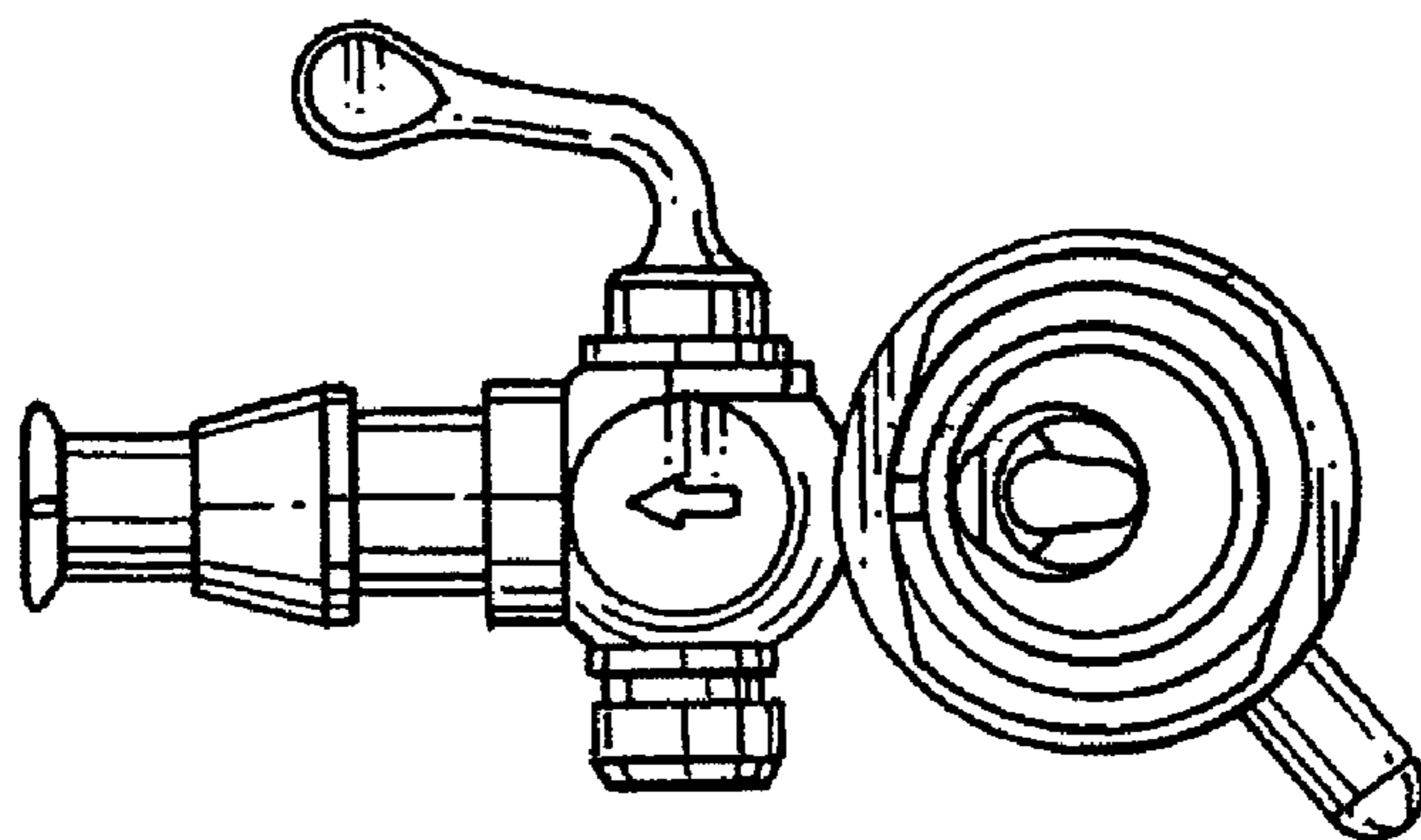




*FIG. 4*



*FIG. 5*



*FIG. 6*