



US00D639942S

(12) **United States Design Patent**
Terry et al.

(10) **Patent No.:** **US D639,942 S**

(45) **Date of Patent:** **** *Jun. 14, 2011**

(54) **SPECULUM WITH TRANSVERSELY ORIENTED POSITION RETAINING ARRANGEMENT**

(75) Inventors: **Frederick M. Terry**, Plymouth, MA (US); **Dana Cote**, Boxford, MA (US)

(73) Assignee: **Beaver-Visitec International (US), Inc.**, Waltham, MA (US)

(*) Notice: This patent is subject to a terminal disclaimer.

(**) Term: **14 Years**

(21) Appl. No.: **29/345,956**

(22) Filed: **Oct. 23, 2009**

(51) **LOC (9) Cl.** **24-02**

(52) **U.S. Cl.** **D24/135**

(58) **Field of Classification Search** D24/133, D24/134, 135, 136, 137, 138, 139, 140, 141, D24/142, 143, 146, 150, 152, 144, 145, 147, D24/148, 149, 151, 153, 154, 127, 128, 129, D24/130, 107-108, 112, 111, 200; D23/233, D23/235; D8/40, 47, 57, 60, 67, 68, 69, D8/80, 82, 83, 84, 93, 94, 97, 107; 600/184, 600/220-223, 224, 225-227, 201-203, 210-218; 606/7, 86 A, 86 B, 119, 129, 186; 81/9.22; 604/48

See application file for complete search history.

(56) **References Cited**

U.S. PATENT DOCUMENTS

D44,388	S	*	7/1913	Weder et al.	D24/135
3,038,467	A	*	6/1962	Sovatkin	600/219
3,789,835	A	*	2/1974	Whitman	600/223
D307,322	S	*	4/1990	Dolwick	D24/135
D314,826	S	*	2/1991	Torre	D24/135
6,964,675	B2	*	11/2005	Zhu et al.	606/213
7,288,065	B1	*	10/2007	Taylor et al.	600/232
D566,268	S	*	4/2008	Koros et al.	D24/135

D612,494	S	*	3/2010	Ott et al.	D24/135
D612,495	S	*	3/2010	Ott et al.	D24/135
2003/0191370	A1	*	10/2003	Phillips	600/201
2004/0225196	A1	*	11/2004	Ruane	600/220
2010/0022845	A1	*	1/2010	Ott et al.	600/215

FOREIGN PATENT DOCUMENTS

EM	001691023-0001	*	4/2010
EM	001691023-0002	*	4/2010
EM	001692062-0001	*	4/2010
EM	001692062-0002	*	4/2010

* cited by examiner

Primary Examiner — Bridget L Eland

(74) *Attorney, Agent, or Firm* — Hoffmann & Baron, LLP

(57) **CLAIM**

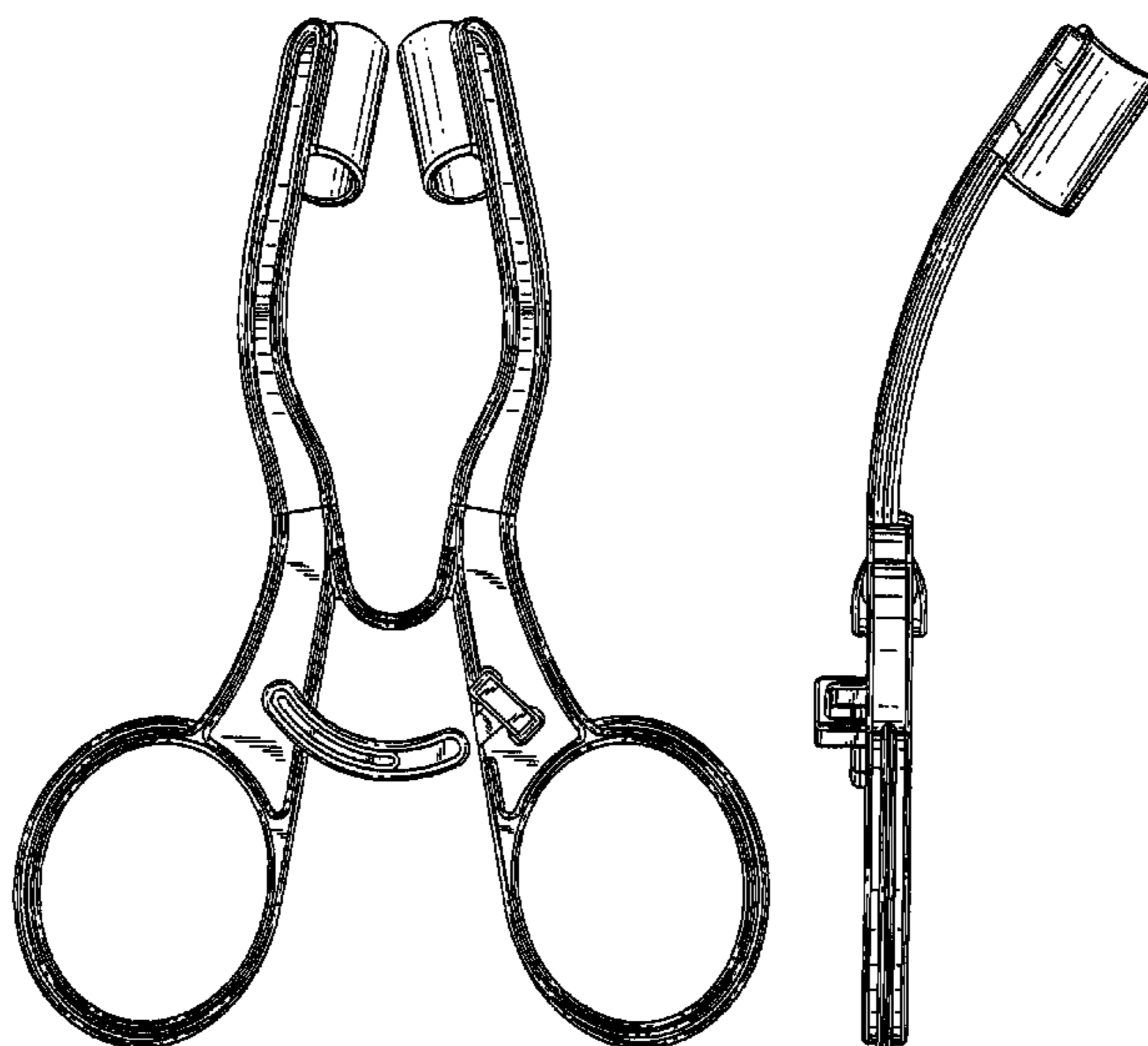
The ornamental design for a speculum with transversely oriented position retaining arrangement, as shown and described.

DESCRIPTION

FIG. 1 is a top plan view of a speculum with transversely oriented position retaining arrangement; FIG. 2 is a front elevational view thereof; FIG. 3 is a right side elevational view thereof; FIG. 4 is a left side elevational view thereof; FIG. 5 is a bottom plan view thereof; FIG. 6 is a rear elevational view thereof; FIG. 7 is a top plan view of a second embodiment of the speculum as disclosed in FIG. 1; FIG. 8 is a front elevational view thereof; FIG. 9 is a right side elevational view thereof; FIG. 10 is a left side elevational view thereof; FIG. 11 is a bottom plan view thereof; and, FIG. 12 is a rear elevational view thereof.

The broken lines in FIG. 5 adjacent to the claimed areas represent the bounds of the claimed design and are for illustrative purposes only; the broken lines form no part of the claimed design.

1 Claim, 12 Drawing Sheets



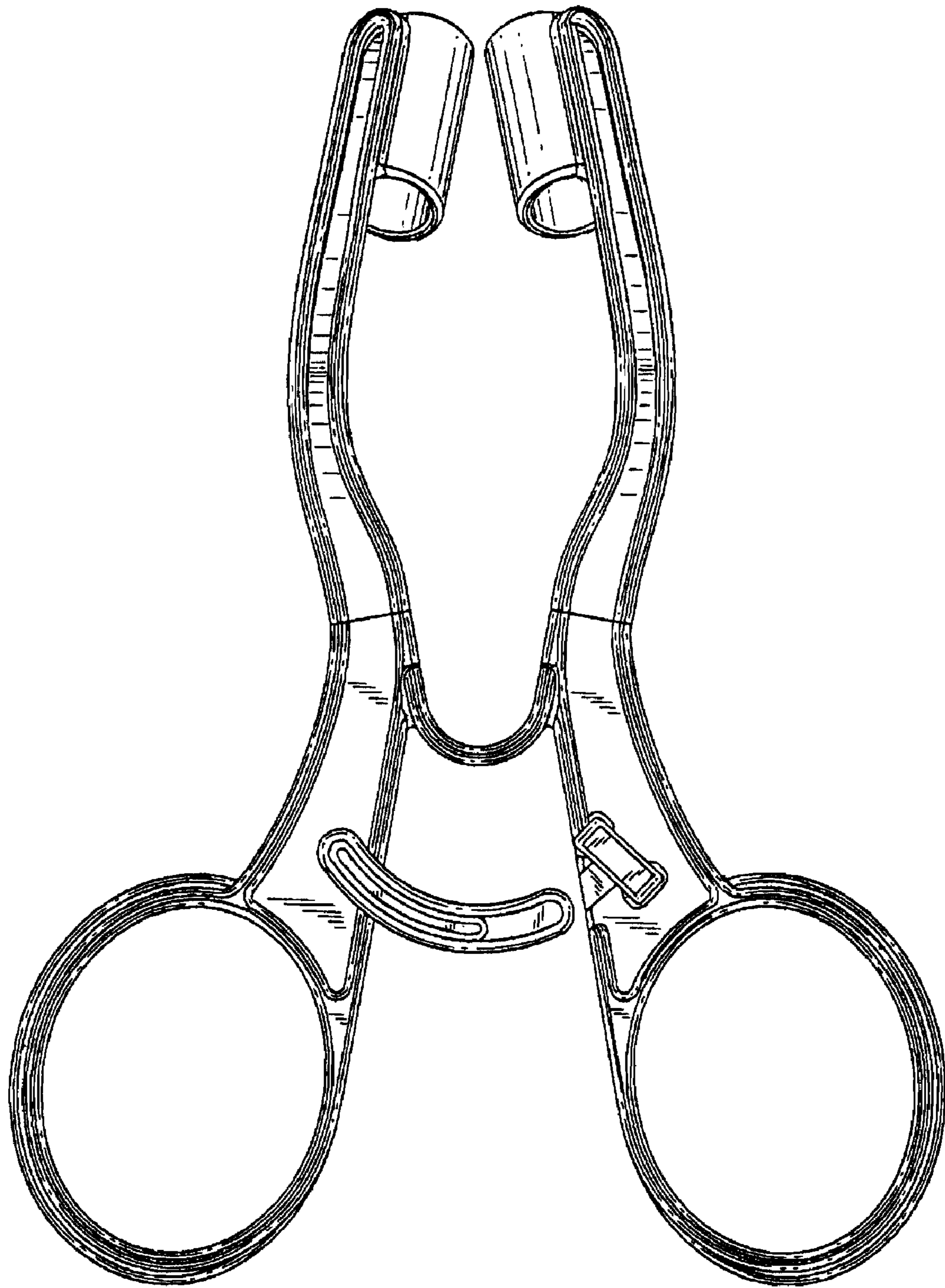


FIG. 1

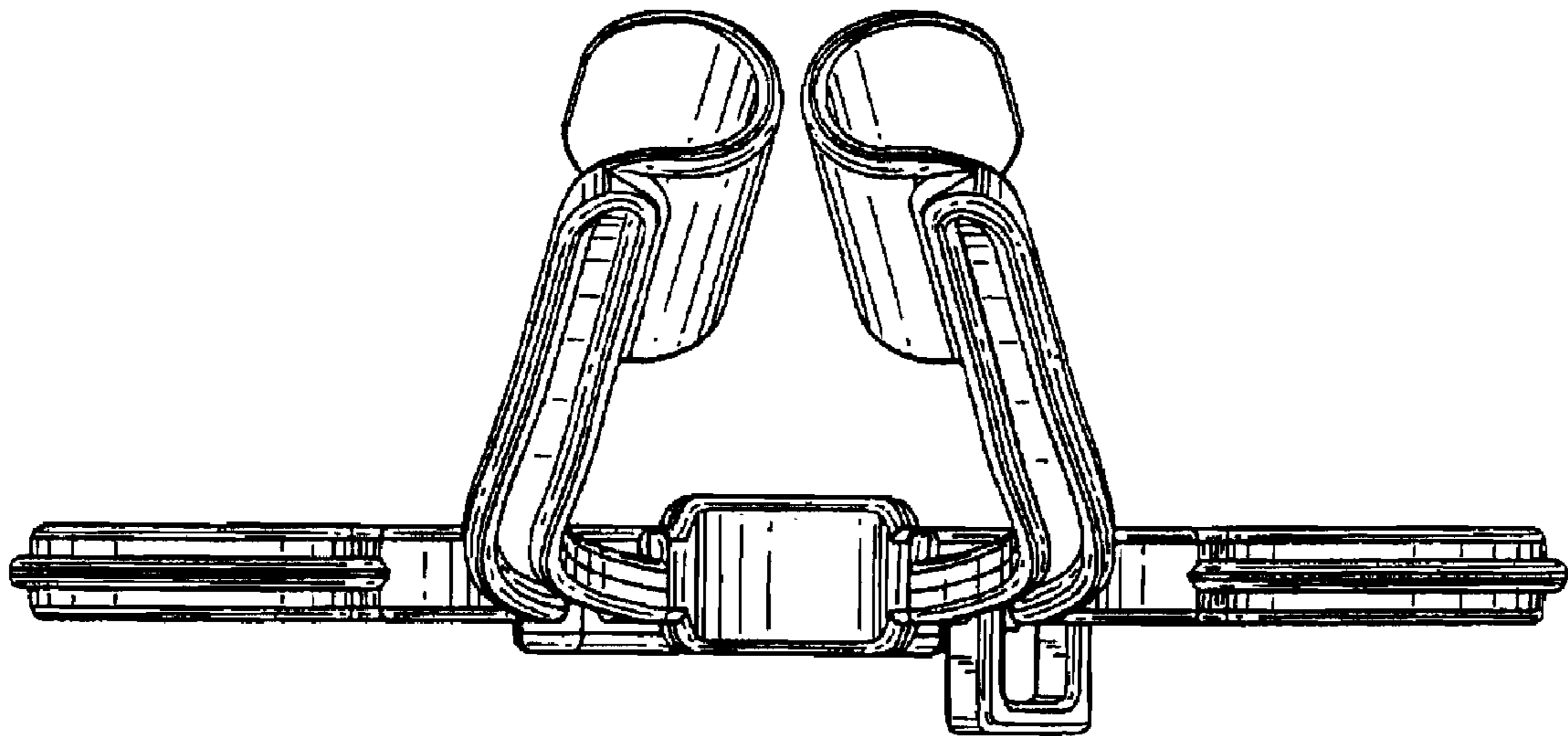


FIG.2

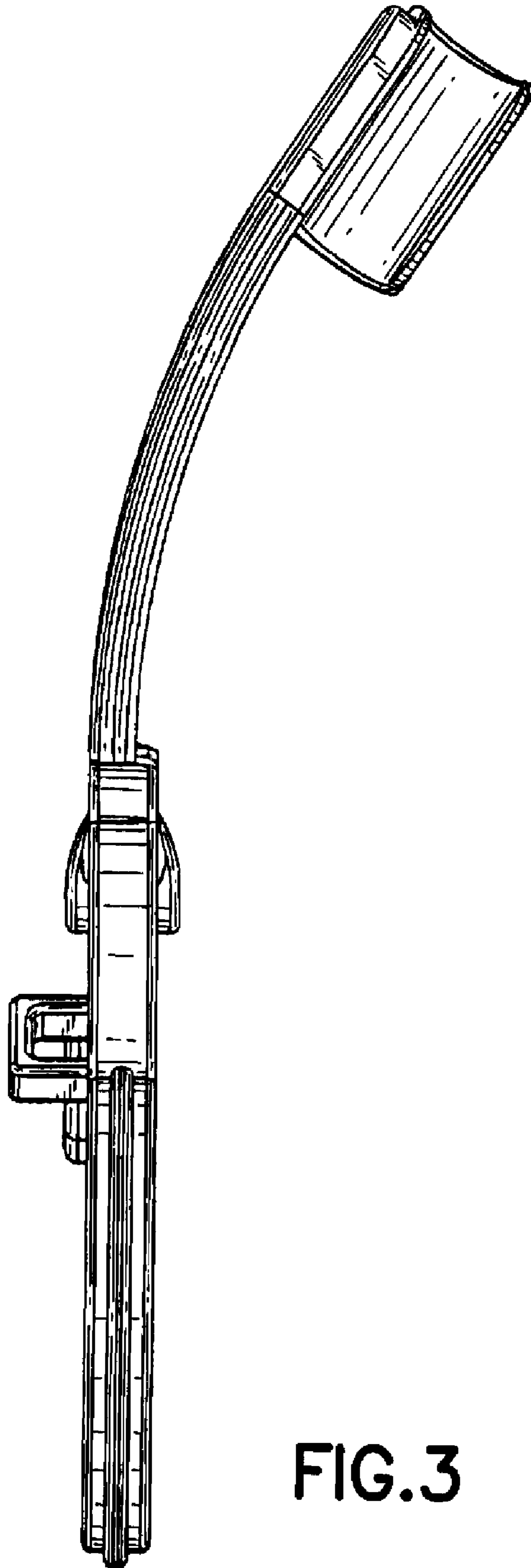


FIG.3

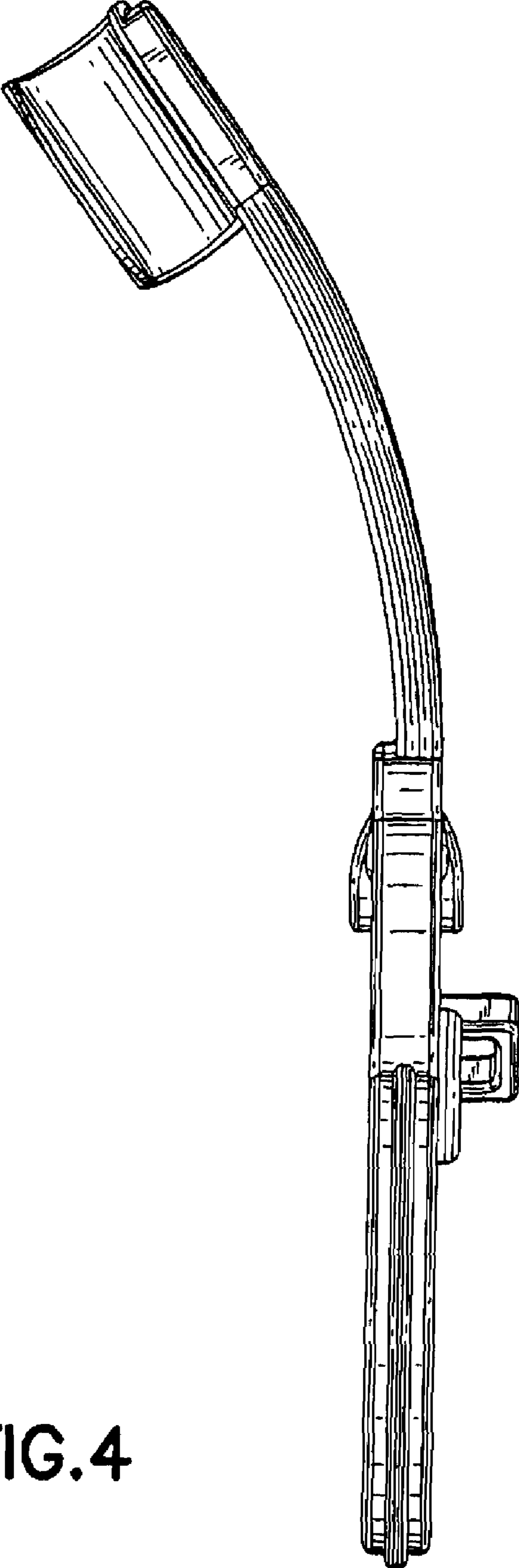


FIG.4

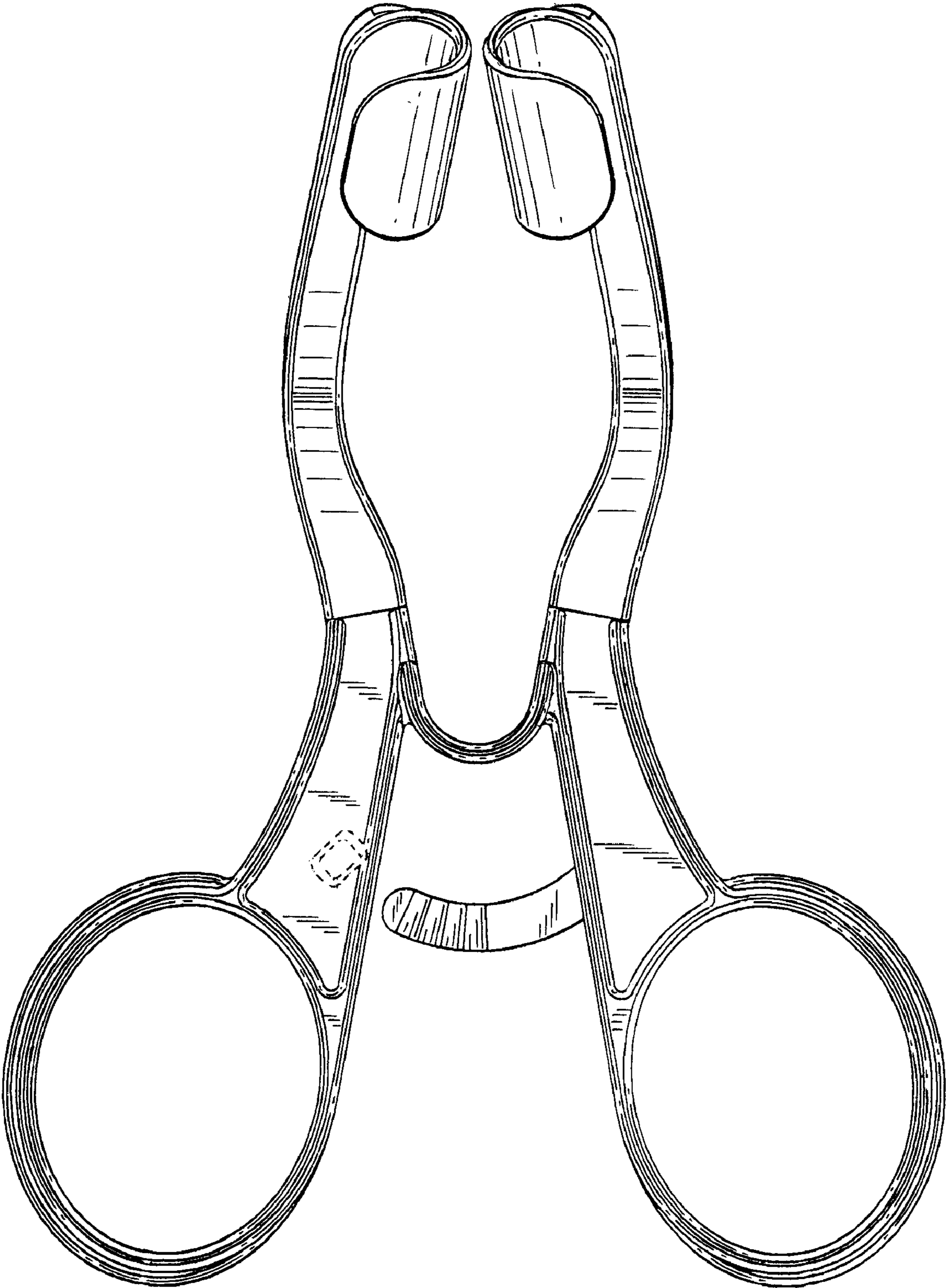


FIG.5

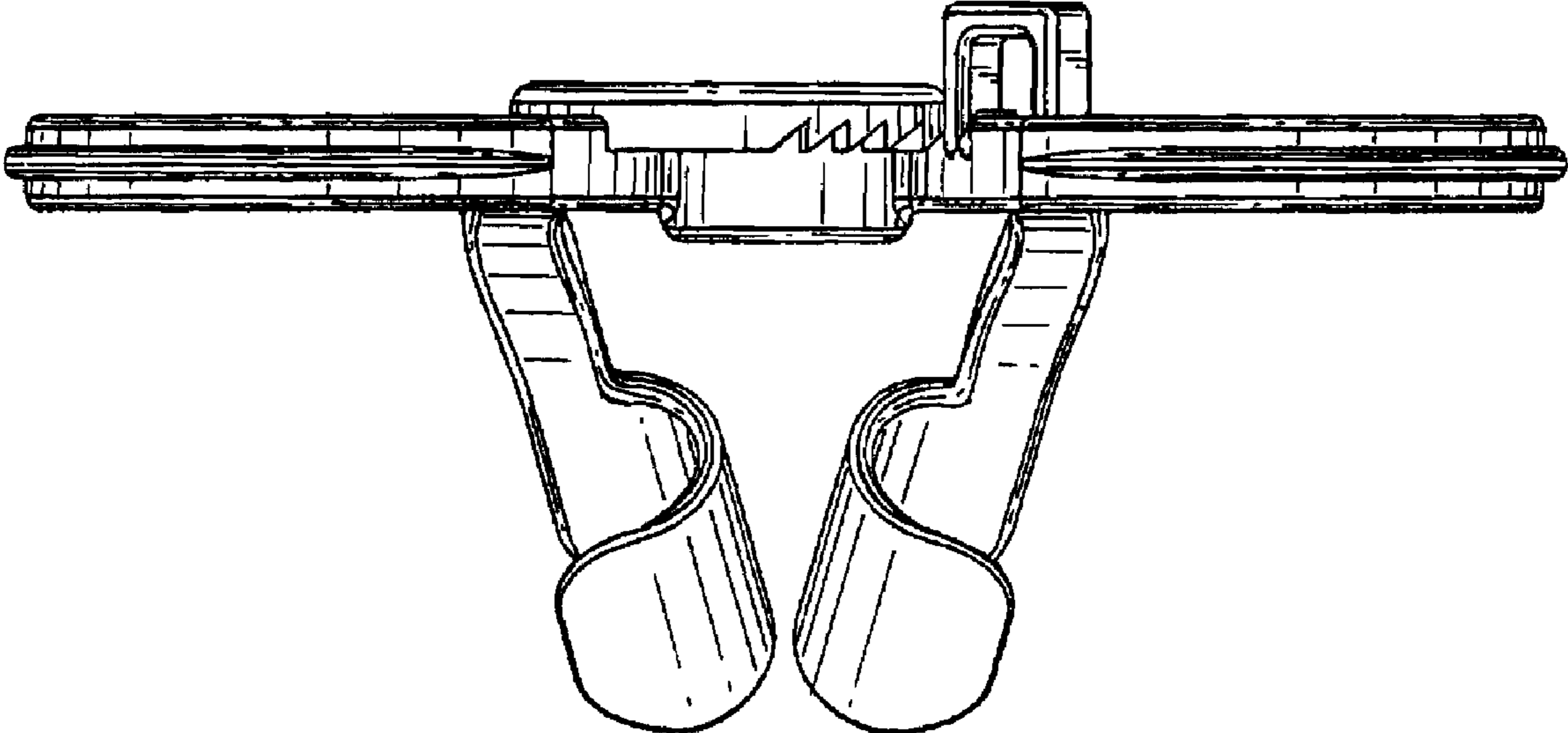


FIG.6

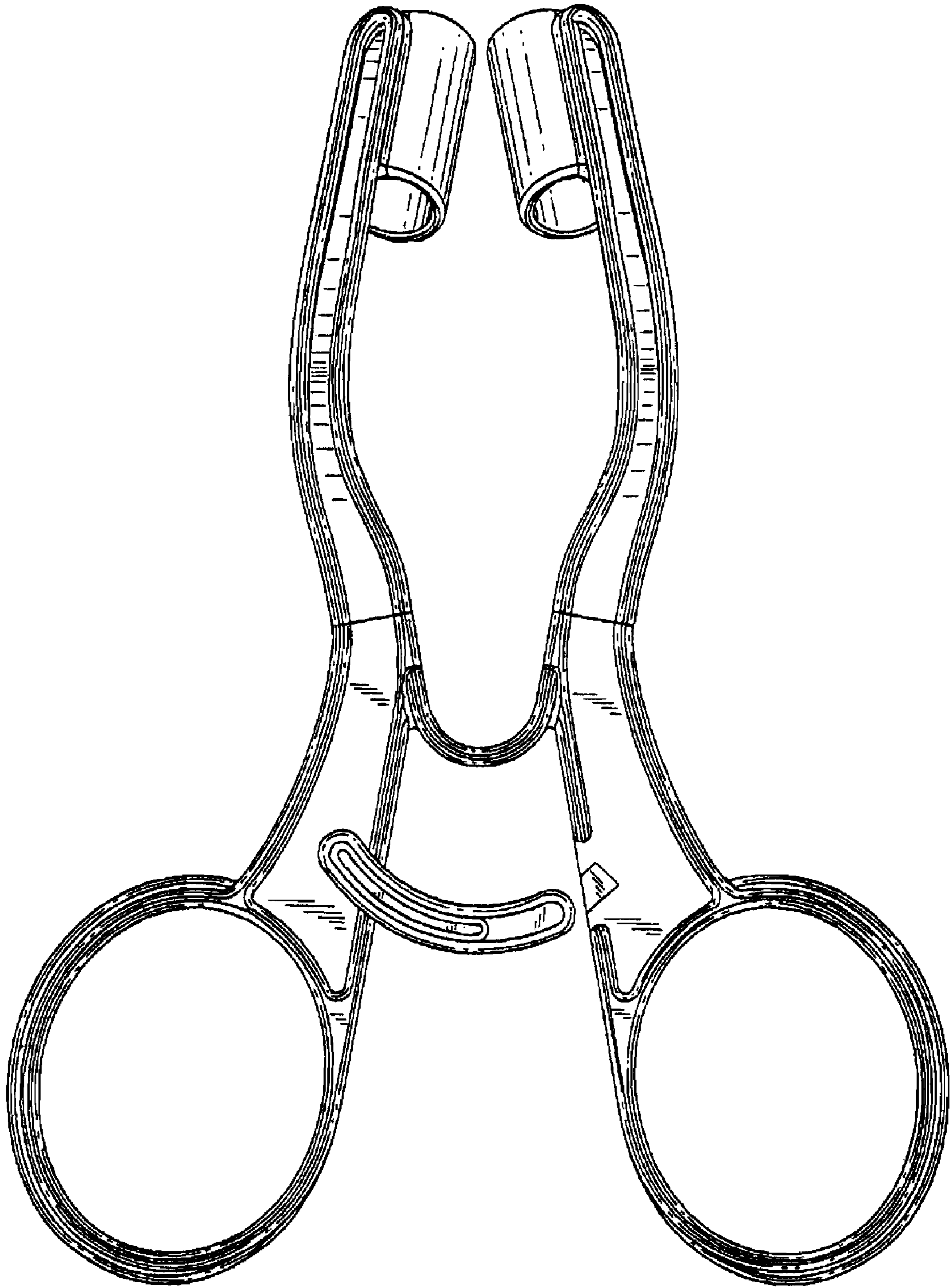


FIG. 7

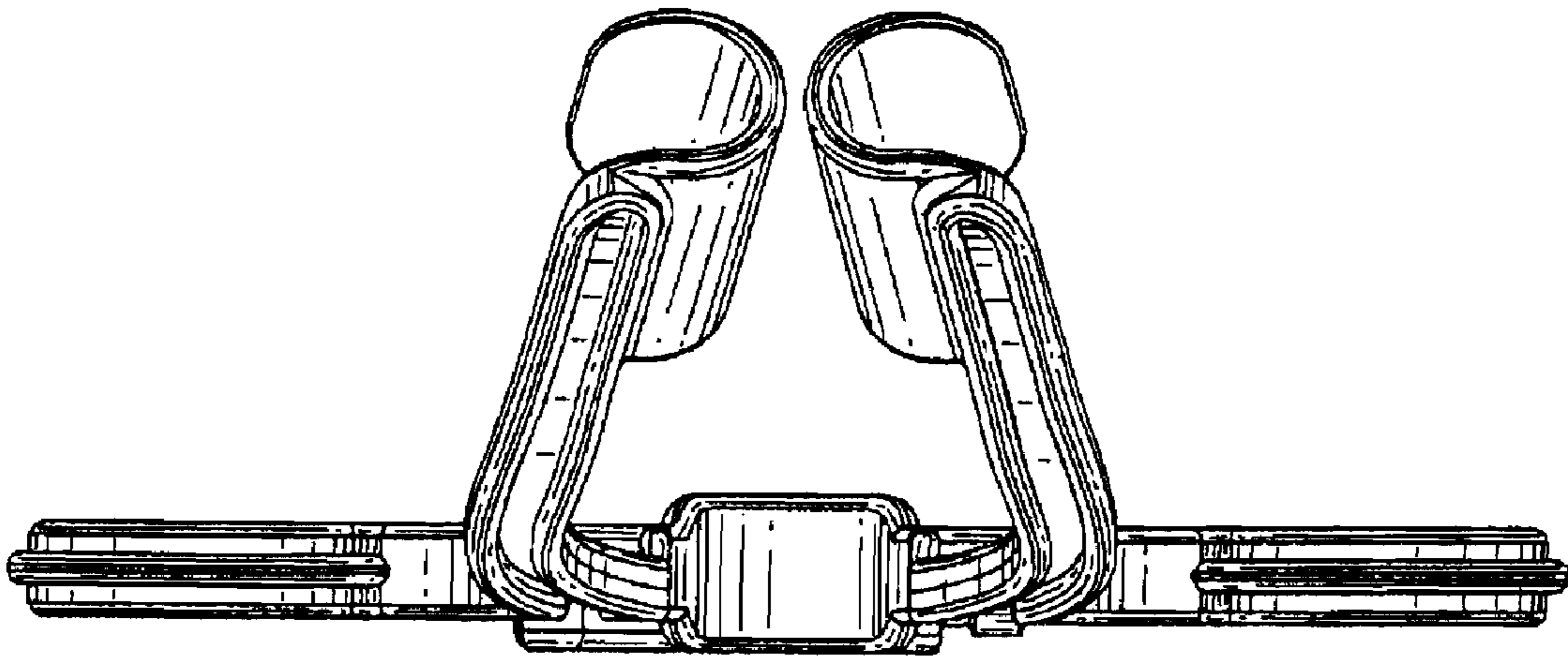


FIG.8

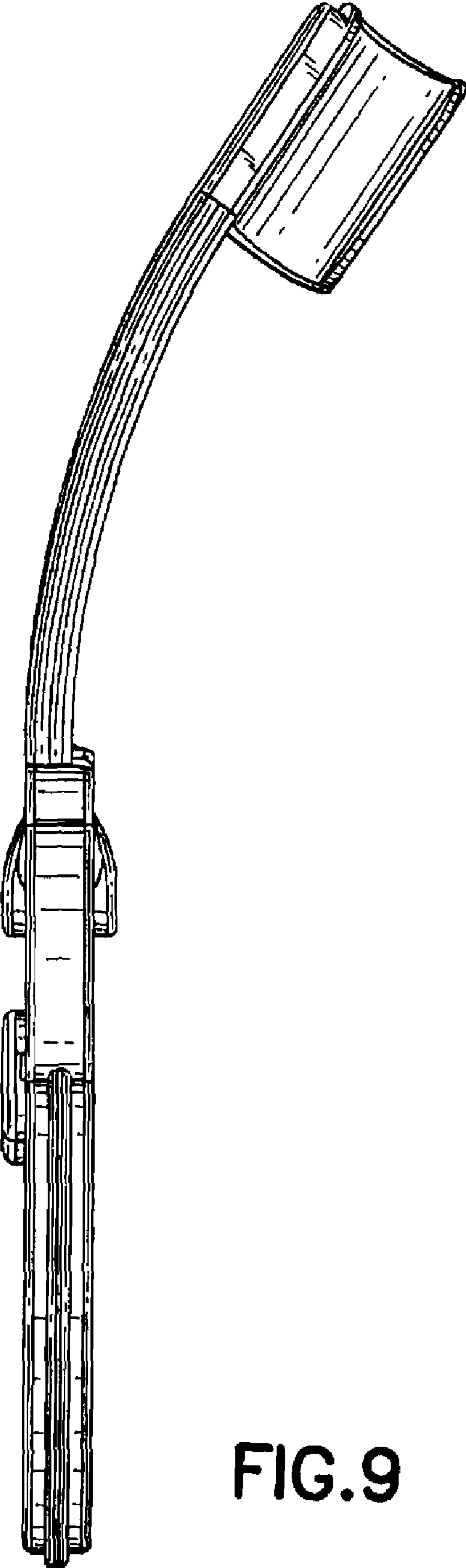


FIG. 9

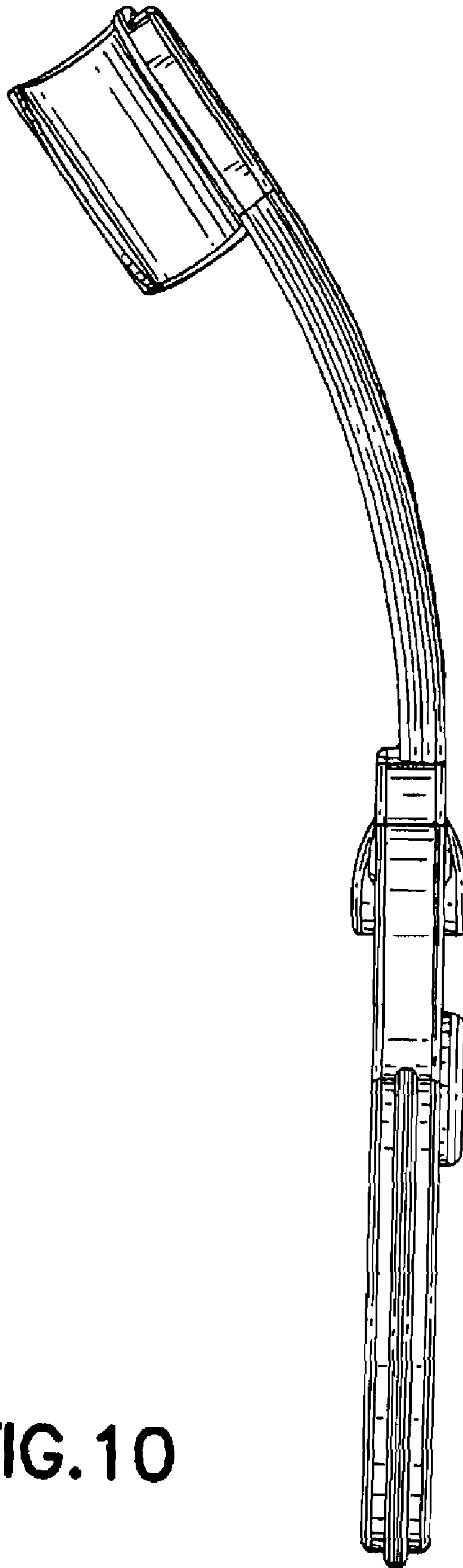


FIG. 10

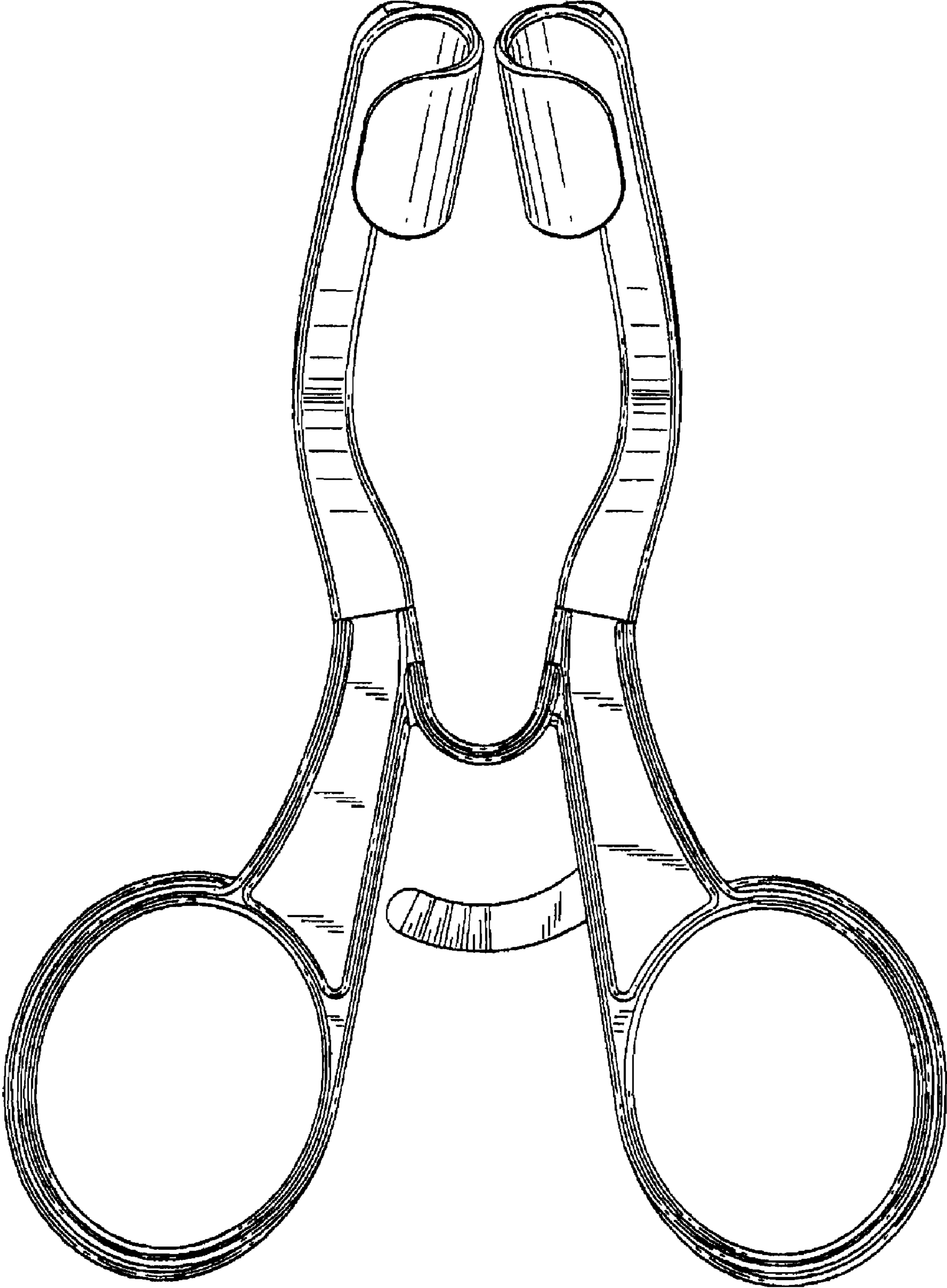


FIG. 11

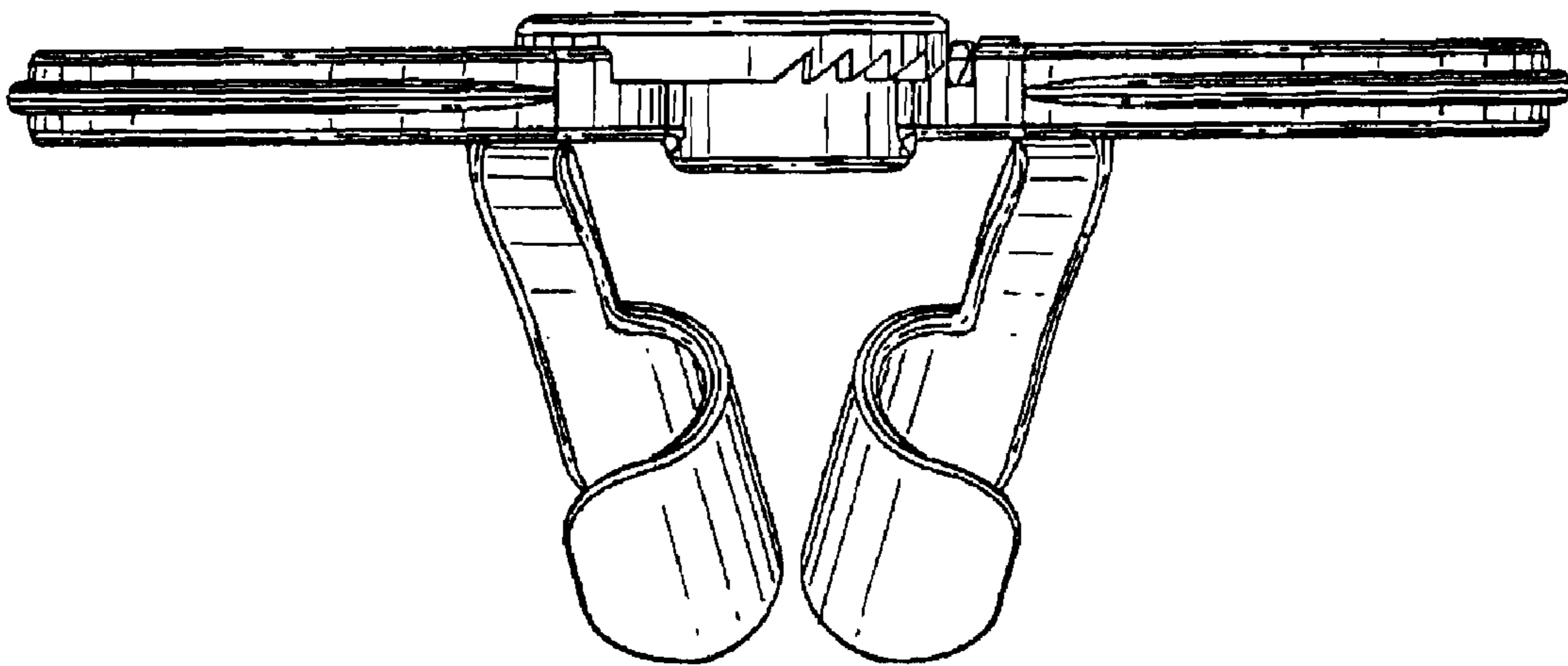


FIG. 12