



US00D639939S

(12) **United States Design Patent**
Klockars et al.

(10) **Patent No.:** **US D639,939 S**
(45) **Date of Patent:** **** Jun. 14, 2011**

(54) **MEDICAL DEVICE**

(75) Inventors: **Kalle Klockars**, Gothenburg (SE); **Lars Nord**, Gothenburg (SE)

(73) Assignee: **Carmel Pharma AB** (SE)

(**) Term: **14 Years**

(21) Appl. No.: **29/301,672**

(22) Filed: **Mar. 12, 2008**

(30) **Foreign Application Priority Data**

Mar. 4, 2008 (EM) 000890546-0001
Mar. 4, 2008 (EM) 000890546-0002

(51) **LOC (9) Cl.** **24-02**

(52) **U.S. Cl.** **D24/129**

(58) **Field of Classification Search** D24/107,
D24/108, 114, 127, 129, 130, 133; 600/5;
604/27, 93.01, 110, 111, 198, 164.08, 187,
604/192, 264, 508, 905

See application file for complete search history.

(56) **References Cited**

U.S. PATENT DOCUMENTS

4,185,619 A * 1/1980 Reiss 600/5
5,219,333 A * 6/1993 Sagstetter et al. 604/110
D357,307 S * 4/1995 Ramacier et al. D23/262
5,695,466 A * 12/1997 Lopez et al. 604/93.01
D422,356 S * 4/2000 Marano et al. D24/114
D473,646 S * 4/2003 Baillargeon et al. D24/129
6,682,509 B2 * 1/2004 Lopez 604/249
D503,978 S * 4/2005 Beck D24/129
7,351,227 B2 * 4/2008 Lemer 604/192

7,520,489 B2 * 4/2009 Ruschke et al. 251/149.7
7,534,229 B2 * 5/2009 Hommann et al. 604/187
7,588,559 B2 * 9/2009 Aravena et al. 604/188
7,628,774 B2 * 12/2009 Fangrow, Jr. 604/247
2006/0229572 A1 * 10/2006 Lopez 604/256
2008/0171995 A1 * 7/2008 Vitullo et al. 604/187
2008/0171997 A1 * 7/2008 Kohlbrenner et al. 604/187
2008/0183140 A1 * 7/2008 Paproski et al. 604/232
2009/0227950 A1 * 9/2009 Jensen et al. 604/110
2009/0227955 A1 * 9/2009 Hirschel et al. 604/187
2009/0259178 A1 * 10/2009 Brechbuehler et al. 604/110

* cited by examiner

Primary Examiner — Karen E Eldridge Powers

(74) *Attorney, Agent, or Firm* — Lerner, David, Littenberg, Krumholz & Mentlik, LLP

(57) **CLAIM**

The ornamental design for a medical device, as shown and described.

DESCRIPTION

FIG. 1 is a perspective view from the front of an embodiment of a medical device, in accordance with the present invention; FIG. 2 is a perspective view from the rear of the medical device shown in FIG. 1;

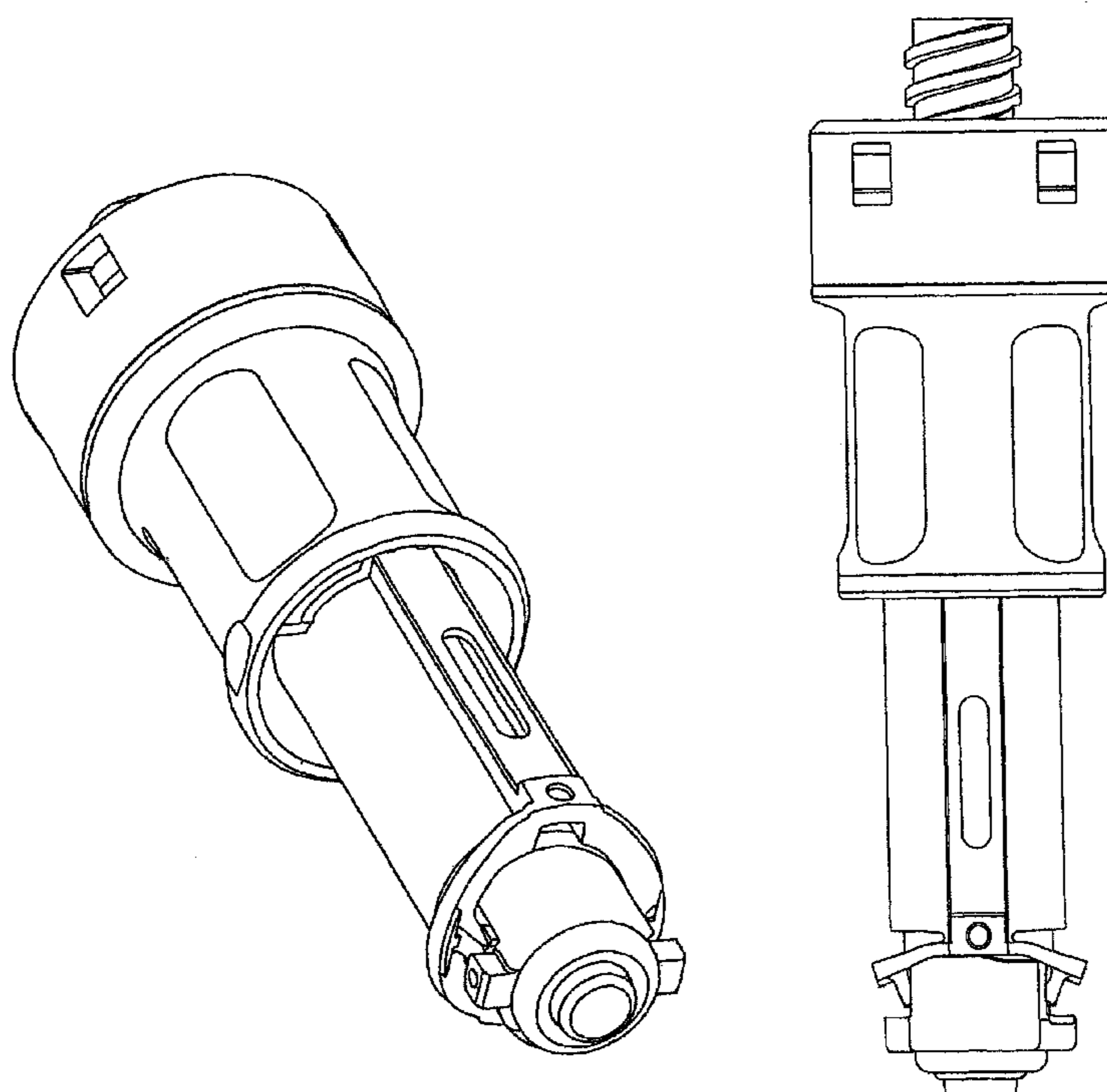
FIG. 3 is a top plan view of the medical device shown in FIG. 1;

FIG. 4 is a bottom plan view of the medical device shown in FIG. 1;

FIG. 5 is a front plan view of the medical device shown in FIG. 1; and,

FIG. 6 is a rear plan view of the medical device shown in FIG. 1.

1 Claim, 6 Drawing Sheets



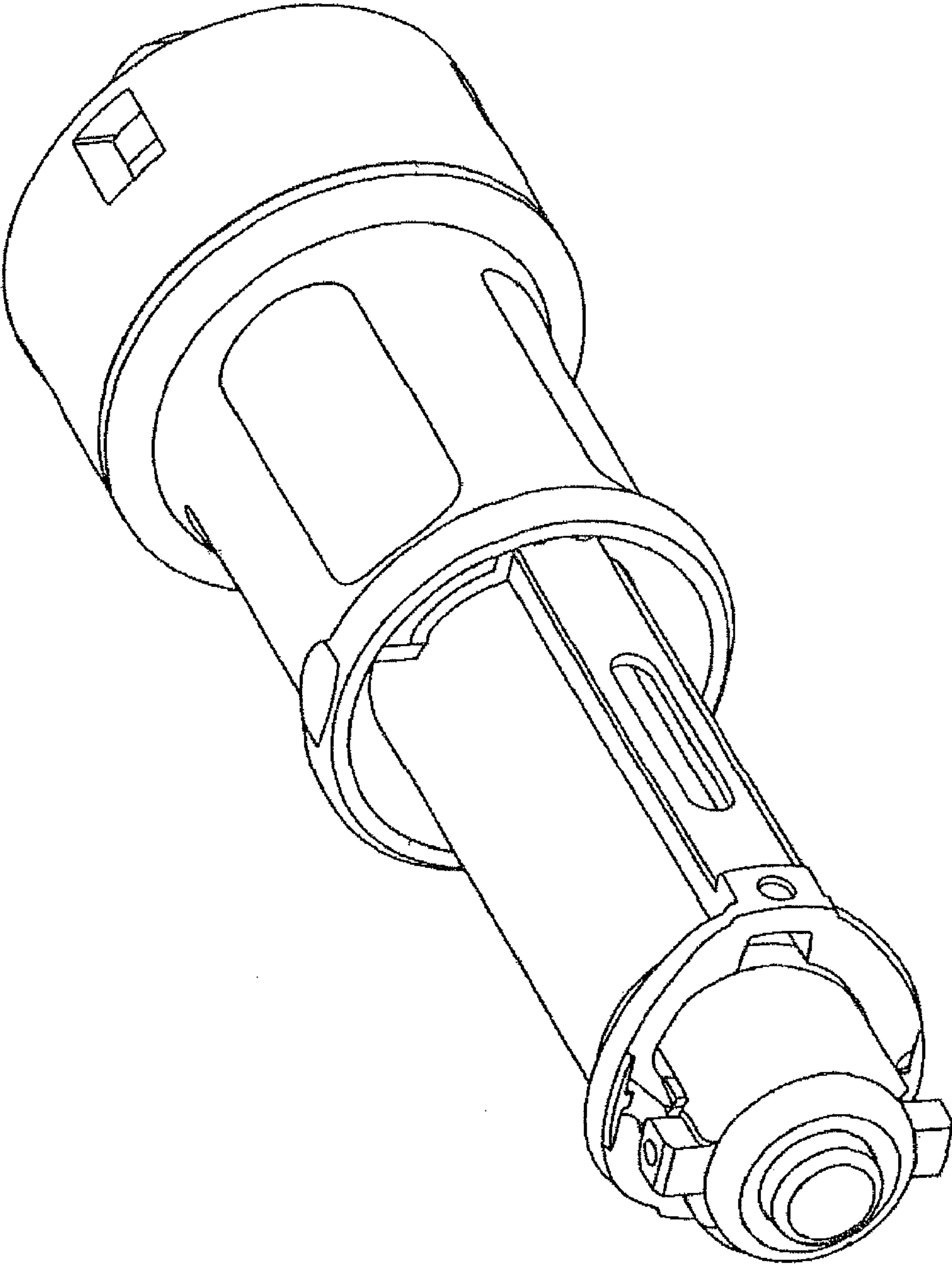


FIG. 1

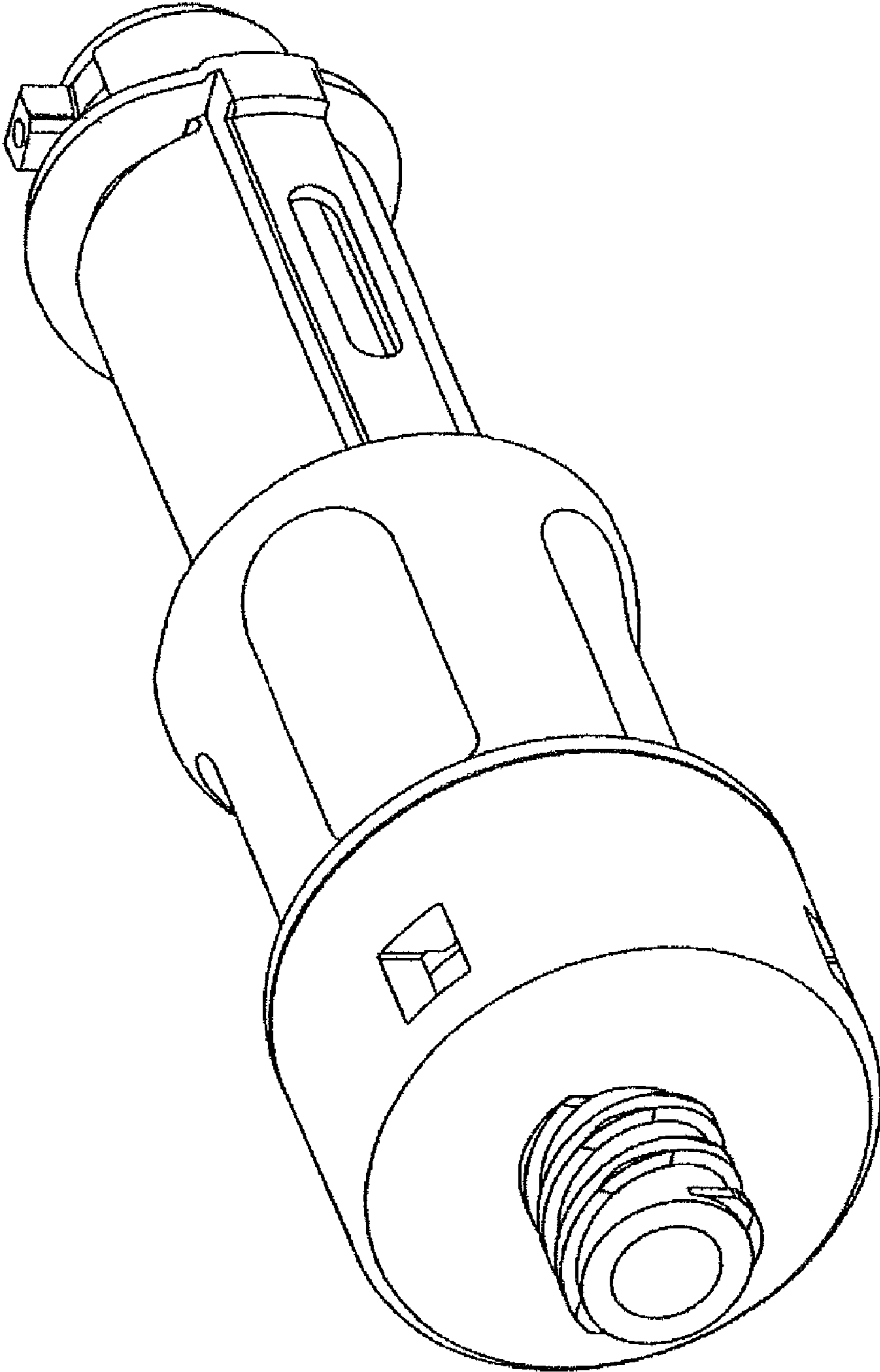


FIG. 2

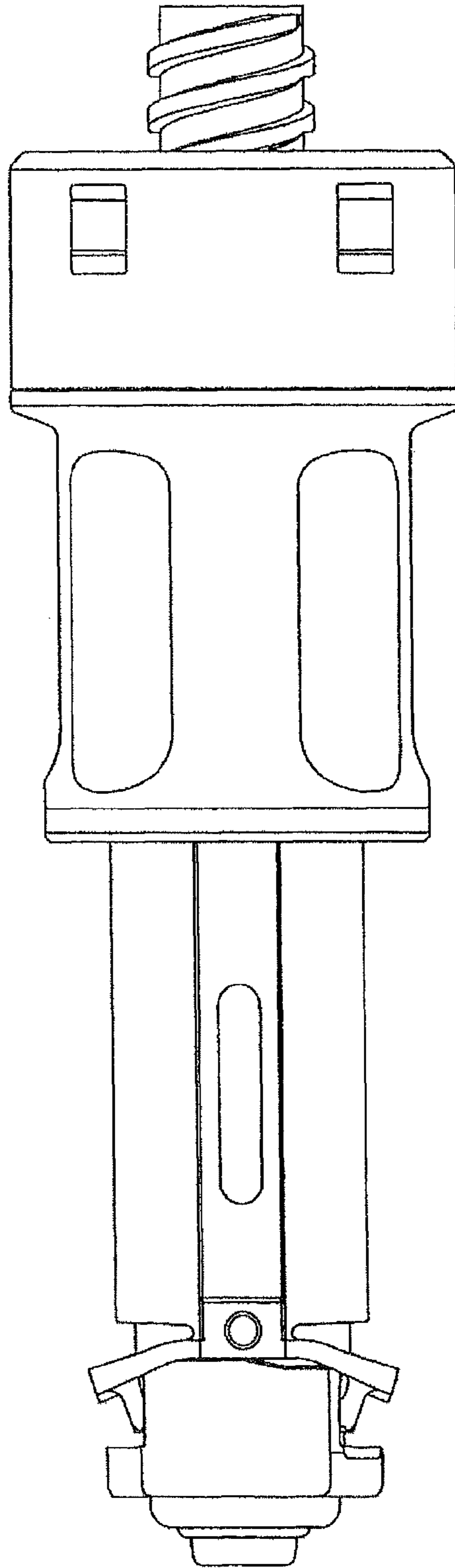


FIG. 3

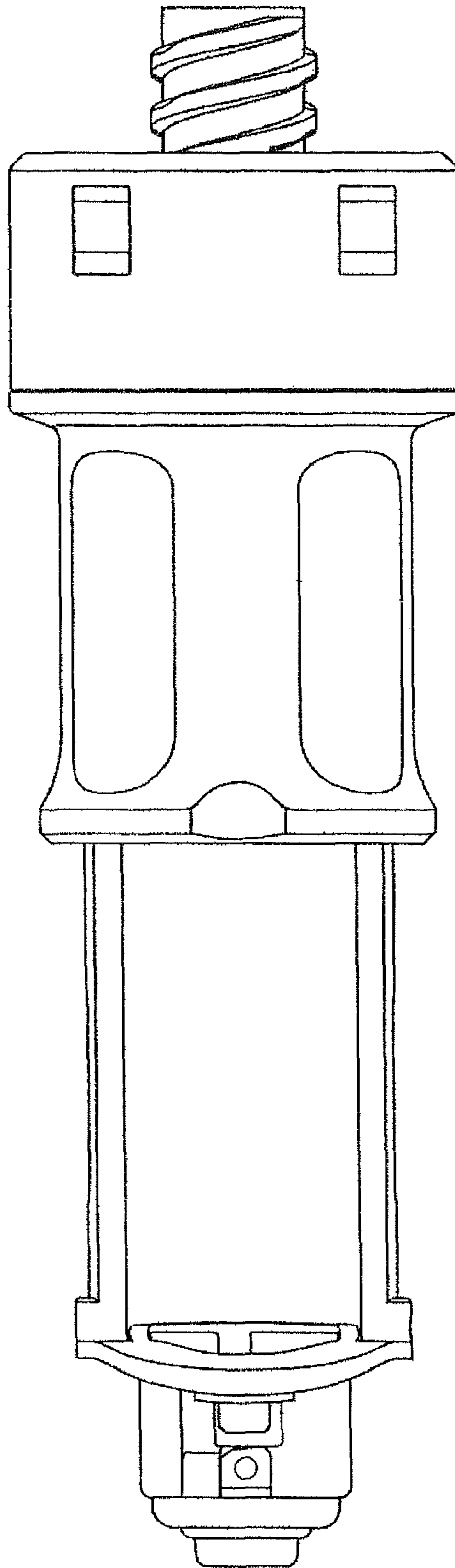


FIG. 4

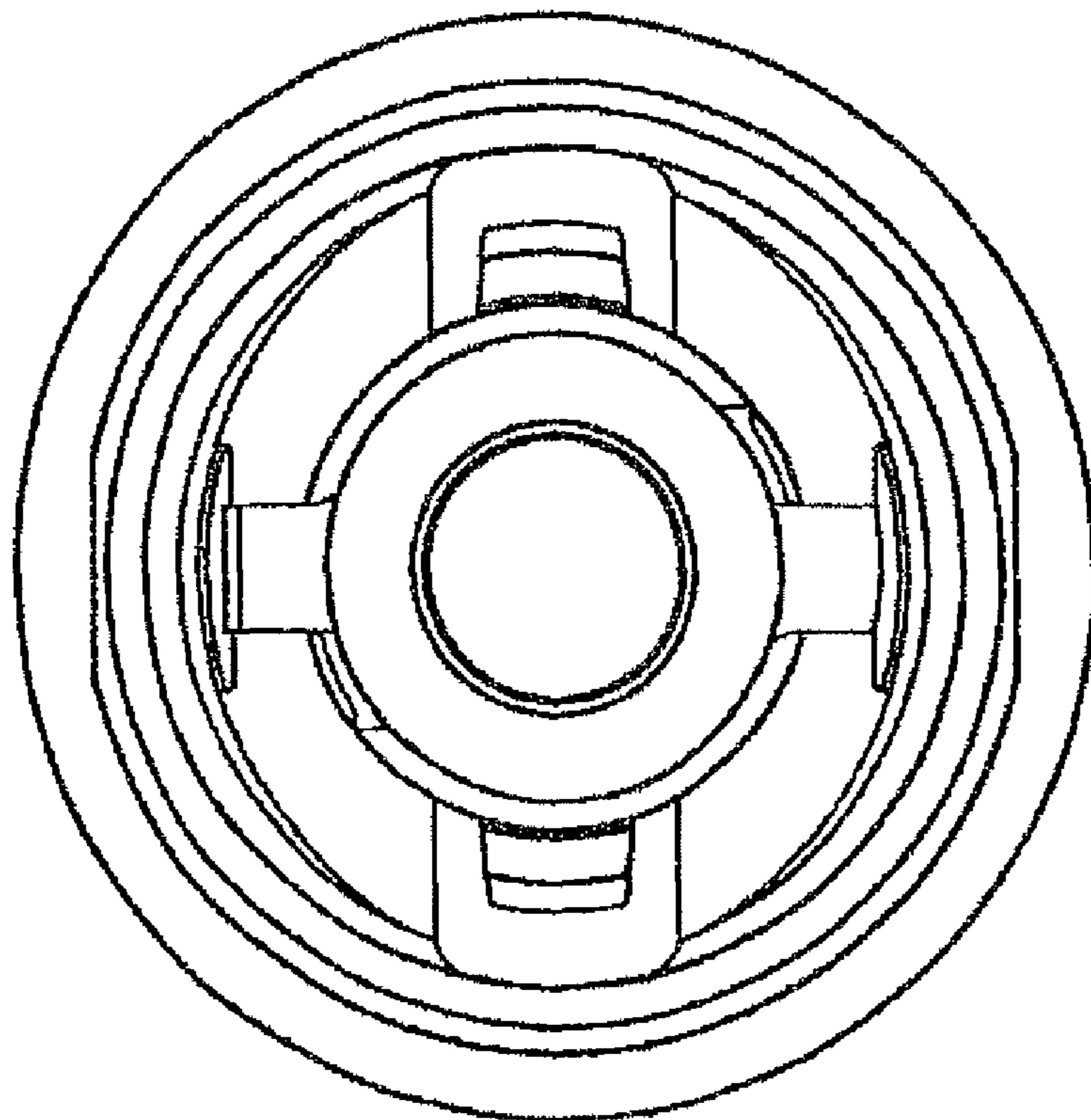


FIG. 5

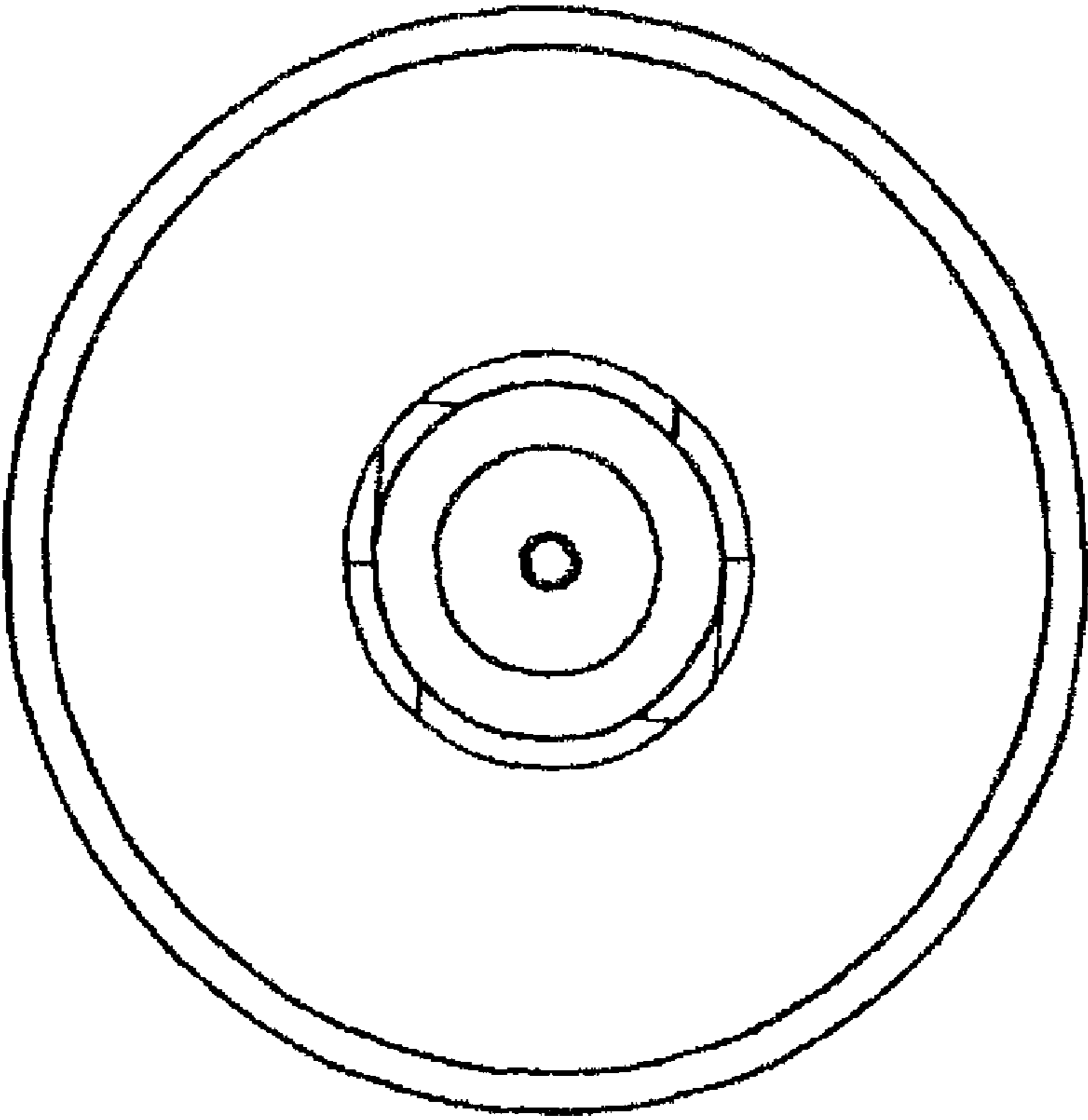


FIG. 6