



US00D639933S

(12) **United States Design Patent**
Tanguay

(10) **Patent No.:** **US D639,933 S**
(45) **Date of Patent:** **** Jun. 14, 2011**

(54) **TWO-PIECE PORTABLE URINAL DEVICE**

(75) Inventor: **Eric Tanguay**, Candiac (CA)

(73) Assignee: **Hygie Canada Inc.**, Brossard, (Quebec)
(CA)

(**) Term: **14 Years**

(21) Appl. No.: **29/337,807**

(22) Filed: **May 29, 2009**

(51) **LOC (9) Cl.** **24-04**

(52) **U.S. Cl.** **D24/122**

(58) **Field of Classification Search** D24/121-126,
D24/117, 224, 132; D23/274, 302, 295,
D23/309, 200; 4/144.1-144.4, 459, 460;
604/329, 317, 318, 334; 600/573, 574; D9/443,
D9/440; D32/54

See application file for complete search history.

(56) **References Cited**

U.S. PATENT DOCUMENTS

3,161,891	A	12/1964	Bauman	
3,177,500	A	4/1965	Bauman	
3,679,125	A	7/1972	Forance et al.	
3,920,179	A	11/1975	Hall	
3,921,234	A	11/1975	Mracek et al.	
D259,511	S	6/1981	Peterson	
4,305,161	A	12/1981	Diaz	
D273,133	S *	3/1984	Babic et al.	D24/117
4,610,039	A	9/1986	Stern	
D286,569	S	11/1986	Nakao et al.	
D287,324	S	12/1986	Schmidt	
4,683,598	A	8/1987	Jones	
4,707,864	A	11/1987	Ikematsu et al.	
D297,462	S	8/1988	Meunchen	
D322,940	S *	1/1992	Rivera	D9/443
D342,784	S *	12/1993	Passiak et al.	D24/123
D349,241	S *	8/1994	Isacson	D9/443
5,409,473	A	4/1995	Rosenshein	
5,571,095	A	11/1996	Lu	
D379,302	S *	5/1997	Rodman	D9/440
D389,240	S	1/1998	Corona	

5,778,461	A	7/1998	Attaway	
D399,007	S	9/1998	Jones et al.	
D399,308	S	10/1998	Garlock	
5,816,631	A *	10/1998	Kochan	D9/443
5,842,233	A	12/1998	Broden	
D418,060	S *	12/1999	De Villiers	D9/443
6,295,831	B1	10/2001	Watson	
D464,729	S	10/2002	Rehrig	
D476,787	S *	7/2003	Templeton	D32/54
D488,226	S *	4/2004	MacDonald et al.	D24/122
D489,261	S *	5/2004	Doelling	D32/54
D497,981	S *	11/2004	Call	D23/302
D543,274	S *	5/2007	Takahashi	D24/122
D567,368	S	4/2008	Guptill	
D580,049	S	11/2008	Tanguay	
D583,933	S *	12/2008	Finney et al.	D24/121

FOREIGN PATENT DOCUMENTS

EP	0031396	5/1980
EP	0549850	7/1993
EP	0948304	7/1997
WO	9926868	6/1999

* cited by examiner

Primary Examiner — David Muller

(74) *Attorney, Agent, or Firm* — Ogilvy Renault, LLP

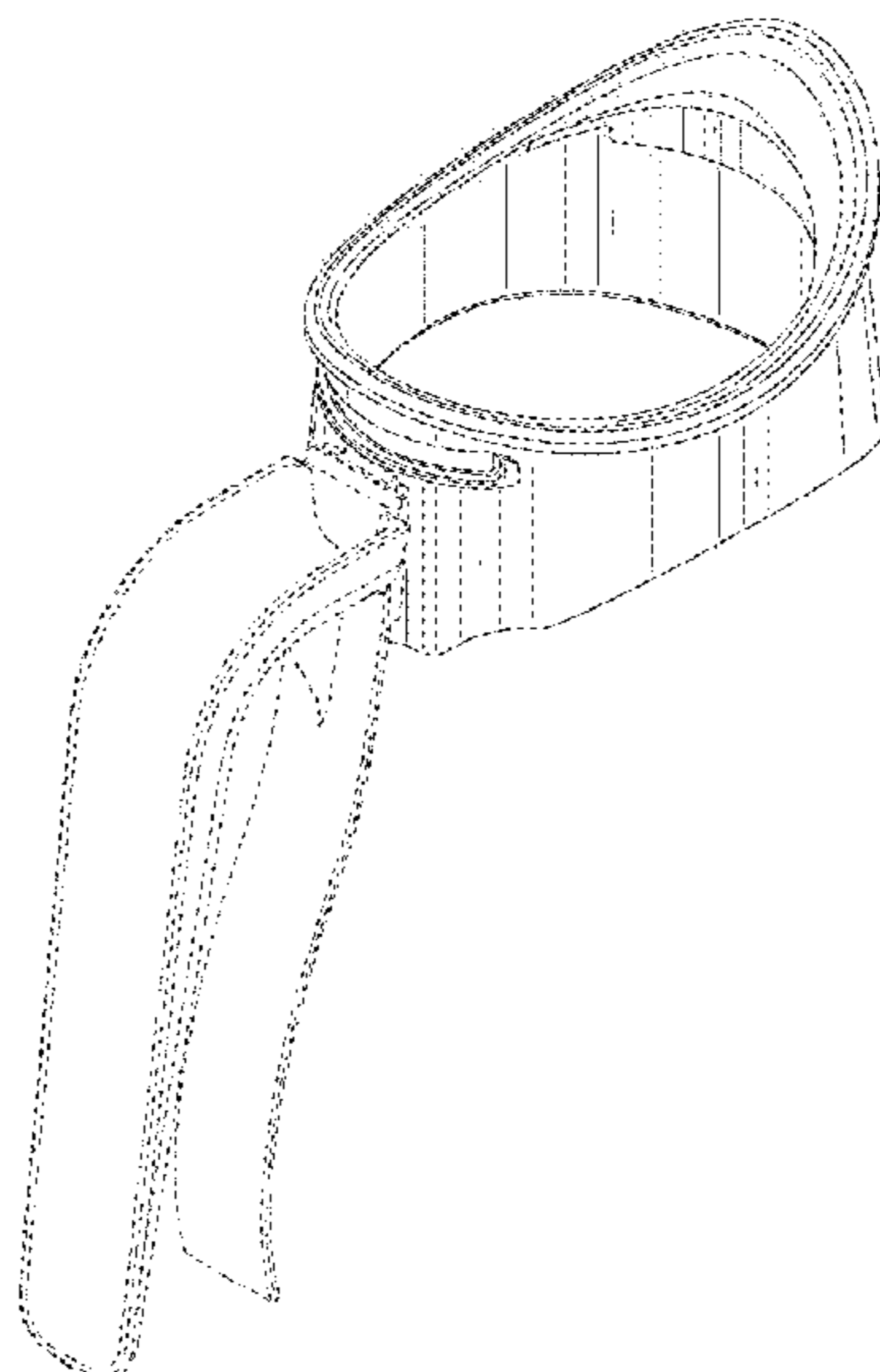
(57) **CLAIM**

The ornamental design for a two-piece portable urinal device, as shown and described.

DESCRIPTION

FIG. 1 is a perspective view of a first embodiment thereof; FIG. 2 is a rear view thereof; FIG. 3 is a front view thereof; FIG. 4 is a right side view thereof; FIG. 5 is a left side view thereof; FIG. 6 is a top view thereof; FIG. 7 is a bottom view thereof; and, FIG. 8 is a perspective view of a second embodiment thereof. The parts shown in broken lines are environmental only and form no part of the claimed design.

1 Claim, 8 Drawing Sheets



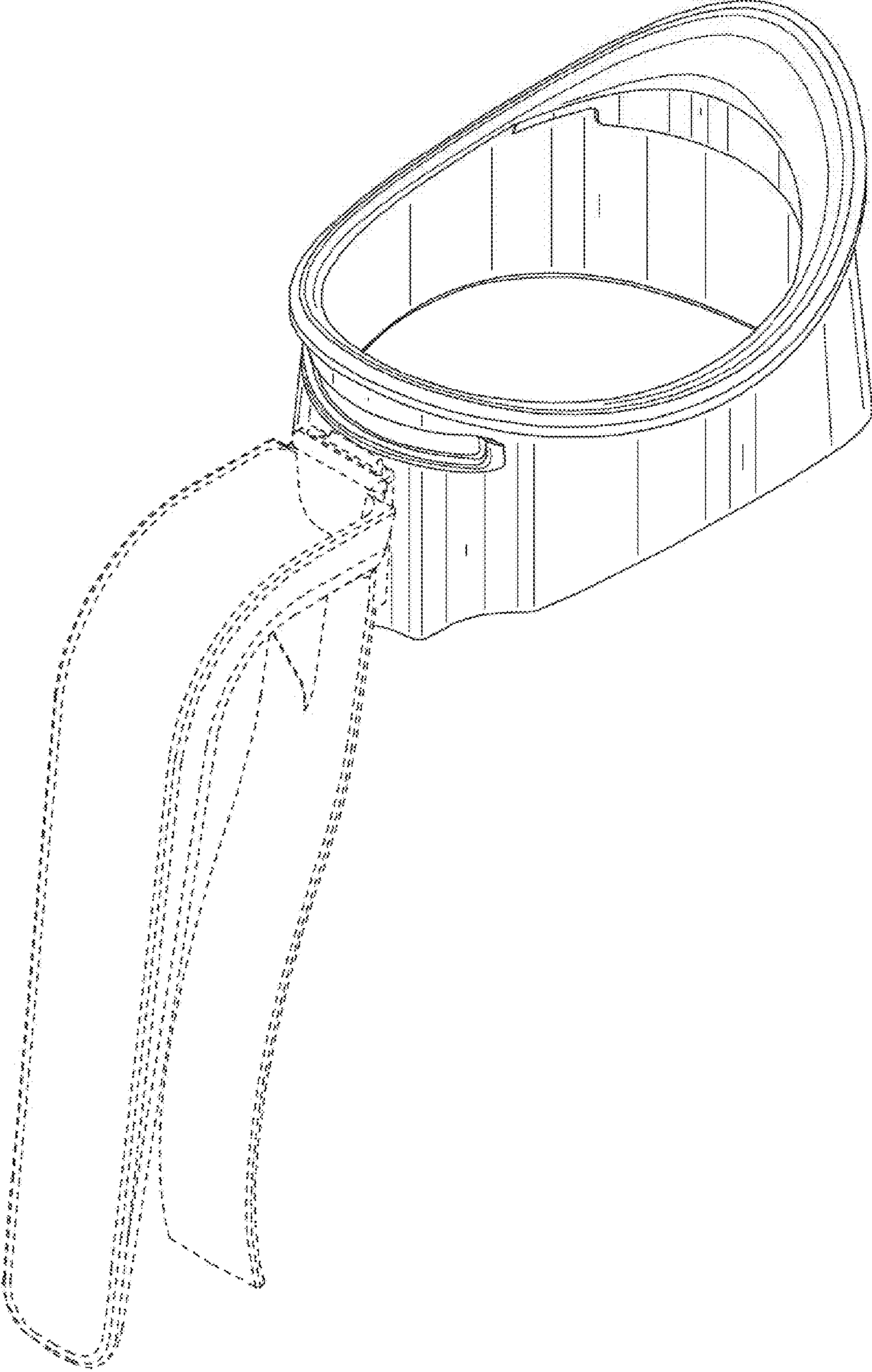


FIG. 1

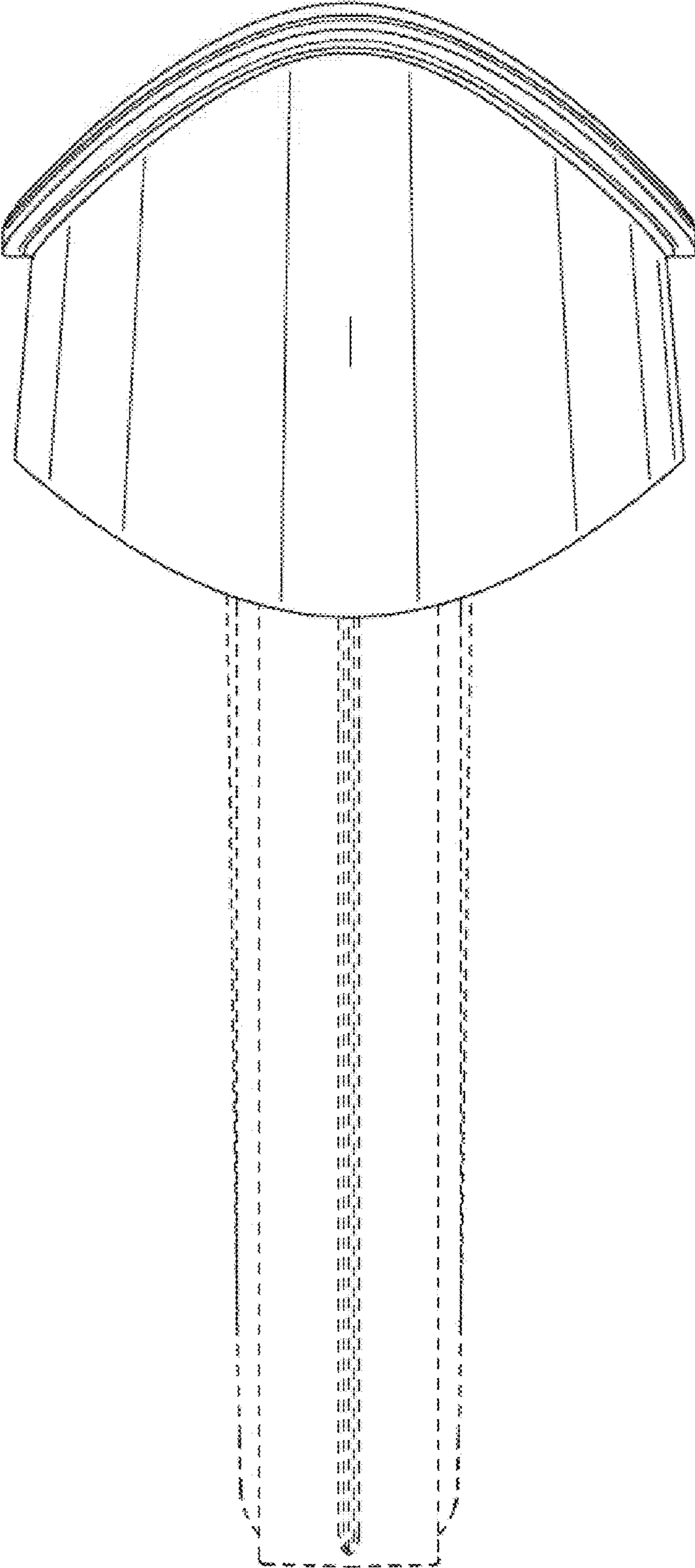


FIG. 2

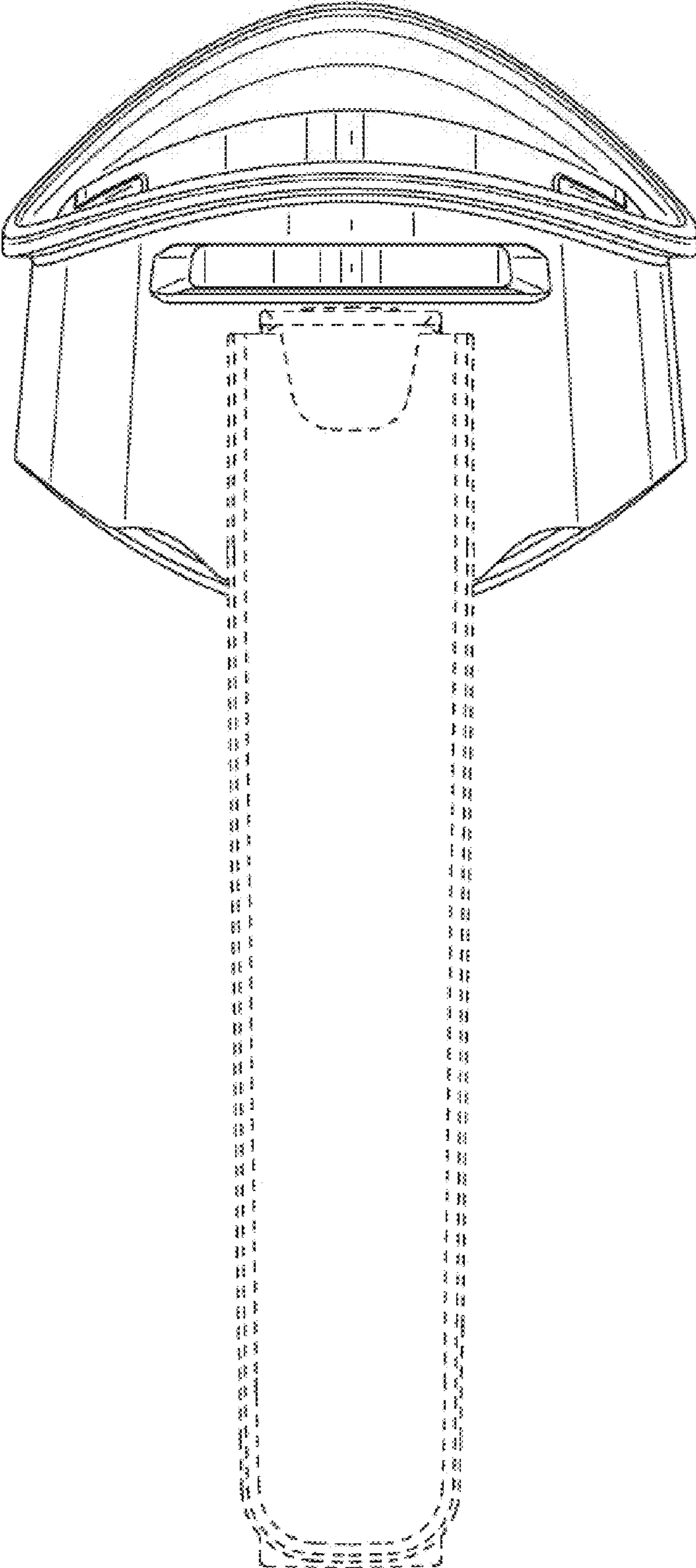


FIG. 3

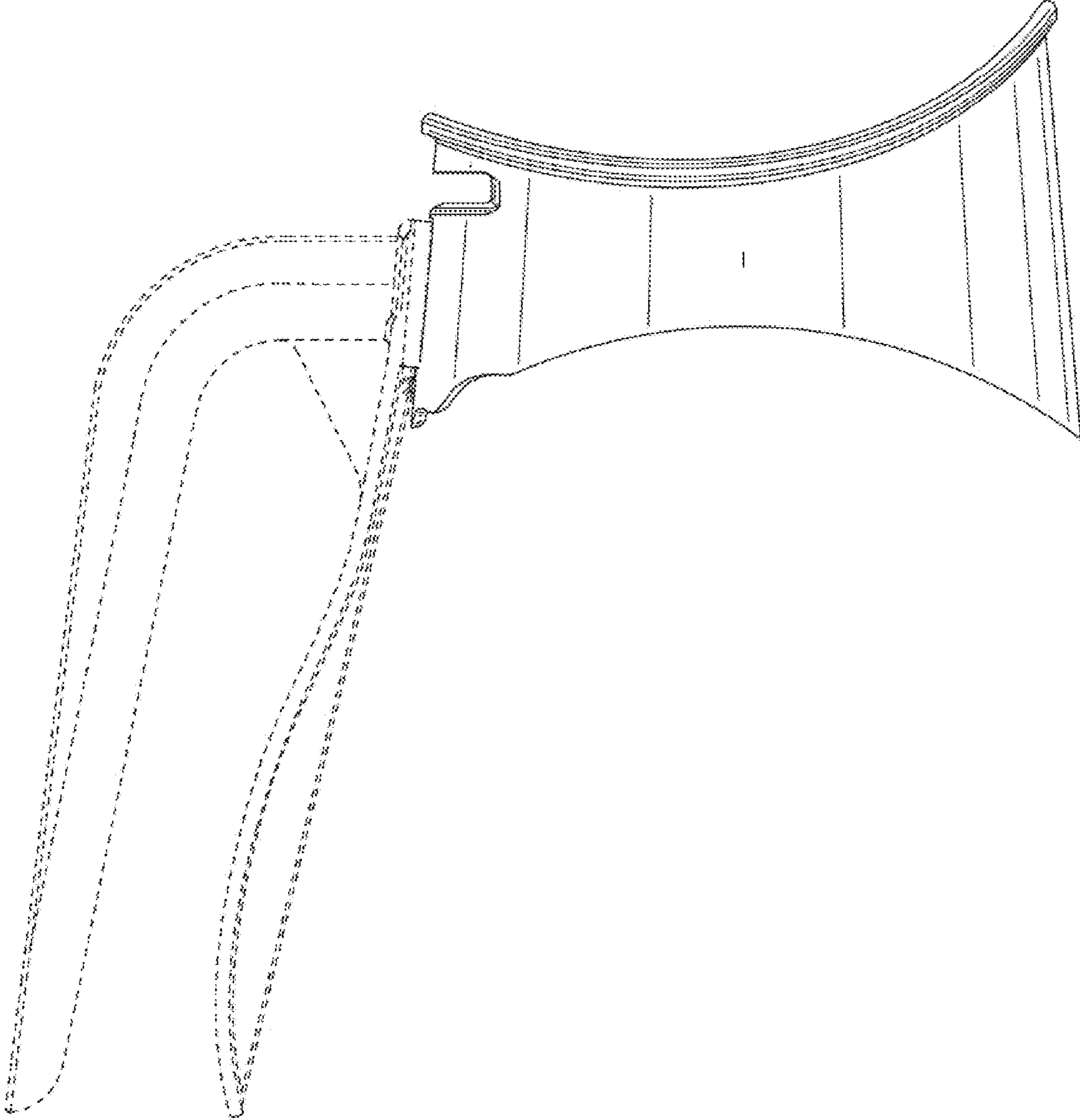


FIG. 4

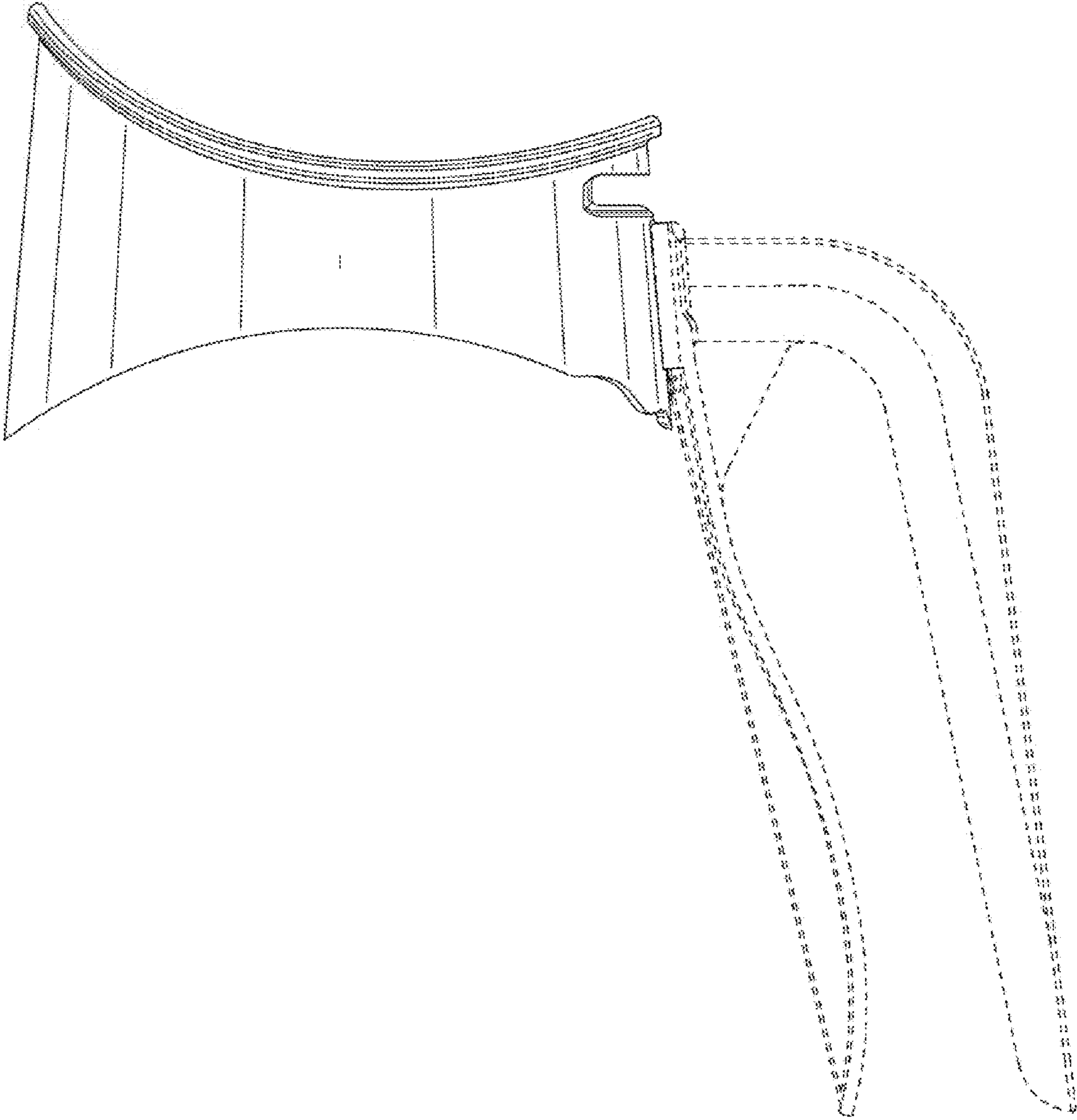


FIG. 5

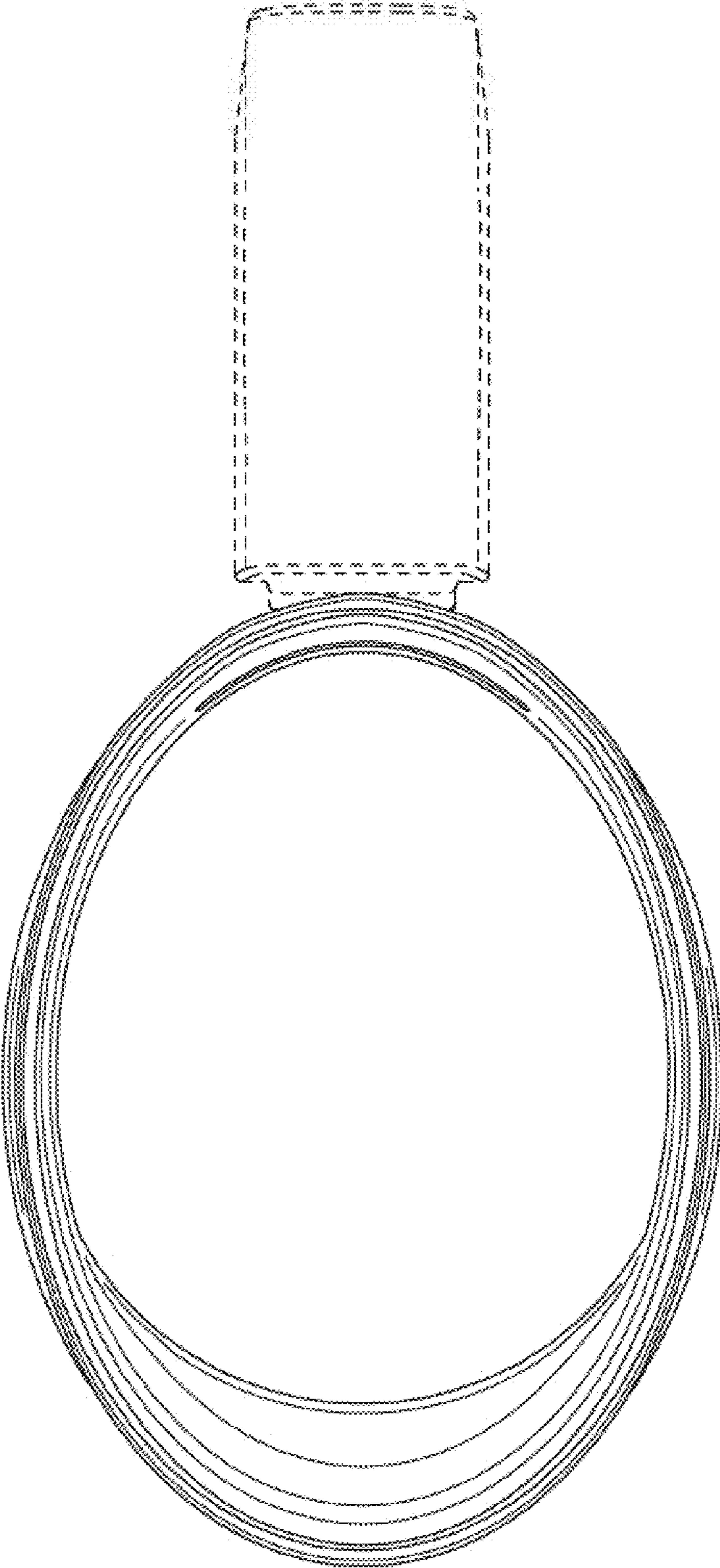


FIG. 6

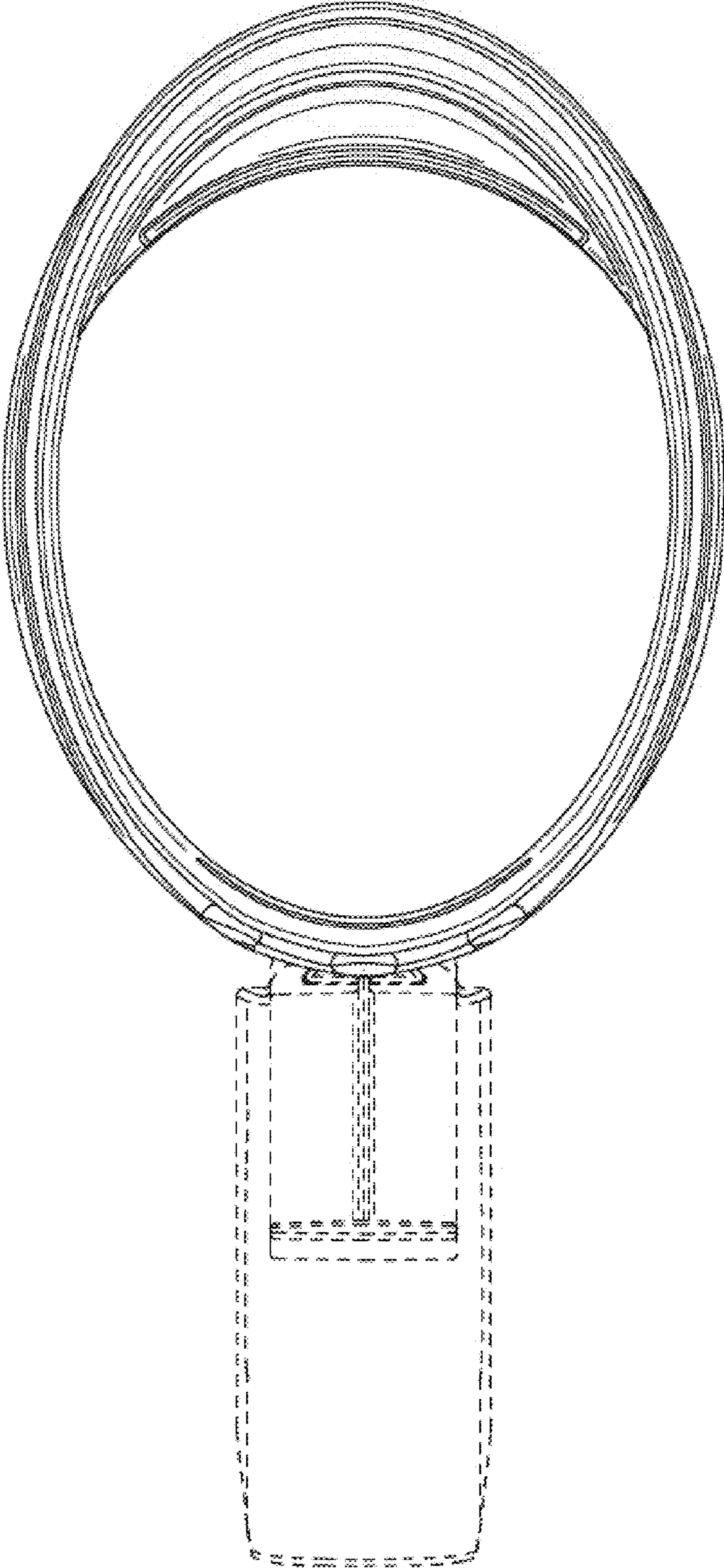


FIG. 7

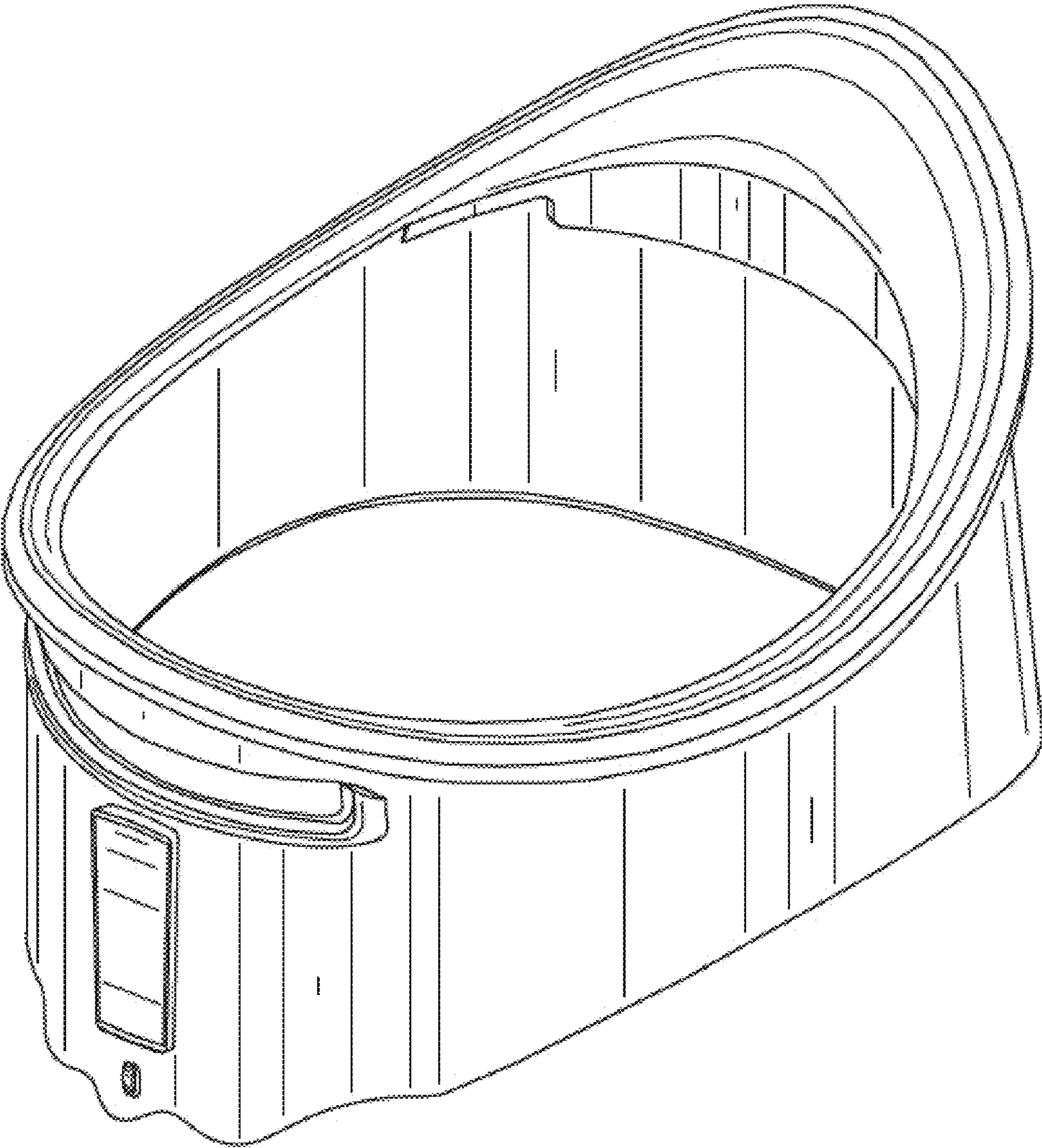


FIG. 8