

US00D639927S

(12) **United States Design Patent**
Frampton

(10) **Patent No.:** **US D639,927 S**

(45) **Date of Patent:** **** Jun. 14, 2011**

(54) **FAN ASSEMBLY**

D517,200 S 3/2006 Frampton
D517,201 S 3/2006 Gajewski
D595,834 S * 7/2009 Frampton D23/411

* cited by examiner

(75) Inventor: **Thomas C. Frampton**, Zionsville, IN (US)

Primary Examiner — Lisa P Lichtenstein
(74) *Attorney, Agent, or Firm* — Maginot, Moore & Beck

(73) Assignee: **Fanimation, Inc.**, Zionsville, IN (US)

(57) **CLAIM**
The ornamental design for a fan assembly, as shown and described.

(**) Term: **14 Years**

DESCRIPTION

(21) Appl. No.: **29/329,070**

Cross reference is made to copending U.S. patent applications: Ser. No. 29/294,062, entitled "Fan Assembly" by Thomas C. Frampton, Ser. No. 29/294,067, entitled "Fan Assembly" by Thomas C. Frampton, Ser. No. 29/329,067, entitled "Fan Assembly" by Thomas C. Frampton, Ser. No. 29/329,072, entitled "Fan Assembly" by Thomas C. Frampton, all of which are assigned to the same assignee as the present invention.

(22) Filed: **Dec. 8, 2008**

Related U.S. Application Data

(62) Division of application No. 29/294,053, filed on Dec. 20, 2007, now Pat. No. Des. 595,834.

(51) **LOC (9) Cl.** **23-04**

(52) **U.S. Cl.** **D23/411**

(58) **Field of Classification Search** D23/377, D23/379, 385, 411, 413; 416/5
See application file for complete search history.

FIG. 1 is top perspective view of a fan assembly showing my new design;
FIG. 2 is a front elevational view showing the design for the fan assembly of FIG. 1;
FIG. 3 is a rear elevational view showing the design for the fan assembly of FIG. 1;
FIG. 4 is a left side elevational view showing the design for the fan assembly of FIG. 1;
FIG. 5 is a right side elevational view showing the design for the fan assembly of FIG. 1;
FIG. 6 is a bottom plan view showing the design for the fan assembly of FIG. 1; and,
FIG. 7 is a top plan view showing the design for the fan assembly of FIG. 1.

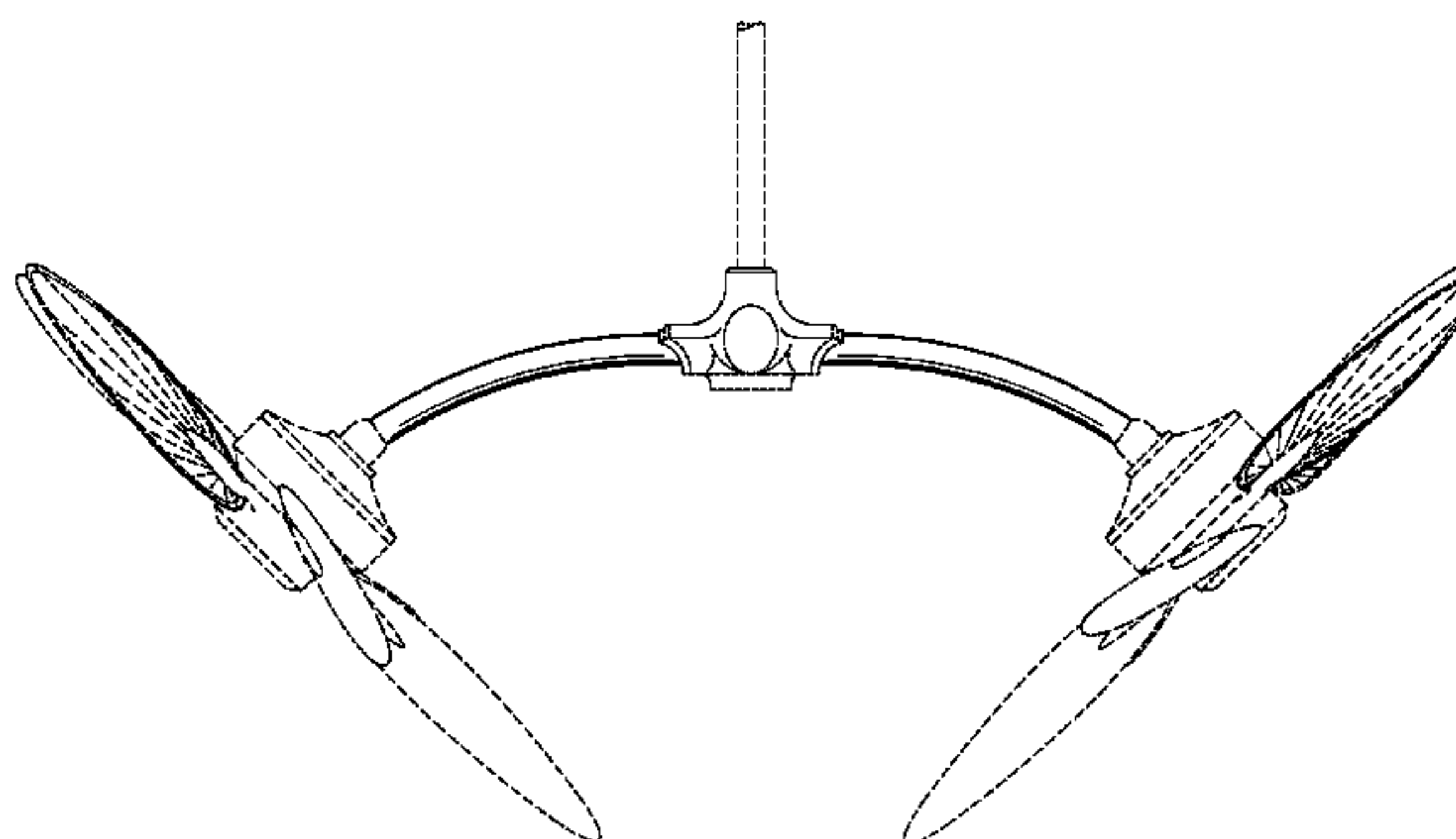
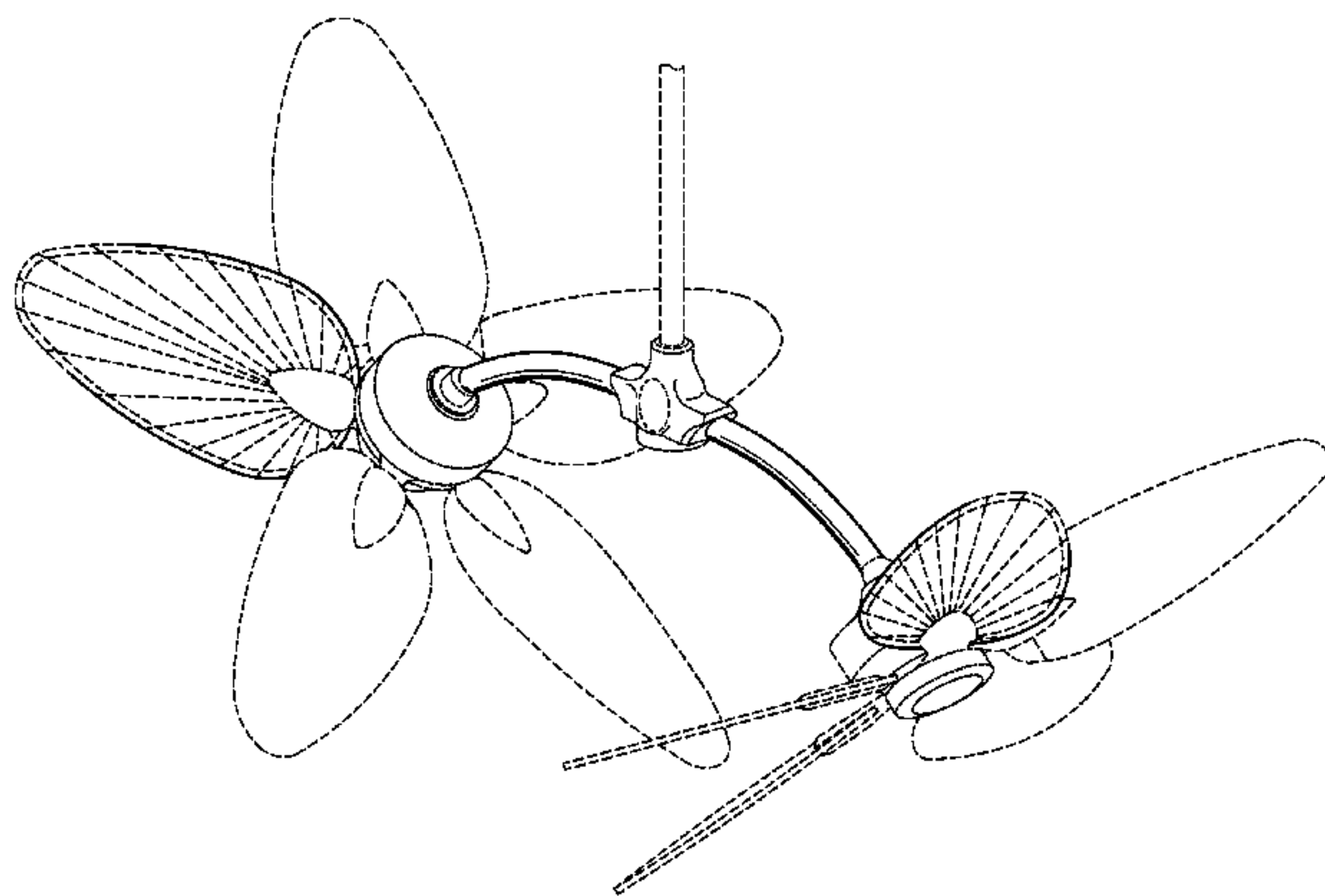
(56) **References Cited**

U.S. PATENT DOCUMENTS

1,334,781 A	3/1920	Morse
D313,467 S	1/1991	Frampton
D451,997 S	12/2001	Schwartz
D456,073 S	4/2002	Frampton
D460,817 S	7/2002	Frampton
D461,888 S	8/2002	Frampton
D477,662 S	7/2003	Liou
D478,975 S	8/2003	Gajewski
D505,198 S	5/2005	Liu
6,913,443 B2	7/2005	Chen

The broken line showing of portions of the fan assembly is included for the purpose of illustrating environmental structure and forms no part of the claimed design.

1 Claim, 7 Drawing Sheets



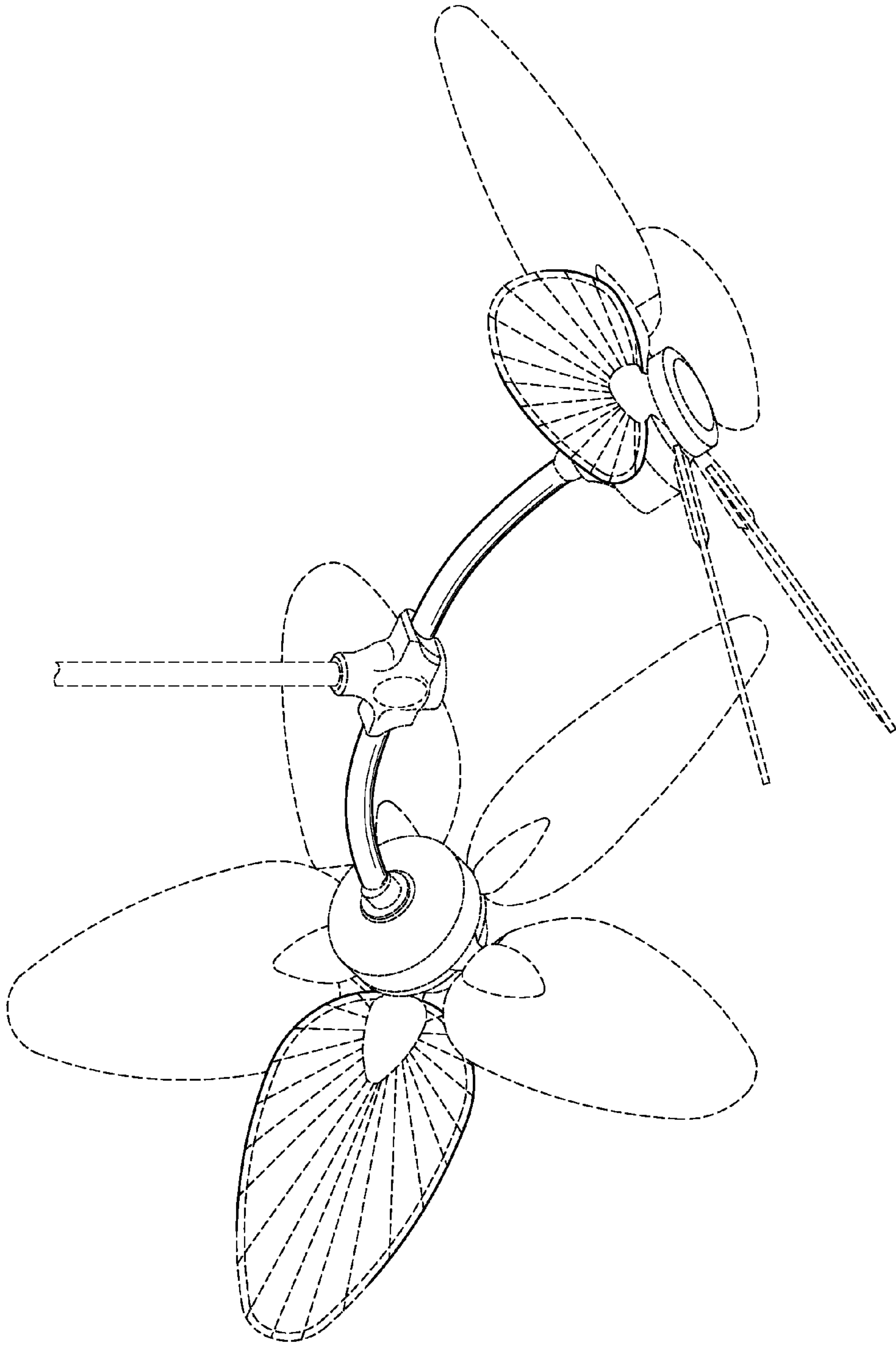


Fig. 1

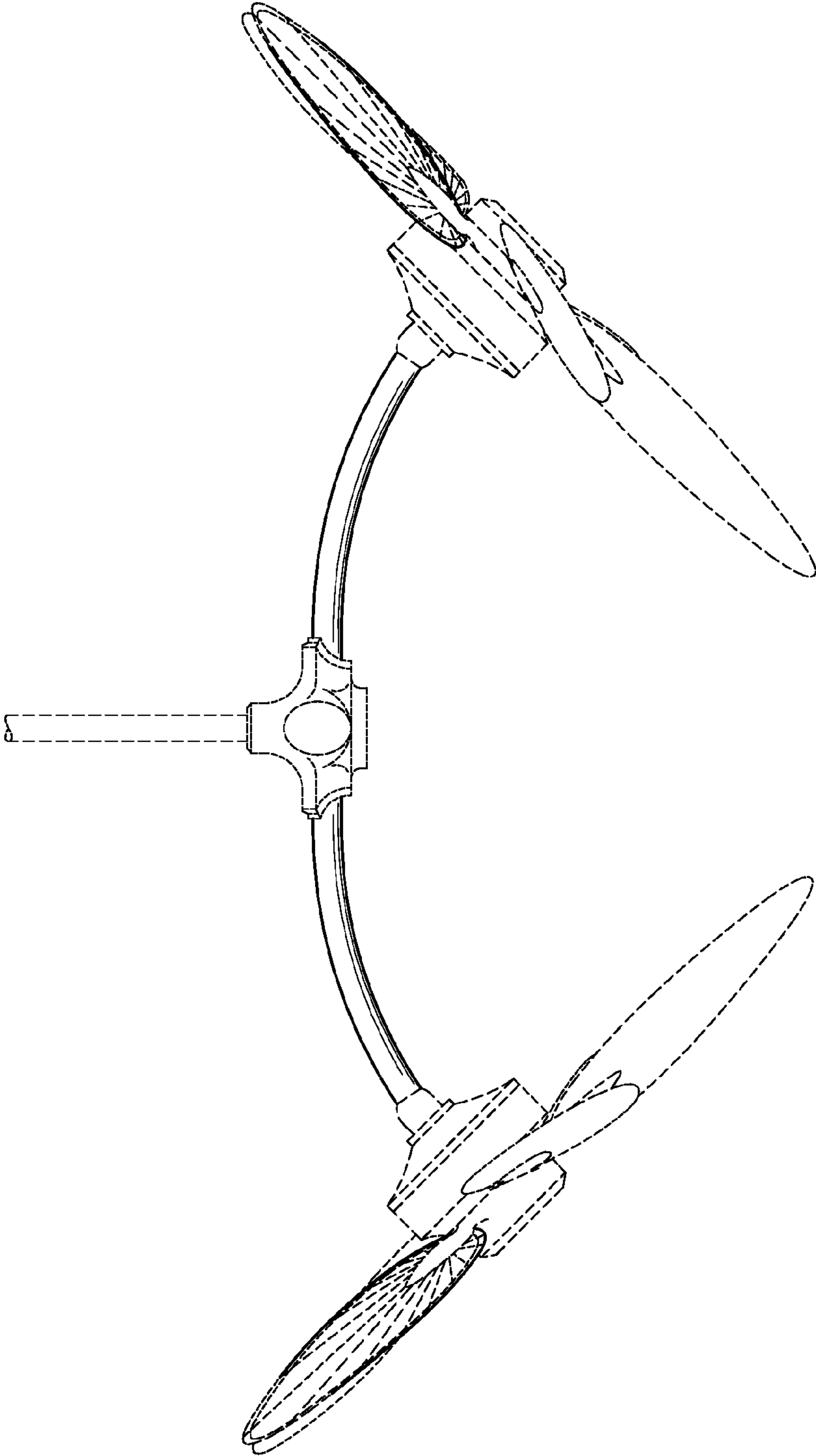


Fig. 2

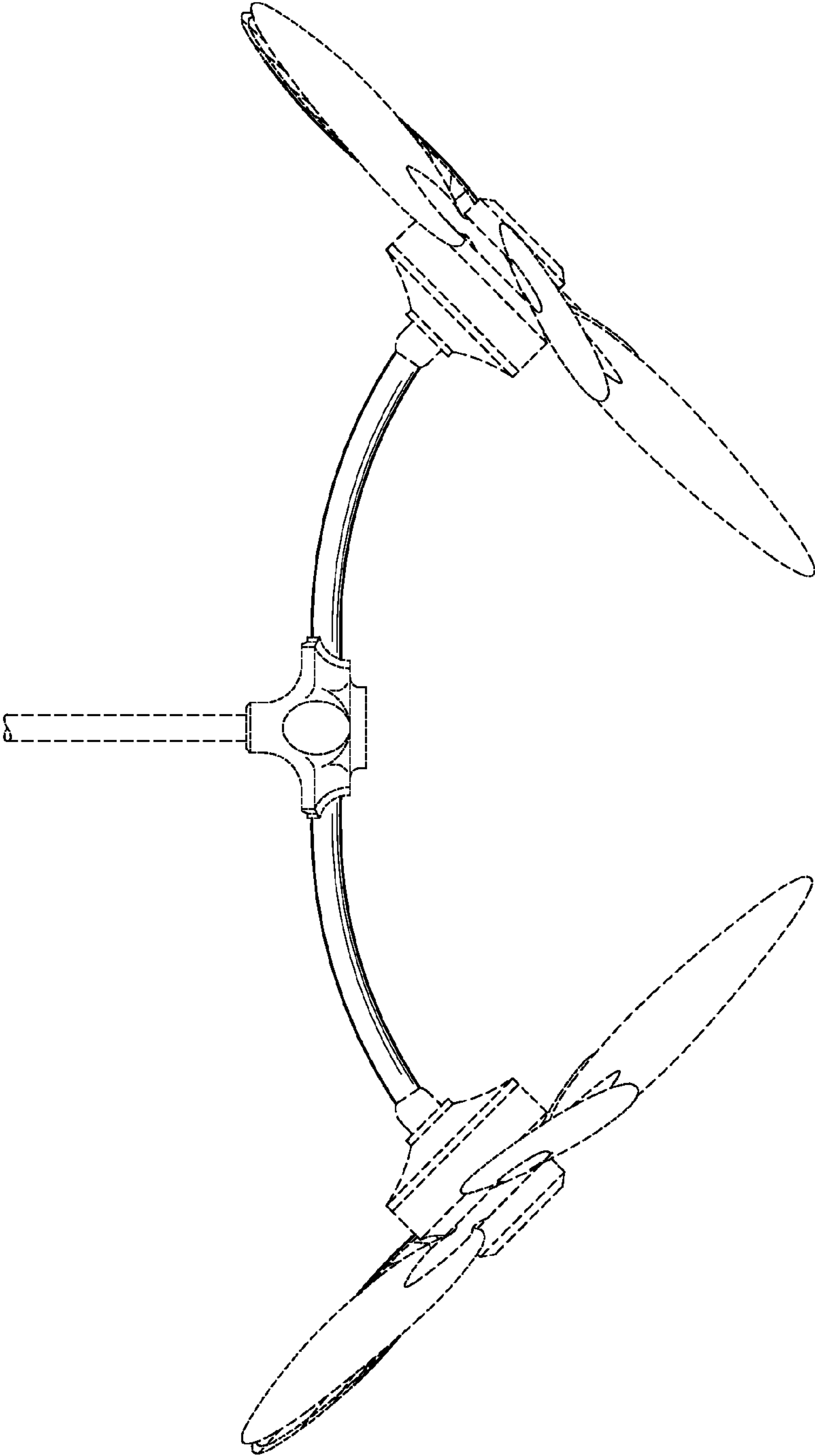


Fig. 3

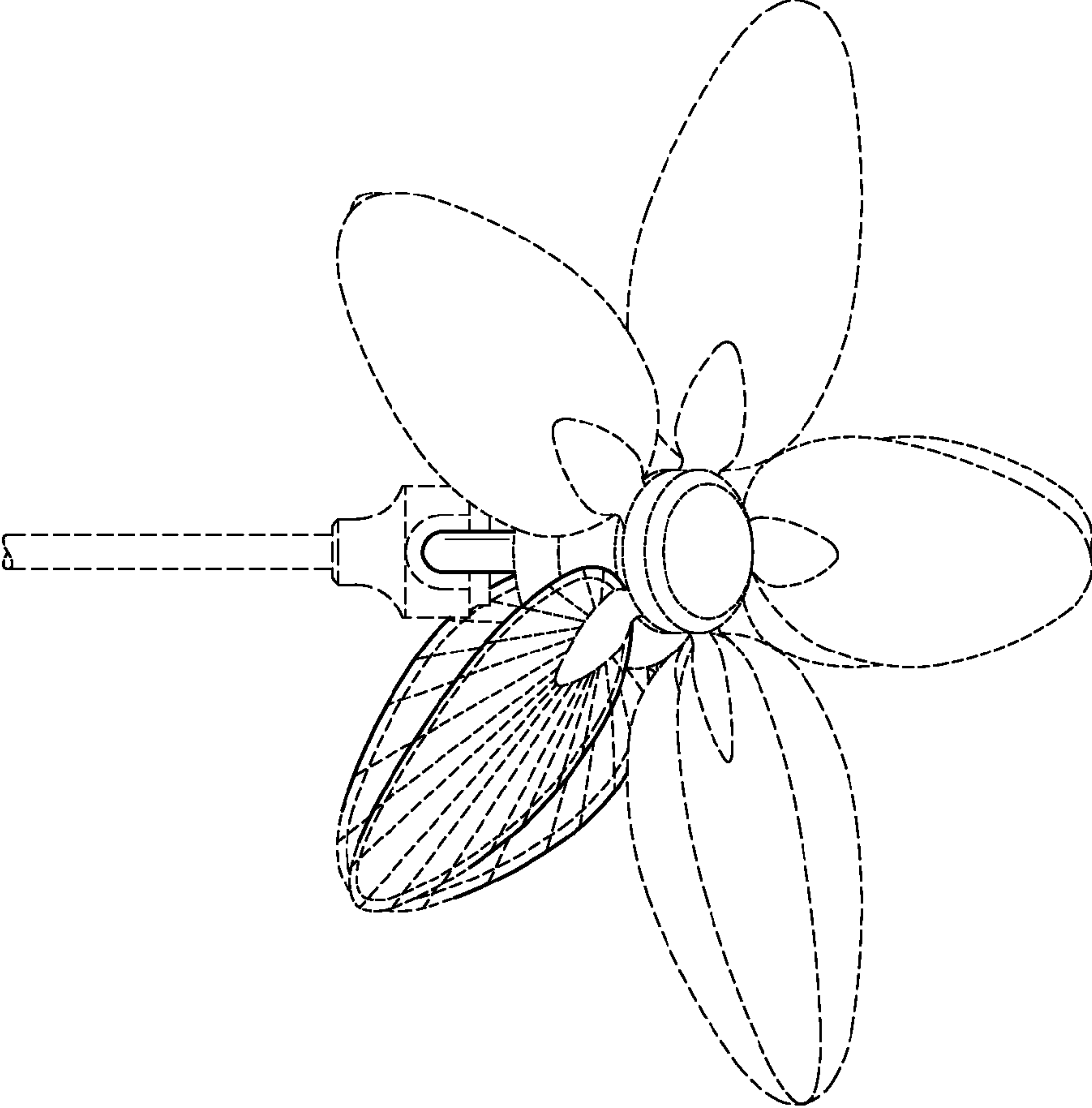


Fig. 4

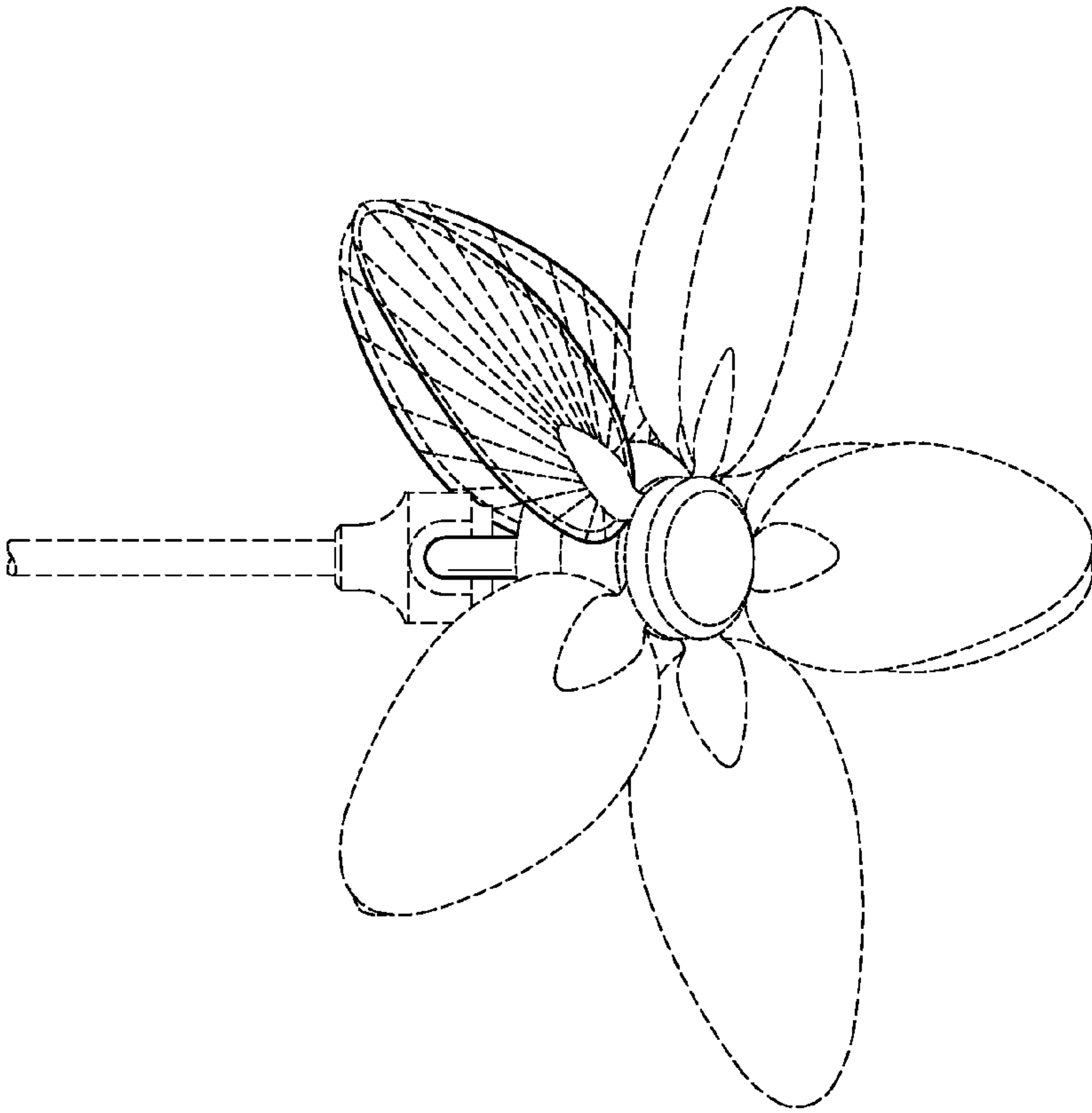


Fig. 5

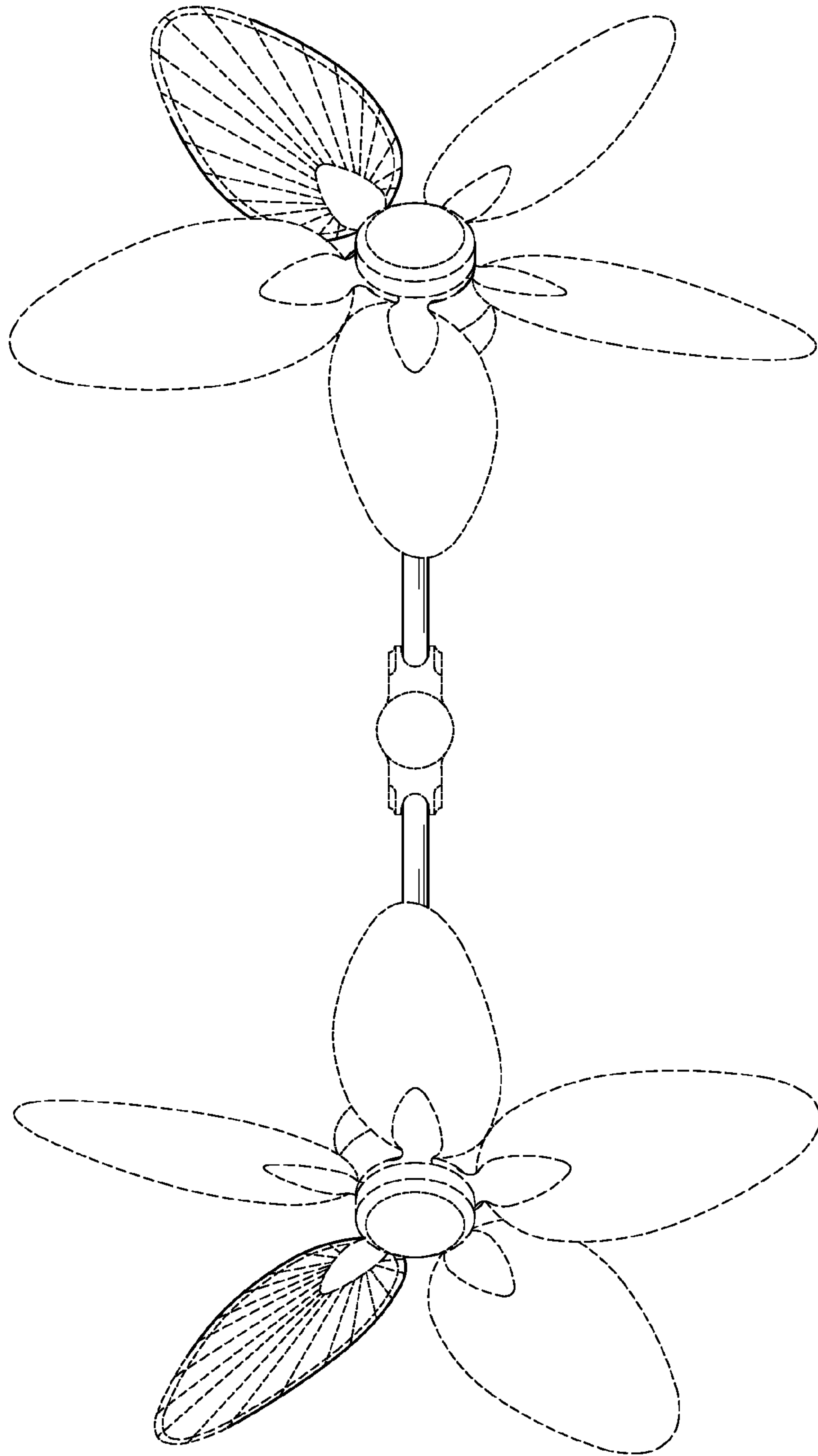


Fig. 6

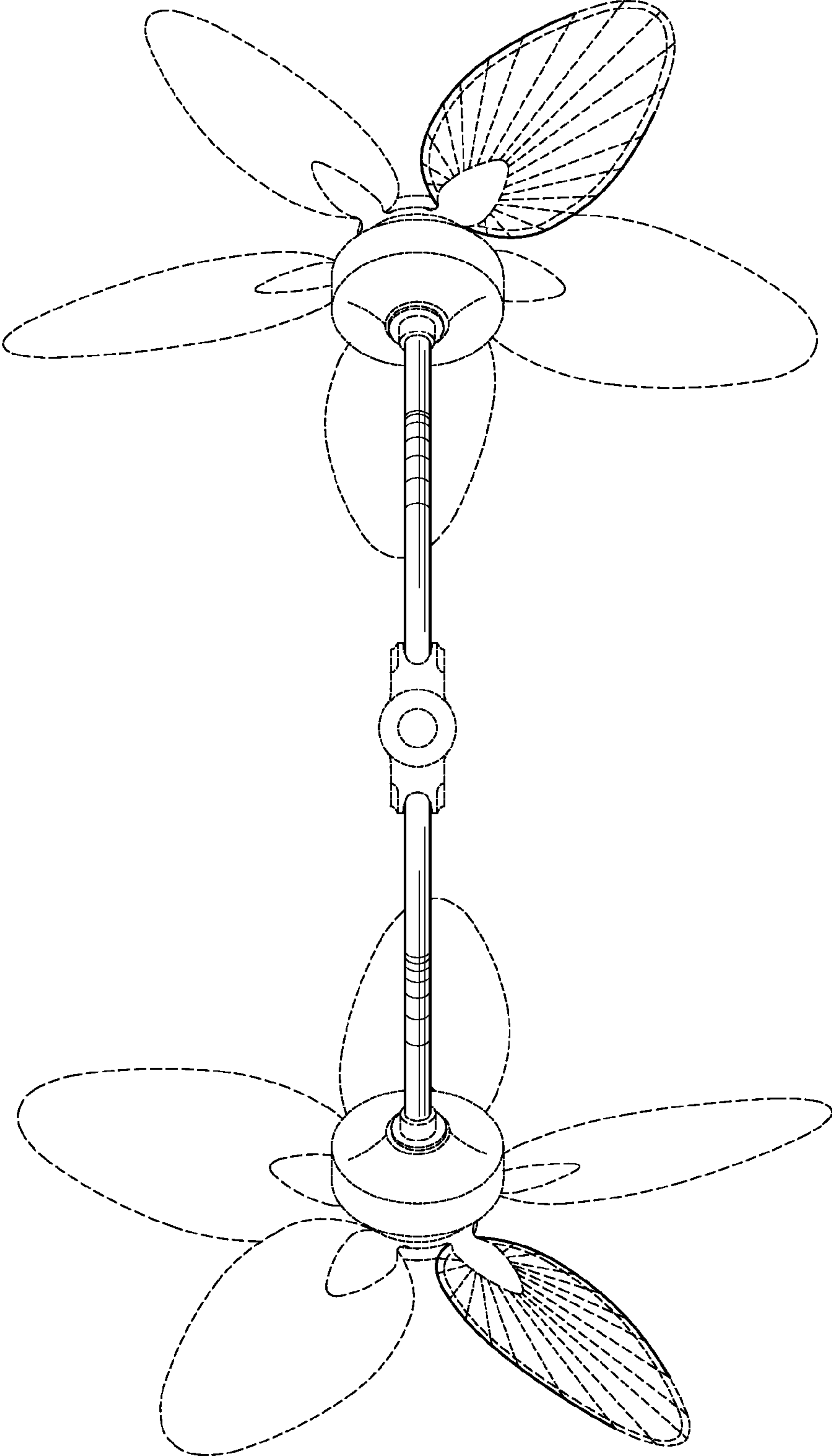


Fig. 7