



US00D639924S

(12) **United States Design Patent**  
**Winkler**

(10) **Patent No.:** **US D639,924 S**

(45) **Date of Patent:** **\*\* Jun. 14, 2011**

(54) **AXIAL FAN**

(56) **References Cited**

(75) **Inventor:** **Wolfgang Arno Winkler**, Urbanweg  
(DE)

(73) **Assignee:** **EBM-Papst St. Georgen GmbH & Co.**  
**KG**, St. Georgen (DE)

(\*\*) **Term:** **14 Years**

(21) **Appl. No.:** **29/321,816**

(22) **Filed:** **Jul. 24, 2008**

(30) **Foreign Application Priority Data**

Jan. 25, 2008 (DE) ..... 20 2008 001 613

Jan. 25, 2008 (DE) ..... 40 2008 000 715

(51) **LOC (9) Cl.** ..... **23-04**

(52) **U.S. Cl.** ..... **D23/370**

(58) **Field of Classification Search** ..... D23/370,  
D23/379, 383; 415/214.1, 213.1, 60, 66,  
415/68; 361/695

See application file for complete search history.

U.S. PATENT DOCUMENTS

D297,761 S *	9/1988	Shiraki	.....	D23/379
6,827,549 B1 *	12/2004	Hornig et al.	.....	415/68
D516,194 S *	2/2006	Oosawa et al.	.....	D23/370
D516,693 S *	3/2006	Oosawa et al.	.....	D23/370
D602,142 S *	10/2009	Nishizawa et al.	.....	D23/370

\* cited by examiner

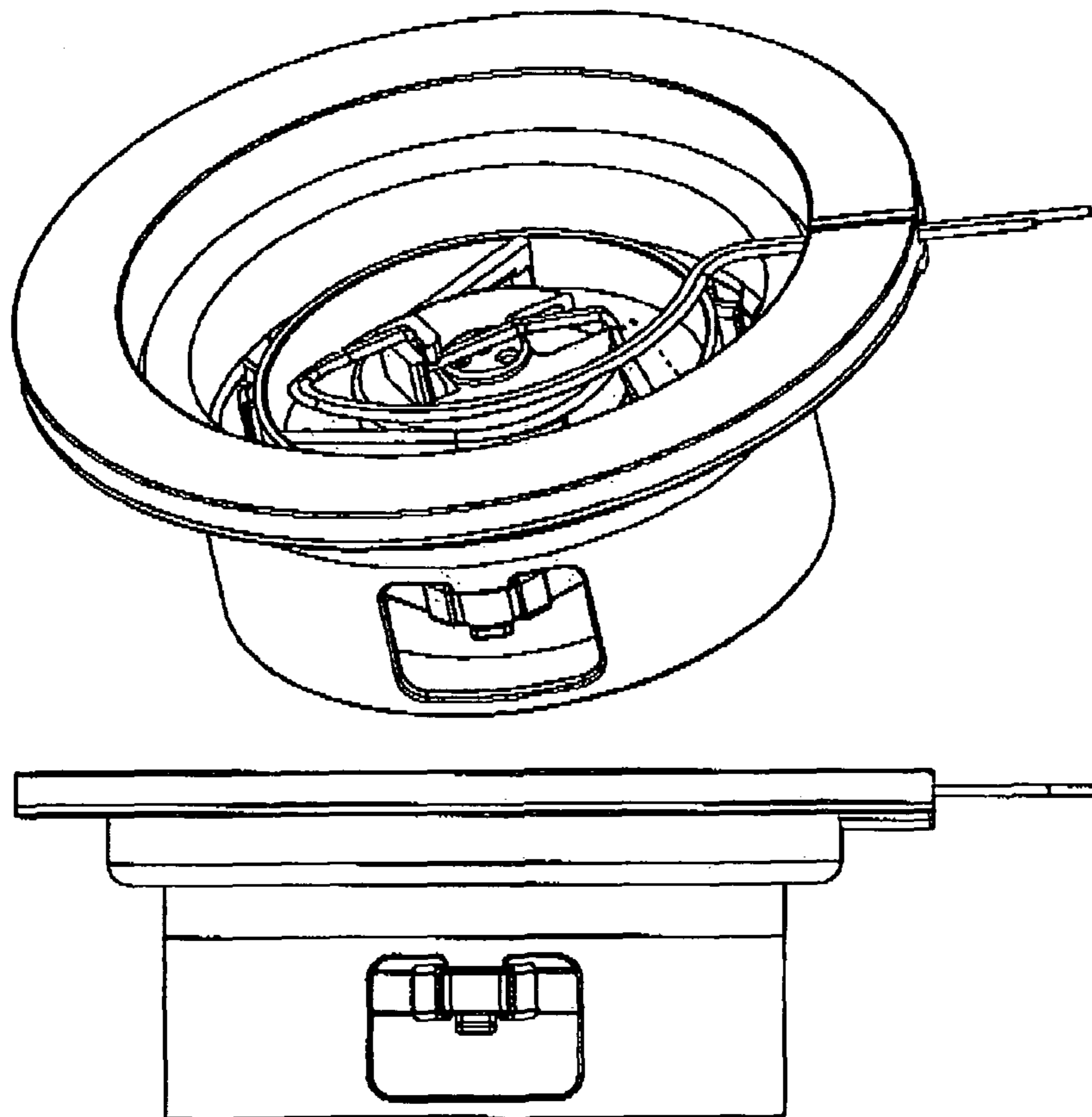
*Primary Examiner* — Lisa P Lichtenstein  
(74) *Attorney, Agent, or Firm* — Milton Oliver, Esq.; Oliver Intellectual Property LLC

(57) **CLAIM**  
The ornamental design for an axial fan, as shown and described.

**DESCRIPTION**

FIG. 1 is a perspective view of an embodiment of the axial fan of the invention;  
FIG. 2 is a front side view thereof;  
FIG. 3 is a rear side view thereof;  
FIG. 4 is a right side view thereof;  
FIG. 5 is a left side view thereof;  
FIG. 6 is a top axial view thereof; and,  
FIG. 7 is a bottom axial view thereof.  
The broken line showing of portions of an axial fan is included for the purpose of illustrating environmental structure and forms no part of the claimed design.

**1 Claim, 7 Drawing Sheets**



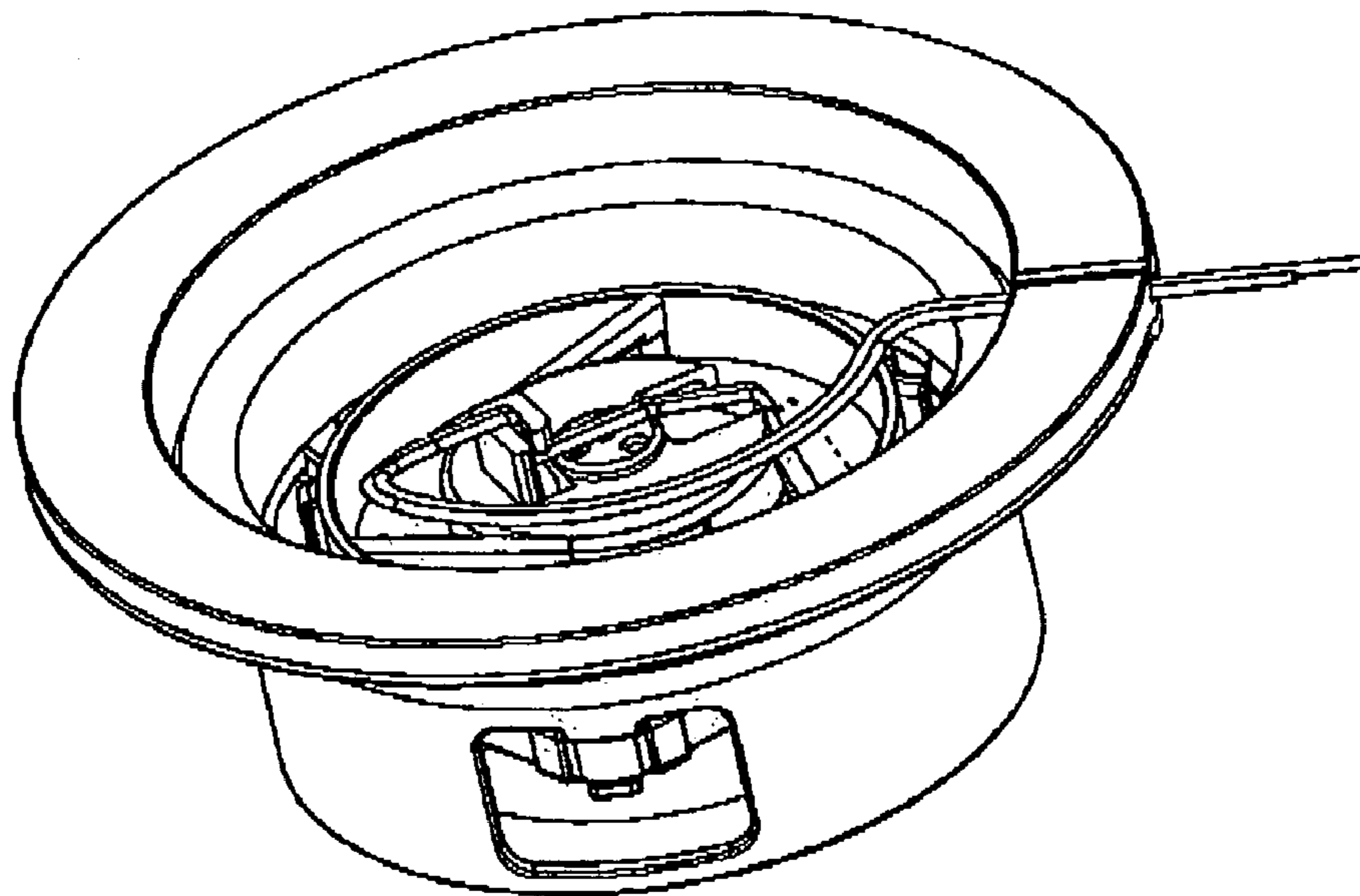


FIG. 1

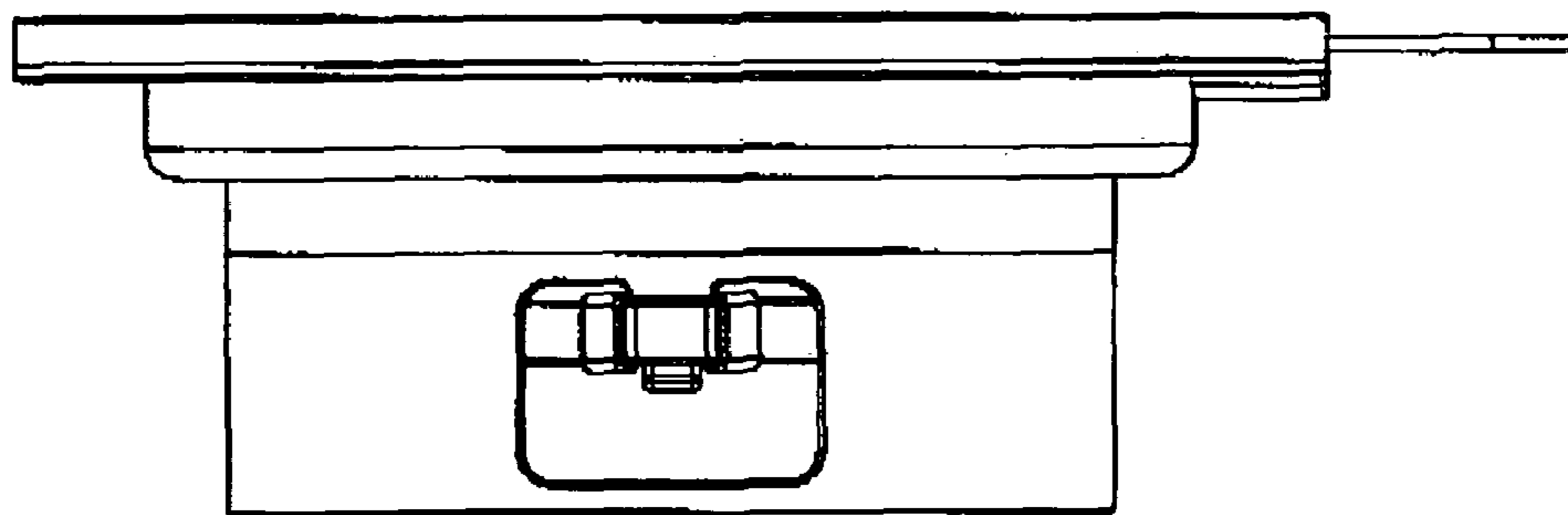


FIG. 2

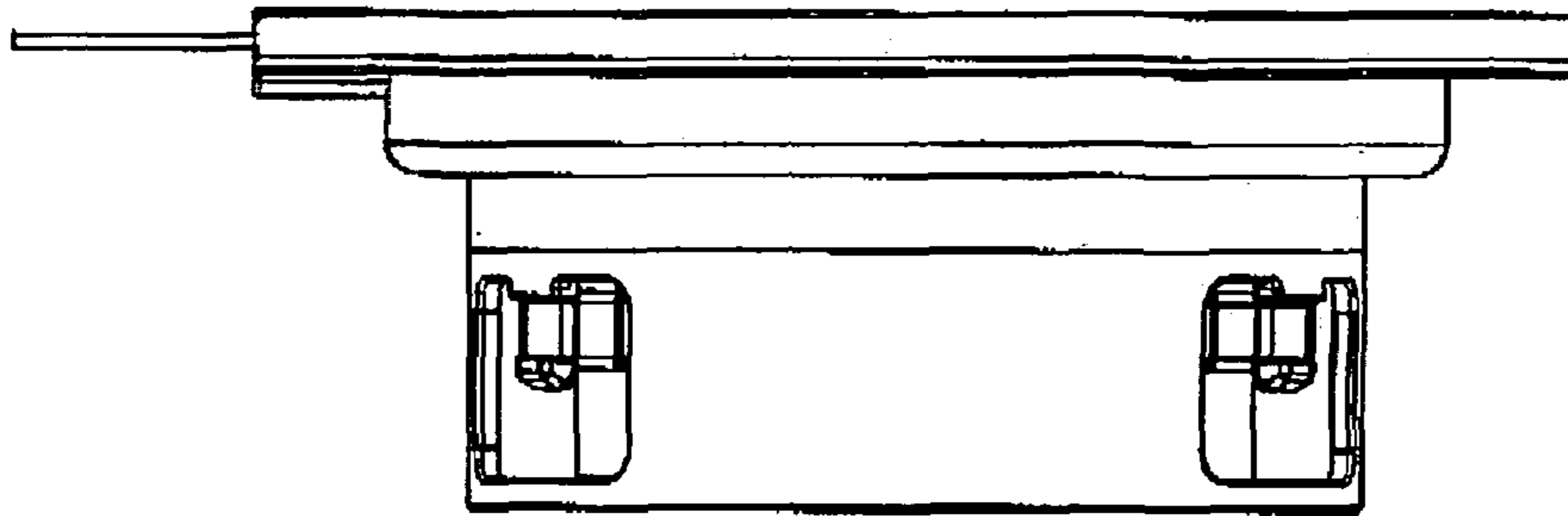


FIG. 3

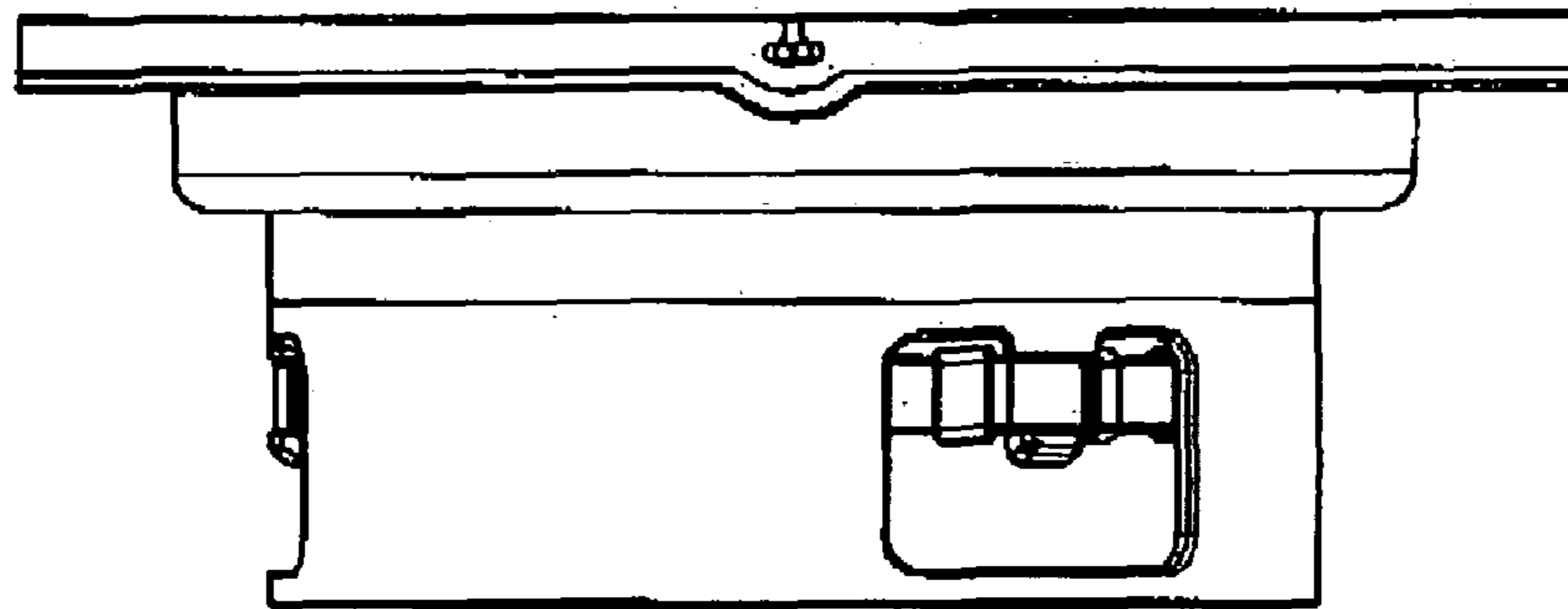


FIG. 4

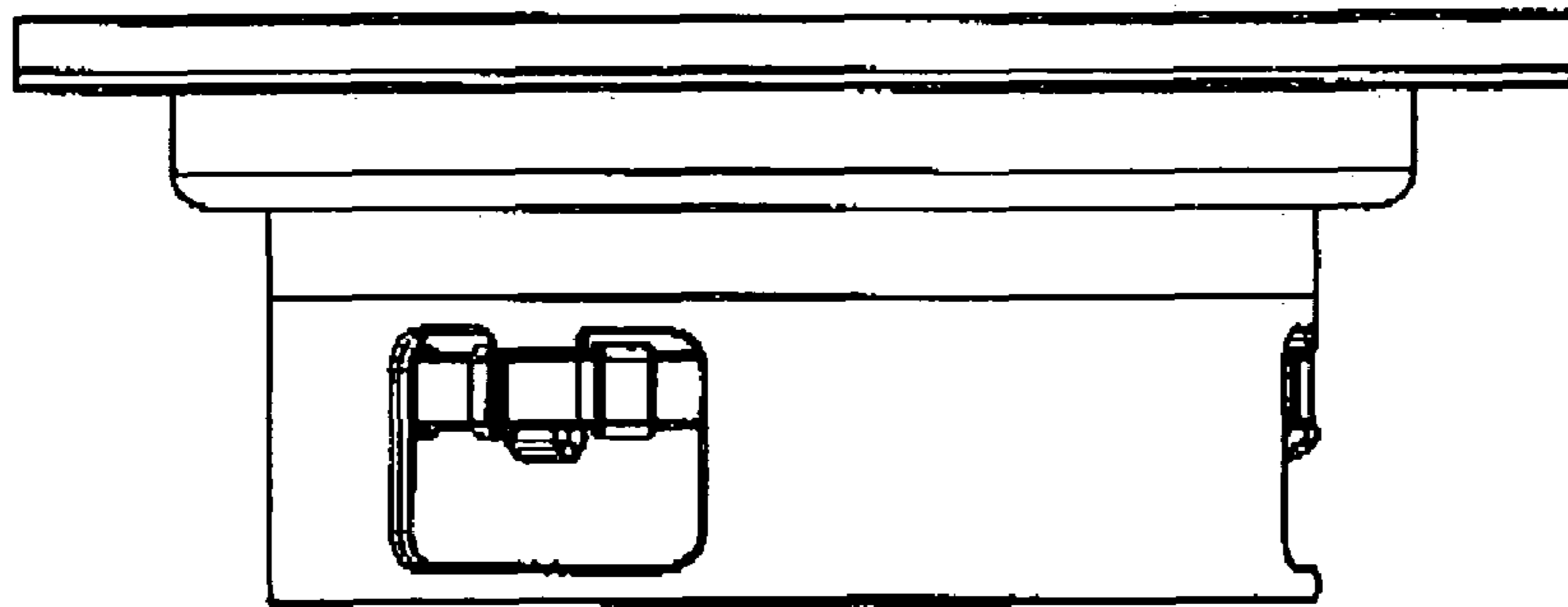


FIG. 5

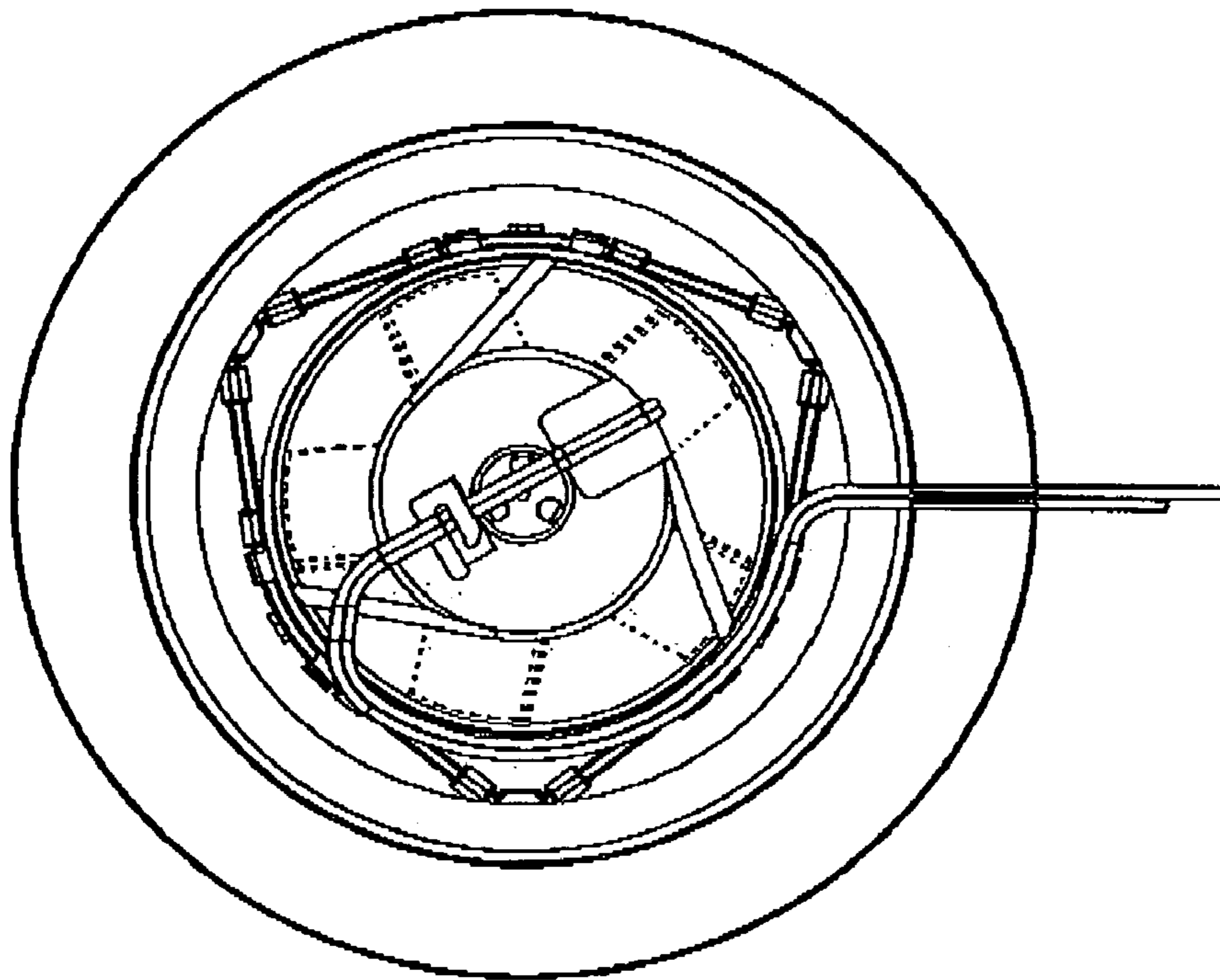


FIG. 6

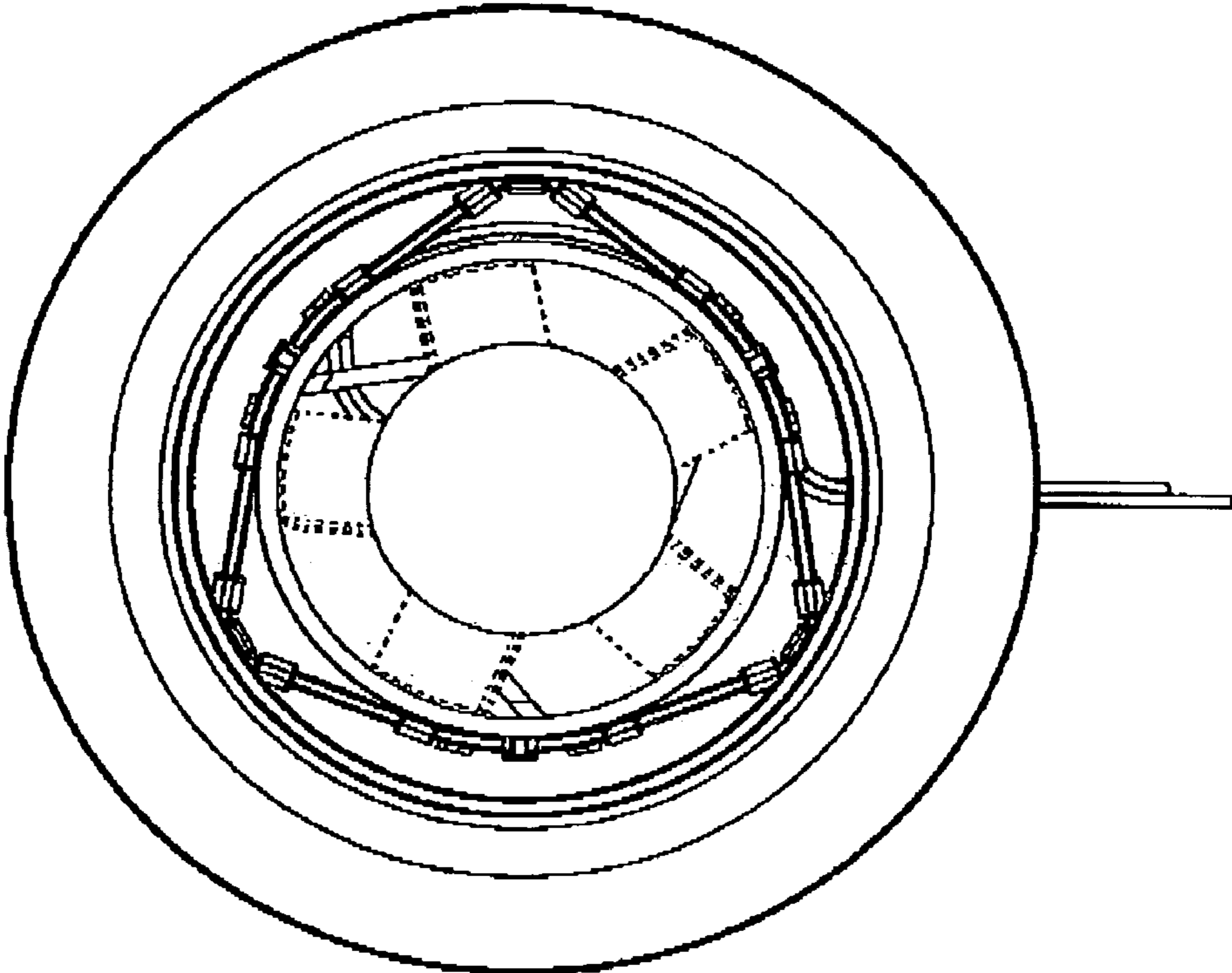


FIG. 7