



US00D639923S

(12) **United States Design Patent**
Belongia et al.

(10) **Patent No.:** **US D639,923 S**
(45) **Date of Patent:** **** Jun. 14, 2011**

(54) **DISPENSING DEVICE**

(75) Inventors: **David C. Belongia**, Burlington, WI (US); **Erica LeBlanc**, Chicago, IL (US); **Joao Paulo Possidonio Miguens**, Azeitao (PT); **Mark E. Wefler**, Racine, WI (US)

(73) Assignee: **S.C. Johnson & Son, Inc.**, Racine, WI (US)

(**) Term: **14 Years**

(21) Appl. No.: **29/359,772**

(22) Filed: **Apr. 15, 2010**

(51) **LOC (9) Cl.** **28-99**

(52) **U.S. Cl.** **D23/366**

(58) **Field of Classification Search** D23/355-369; D28/5, 6; 261/DIG. 17, DIG. 42, DIG. 65, 261/DIG. 88, DIG. 89; 392/386, 390-395; 239/34, 35, 44-47, 50, 53, 56, 60, 145, 326
See application file for complete search history.

(56) **References Cited**

U.S. PATENT DOCUMENTS

1,204,934 A	11/1916	Burford et al.
1,763,374 A	6/1930	Schrader
1,829,714 A	10/1931	McElroy et al.
1,947,752 A	2/1934	Benesh
2,084,682 A	6/1937	Guenot
2,094,161 A	9/1937	Paddock
2,103,609 A	12/1937	Bradburn
2,221,876 A	11/1940	Mackin
2,301,691 A	11/1942	Ellinger et al.
2,555,047 A	5/1951	Logue
2,600,877 A	6/1952	Jeffree
2,608,436 A	8/1952	Baughman
2,686,944 A	8/1954	Gubelin
2,741,004 A	4/1956	Williams
2,905,049 A	9/1956	Laube
3,118,610 A	1/1964	Techler
3,172,604 A	3/1965	Brock
3,301,486 A	1/1967	Brock
3,370,571 A	2/1968	Knapp
3,383,178 A	5/1968	Dietz

3,410,488 A	11/1968	Sugimura
3,447,505 A	6/1969	Wagner
3,612,356 A	10/1971	McVey
3,628,829 A	12/1971	Heilig
3,655,135 A	4/1972	Altman et al.
3,711,023 A	1/1973	Smith

(Continued)

Primary Examiner — Sandra Snapp

(57) **CLAIM**
The ornamental design for a dispensing device, as shown and described.

DESCRIPTION

FIG. 1 is an isometric view of a top, front, and right side of a first embodiment of a dispensing device of the present invention;

FIG. 2 is a front elevational view of the dispensing device of FIG. 1;

FIG. 3 is a rear elevational view of the dispensing device of FIG. 1;

FIG. 4 is a right side elevational view of the dispensing device of FIG. 1;

FIG. 5 is a left side elevational view of the dispensing device of FIG. 1;

FIG. 6 is a top plan view of the dispensing device of FIG. 1;

FIG. 7 is a bottom elevational view of the dispensing device of FIG. 1;

FIG. 8 is an isometric view of a top, front, and right side of a second embodiment of a dispensing device of the present invention;

FIG. 9 is a front elevational view of the dispensing device of FIG. 8;

FIG. 10 is a rear elevational view of the dispensing device of FIG. 8;

FIG. 11 is a right side elevational view of the dispensing device of FIG. 8;

FIG. 12 is a left side elevational view of the dispensing device of FIG. 8;

FIG. 13 is a top plan view of the dispensing device of FIG. 8; and,

FIG. 14 is a bottom elevational view of the dispensing device of FIG. 8.

The subject matter shown above in dashed lines forms no part of the claimed invention.

1 Claim, 14 Drawing Sheets



US D639,923 S

U.S. PATENT DOCUMENTS							
3,763,888	A	10/1973	Duecker	5,695,692	A	12/1997	Kennedy
3,812,996	A	5/1974	Bunnell	5,724,256	A	3/1998	Lee et al.
3,844,057	A	10/1974	Johnson	5,725,472	A	3/1998	Weathers
3,917,396	A	11/1975	Donohue et al.	5,727,186	A	3/1998	Shervington et al.
3,972,473	A	8/1976	Harrison	5,734,590	A	3/1998	Tebbe
4,084,732	A	4/1978	Dearling	5,762,268	A	6/1998	Shervington et al.
4,229,415	A	10/1980	Bryson	5,772,074	A	6/1998	Dial et al.
4,235,373	A	11/1980	Clark	5,779,101	A	7/1998	Holmgren et al.
4,391,390	A	7/1983	Howard	5,805,768	A	9/1998	Schwartz et al.
4,456,176	A	6/1984	Agius	5,810,201	A	9/1998	Besse et al.
4,545,396	A	10/1985	Miller et al.	5,816,446	A	10/1998	Steindorf et al.
4,556,539	A	12/1985	Spector	D400,662	S	11/1998	Davis
4,580,721	A	4/1986	Coffee et al.	5,832,320	A	11/1998	Wittek
4,588,874	A	5/1986	Napierski	5,887,118	A	3/1999	Huffman et al.
4,603,030	A	7/1986	McCarthy	5,894,841	A	4/1999	Voges
4,614,300	A	9/1986	Falcoff	5,899,381	A	5/1999	Gordon et al.
4,629,164	A	12/1986	Sommerville	5,899,382	A	5/1999	Hayes et al.
4,629,604	A	12/1986	Spector	5,949,522	A	9/1999	Manne
4,680,060	A	7/1987	Gupta et al.	5,972,290	A	10/1999	De Sousa
4,695,434	A	9/1987	Spector	5,975,675	A	11/1999	Kim
4,755,404	A	7/1988	Collette	6,000,658	A	12/1999	McCall, Jr.
4,798,935	A	1/1989	Pezaris	6,039,212	A	3/2000	Singh
4,846,403	A	7/1989	Mivelaz	6,053,738	A	4/2000	Ivey, Jr.
4,852,802	A	8/1989	Iggulden et al.	6,104,867	A	8/2000	Stathakis et al.
4,870,991	A	10/1989	McMillan et al.	6,106,786	A	8/2000	Akahoshi
D304,758	S	11/1989	Glucksman et al.	6,123,935	A	9/2000	Wefler et al.
4,881,568	A	11/1989	Ho	6,136,277	A	10/2000	Nardini
4,893,615	A	1/1990	Khabirova	6,141,496	A	10/2000	Sundberg et al.
4,901,890	A	2/1990	Mivelaz	D435,098	S	12/2000	Kemmis
4,905,112	A	2/1990	Rhodes	D437,636	S	2/2001	Basaganas
4,913,034	A	4/1990	Ripple et al.	6,189,810	B1	2/2001	Nerushai et al.
5,011,632	A	4/1991	Yano et al.	6,196,218	B1	3/2001	Voges
5,022,585	A	6/1991	Burgess	6,231,032	B1	5/2001	Ivey, Jr.
5,023,020	A	6/1991	Machida et al.	6,234,455	B1	5/2001	Wittek
5,038,394	A	8/1991	Hasegawa et al.	6,241,944	B1	6/2001	Budman
5,038,972	A	8/1991	Muderlak et al.	6,254,065	B1	7/2001	Ehrensperger et al.
5,050,798	A	9/1991	Sullivan	6,279,836	B1	8/2001	Toetschinger et al.
5,071,621	A	12/1991	Tokuhiro et al.	D449,101	S	10/2001	Wolpert et al.
5,097,375	A	3/1992	Khan	6,296,196	B1	10/2001	Denen et al.
5,105,133	A	4/1992	Yang	D451,990	S	12/2001	Millet
5,111,477	A	5/1992	Muderlak et al.	6,328,287	B2	12/2001	Wittek
5,115,975	A	5/1992	Shilling	6,338,818	B2	1/2002	Budman
5,133,498	A	7/1992	Sealy et al.	6,357,726	B1	3/2002	Watkins
5,152,397	A	10/1992	Mayled	6,368,564	B1	4/2002	Smith
D330,758	S	11/1992	Muderlak	6,371,451	B1	4/2002	Choi
5,163,616	A	11/1992	Bernarducci et al.	6,379,242	B1	4/2002	Wiseman, Sr. et al.
5,167,877	A	12/1992	Pai	D456,886	S	5/2002	Hart
5,175,791	A	12/1992	Muderlak et al.	6,390,453	B1	5/2002	Frederickson et al.
5,178,327	A	1/1993	Palamand et al.	6,406,004	B1	6/2002	Ude
5,186,869	A	2/1993	Stumpf et al.	6,409,093	B2	6/2002	Ulczynski et al.
5,192,342	A	3/1993	Baron et al.	D460,170	S	7/2002	Hart
5,193,744	A	3/1993	Goldstein	D461,549	S	8/2002	Garcia
5,201,025	A	4/1993	Landesberg	D463,437	S	9/2002	Bush et al.
5,212,672	A	5/1993	Loisch et al.	6,446,583	B2	9/2002	Vieira
5,227,068	A	7/1993	Runyon	D464,130	S	10/2002	Denham et al.
5,230,837	A	7/1993	Babasade	D466,204	S	11/2002	Wolpert et al.
5,234,162	A	8/1993	Sullivan	6,478,440	B1	11/2002	Jaworski et al.
5,297,988	A	3/1994	Nishino et al.	6,487,367	B2	11/2002	Vieira
5,314,619	A	5/1994	Runyon	6,501,052	B2	12/2002	Cox et al.
5,314,669	A	5/1994	Hamilton	6,501,906	B2	12/2002	Vieira
5,321,669	A	6/1994	Thayer et al.	6,502,762	B2	1/2003	Tuttobene, Jr.
5,342,584	A	8/1994	Fritz et al.	6,511,531	B1	1/2003	Cartellone
5,343,747	A	9/1994	Rosen	D469,862	S *	2/2003	Cruver et al. D23/366
5,364,027	A	11/1994	Kuhn	6,533,193	B2	3/2003	White
5,377,363	A	1/1995	Shieh	6,536,746	B2	3/2003	Watkins
5,398,070	A	3/1995	Lee	D473,638	S *	4/2003	Cruver, IV D23/366
D359,346	S	6/1995	Martin	6,542,442	B2	4/2003	Kaslon
5,434,386	A	7/1995	Glenn et al.	6,555,068	B2	4/2003	Smith
5,449,117	A	9/1995	Muderlak et al.	6,556,272	B1	4/2003	Du et al.
D364,450	S	11/1995	Kearnes	6,563,091	B2	5/2003	Vieira
5,518,790	A	5/1996	Huber et al.	6,568,659	B2	5/2003	Hugon
5,521,357	A	5/1996	Lock et al.	6,569,387	B1	5/2003	Furner et al.
5,524,609	A	6/1996	Krull	6,581,915	B2	6/2003	Bartsch et al.
5,565,148	A	10/1996	Pendergrass, Jr.	6,592,104	B2	7/2003	Cox
5,591,409	A	1/1997	Watkins	6,602,475	B1	8/2003	Chiao
5,660,330	A	8/1997	Scott	6,603,924	B2	8/2003	Brown et al.
5,666,987	A	9/1997	Combs	6,619,559	B2	9/2003	Wohrle
D385,024	S	10/1997	Roberts	6,654,664	B1	11/2003	Chiao
				6,661,967	B2	12/2003	Levine et al.

US D639,923 S

6,672,129 B1	1/2004	Frederickson et al.	7,157,057 B2	1/2007	Gohil
D487,504 S	3/2004	Yuen	7,160,515 B2	1/2007	Murdell et al.
6,712,287 B1	3/2004	Le Pesant et al.	D538,915 S	3/2007	Anderson
6,713,024 B1	3/2004	Arnell et al.	7,190,888 B2	3/2007	Wolf et al.
6,722,532 B2	4/2004	Lasserre et al.	7,201,333 B2	4/2007	Yoshikawa et al.
6,728,478 B2	4/2004	Cox et al.	D542,902 S	5/2007	Caserta et al.
D494,668 S	8/2004	Morillas	D542,903 S	5/2007	Caserta et al.
6,775,470 B2	8/2004	Zobebe et al.	7,223,361 B2	5/2007	Kvietok et al.
6,782,194 B2	8/2004	Schneiderbauer	7,249,719 B2	7/2007	He et al.
6,783,081 B2	8/2004	Pedrotti et al.	D548,318 S	8/2007	Copeman
6,783,117 B2	8/2004	Wohrle	D550,344 S	9/2007	Weggelaar
6,786,474 B2	9/2004	Watkins et al.	7,277,626 B2	10/2007	Pesu et al.
6,790,011 B1	9/2004	Le Pesant et al.	D556,311 S	11/2007	Copeman
6,790,408 B2	9/2004	Whitby et al.	7,303,300 B2	12/2007	Dowling et al.
6,792,199 B2	9/2004	Levine et al.	7,324,744 B2	1/2008	Triplett et al.
6,802,460 B2	10/2004	Hess et al.	7,330,585 B2	2/2008	Rice
6,803,987 B2	10/2004	Manne	7,344,123 B2	3/2008	Pankhurst et al.
6,832,794 B2	12/2004	He et al.	7,357,561 B2	4/2008	Hidalgo et al.
6,834,847 B2	12/2004	Bartsch et al.	7,376,344 B2	5/2008	Manne
6,842,218 B1	1/2005	Manne	7,387,265 B2	6/2008	Hess et al.
6,843,430 B2	1/2005	Boticki et al.	7,389,943 B2	6/2008	Jaworski
6,854,717 B2	2/2005	Millan	7,400,822 B2	7/2008	Ruiz Ballesteros et al.
6,859,615 B2	2/2005	Yip et al.	D574,941 S *	8/2008	Weggelaar D23/366
6,871,794 B2	3/2005	McEwen	D581,479 S	11/2008	Caserta et al.
6,889,003 B2	5/2005	Triplett et al.	D584,809 S	1/2009	Porchia et al.
6,912,355 B2	6/2005	Vieira	7,481,380 B2	1/2009	Kvietok et al.
6,913,733 B2	7/2005	Hardy et al.	7,481,571 B2	1/2009	Bisritzky et al.
6,920,282 B2	7/2005	He et al.	7,493,028 B2	2/2009	DeWitt
6,950,607 B2	9/2005	Yip et al.	7,497,354 B2	3/2009	Decottignies et al.
6,955,067 B2	10/2005	Davenet et al.	7,544,332 B2	6/2009	De Silva et al.
7,011,795 B2	3/2006	Thompson et al.	D596,729 S	7/2009	Langley et al.
7,014,818 B2	3/2006	Rymer	D596,730 S	7/2009	Langley et al.
7,021,494 B2	4/2006	Mazooji et al.	D604,402 S	11/2009	Tomas Vilarasa et al.
D521,621 S	5/2006	Slater	7,621,511 B2	11/2009	Hayes-Pankhurst et al.
7,036,800 B2	5/2006	Ellis	7,652,436 B2	1/2010	Dowling et al.
D528,184 S	9/2006	Yuen	7,691,336 B2	4/2010	Westring
D529,159 S	9/2006	Howansky et al.	D623,284 S *	9/2010	Myojin et al. D23/366
7,132,084 B1	11/2006	Roumpos	D624,170 S *	9/2010	Myojin et al. D23/366
7,133,605 B2	11/2006	Niemeyer	2003/0138241 A1 *	7/2003	Pedrotti et al. 392/395
D533,930 S *	12/2006	Keller et al. D23/366	2003/0194225 A1 *	10/2003	Pedrotti et al. 392/395
D534,265 S *	12/2006	Weggelaar D23/366			
D535,377 S	1/2007	Caserta			

* cited by examiner



FIG. 1

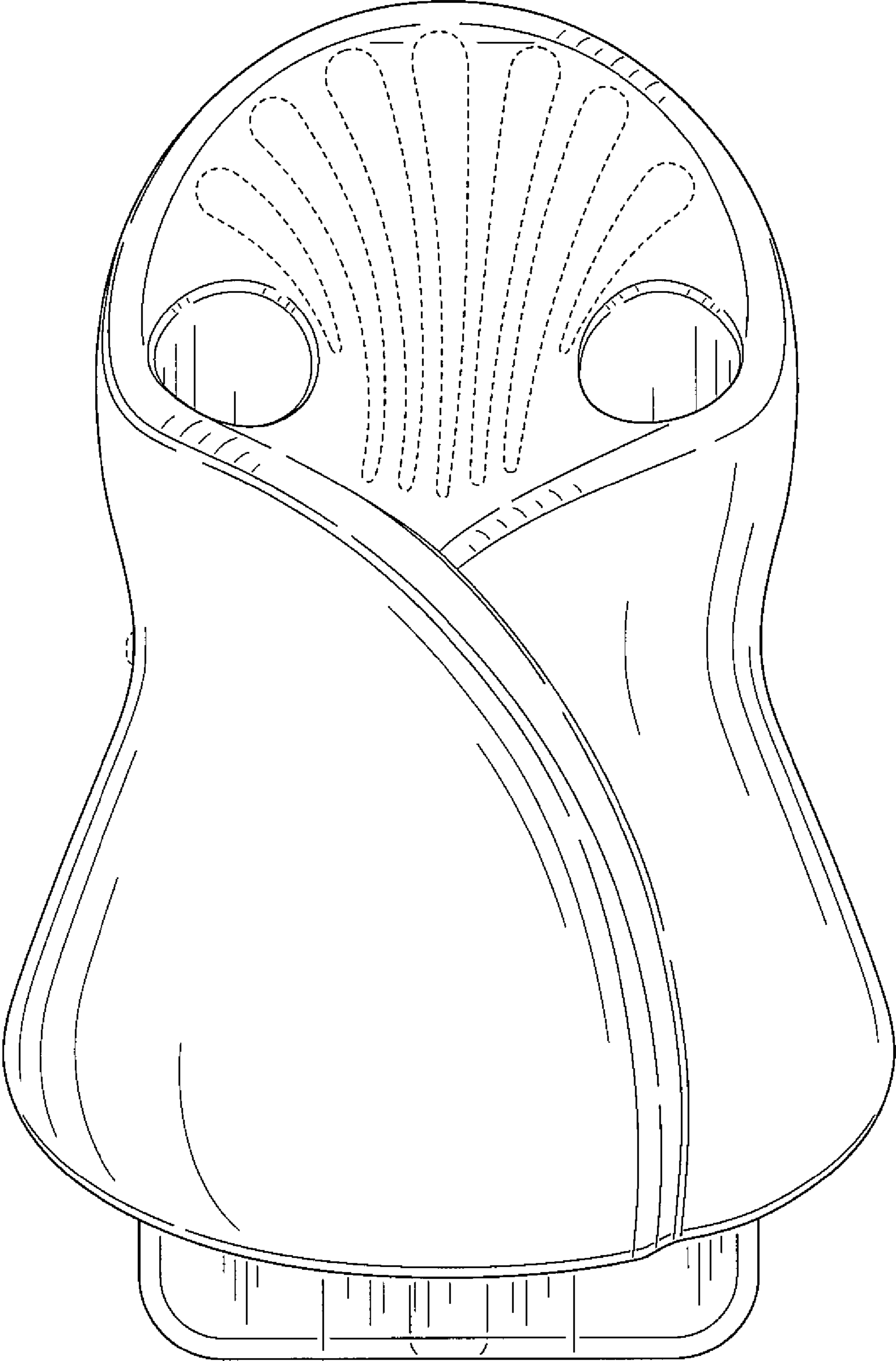


FIG. 2

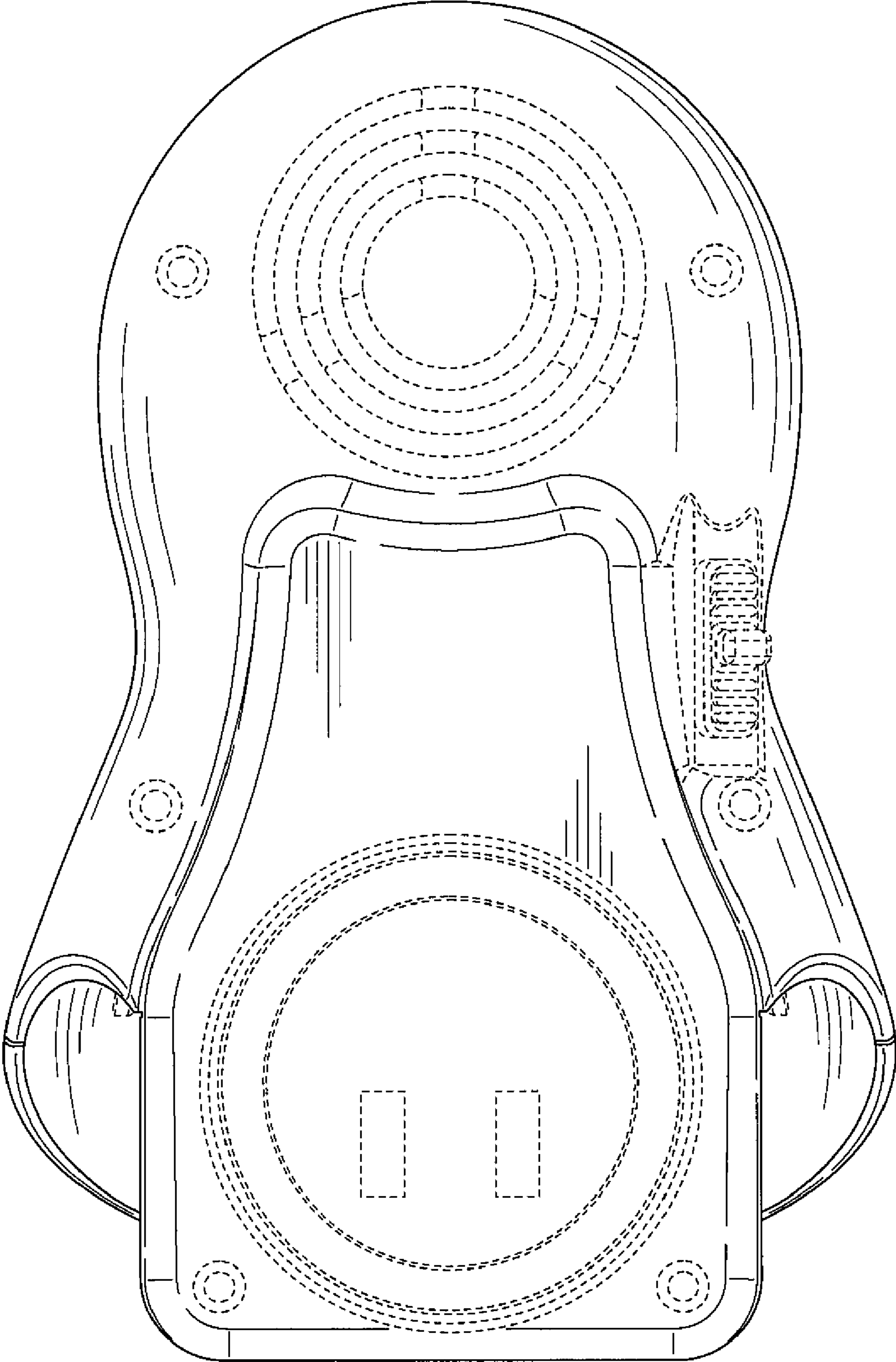


FIG. 3

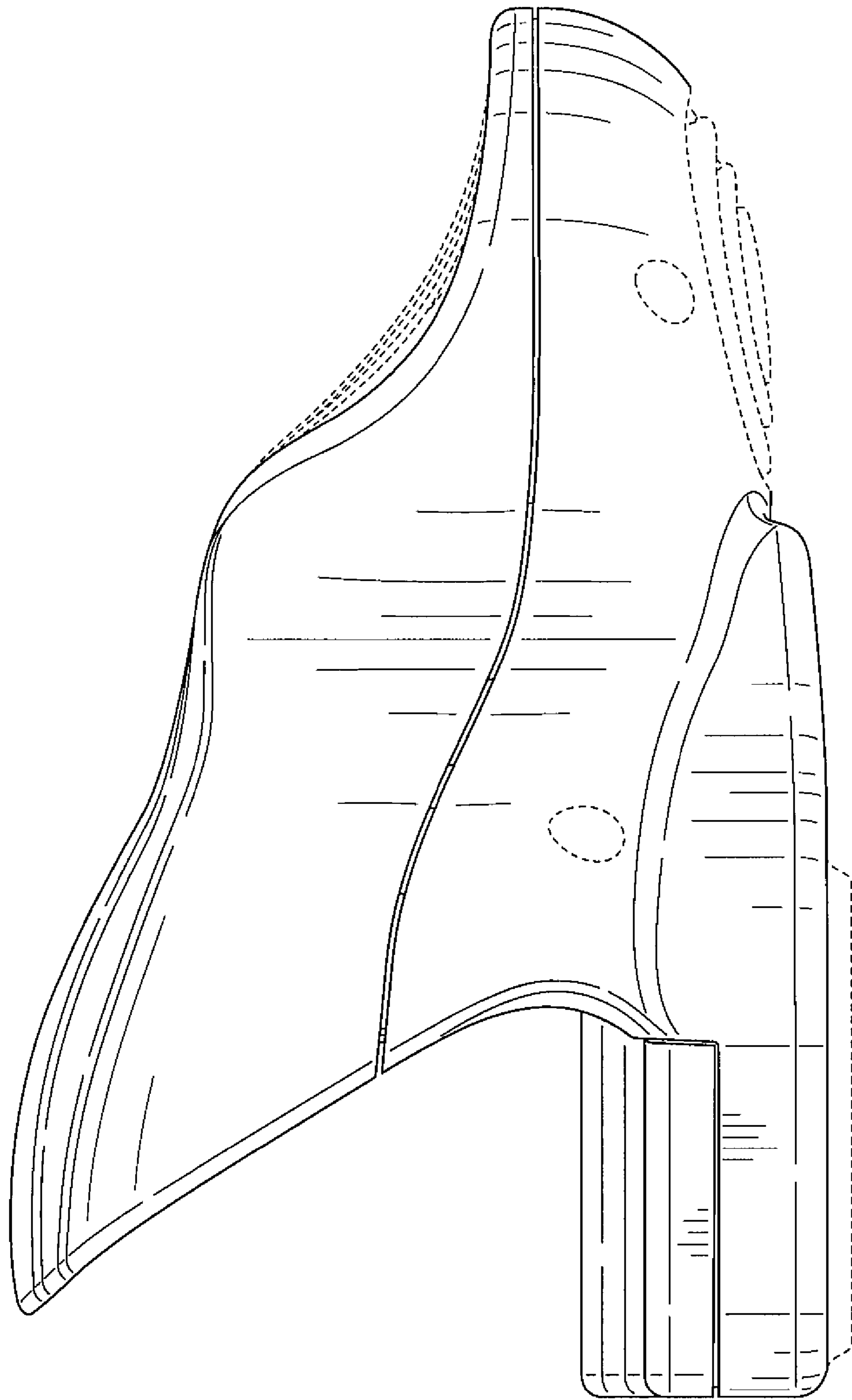


FIG. 4

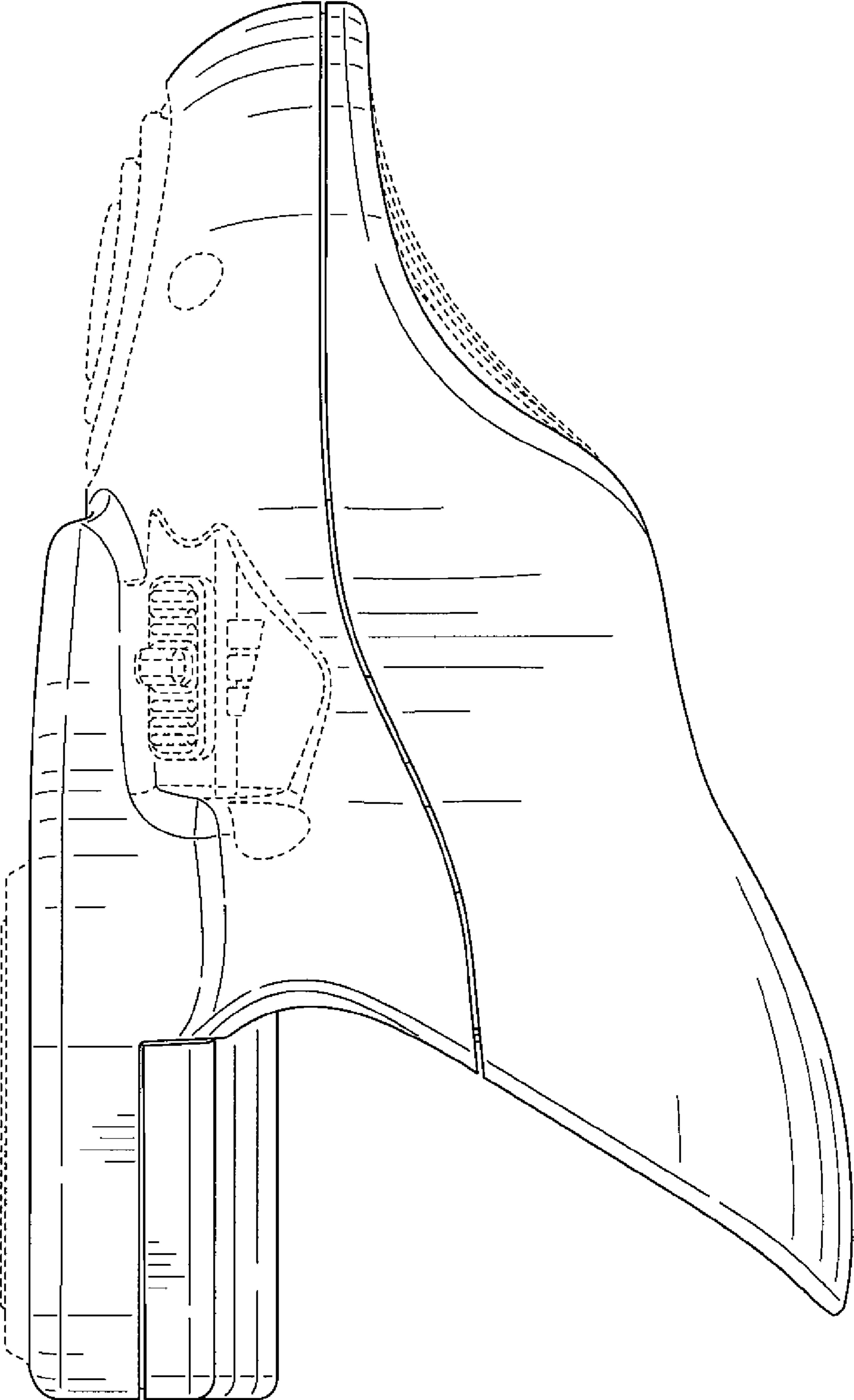


FIG. 5

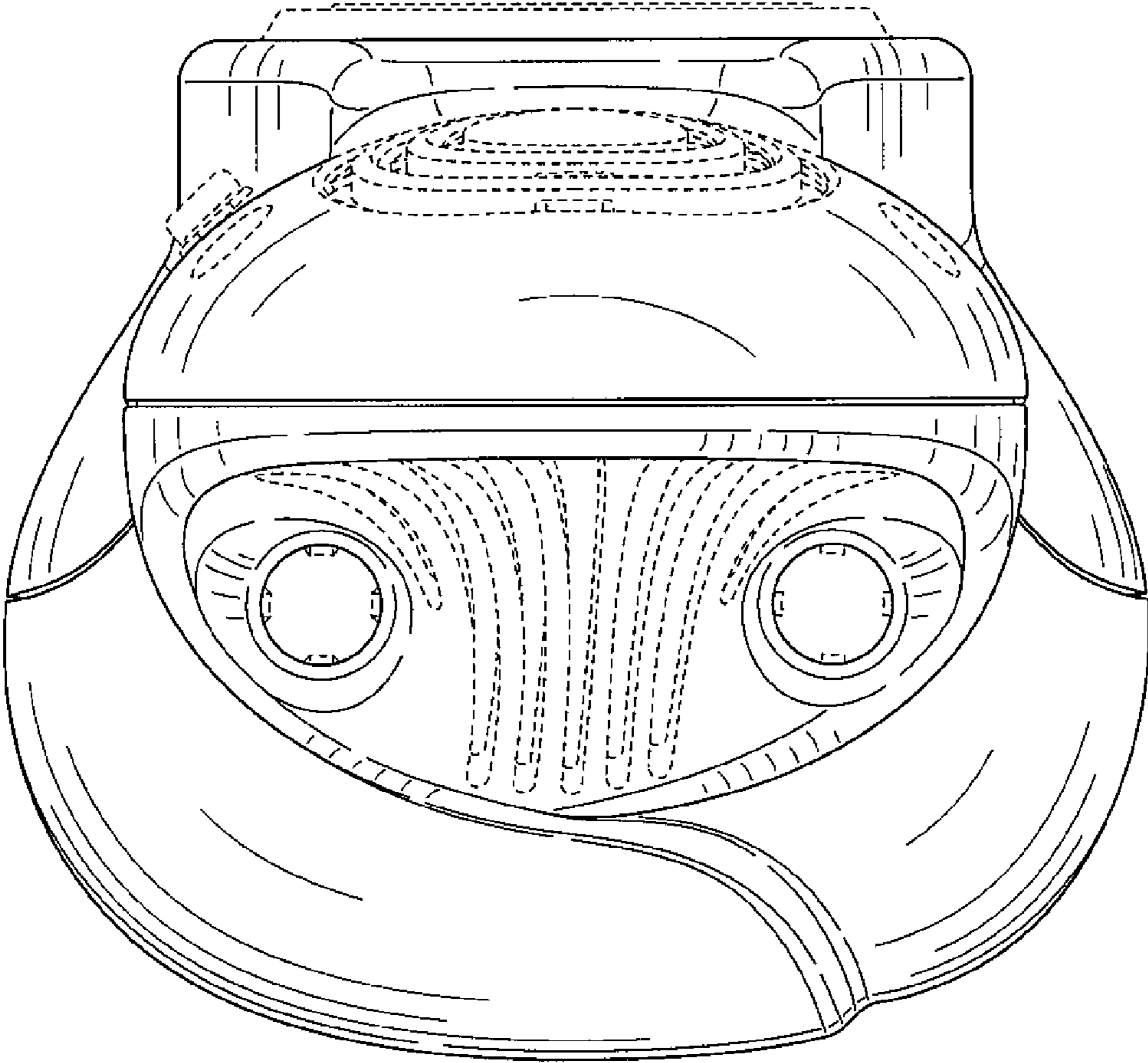


FIG. 6

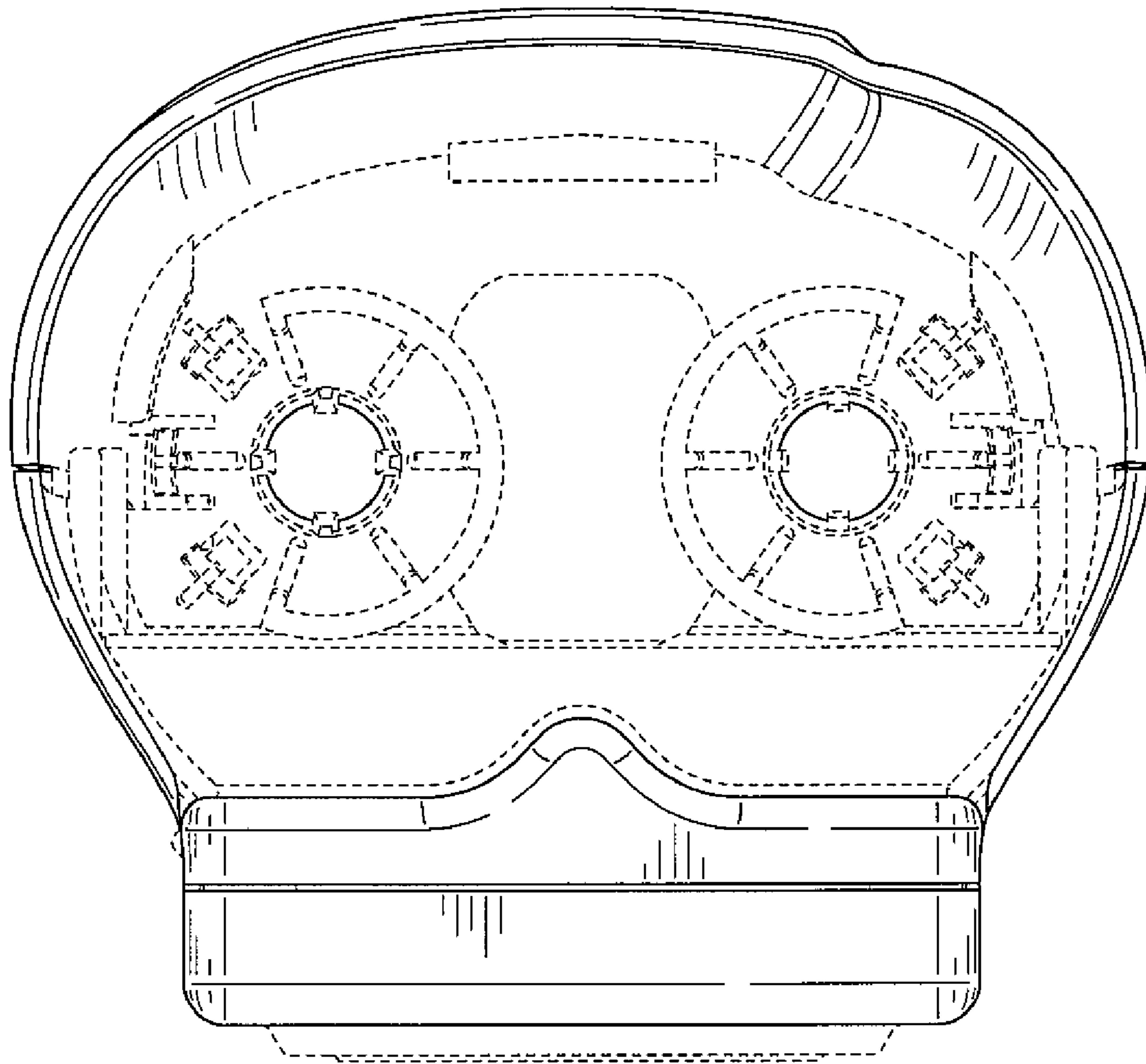


FIG. 7

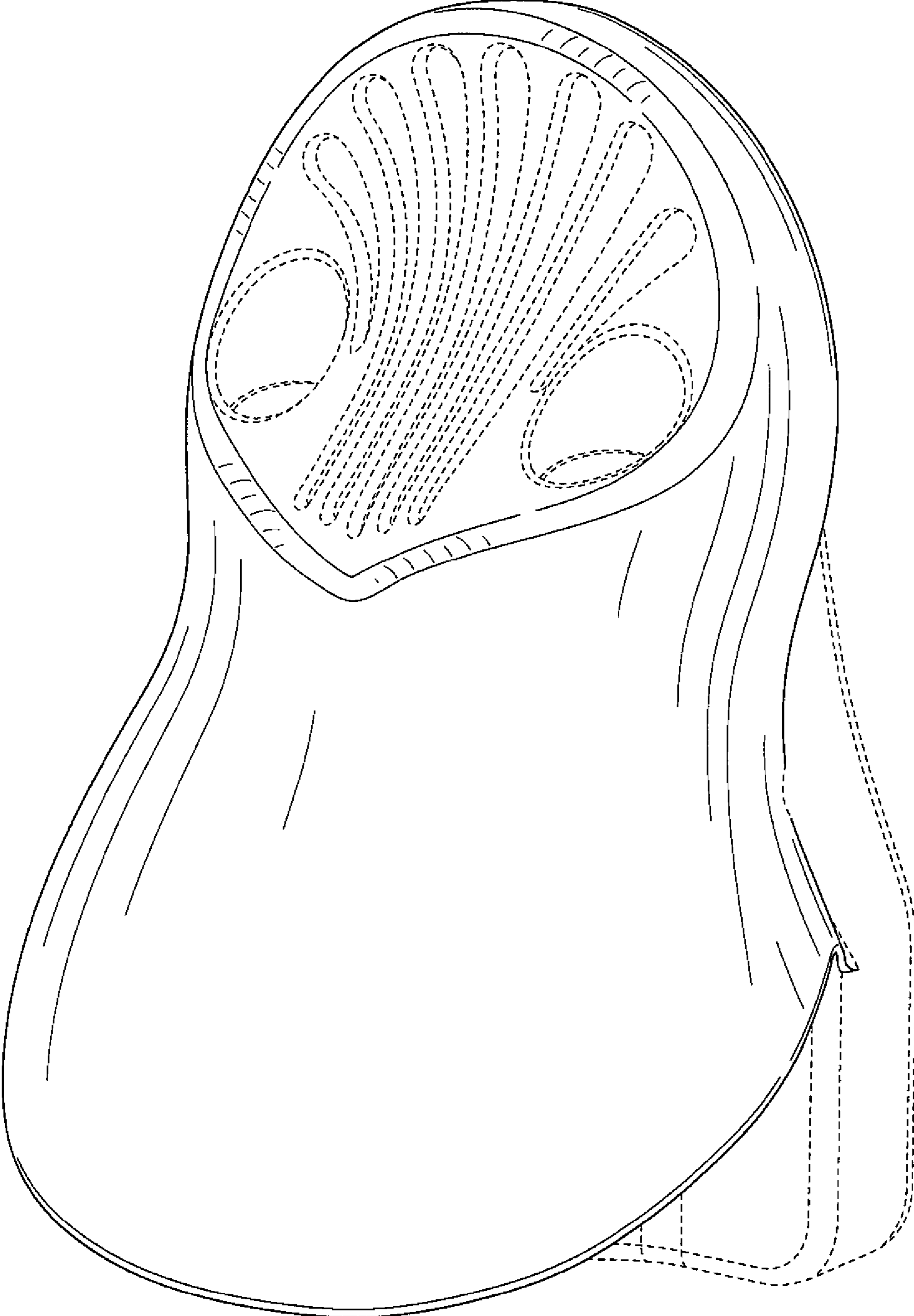


FIG. 8

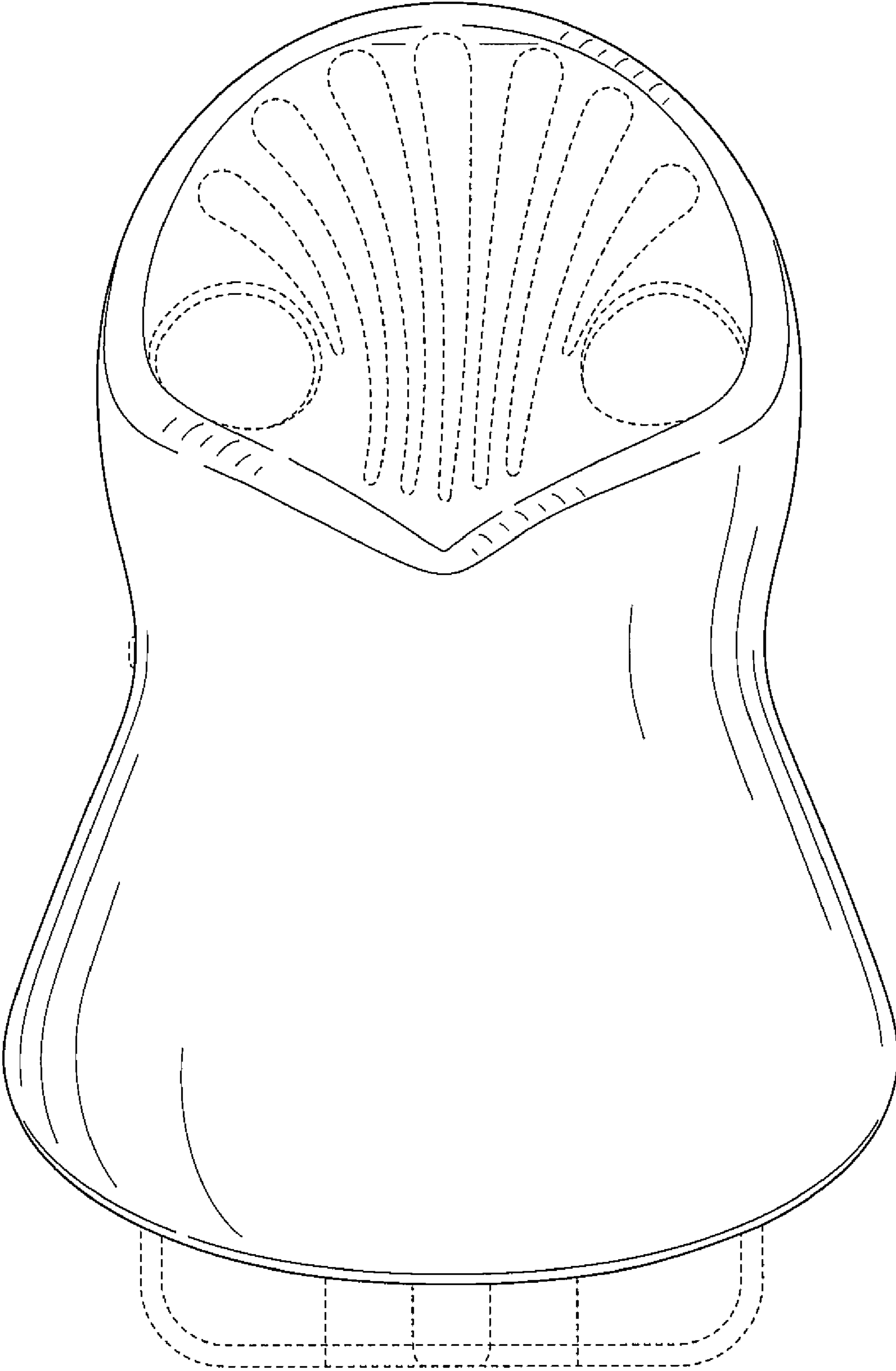


FIG. 9

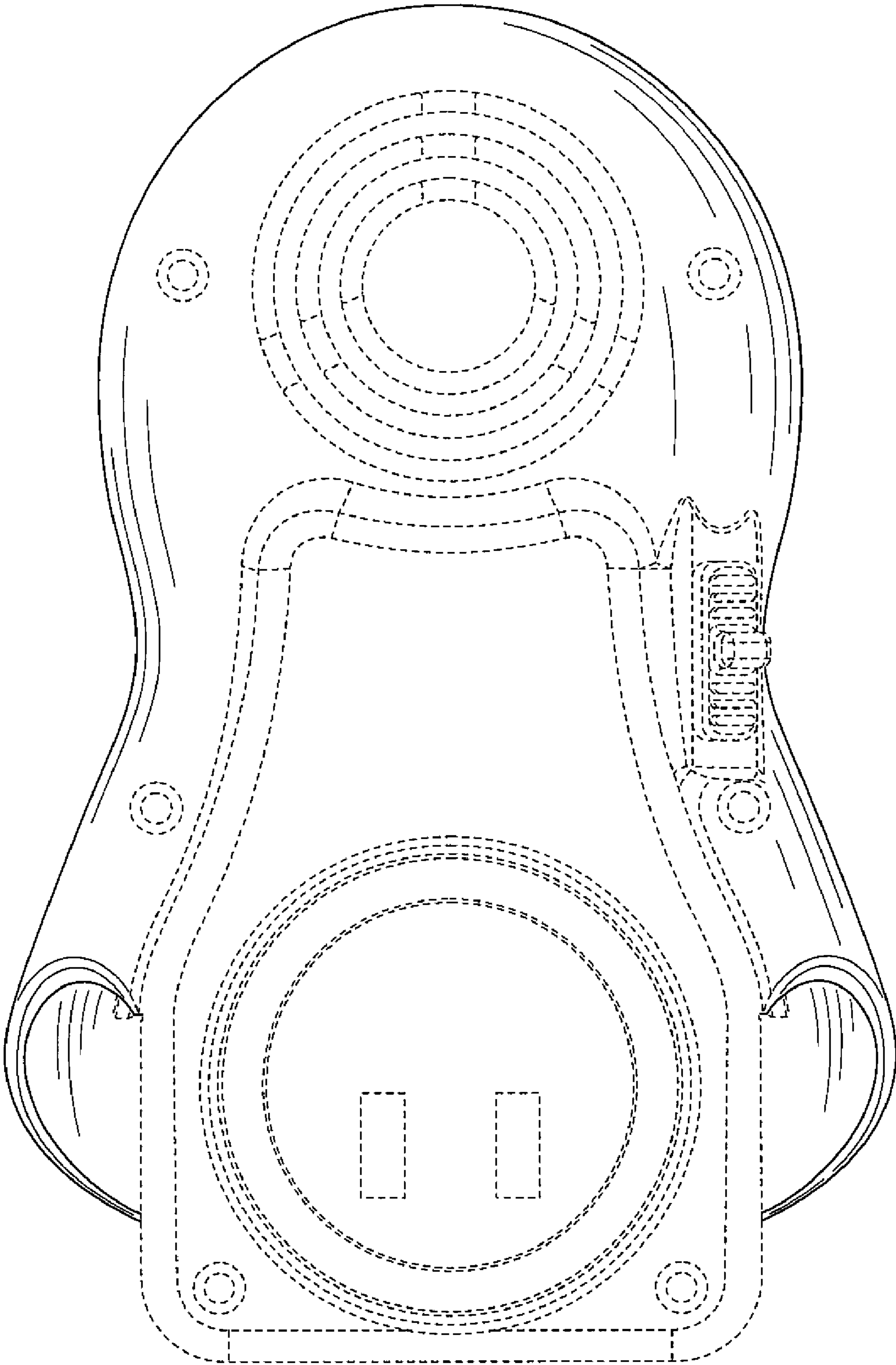


FIG. 10

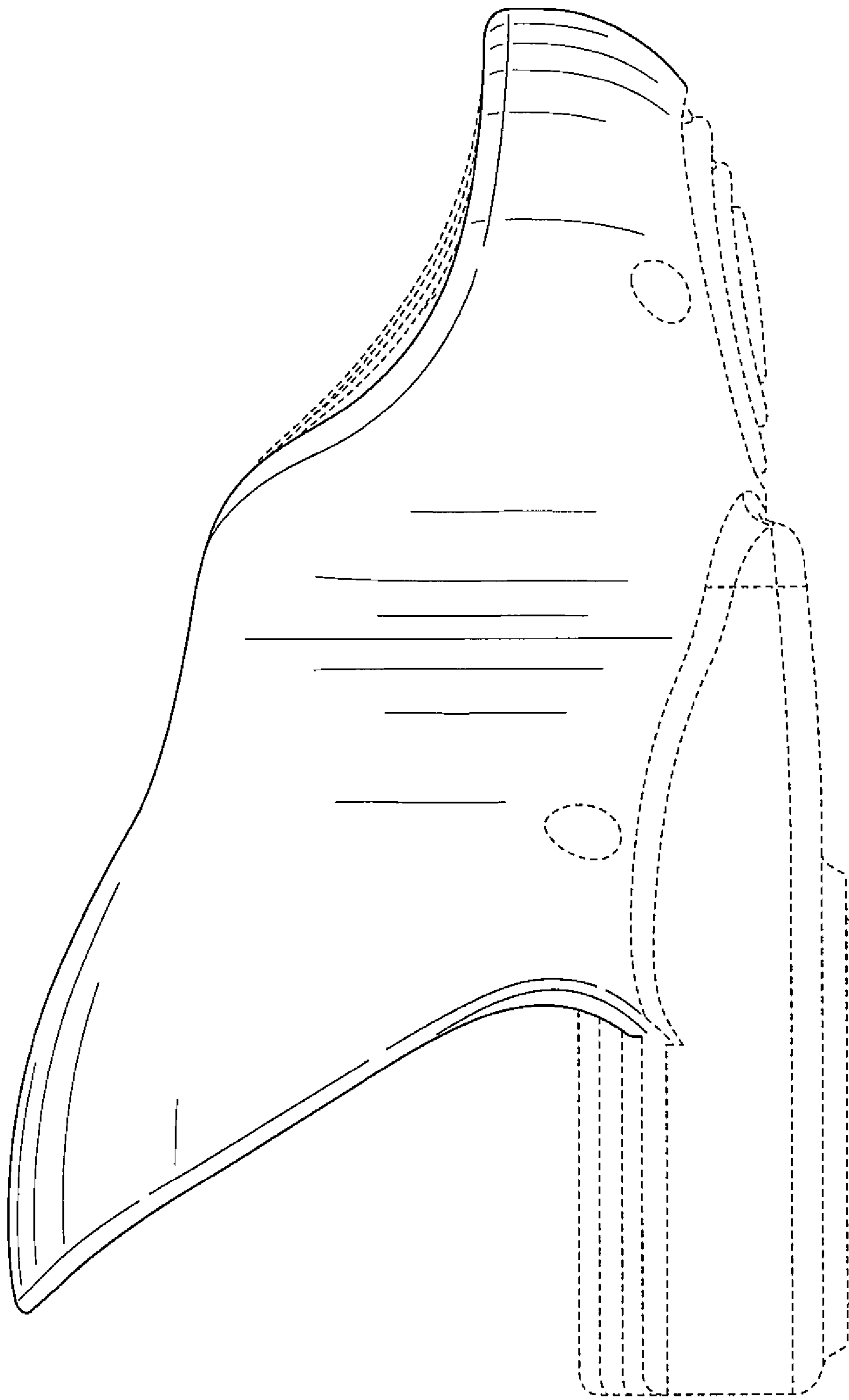


FIG. 11

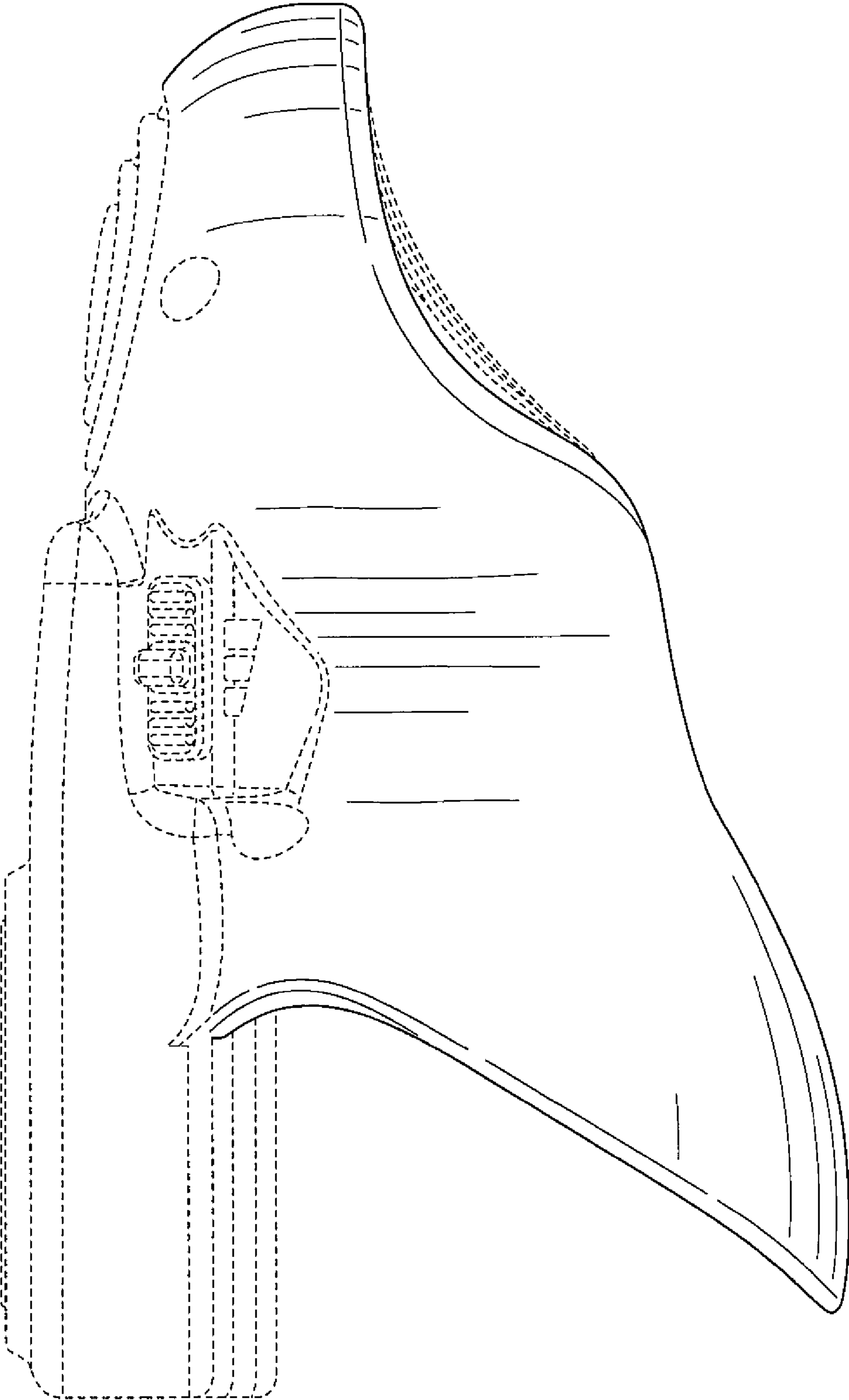


FIG. 12

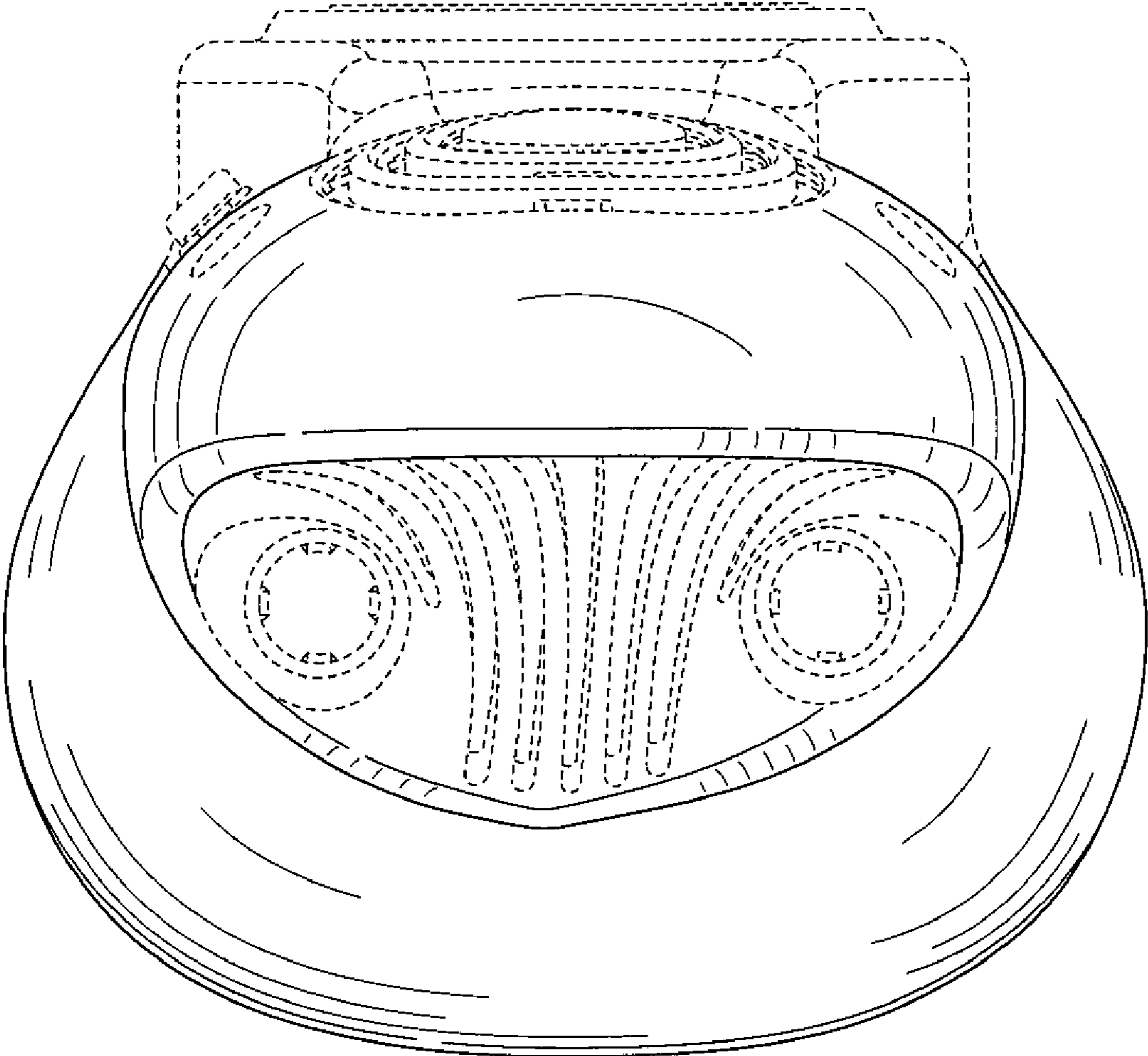


FIG. 13

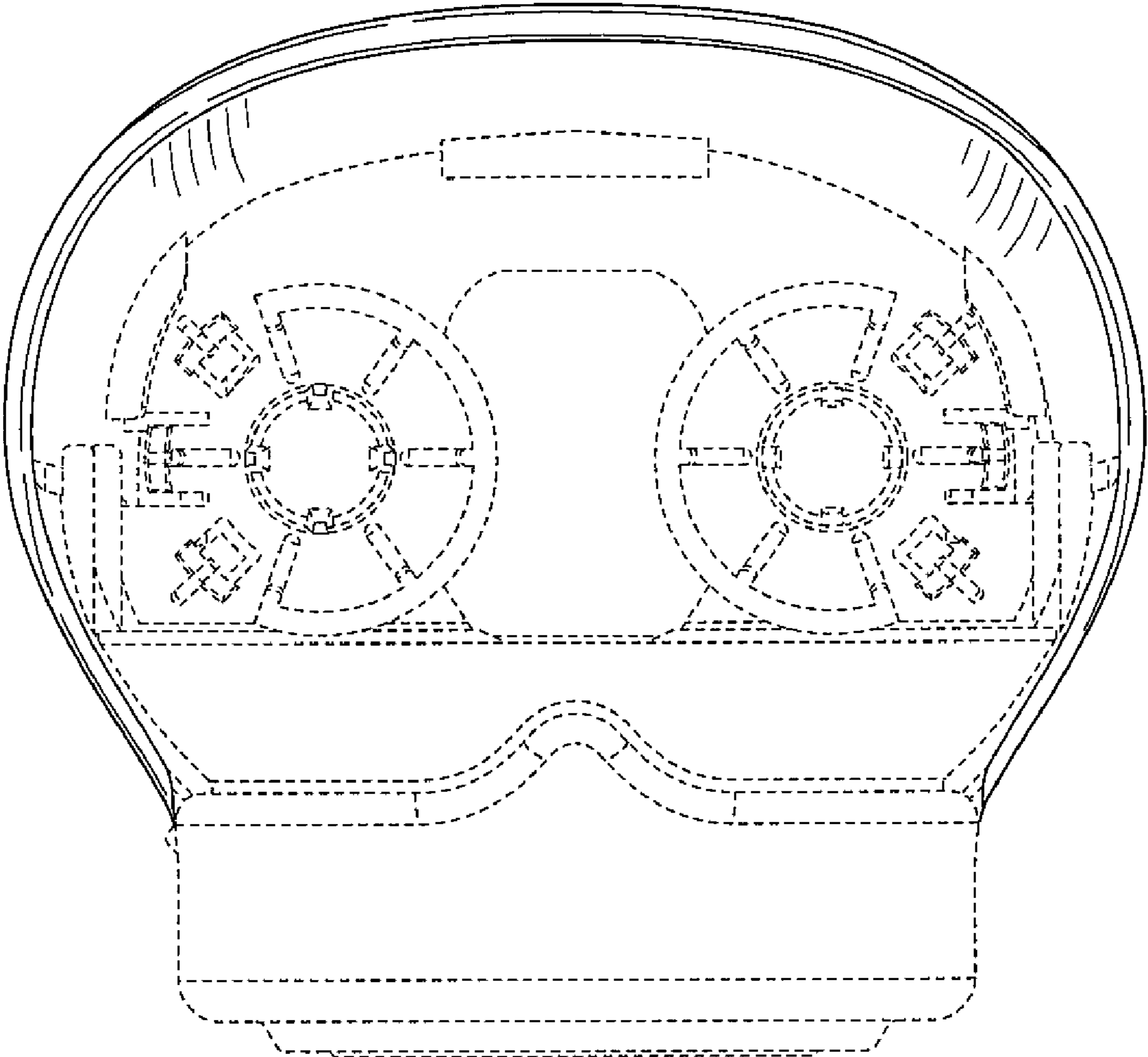


FIG. 14