



US00D639920S

(12) **United States Design Patent**
Lewis

(10) **Patent No.:** **US D639,920 S**
(45) **Date of Patent:** **** Jun. 14, 2011**

(54) **BODY FOR A PORTABLE HEATER**

(75) Inventor: **William Lewis**, Denver, PA (US)

(73) Assignee: **Lasko Holdings, Inc.**, Wilmington, DE (US)

(**) Term: **14 Years**

(21) Appl. No.: **29/373,055**

(22) Filed: **Feb. 23, 2011**

(51) **LOC (9) Cl.** **23-04**

(52) **U.S. Cl.** **D23/332; D23/335; D23/314**

(58) **Field of Classification Search** D23/317,
D23/314, 332, 333, 334, 335, 337, 342, 351,
D23/355, 378, 370, 381, 364, 336, 341; 416/244 R,
416/247 R, 53.1-53.3; 392/365, 367
See application file for complete search history.

(56) **References Cited**

U.S. PATENT DOCUMENTS

| | | | |
|--------------|--------|--------------------|---------|
| D571,827 S * | 6/2008 | Sewell et al. | D15/22 |
| D584,805 S * | 1/2009 | Yoo et al. | D23/333 |
| D594,947 S * | 6/2009 | Lewis | D23/314 |
| D597,641 S * | 8/2009 | Israel et al. | D23/335 |

* cited by examiner

Primary Examiner — T. Chase Nelson

Assistant Examiner — Ania Dworzecka

(74) *Attorney, Agent, or Firm* — Martin Fruitman

(57) **CLAIM**

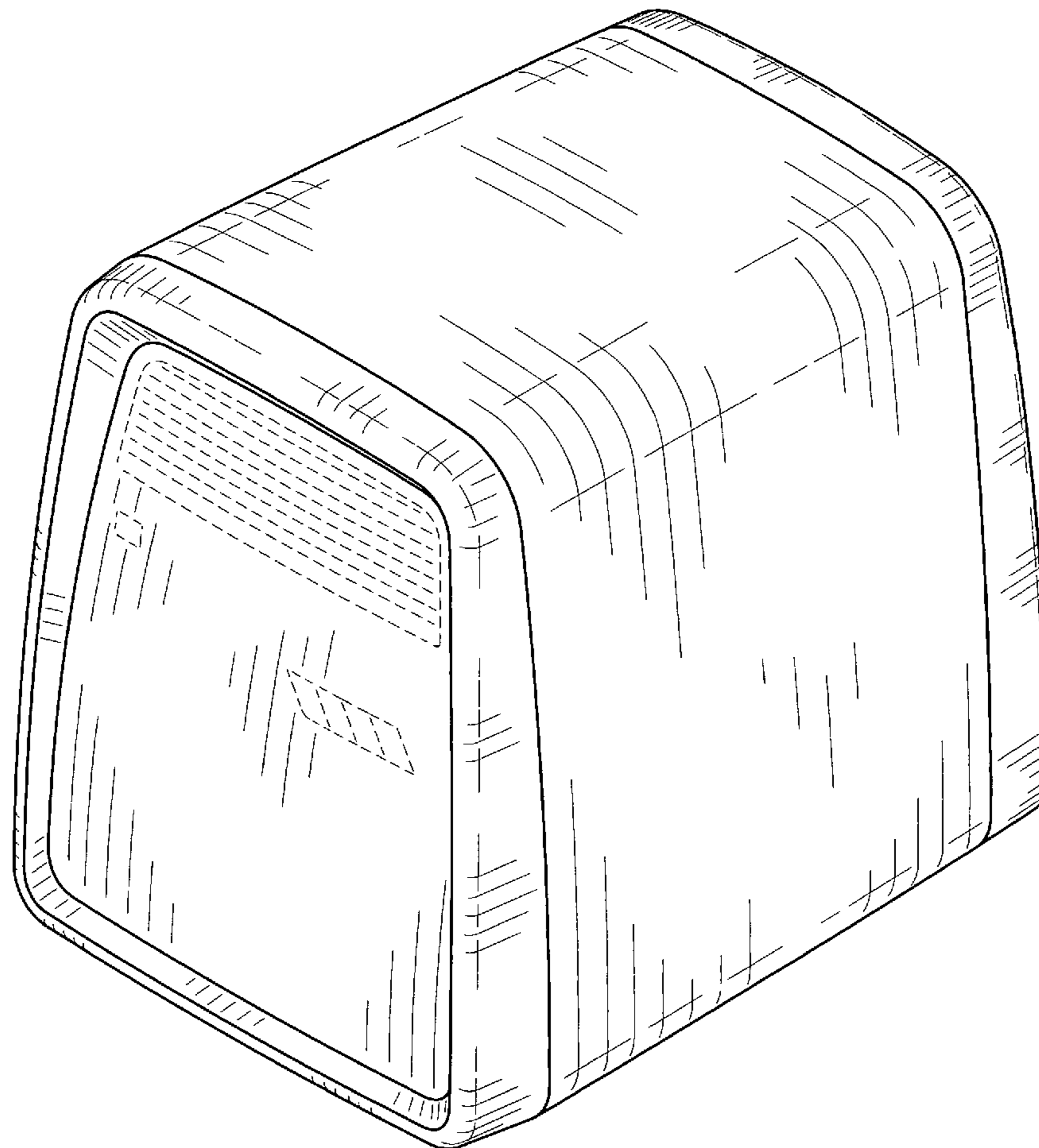
The ornamental design for a body for a portable heater, as shown and described.

DESCRIPTION

FIG. 1 is a right side front perspective view of a body for a portable heater showing my new design; FIG. 2 is a left side rear perspective view thereof; FIG. 3 is a front elevation view thereof; FIG. 4 is a right side elevation view thereof; FIG. 5 is a left side elevation view thereof; FIG. 6 is a rear elevation view thereof; and, FIG. 7 is a top plan view thereof.

The broken line showing of a front grill, a rear grill, control buttons and bottom wheels is included for the purpose of illustrating environmental structure and forms no part of the claimed design.

1 Claim, 7 Drawing Sheets



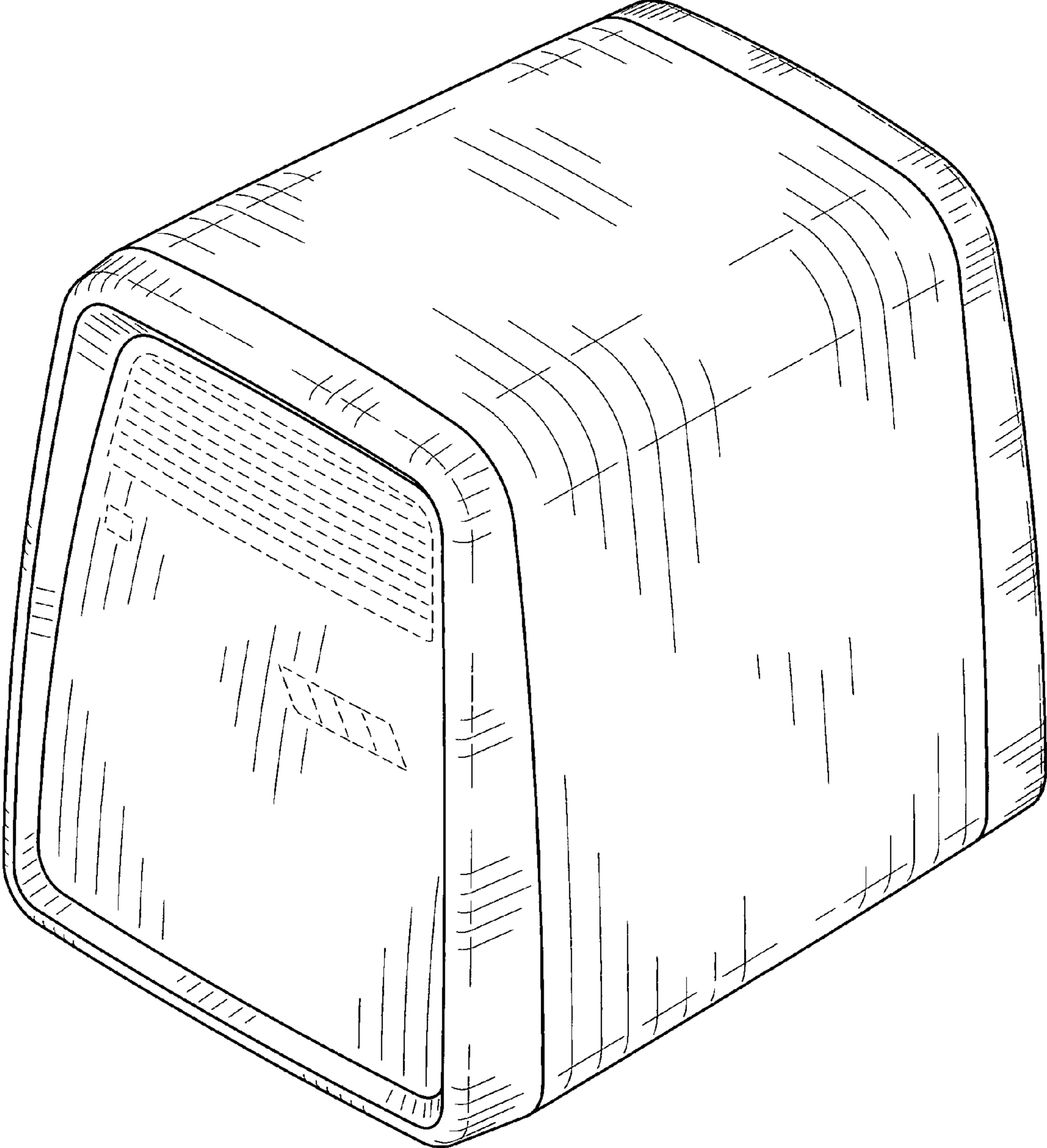


FIG. 1

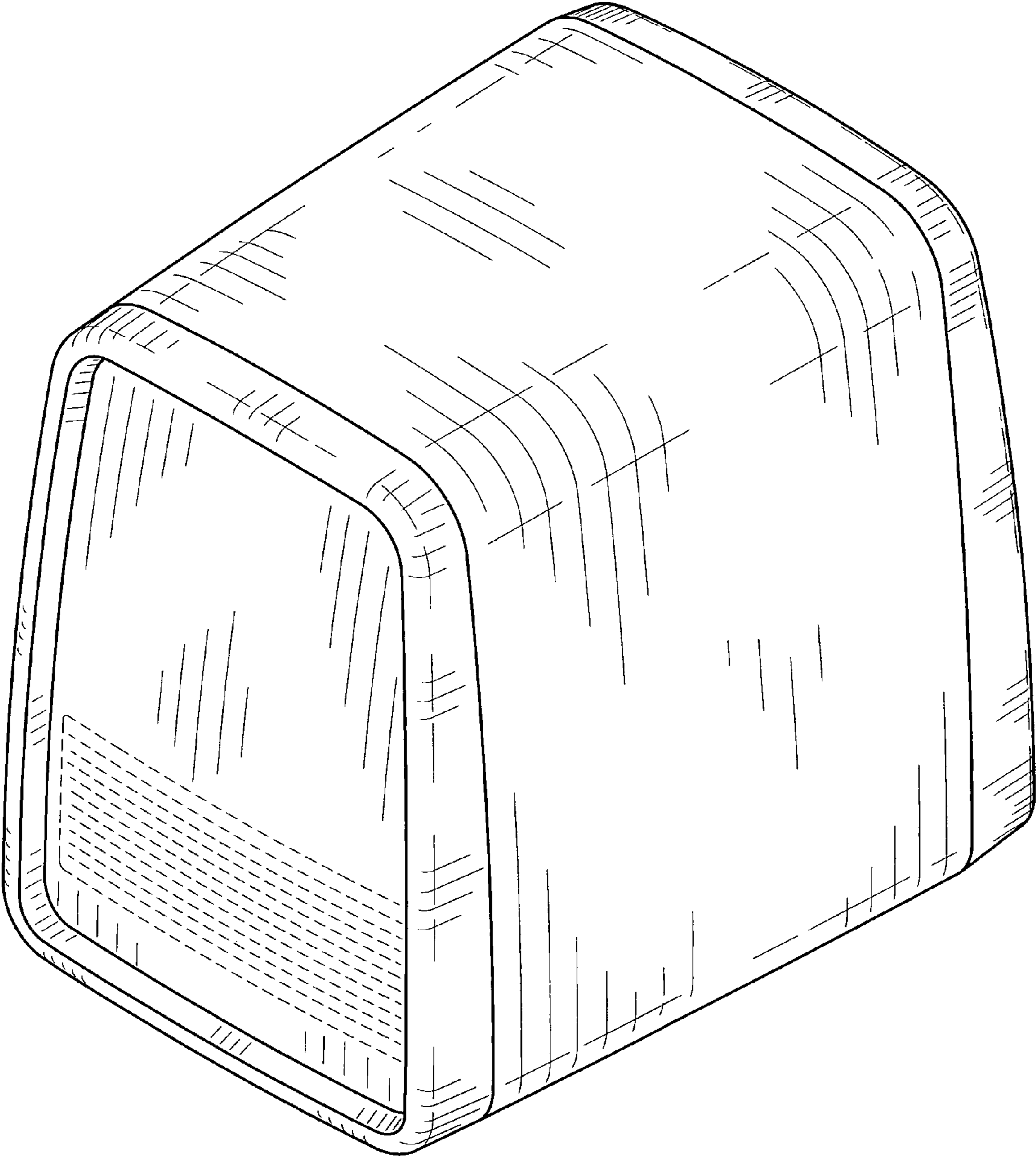


FIG. 2

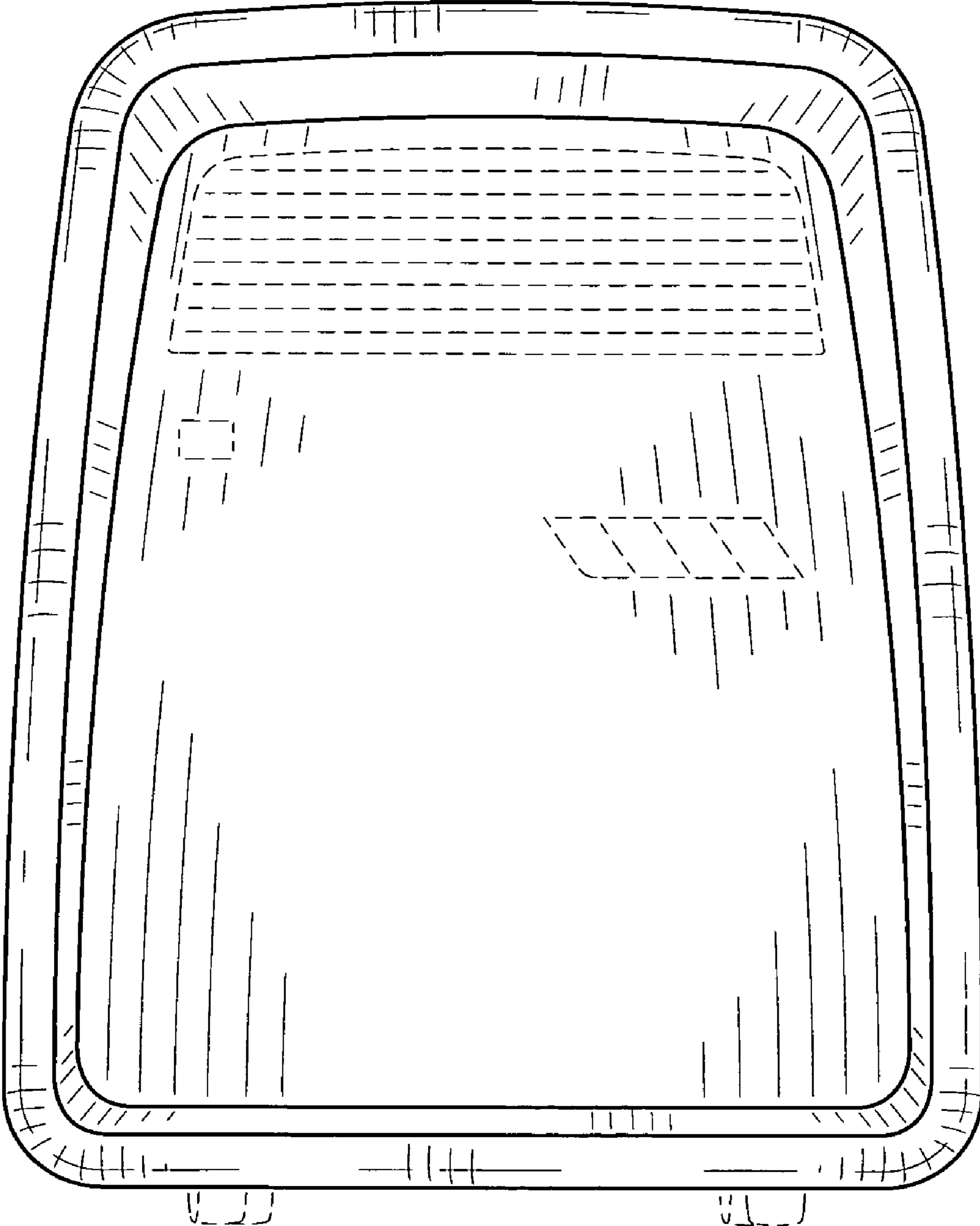


FIG. 3

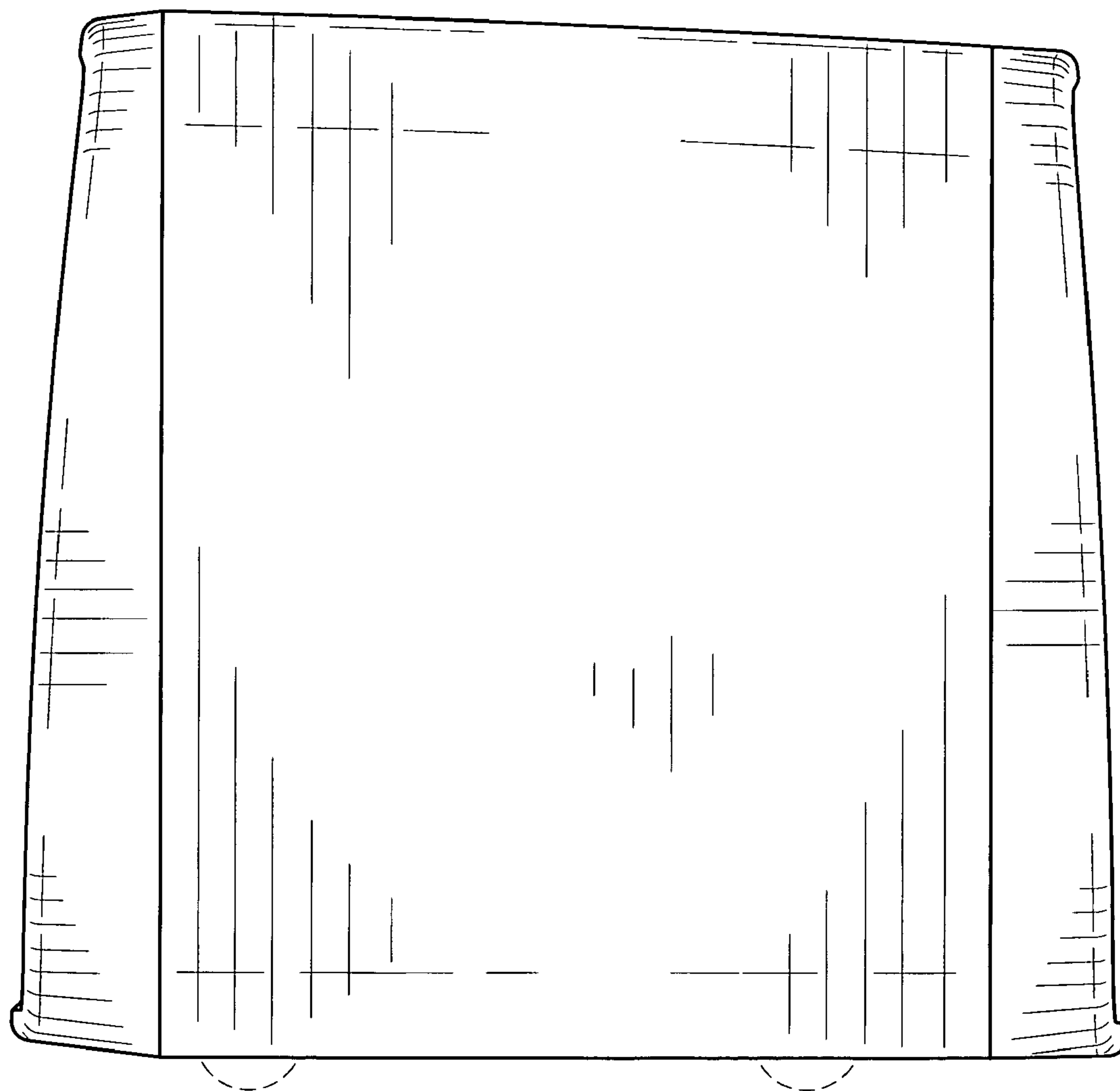


FIG. 4

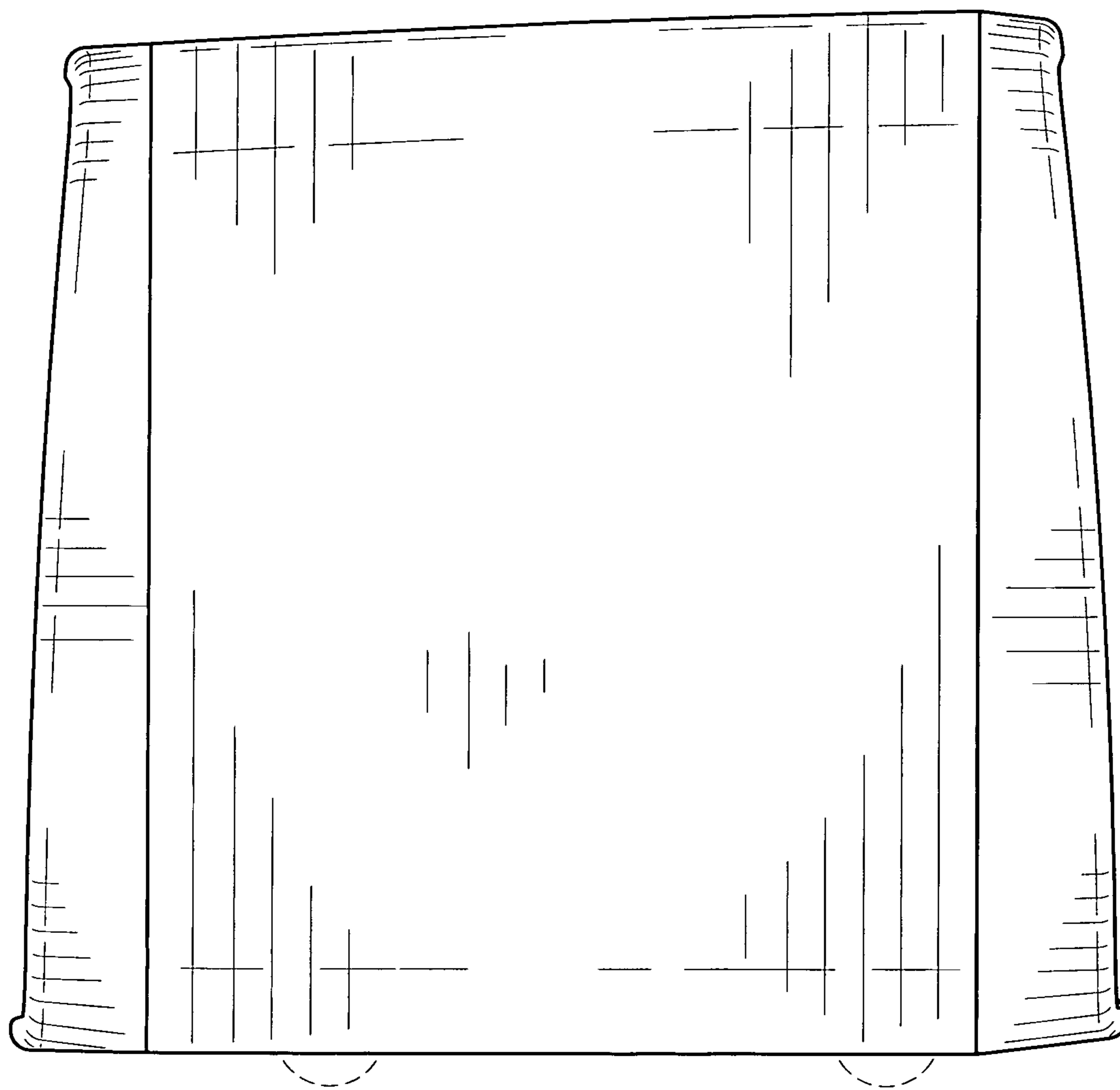


FIG. 5

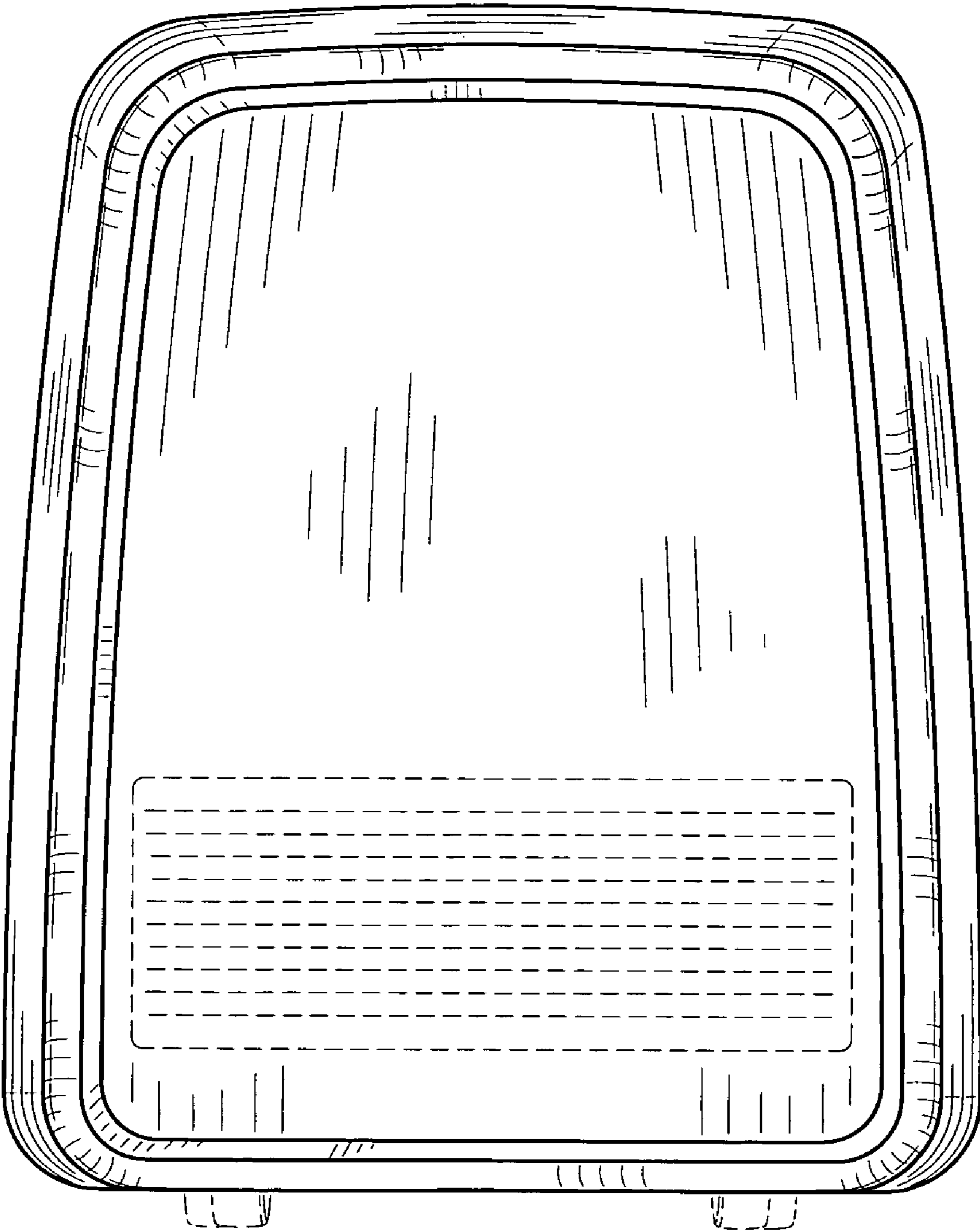


FIG. 6

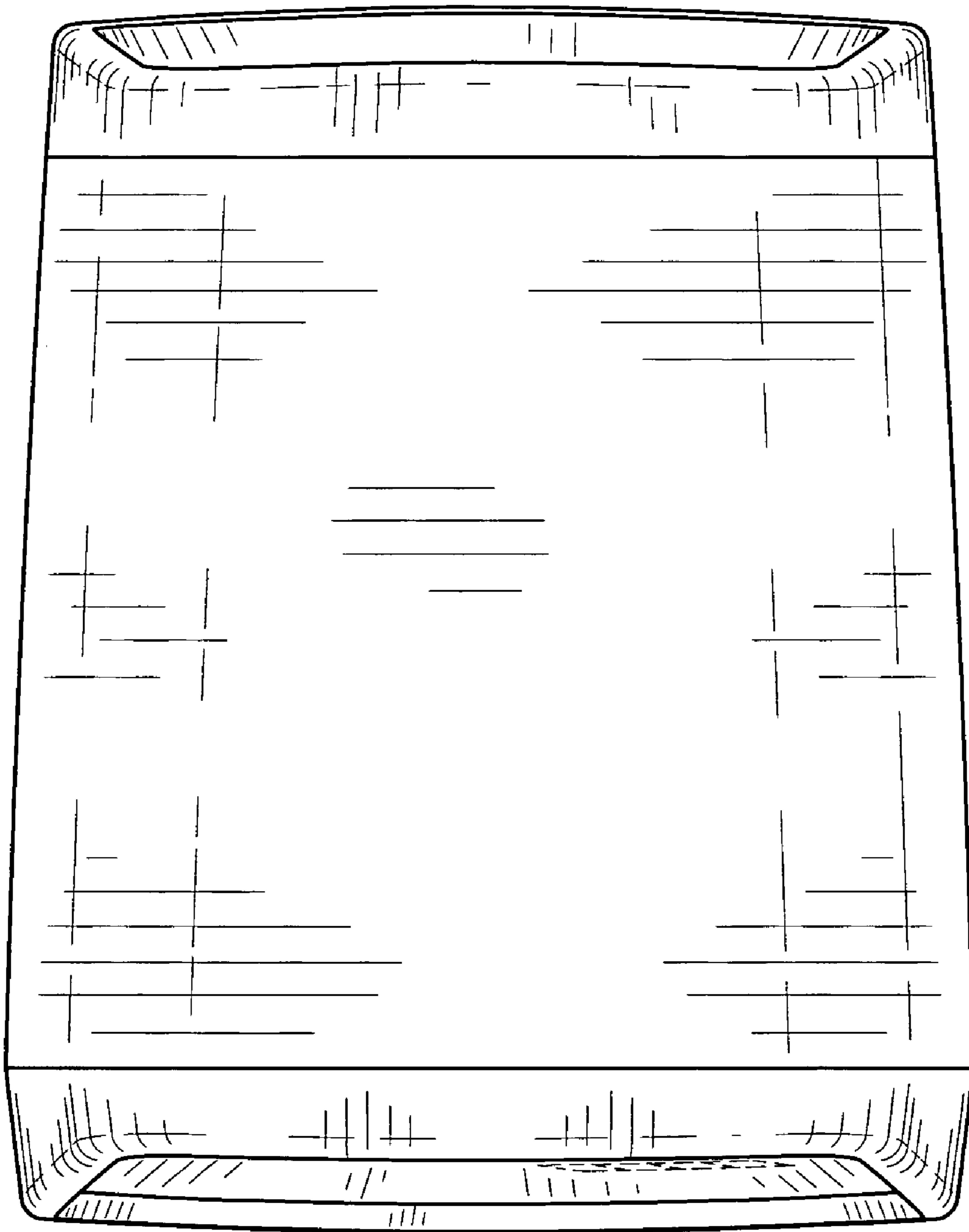


FIG. 7