



US00D639915S

(12) **United States Design Patent**  
**Barton**

(10) **Patent No.:** **US D639,915 S**

(45) **Date of Patent:** **\*\* Jun. 14, 2011**

(54) **HOSE END**

D455,815 S \* 4/2002 Bonzer ..... D23/213  
D495,026 S \* 8/2004 Fulwider ..... D23/213  
D575,377 S \* 8/2008 Roman ..... D23/259

(75) Inventor: **Richard J. Barton**, Vail, AZ (US)

(73) Assignee: **Rain Bird Corporation**, Azusa, CA (US)

(\*\*) Term: **14 Years**

(21) Appl. No.: **29/341,387**

(22) Filed: **Aug. 4, 2009**

(51) **LOC (9) Cl.** ..... **23-01**

(52) **U.S. Cl.** ..... **D23/262**

(58) **Field of Classification Search** ..... D23/223,  
D23/229, 259-269; D8/396, 397; 24/279;  
285/251-253; 411/372, 910; 239/459, 602  
See application file for complete search history.

(56) **References Cited**

**U.S. PATENT DOCUMENTS**

D275,316 S \* 8/1984 Hayes ..... D23/262  
D294,170 S \* 2/1988 Kostanecki et al. .... D23/260  
D347,467 S \* 5/1994 Medvick ..... D23/262  
D443,343 S \* 6/2001 Chien ..... D23/265

**OTHER PUBLICATIONS**

Hendrickson Bros. Price List, Effective May 1, 2006 (8 pages).  
Drawing depicting product available prior to Aug. 4, 2008 (1 page).  
Rain Bird Product Literature, Threaded Adapter (<http://www.rainbird.com/landscape/products/dripDistribution/10-32threadAdapter.htm>), this product was publicly disclosed prior to Aug. 4, 2008 (1 page).

\* cited by examiner

*Primary Examiner* — T. Chase Nelson

*Assistant Examiner* — Eric L Goodman

(74) *Attorney, Agent, or Firm* — Fitch, Even, Tabin & Flannery

(57) **CLAIM**

I claim the ornamental design for a hose end, as shown and described.

**DESCRIPTION**

FIG. 1 is a perspective view of a hose end;  
FIG. 2 is an elevational view of the hose end of FIG. 1;  
FIG. 3 is a bottom view of the hose end of FIG. 1; and,  
FIG. 4 is a top view of the hose end of FIG. 1.  
Broken lines form no part of the claimed design.

**1 Claim, 3 Drawing Sheets**

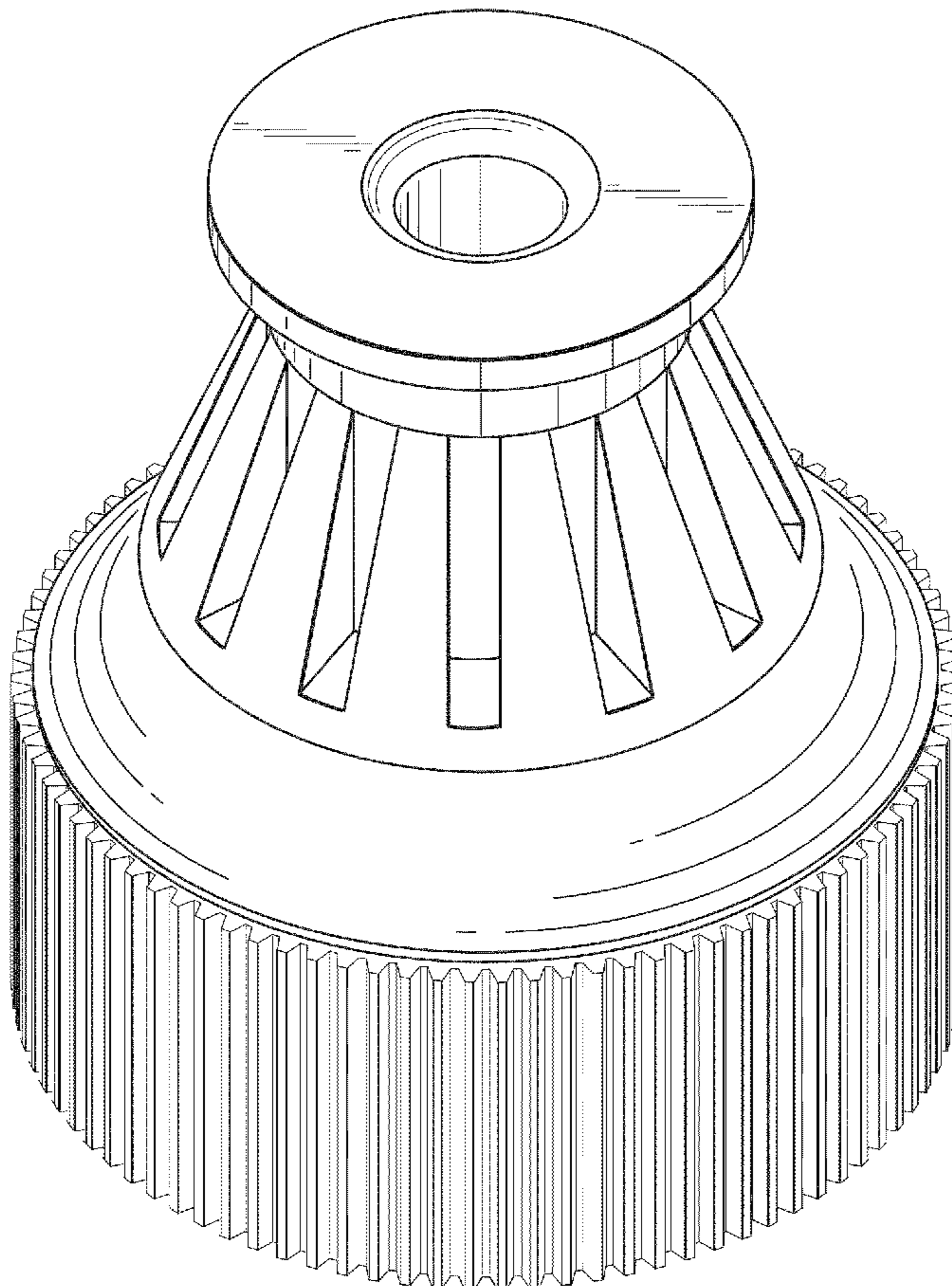


Fig. 1

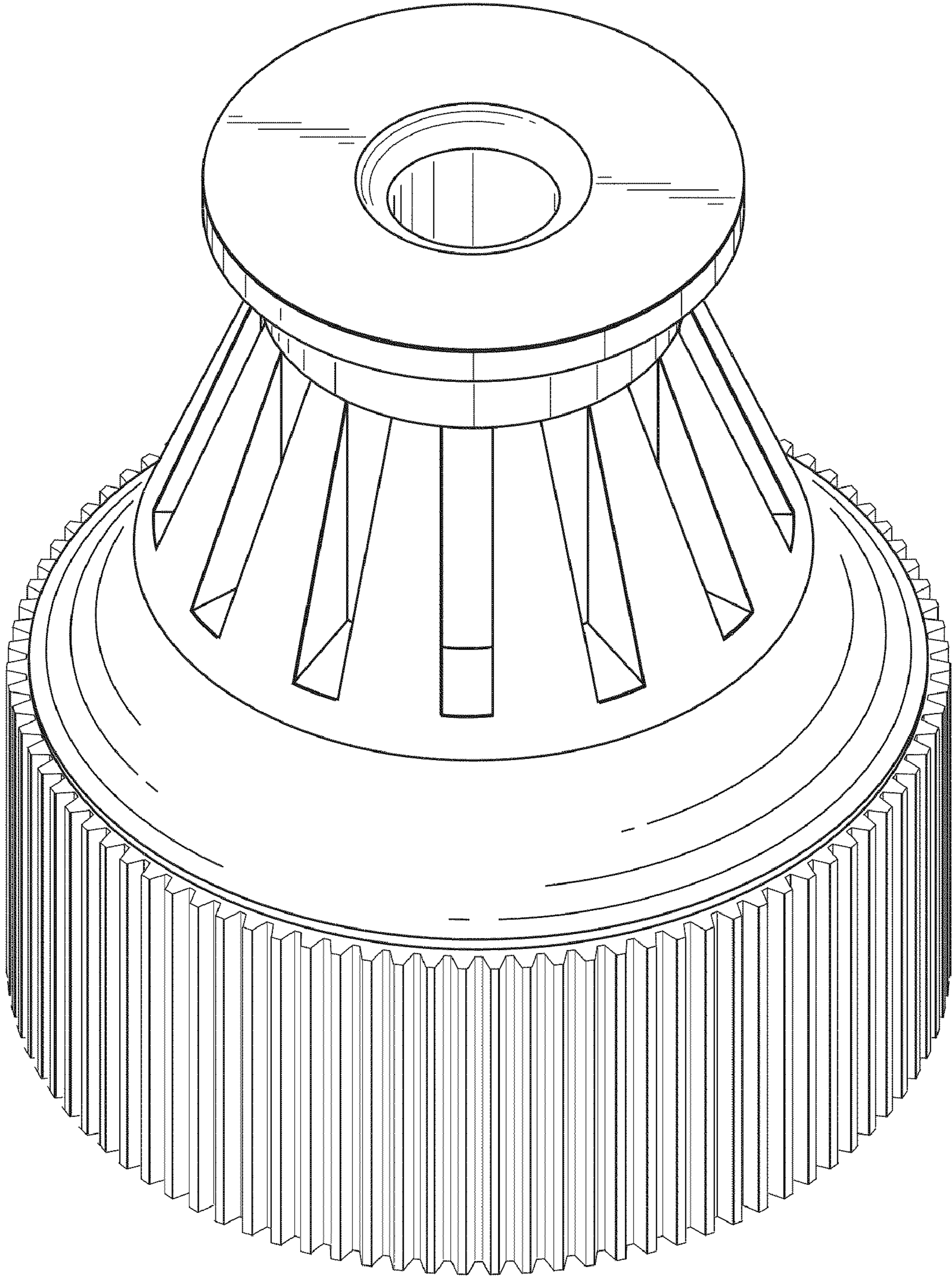


Fig. 2

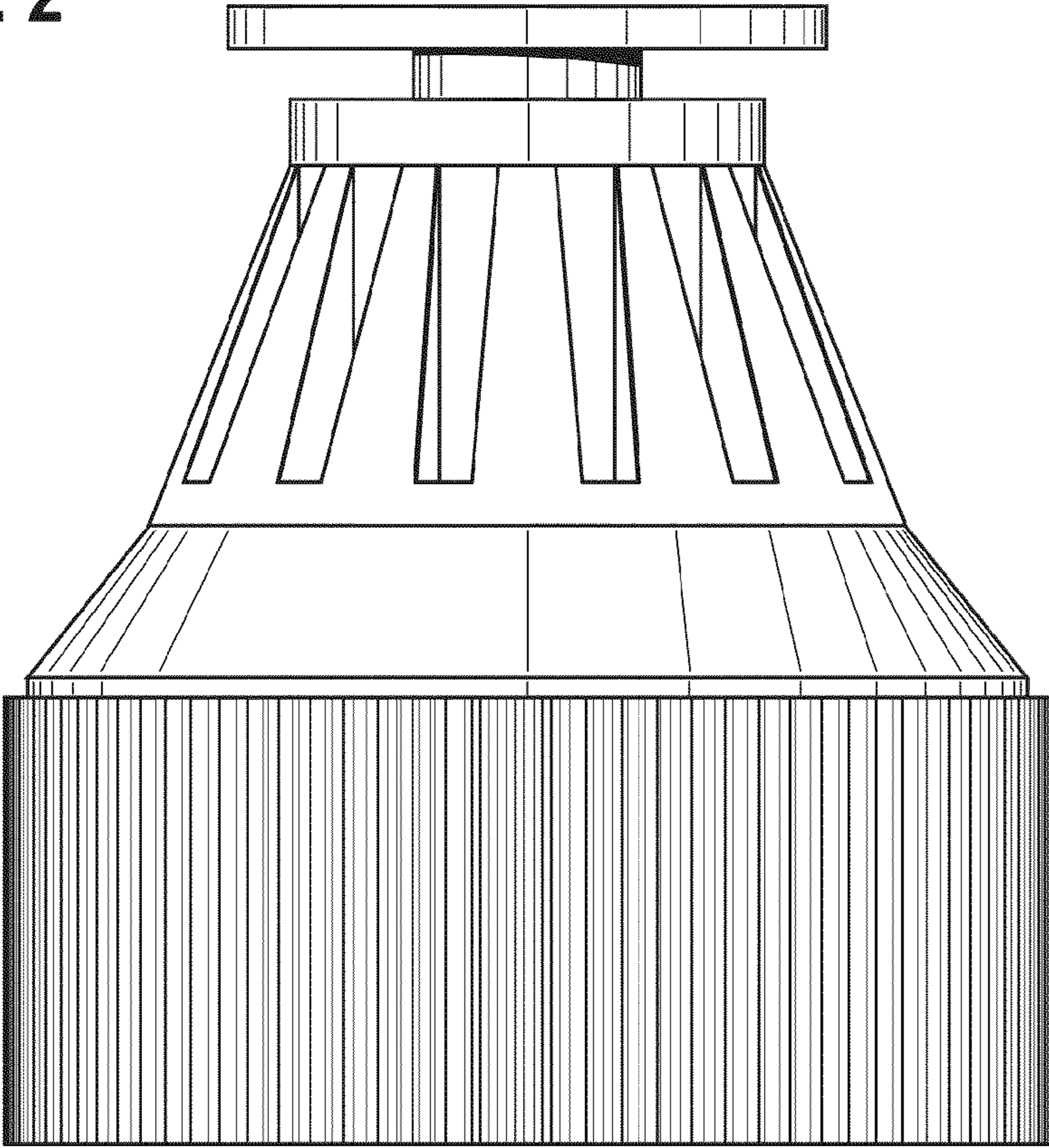
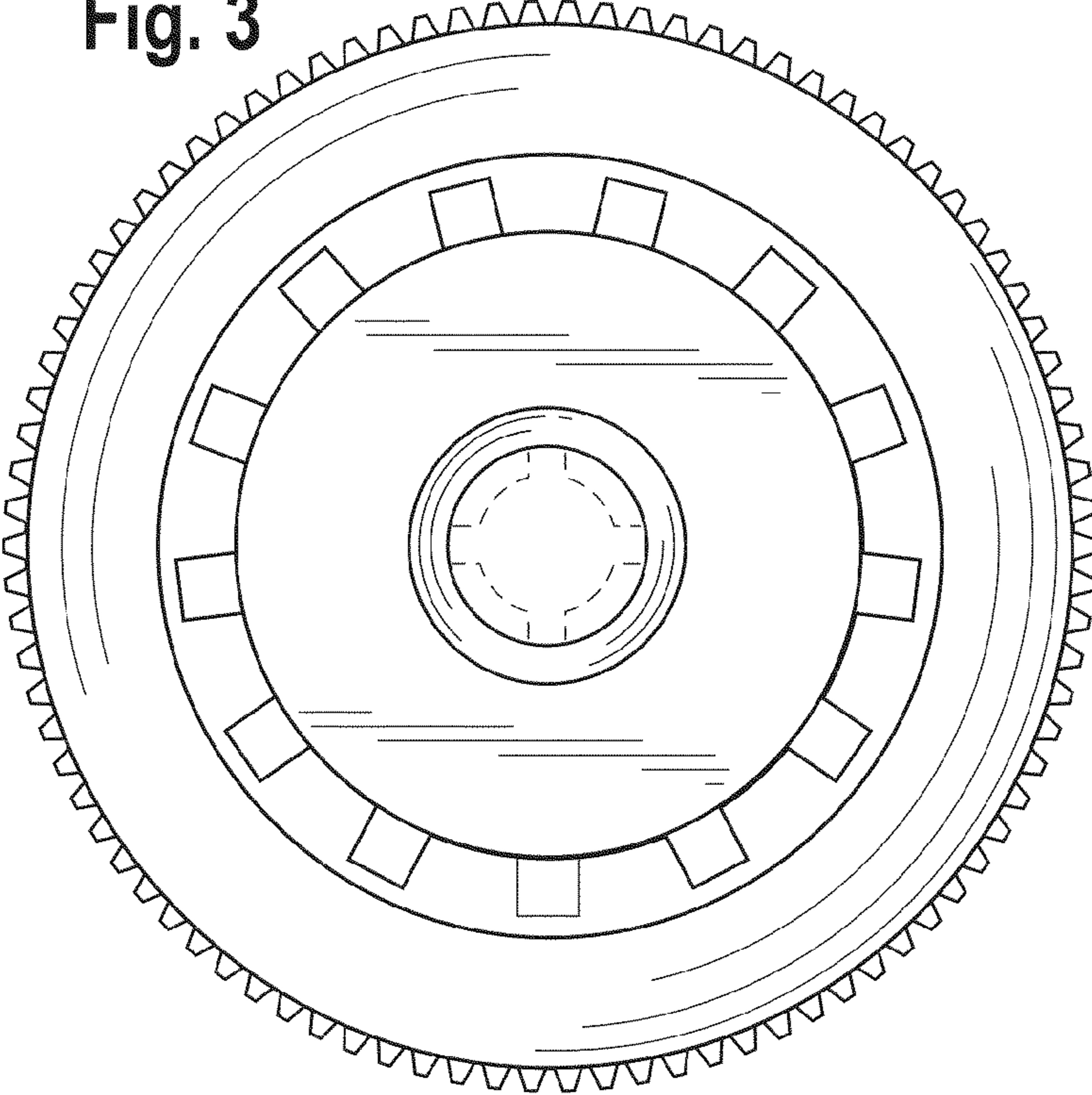


Fig. 3



**Fig. 4**

