



US00D639914S

(12) **United States Design Patent**  
**Jones et al.**

(10) **Patent No.:** **US D639,914 S**

(45) **Date of Patent:** **\*\* Jun. 14, 2011**

(54) **DECORATIVE TUB SPOUT**

(75) Inventors: **Chad H. Jones**, Frisco, TX (US); **Justin D. Pendleton**, The Colony, TX (US)

(73) Assignee: **Danco, Inc.**, Irving, TX (US)

(\*\*) Term: **14 Years**

(21) Appl. No.: **29/382,590**

(22) Filed: **Jan. 5, 2011**

(51) **LOC (9) Cl.** ..... **23-01**

(52) **U.S. Cl.** ..... **D23/256**

(58) **Field of Classification Search** ..... D23/238,  
D23/241–242, 255, 257, 249; 4/675–678;  
137/801

See application file for complete search history.

(56) **References Cited**

**U.S. PATENT DOCUMENTS**

D590,051 S \* 4/2009 Huang ..... D23/255

D626,634 S \* 11/2010 Lammel et al. .... D23/255

\* cited by examiner

*Primary Examiner* — Robert A Delehanty

(74) *Attorney, Agent, or Firm* — Locke Lord Bissell & Liddell, LLP

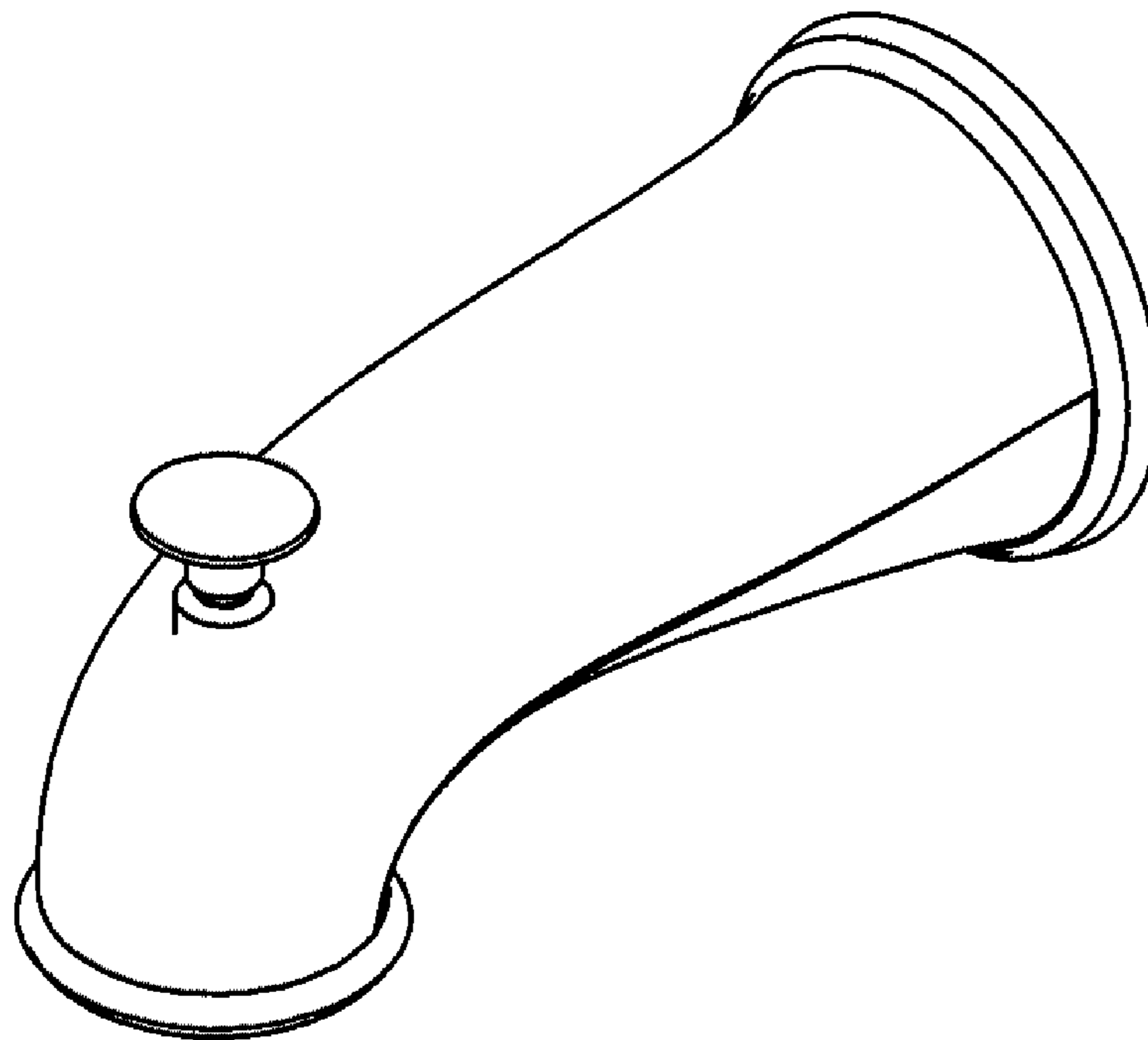
(57) **CLAIM**

The ornamental design for a decorative tub spout, as shown and described.

**DESCRIPTION**

FIG. 1 is a top plan view;  
FIG. 2 is a front elevation view;  
FIG. 3 is a bottom plan view;  
FIG. 4 is a left side elevation view;  
FIG. 5 is a right side elevation view;  
FIG. 6 is a top left perspective view;  
FIG. 7 is a top right perspective view;  
FIG. 8 is a bottom right perspective view; and,  
FIG. 9 is a bottom left perspective view.

**1 Claim, 2 Drawing Sheets**



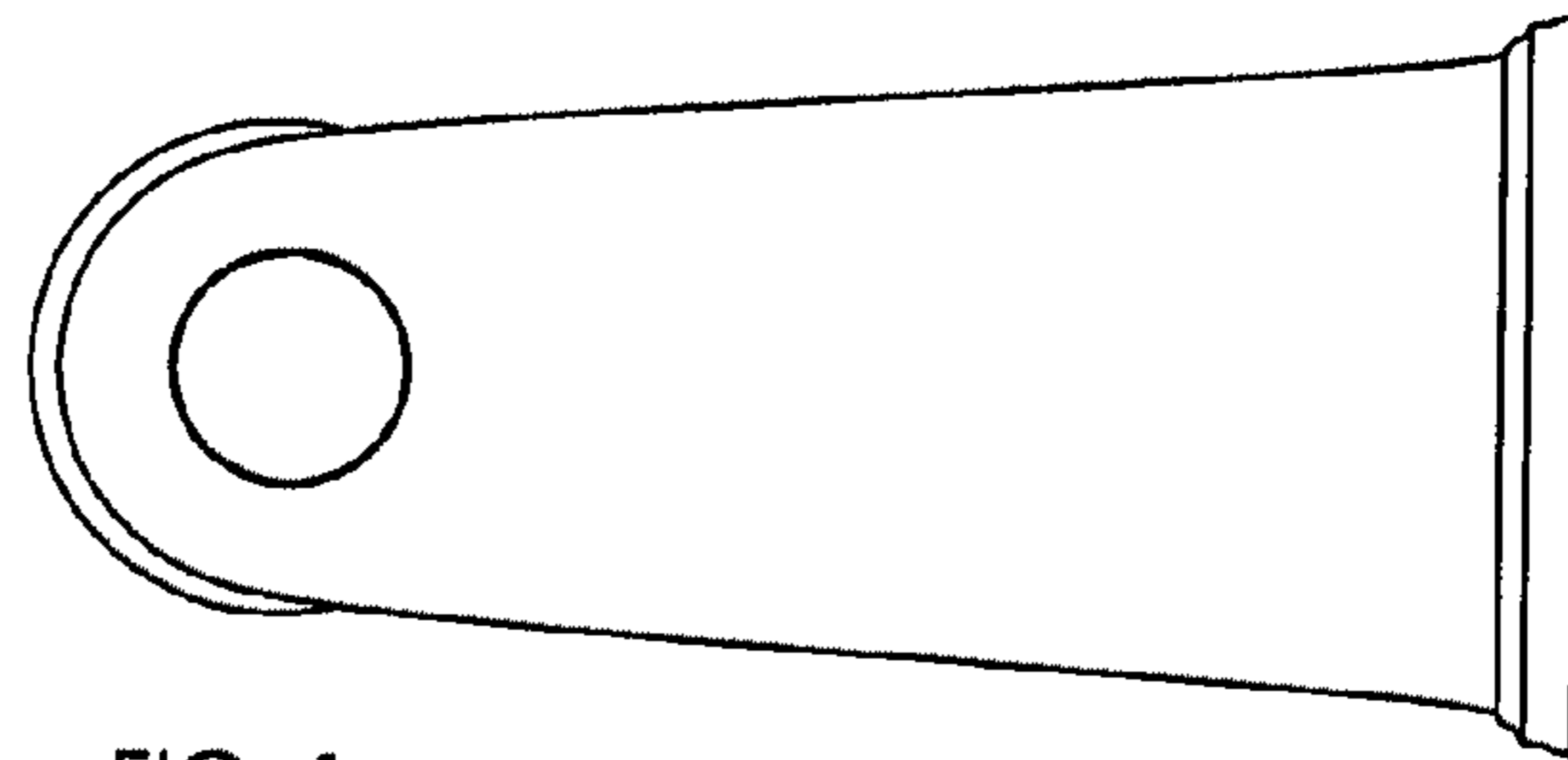


FIG. 1

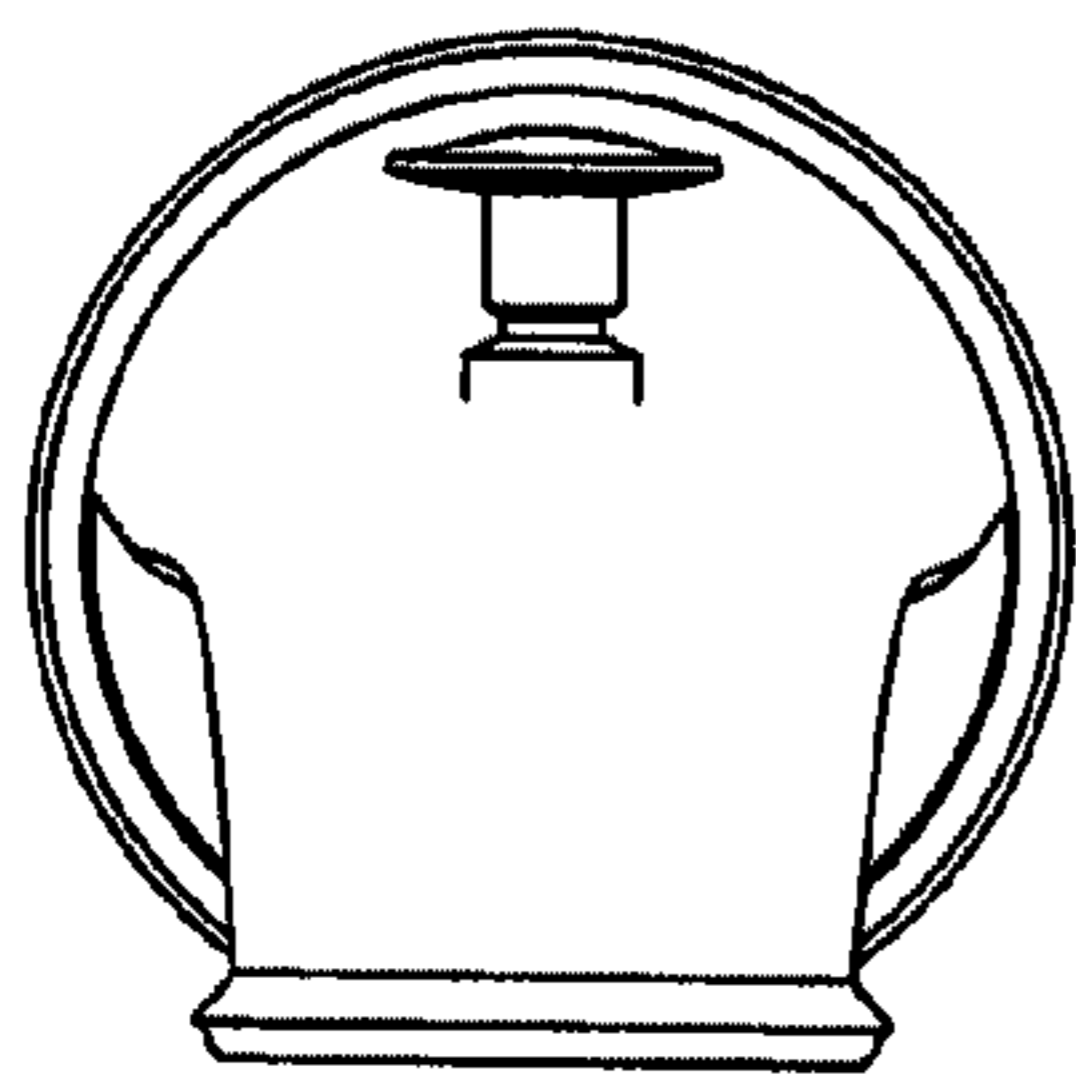


FIG. 4

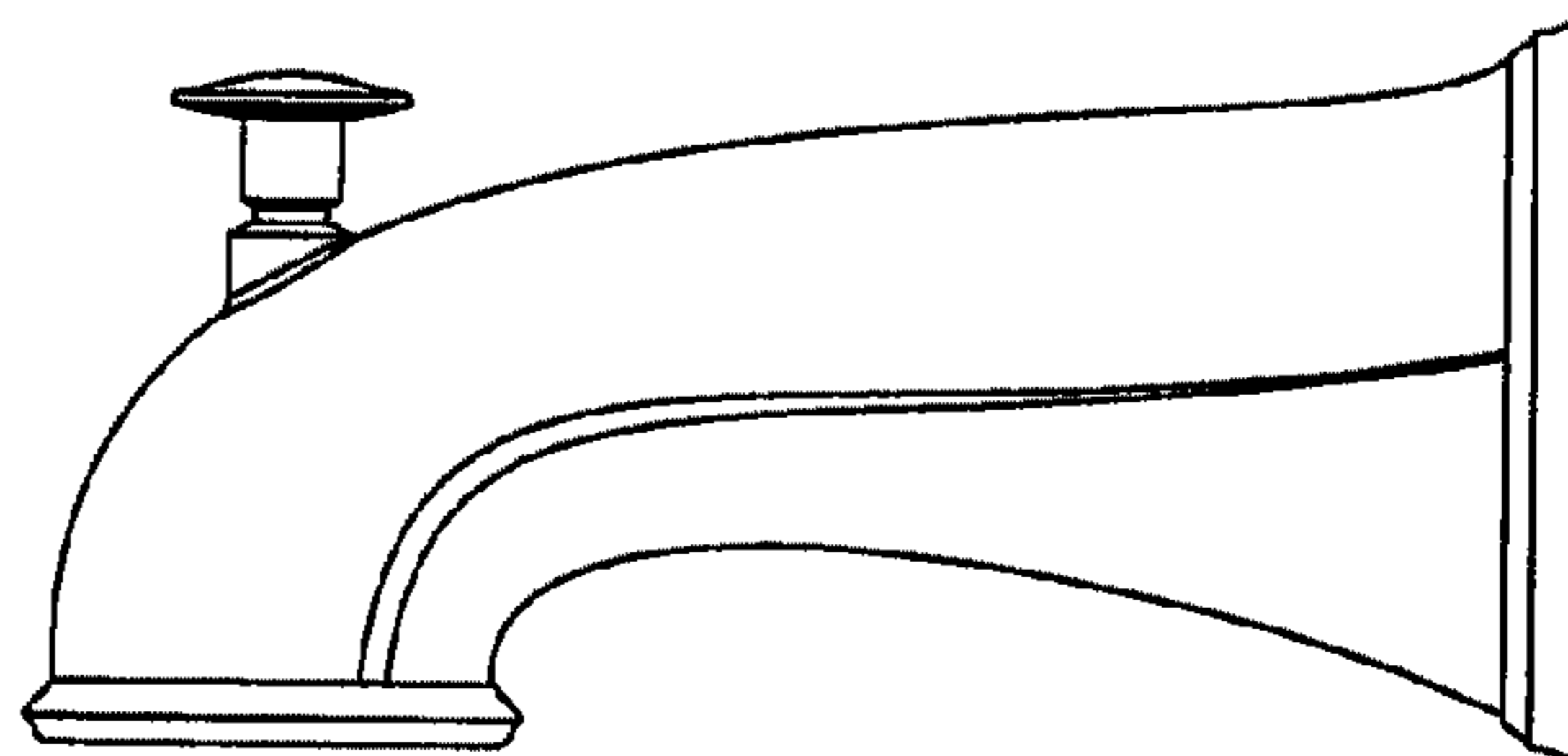


FIG. 2

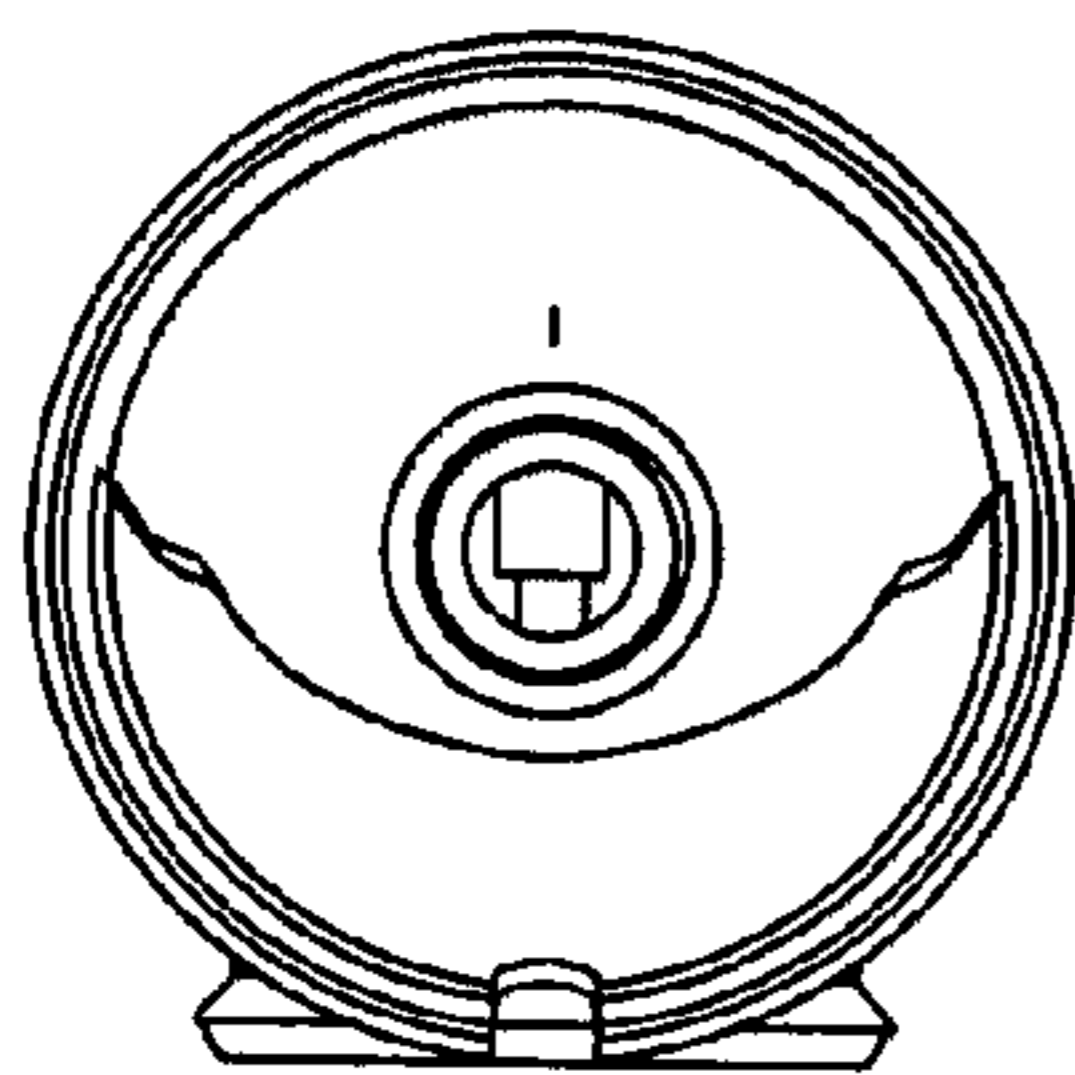


FIG. 5

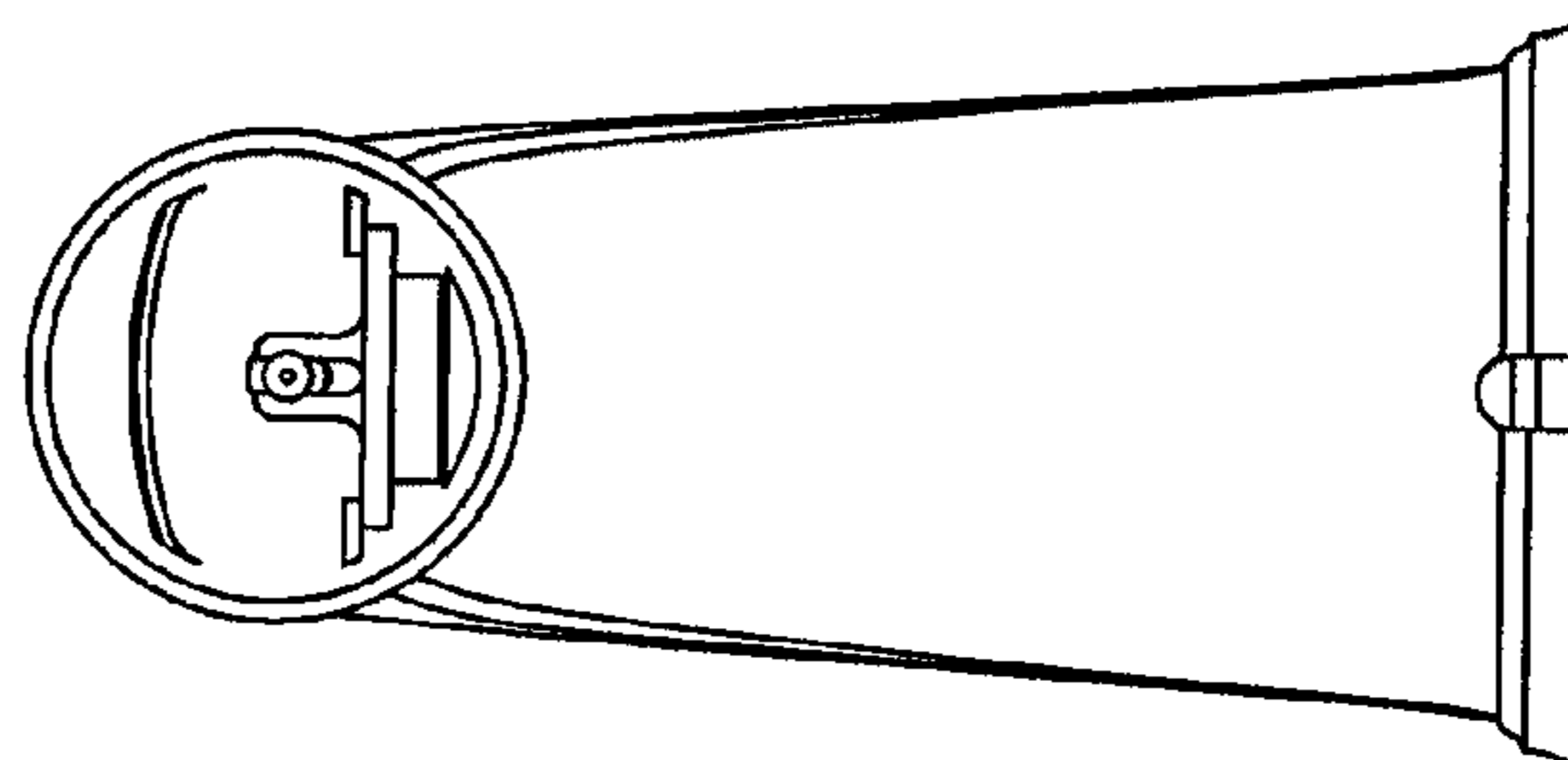


FIG. 3

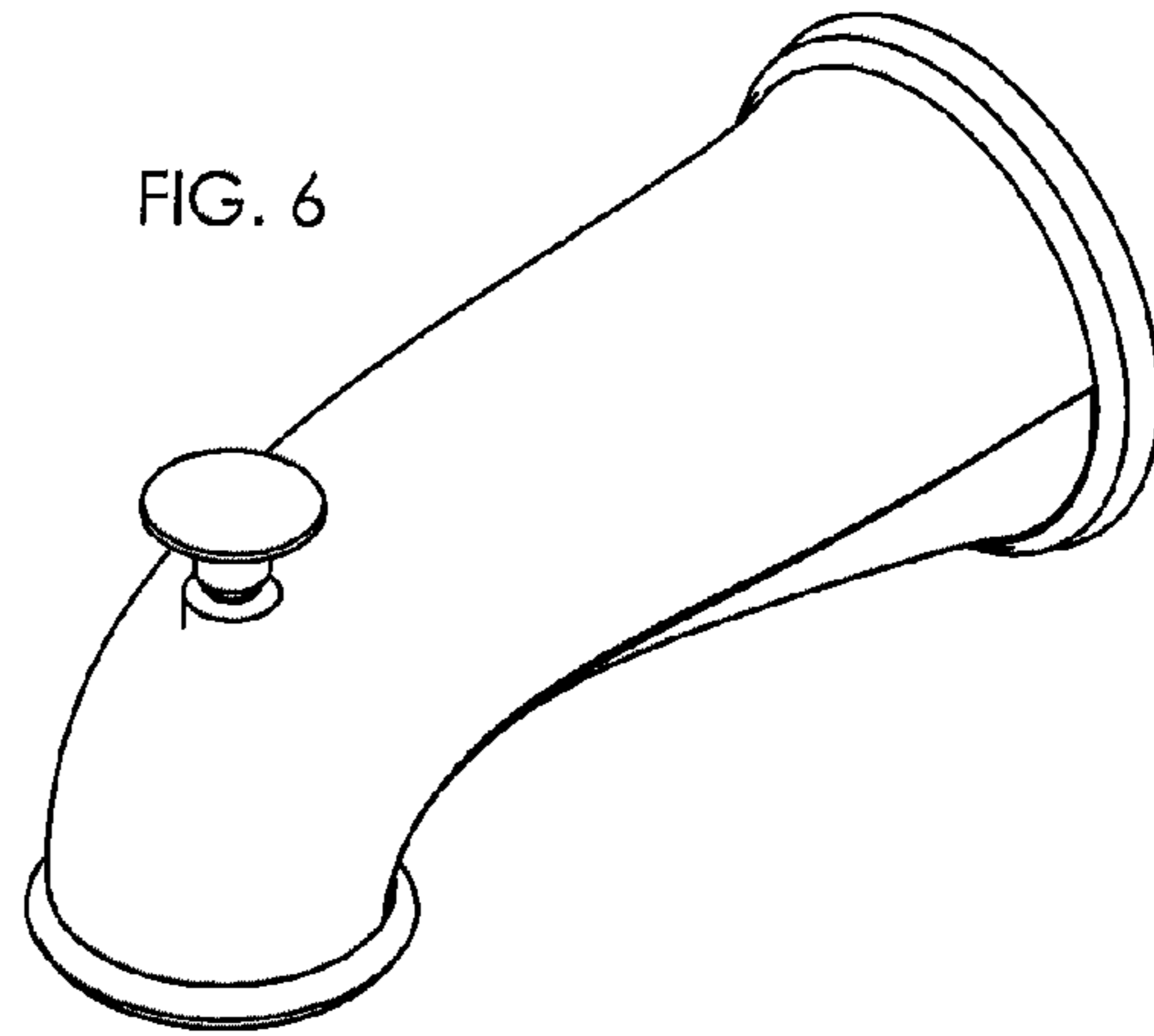


FIG. 6

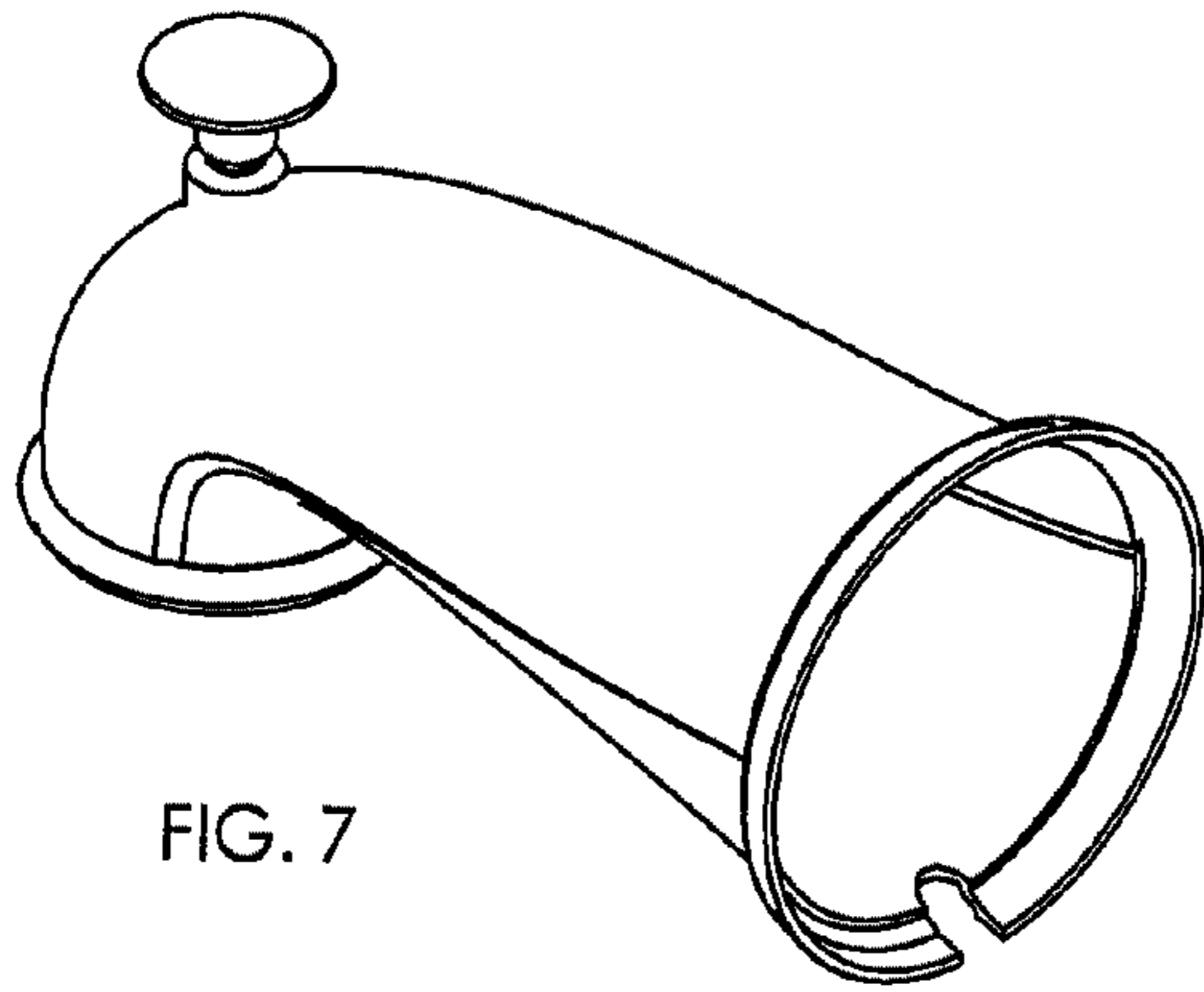


FIG. 7

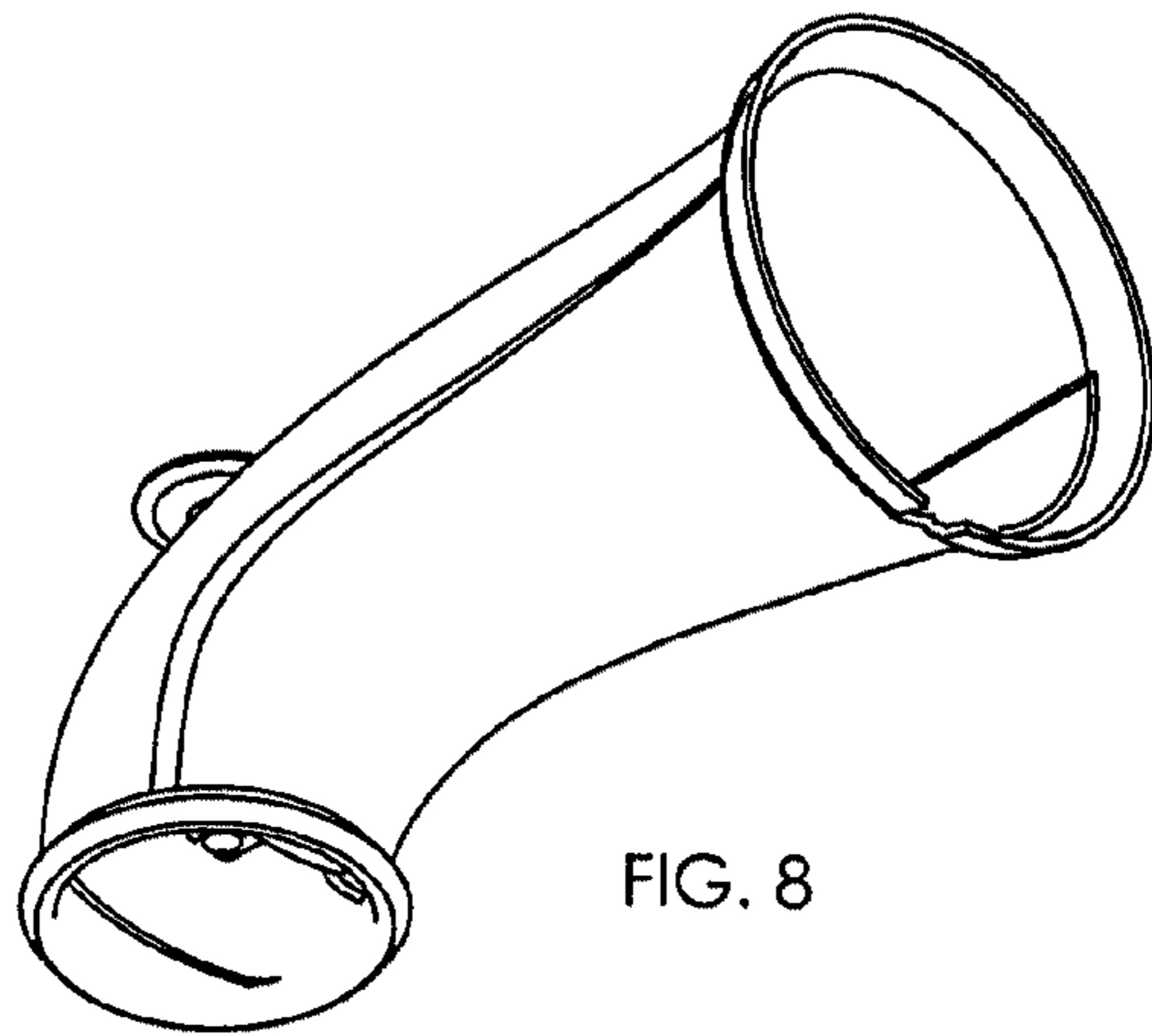


FIG. 8

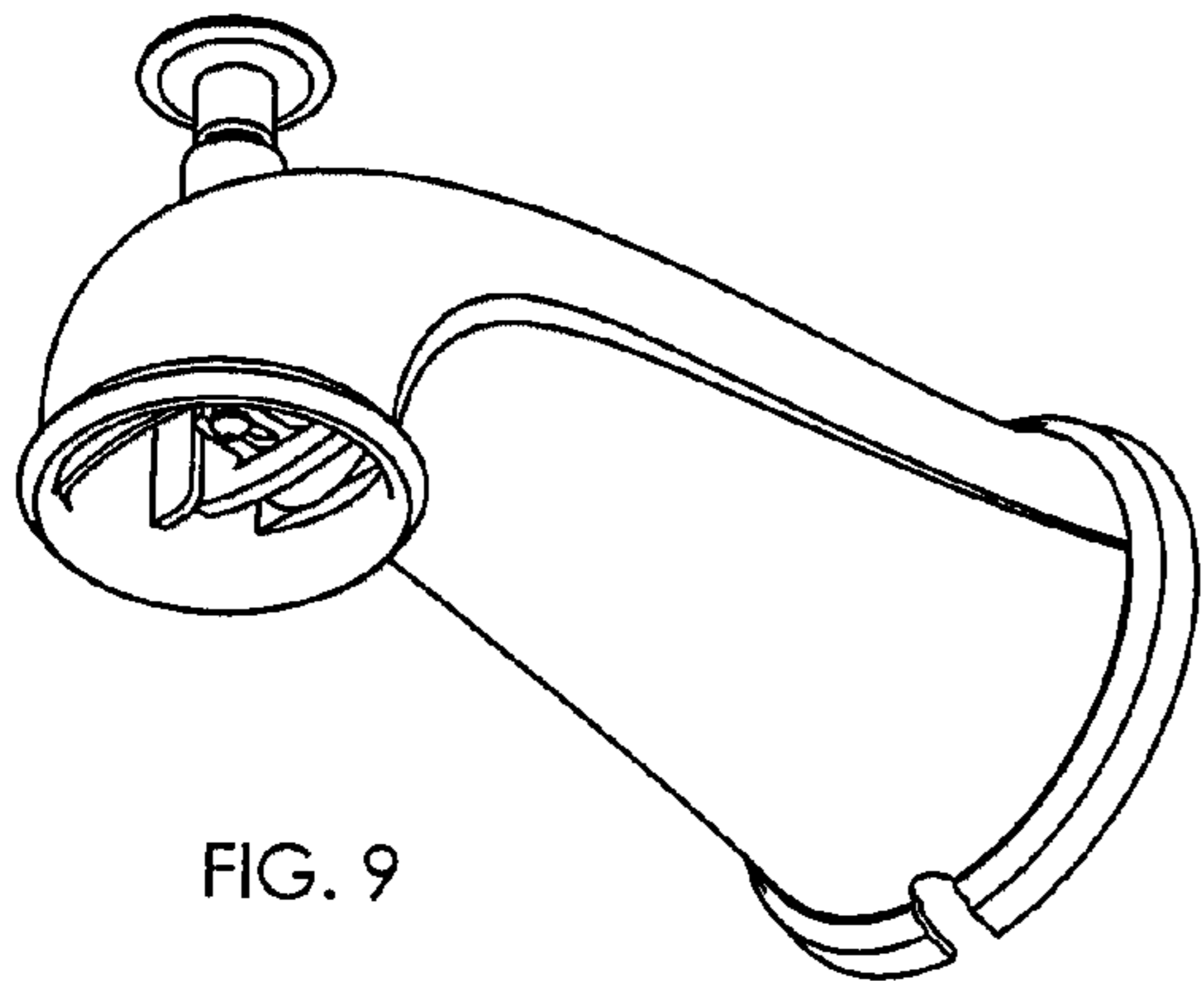


FIG. 9