



US00D639912S

(12) **United States Design Patent**
Schoenherr et al.

(10) **Patent No.:** **US D639,912 S**
(45) **Date of Patent:** **** Jun. 14, 2011**

(54) **FAUCET**

(75) Inventors: **Tom Schoenherr**, Stuttgart (DE); **Erkan Bilgic**, Stuttgart (DE)

(73) Assignee: **Hansgrohe AG**, Schiltach (DE)

(**) Term: **14 Years**

(21) Appl. No.: **29/367,365**

(22) Filed: **Aug. 6, 2010**

(30) **Foreign Application Priority Data**

Feb. 10, 2010 (EM) 001194757-0010

(51) **LOC (9) Cl.** **23-01**

(52) **U.S. Cl.** **D23/252**

(58) **Field of Classification Search** D23/250–252,
D23/254; 4/675–678; 137/801

See application file for complete search history.

(56) **References Cited**

U.S. PATENT DOCUMENTS

D601,228 S * 9/2009 Schoenherr et al. D23/252
D606,170 S * 12/2009 Lammel et al. D23/252
D609,788 S * 2/2010 Schoenherr et al. D23/250

* cited by examiner

Primary Examiner — Robert Delehanty

(74) *Attorney, Agent, or Firm* — Nirav D. Parikh; Lora J. Graentzdoerffer; Edgar A. Zarins

(57) **CLAIM**

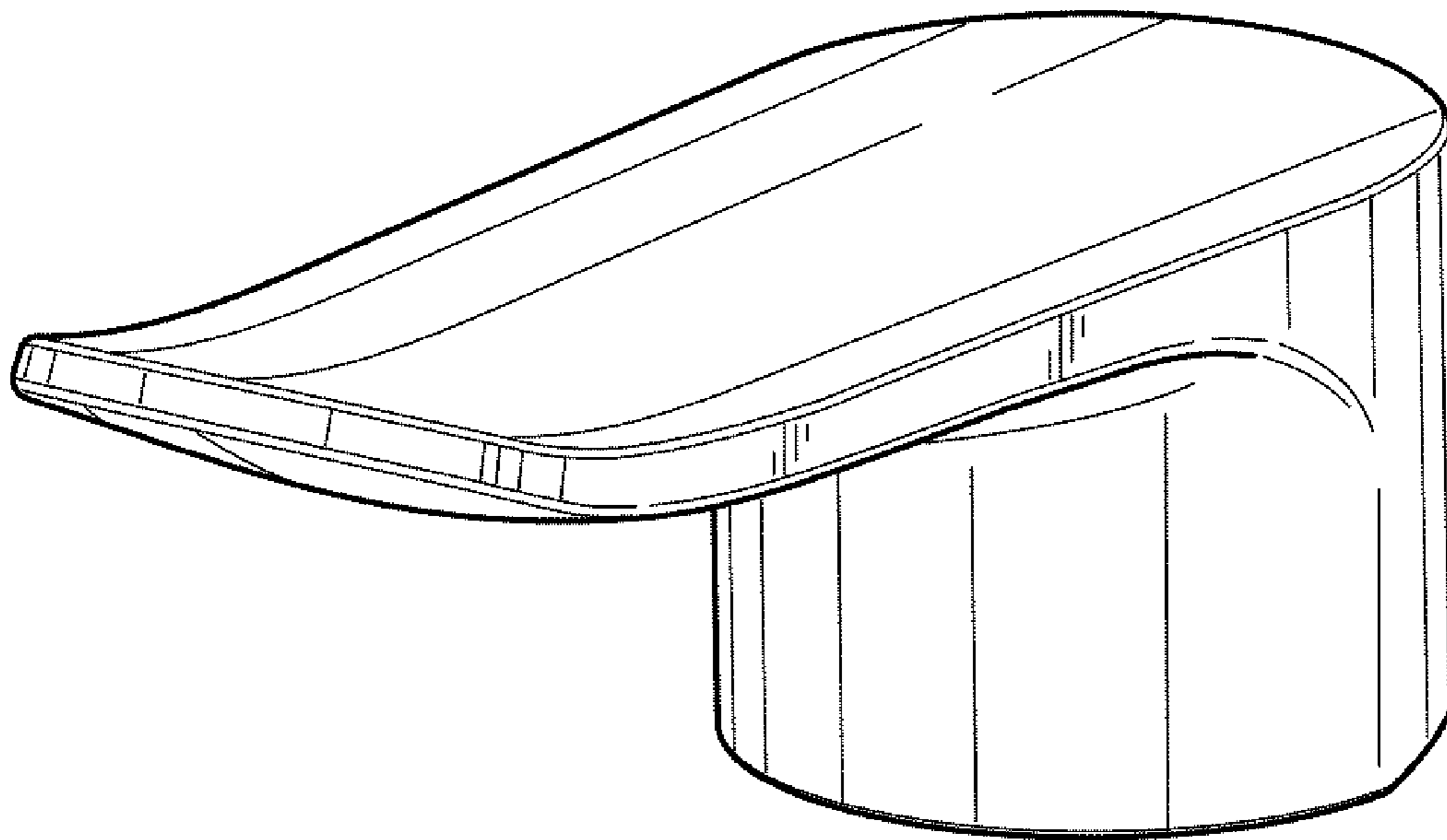
The ornamental design for a faucet, as shown and described.

DESCRIPTION

FIG. 1 is a perspective view of a faucet showing our design; FIG. 2 is a front elevational view thereof; FIG. 3 is a rear elevational view thereof; FIG. 4 is a left side elevational view thereof; the right side elevational view being a mirror image thereof; FIG. 5 is a top plan view thereof; and, FIG. 6 is a bottom plan view thereof.

The broken lines in the drawings represent unclaimed portions of the design and form no part of the claimed design.

1 Claim, 6 Drawing Sheets



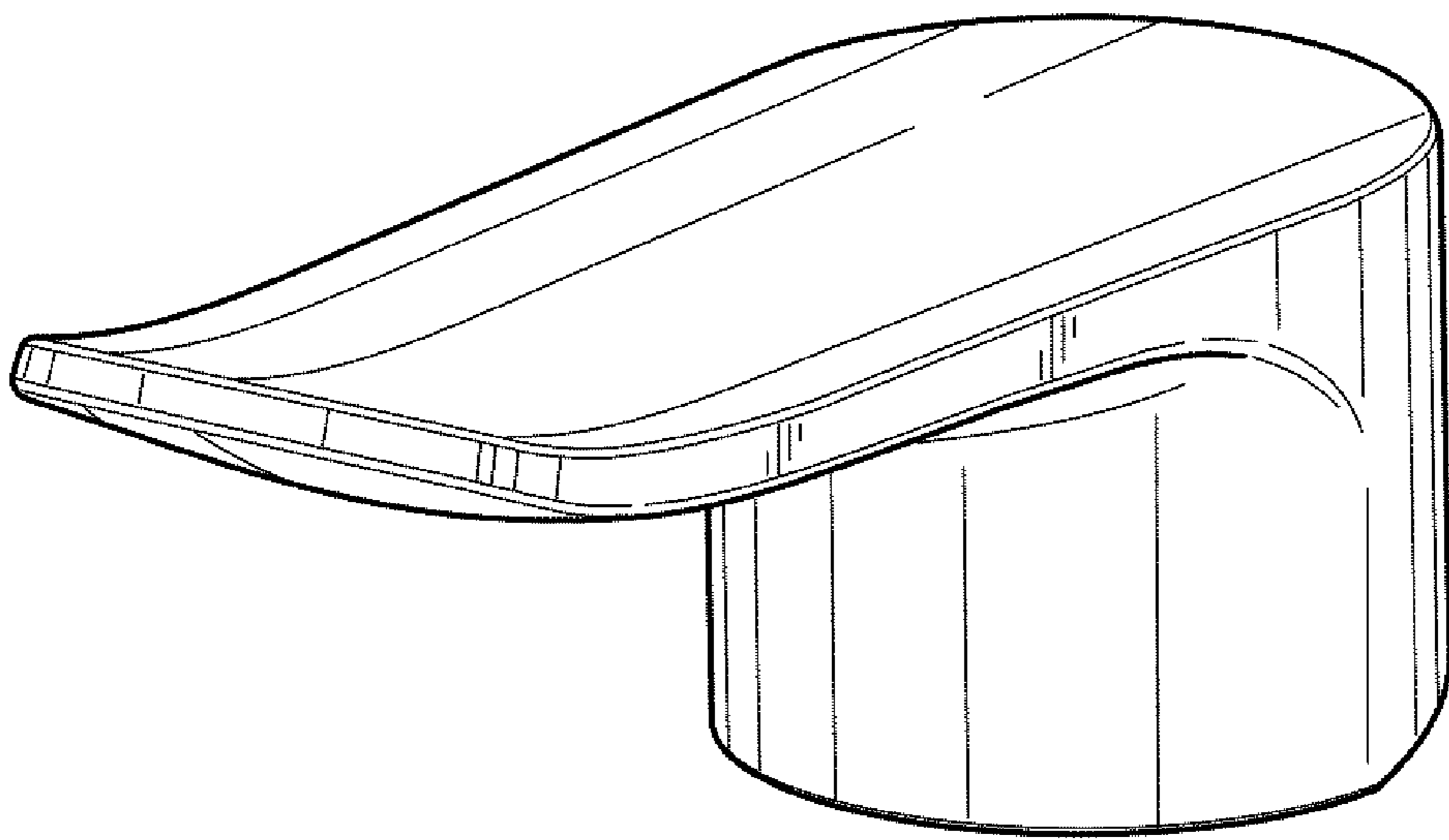


FIG. 1

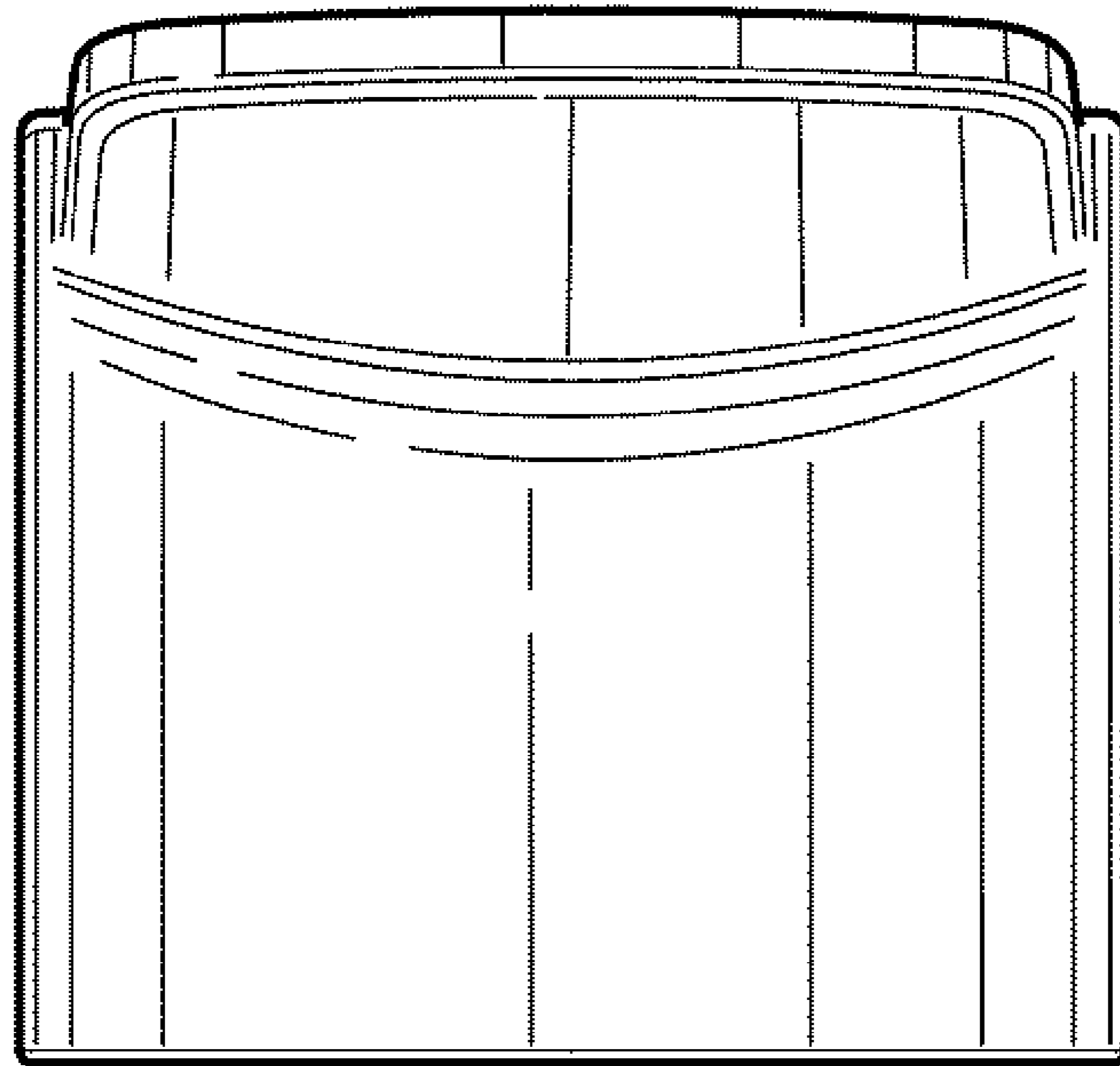


FIG. 2

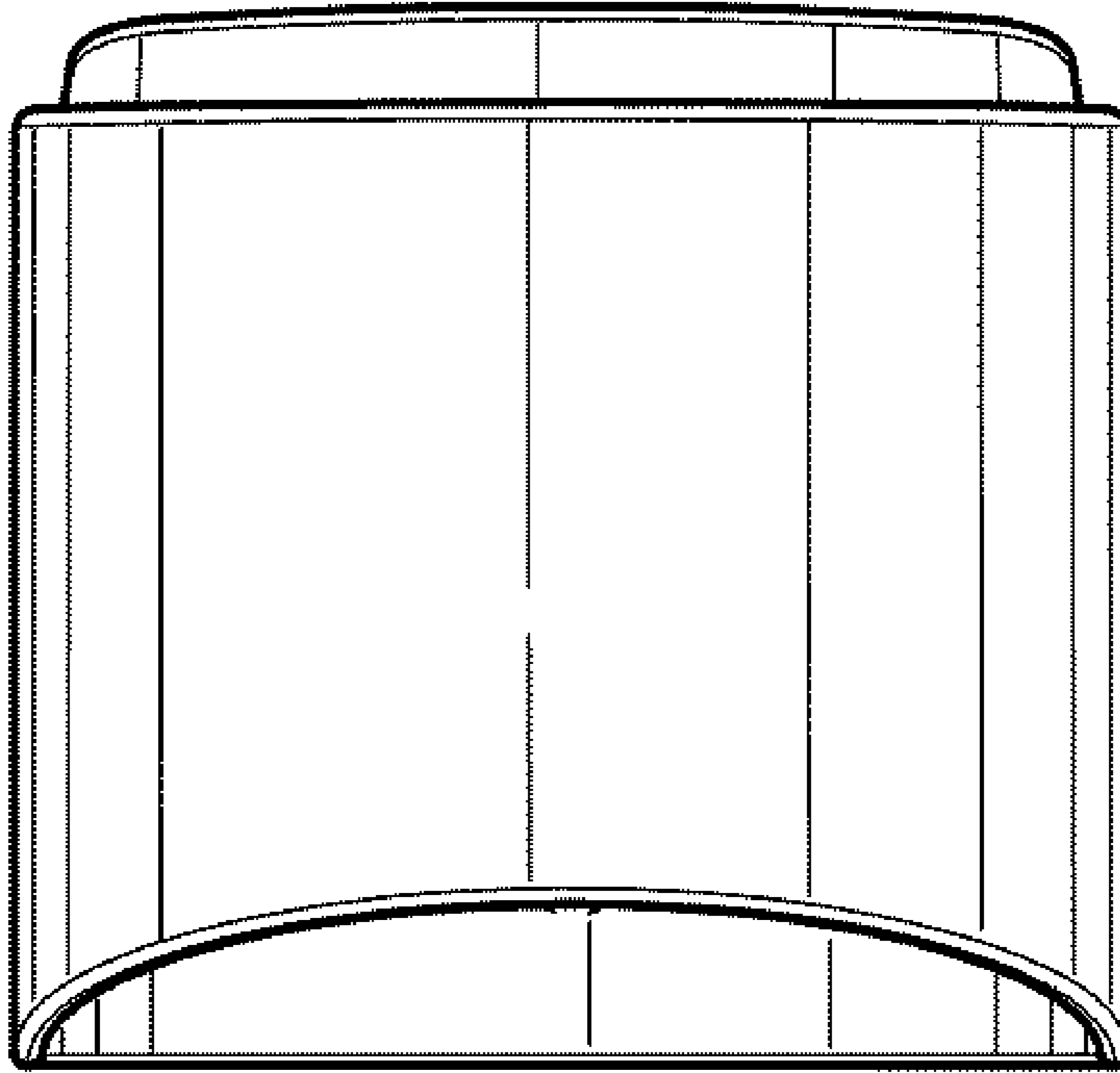


FIG. 3

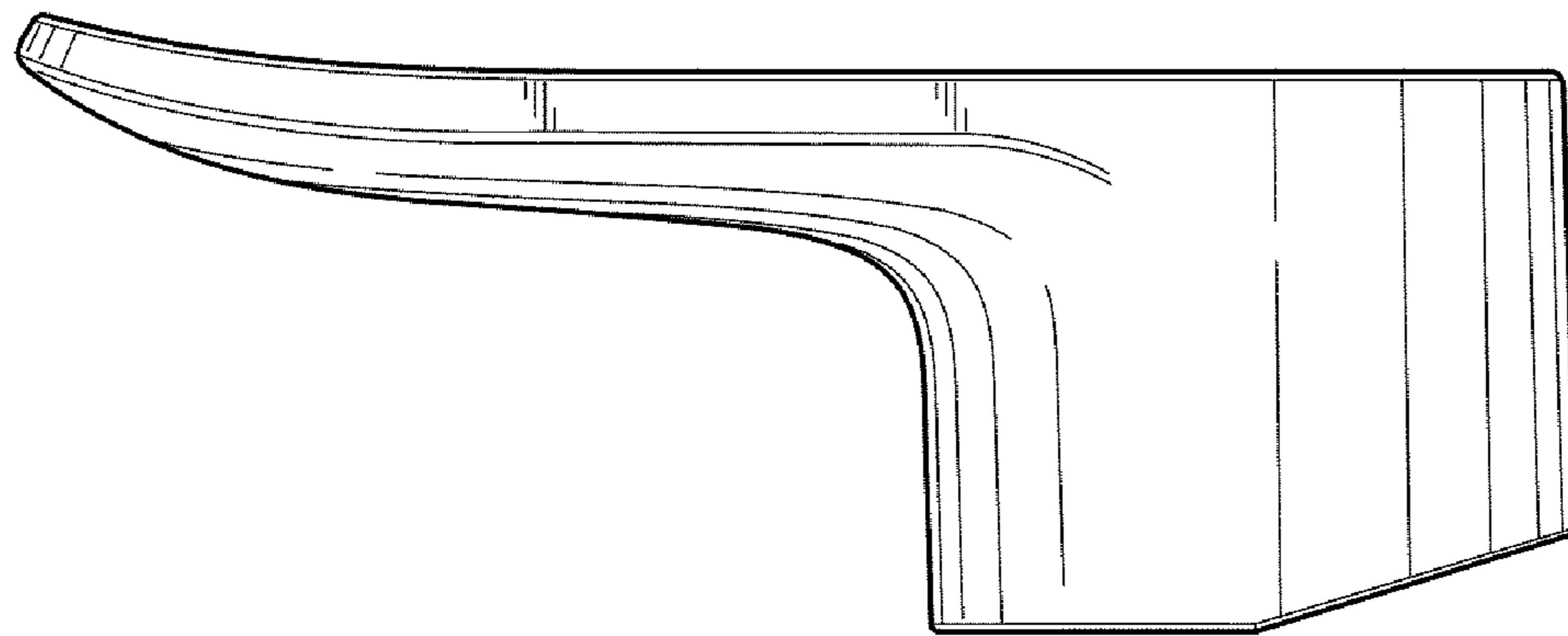


FIG. 4

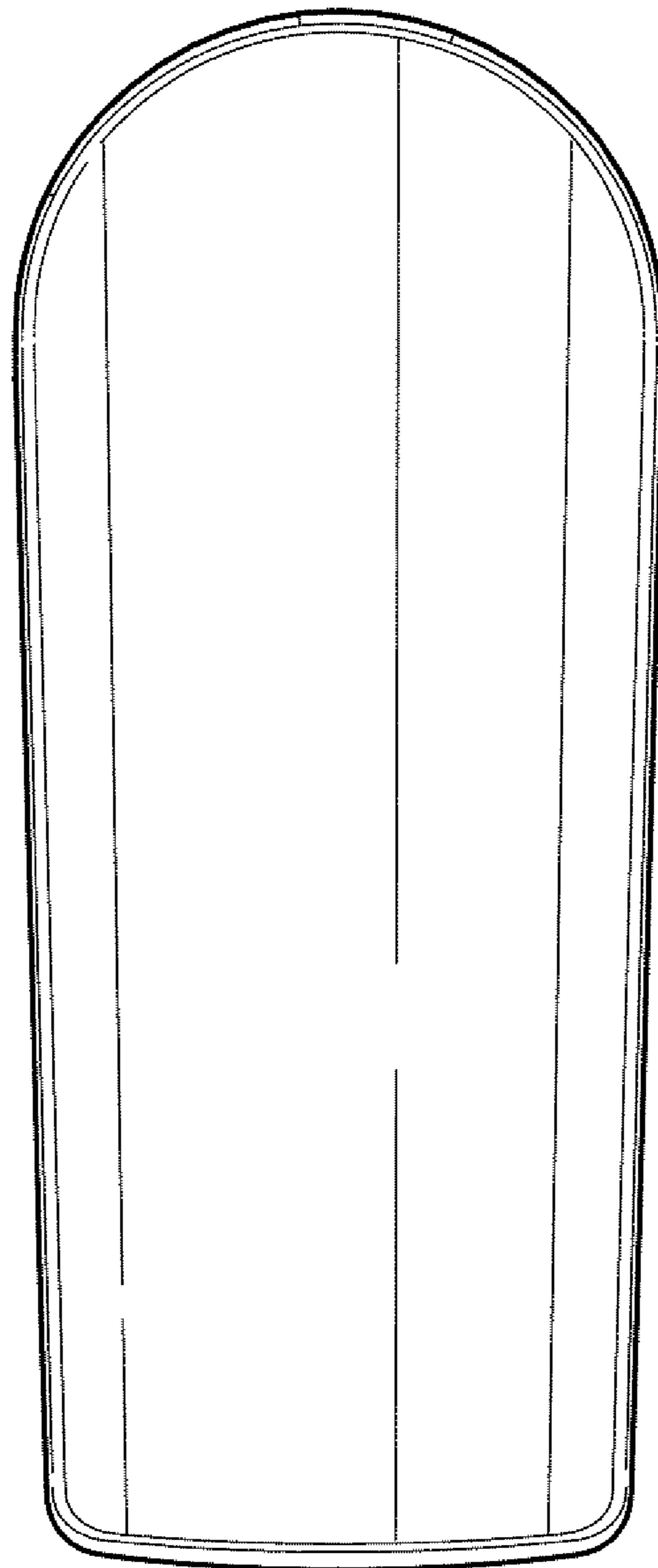


FIG. 5

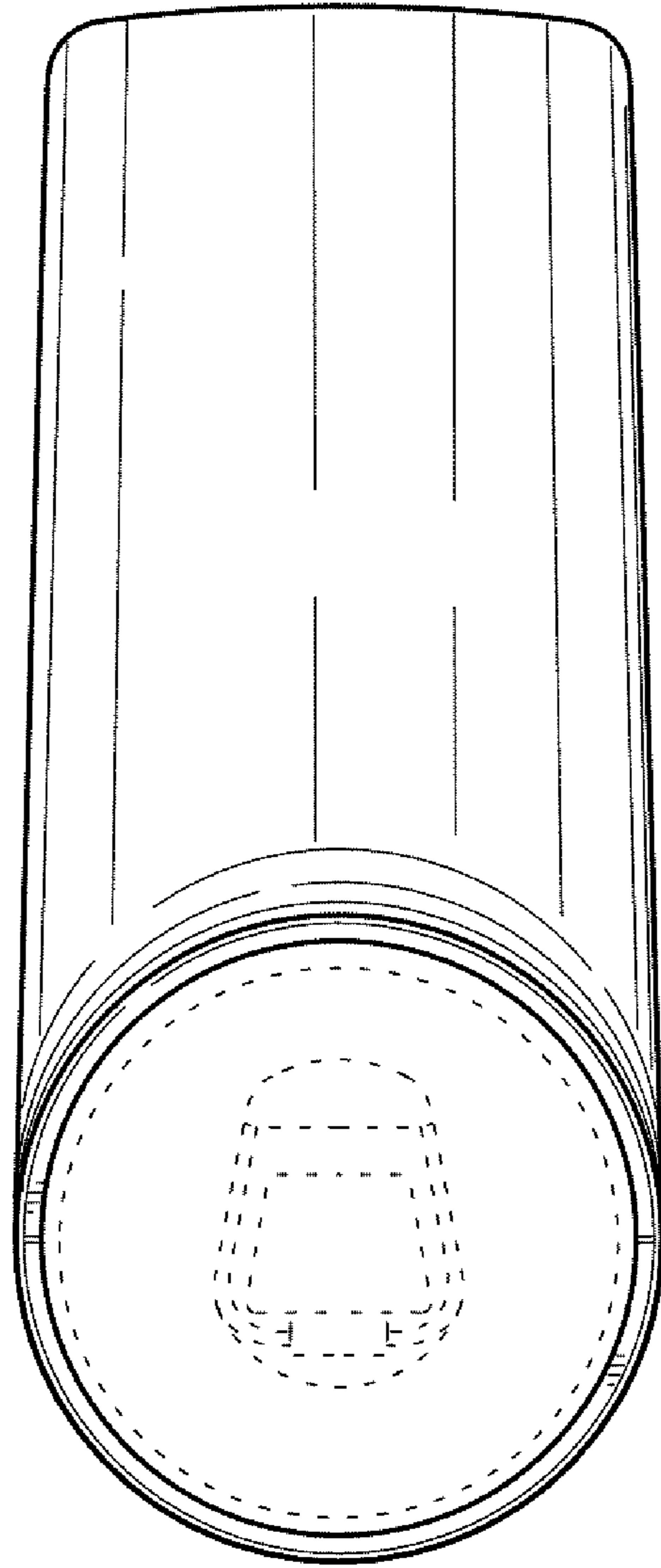


FIG. 6