



US00D639911S

(12) **United States Design Patent**
Blum

(10) **Patent No.:** **US D639,911 S**
(45) **Date of Patent:** **** Jun. 14, 2011**

(54) **FLOW REGULATOR**

(75) Inventor: **Gerhard Blum**, Gutach (DE)

(73) Assignee: **Neoperl GmbH**, Mullheim (DE)

(**) Term: **14 Years**

(21) Appl. No.: **29/379,367**

(22) Filed: **Nov. 18, 2010**

(30) **Foreign Application Priority Data**

May 27, 2010 (EM) 1216642

(51) **LOC (9) Cl.** **23-01**

(52) **U.S. Cl.** **D23/249**

(58) **Field of Classification Search** D23/213,
D23/233-237, 244-249, 255, 257, 259, 260;
138/37, 40-42; 239/3, 428.5, 552, 553, 553.5;
261/DIG. 22

See application file for complete search history.

(56) **References Cited**

U.S. PATENT DOCUMENTS

D529,588 S * 10/2006 Grether D23/249

D605,732 S * 12/2009 Stein D23/249

D612,911 S * 3/2010 Grether D23/249

D622,355 S * 8/2010 Grether D23/249

* cited by examiner

Primary Examiner — Cathron C. Brooks

Assistant Examiner — Maurice Stevens

(74) *Attorney, Agent, or Firm* — Volpe and Koenig, P.C.

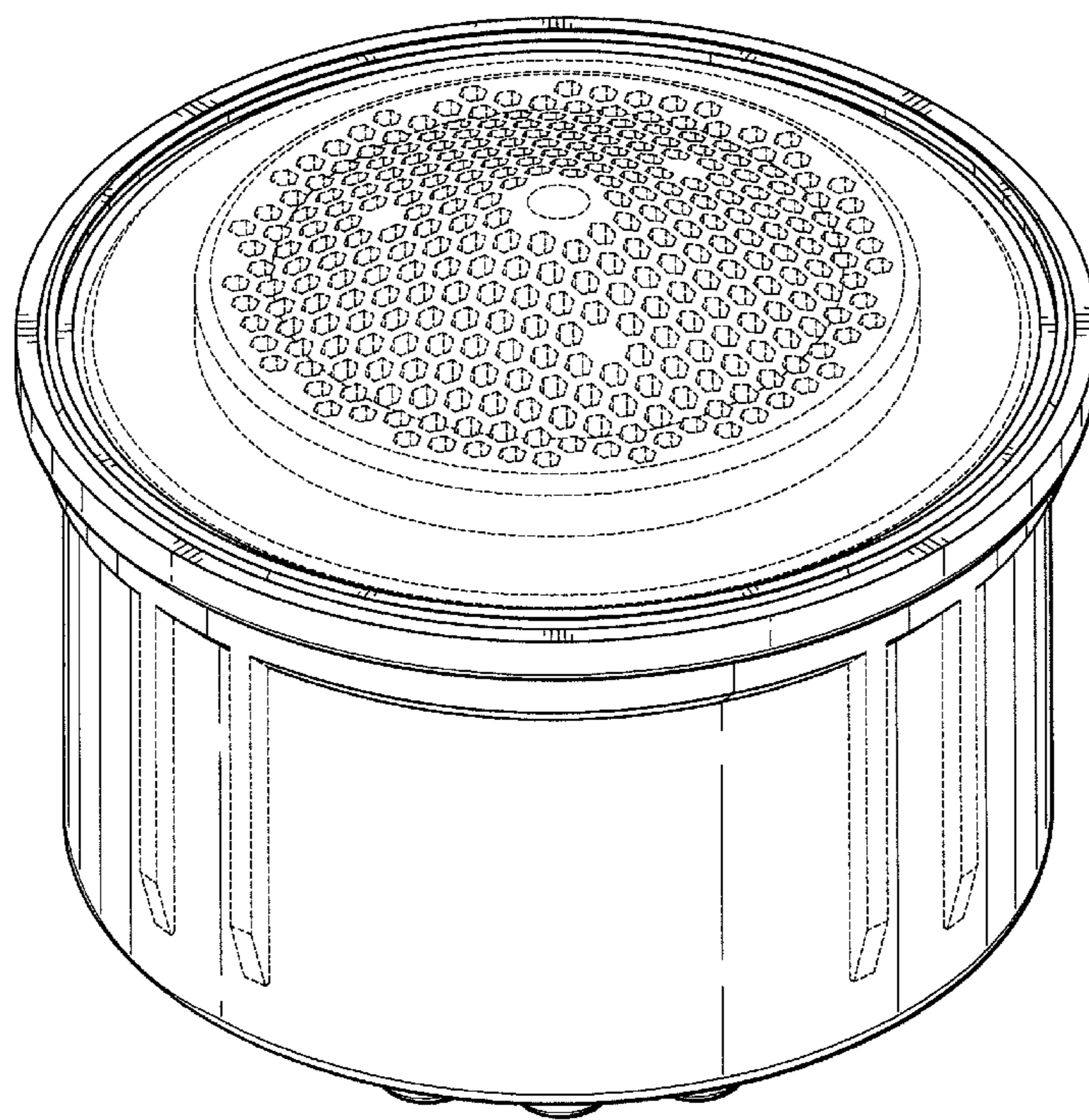
(57) **CLAIM**

The design for a flow regulator, as shown and described.

DESCRIPTION

FIG. 1 is a top, front perspective view of a first embodiment of a flow regulator in accordance with my design; FIG. 2 is a bottom, rear perspective view thereof; FIG. 3 is a top plan view thereof; FIG. 4 is an elevational view thereof; and FIG. 5 is a bottom view thereof; FIG. 6 is a top, front perspective view of a second embodiment of a flow regulator in accordance with my design; FIG. 7 is a bottom, rear perspective view thereof; FIG. 8 is a top plan view thereof; FIG. 9 is an elevational view thereof; and FIG. 10 is a bottom view thereof; FIG. 11 is a top, front perspective view of a third embodiment of a flow regulator in accordance with my design; FIG. 12 is a bottom, rear perspective view thereof; FIG. 13 is a top plan view thereof; FIG. 14 is an elevational view thereof; and FIG. 15 is a bottom view thereof; FIG. 16 is a top, front perspective view of a fourth embodiment of a flow regulator in accordance with my design; FIG. 17 is a bottom, rear perspective view thereof; FIG. 18 is a top plan view thereof; FIG. 19 is an elevational view thereof; and, FIG. 20 is a bottom view thereof. The broken lines shown in the drawings form no part of the claimed design.

1 Claim, 20 Drawing Sheets



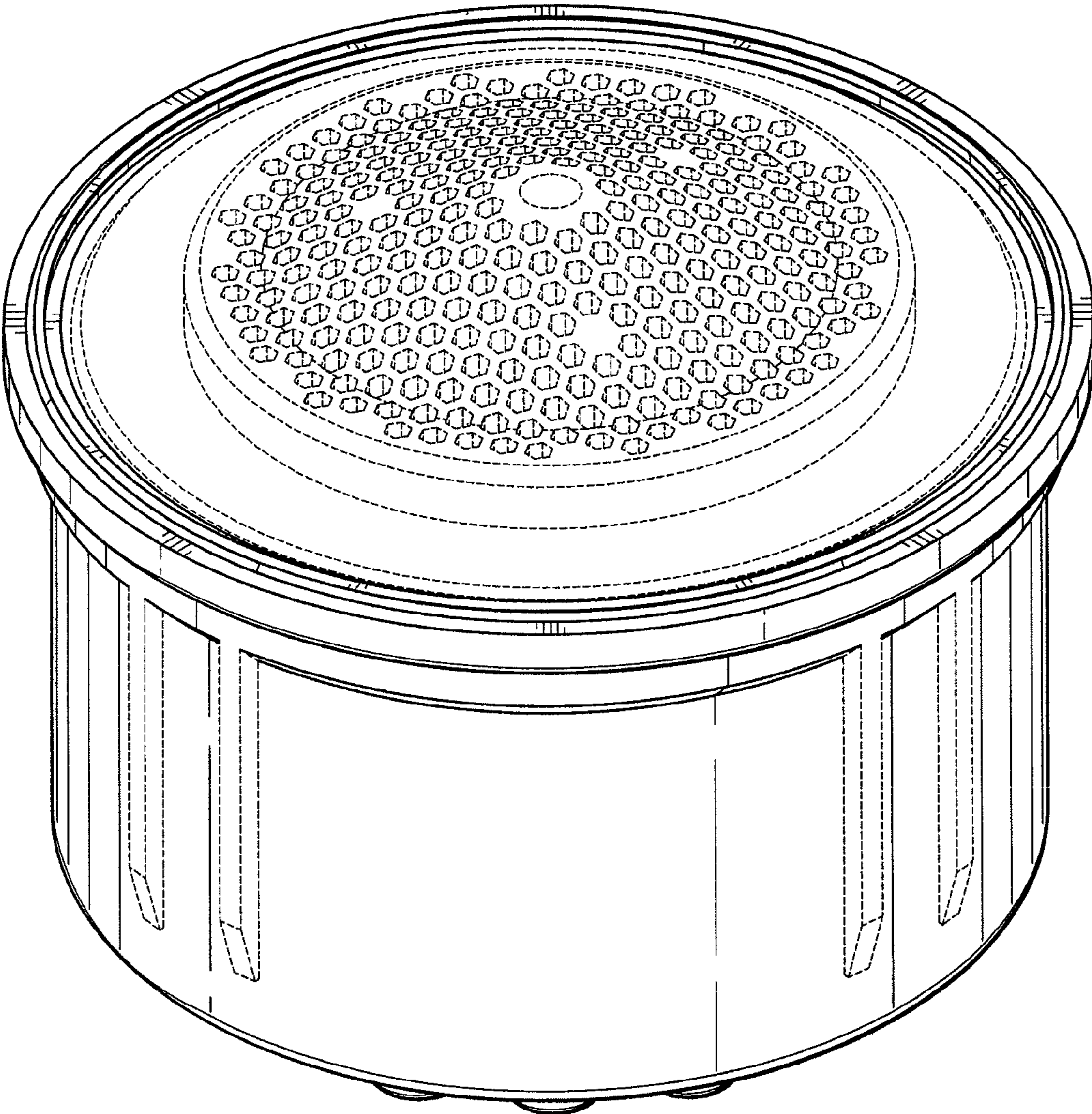


Fig. 1

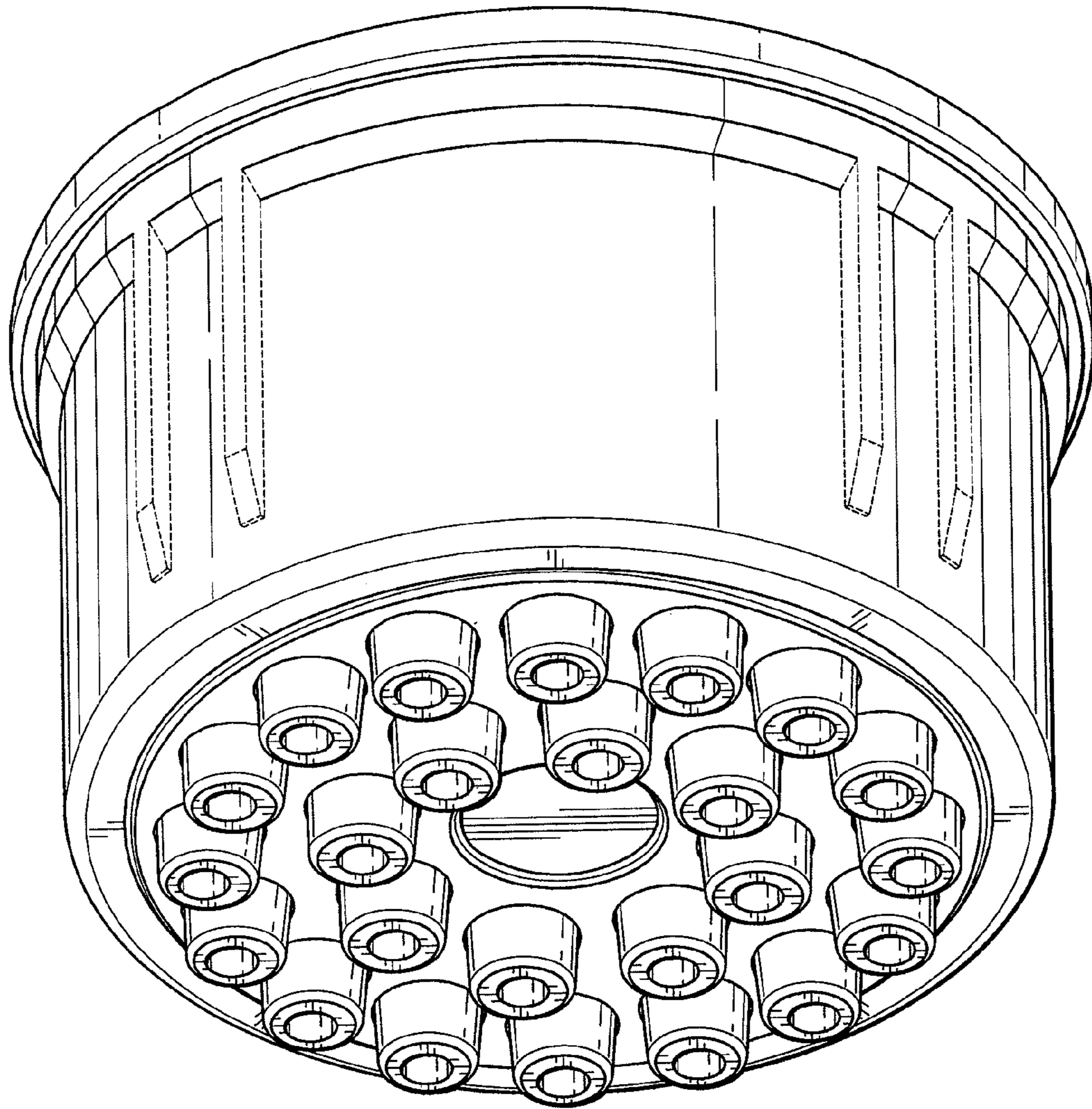


Fig. 2

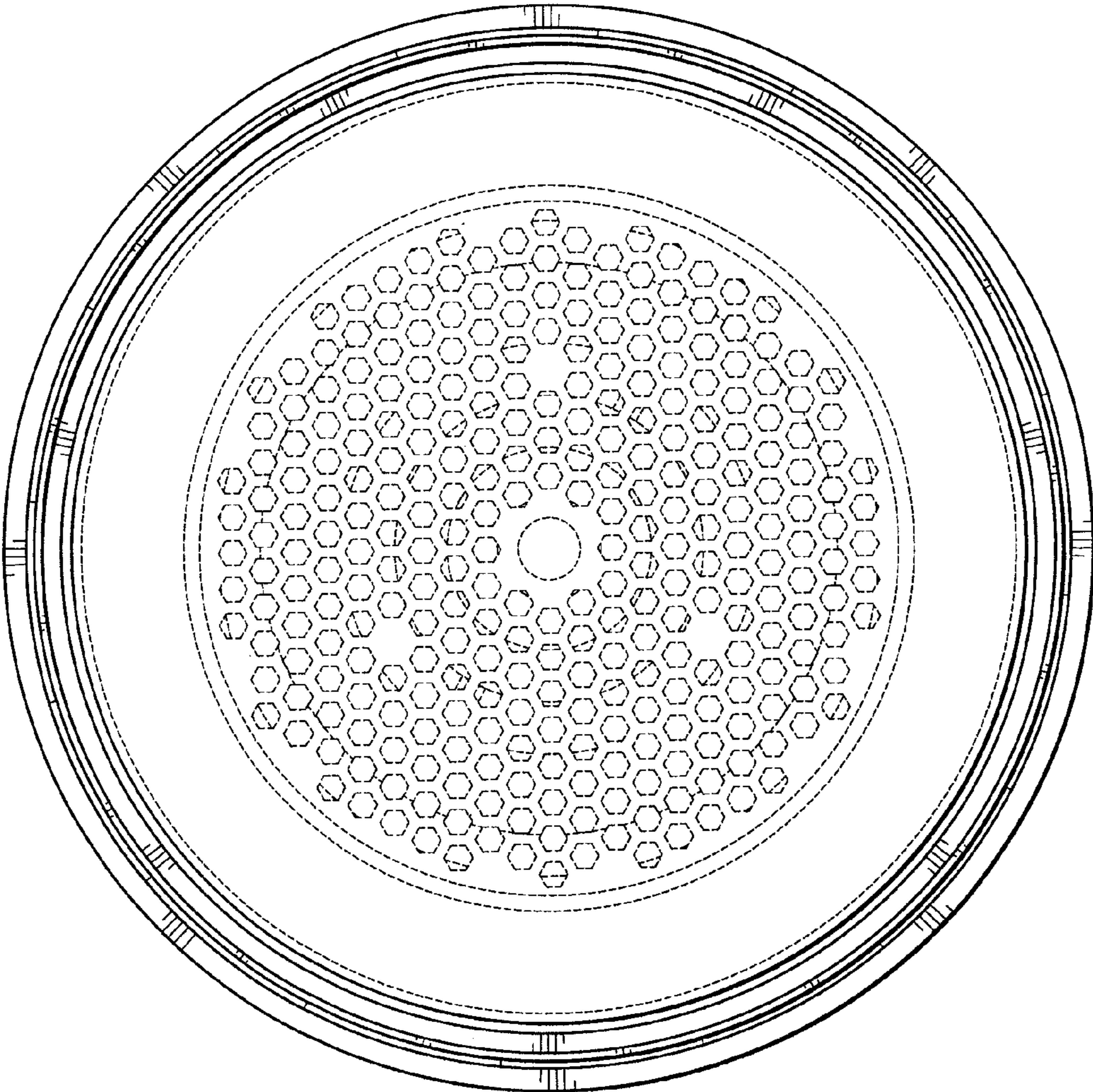


Fig. 3

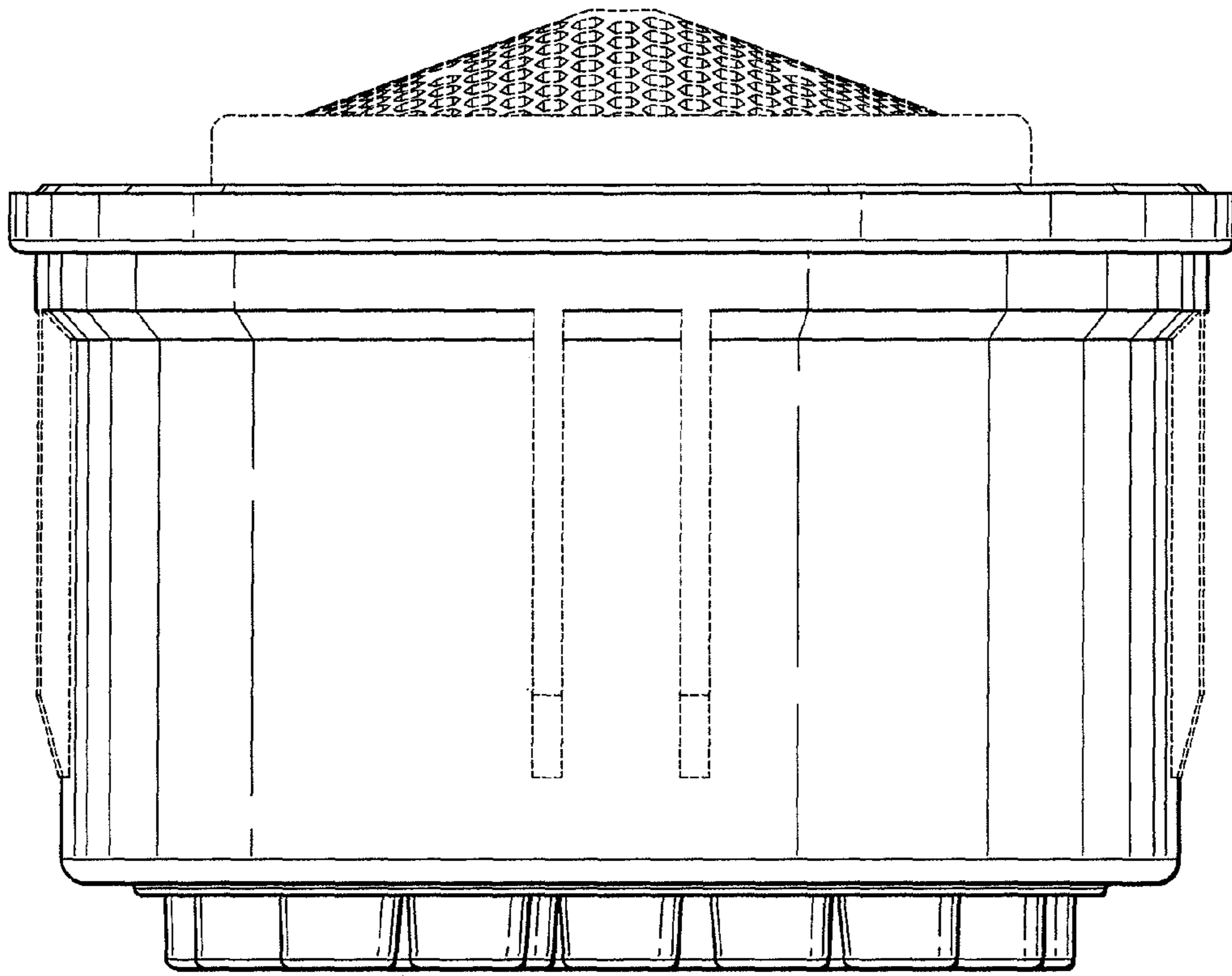


Fig. 4

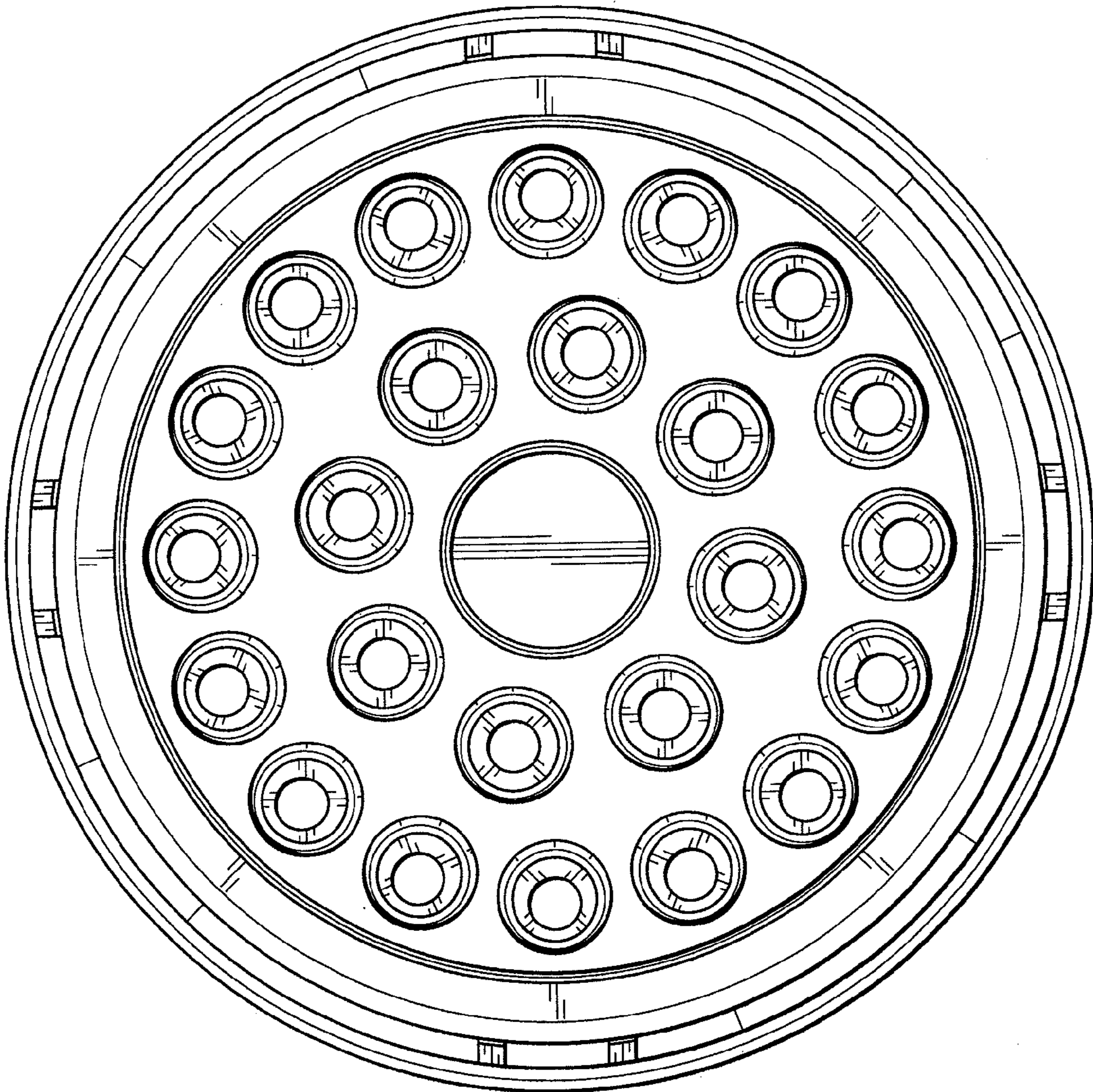


Fig. 5

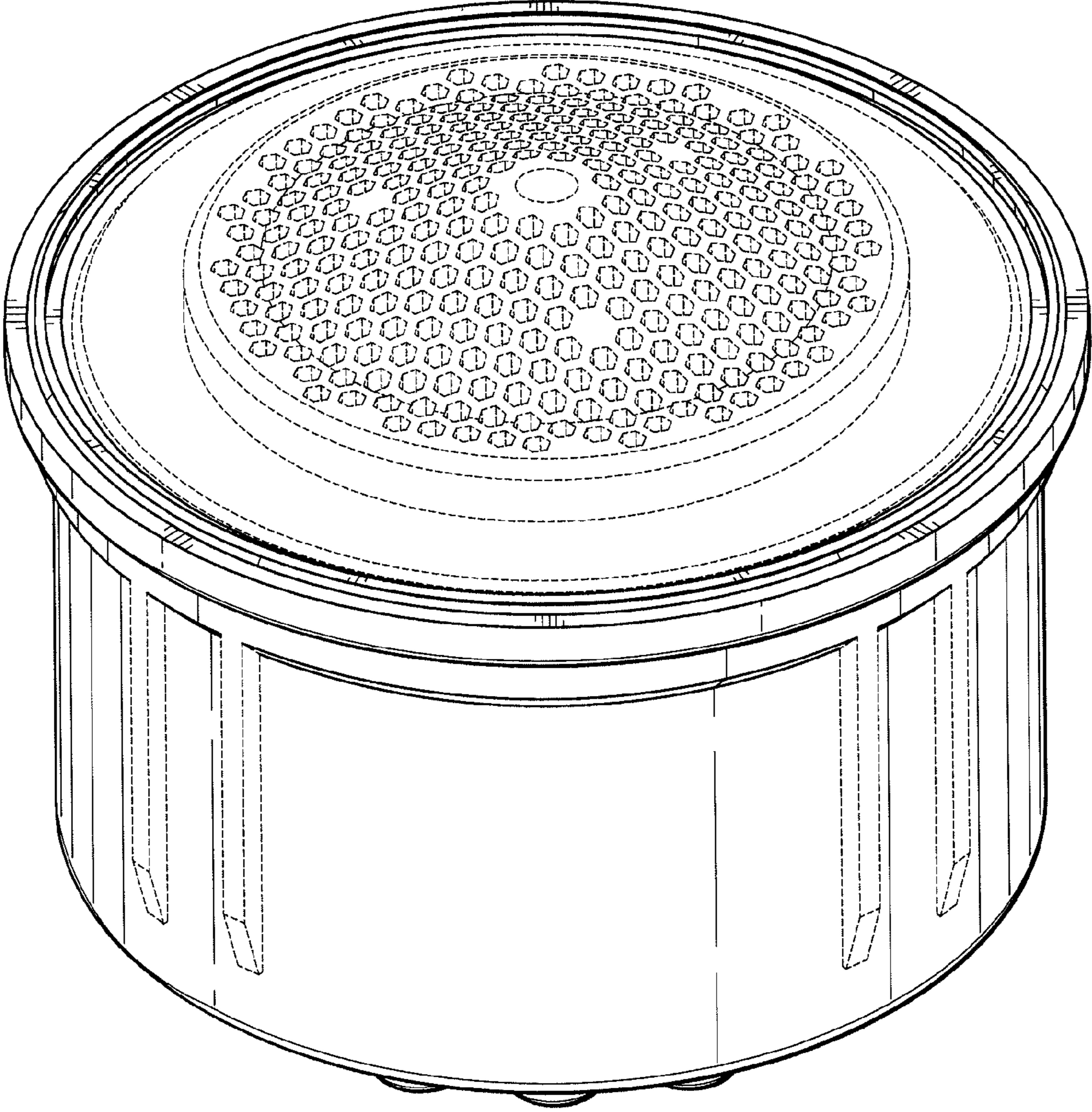


Fig. 6

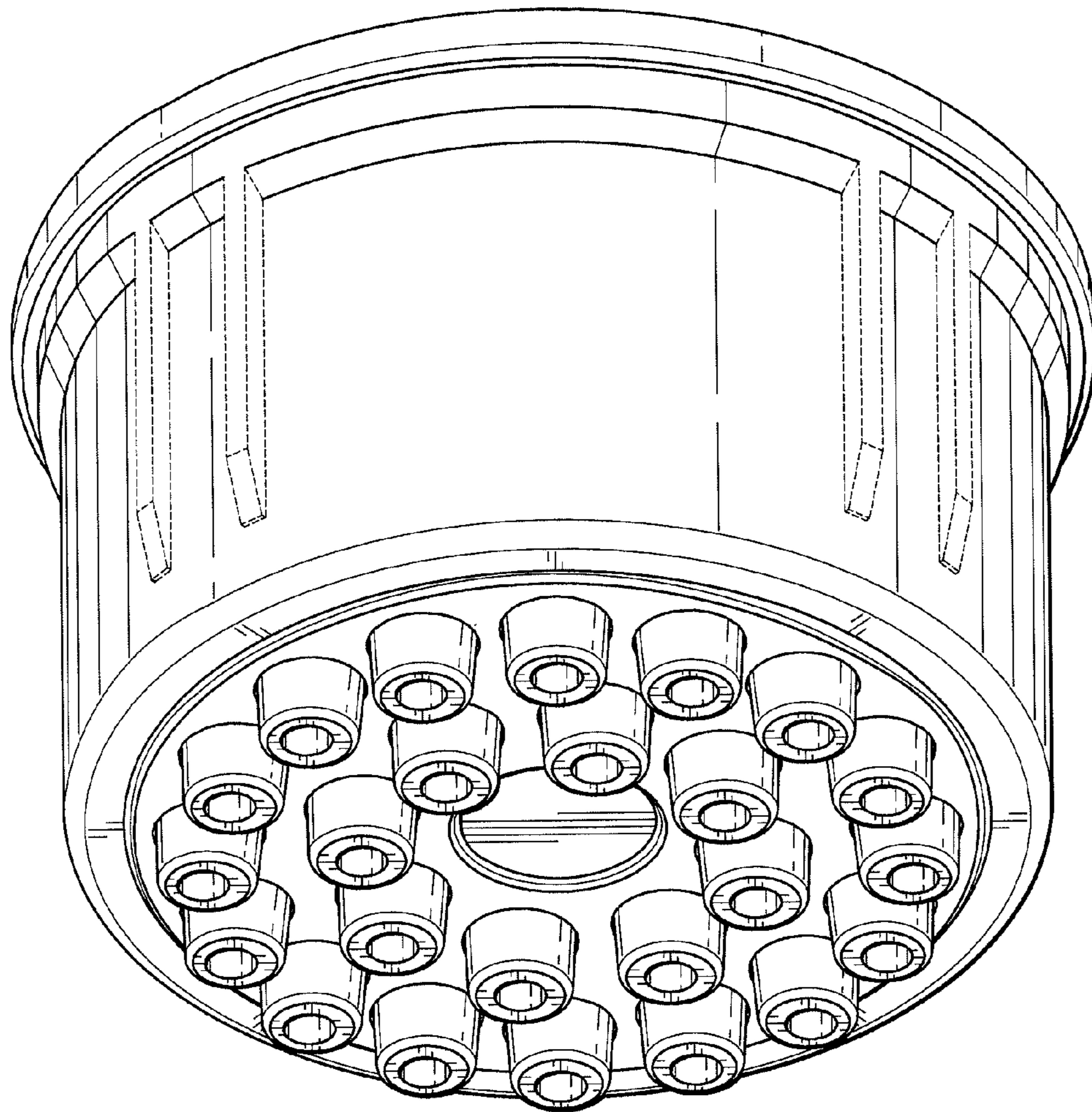


Fig. 7

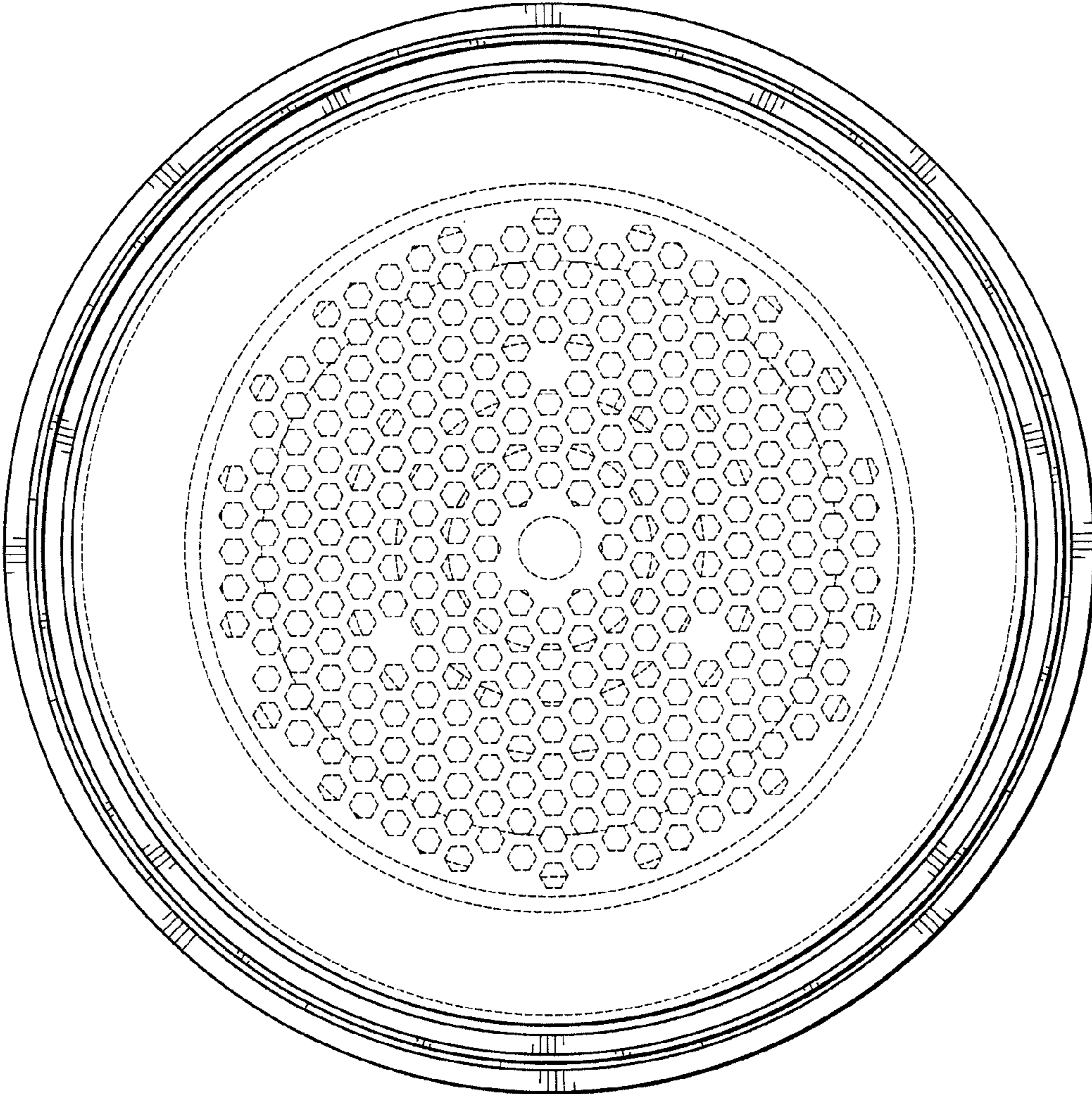


Fig. 8

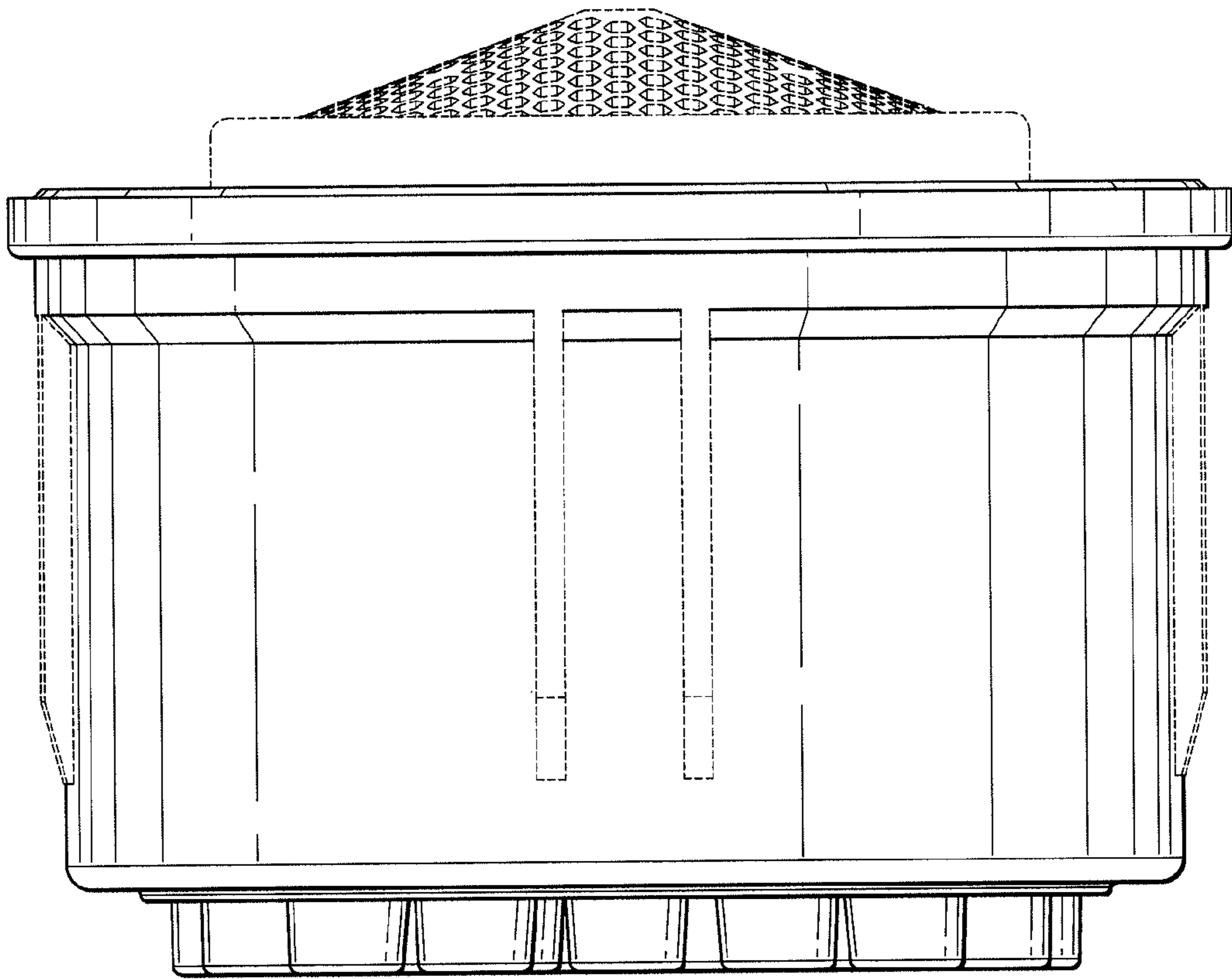


Fig. 9

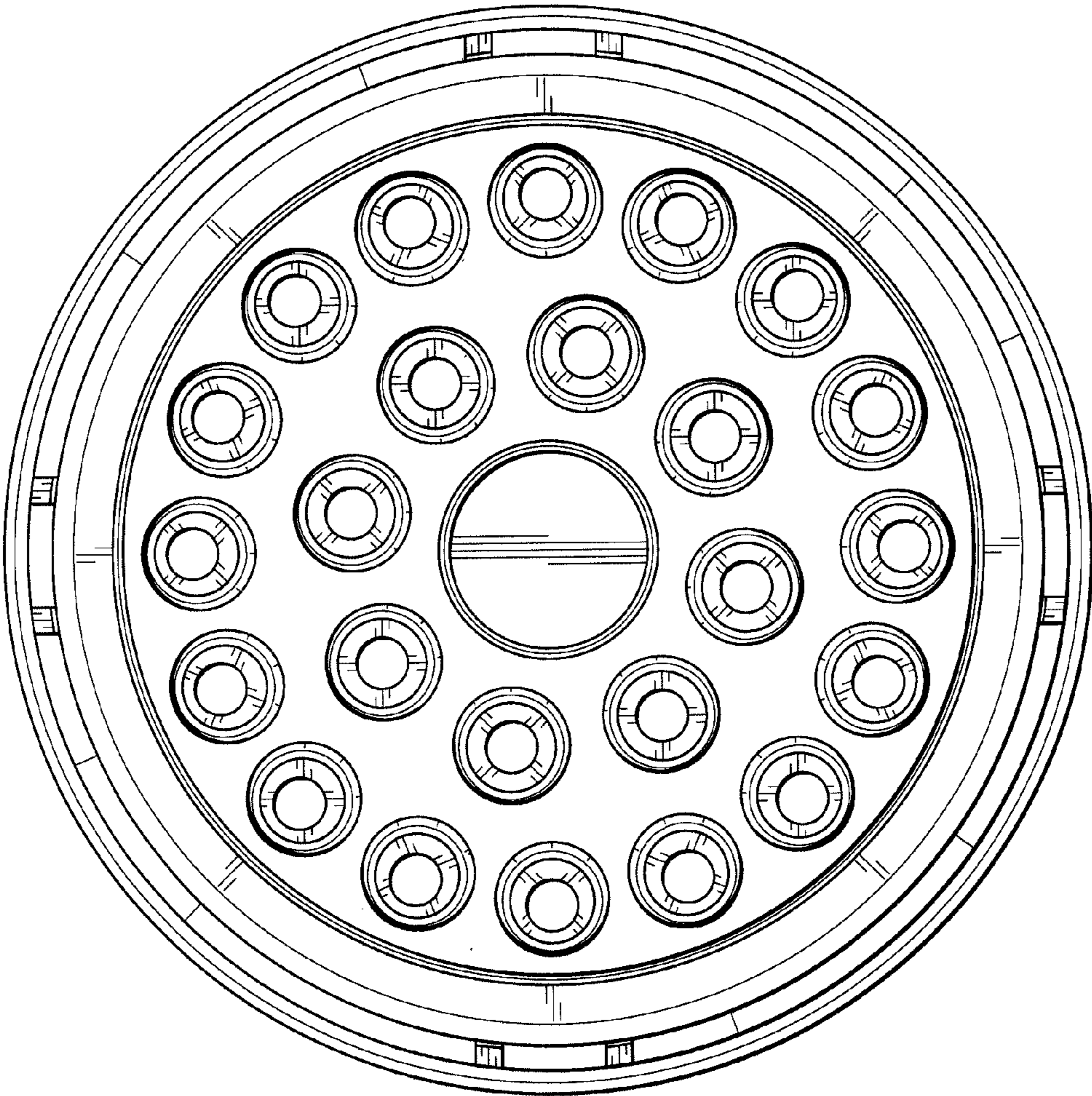


Fig. 10

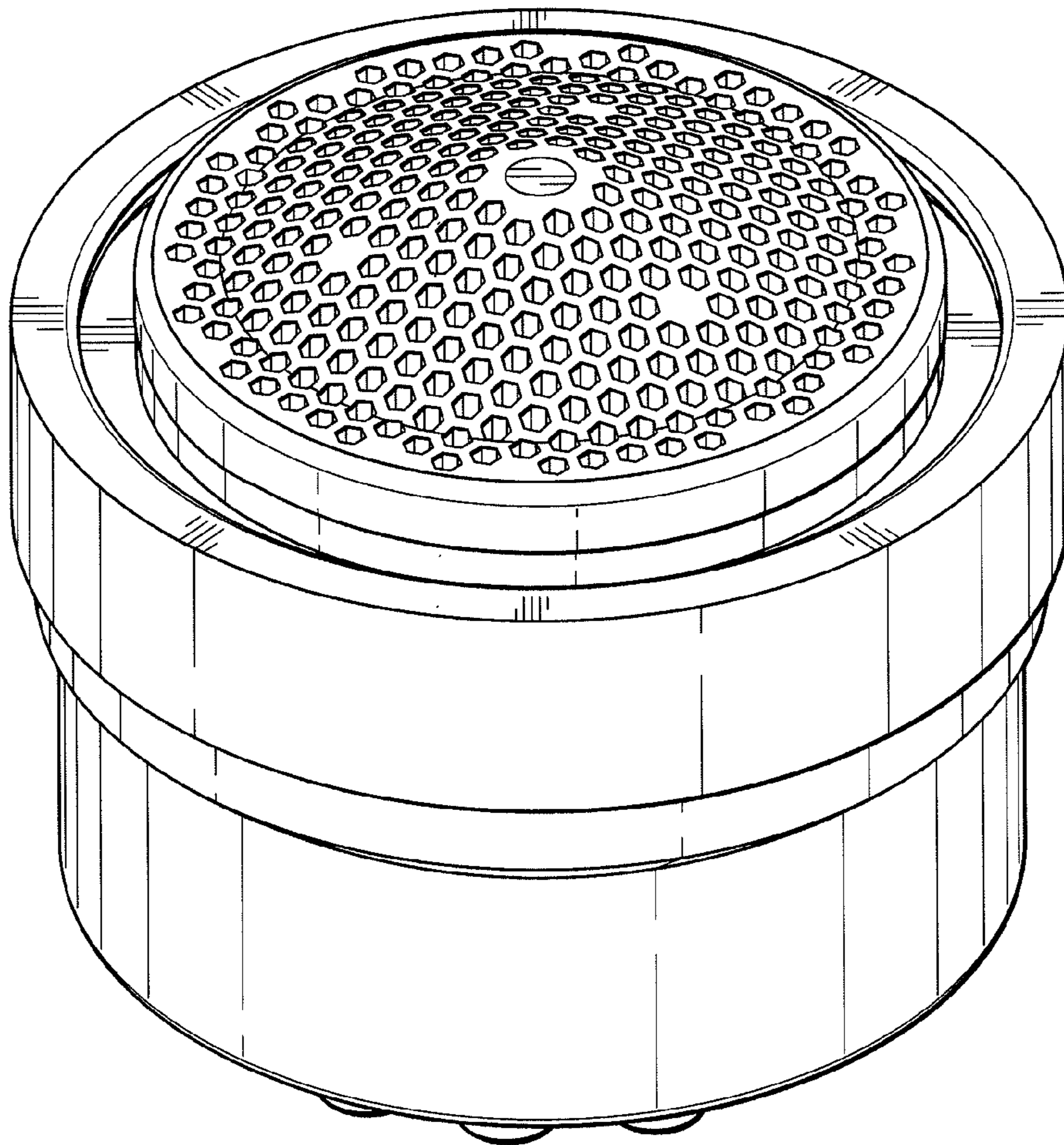


Fig. 11

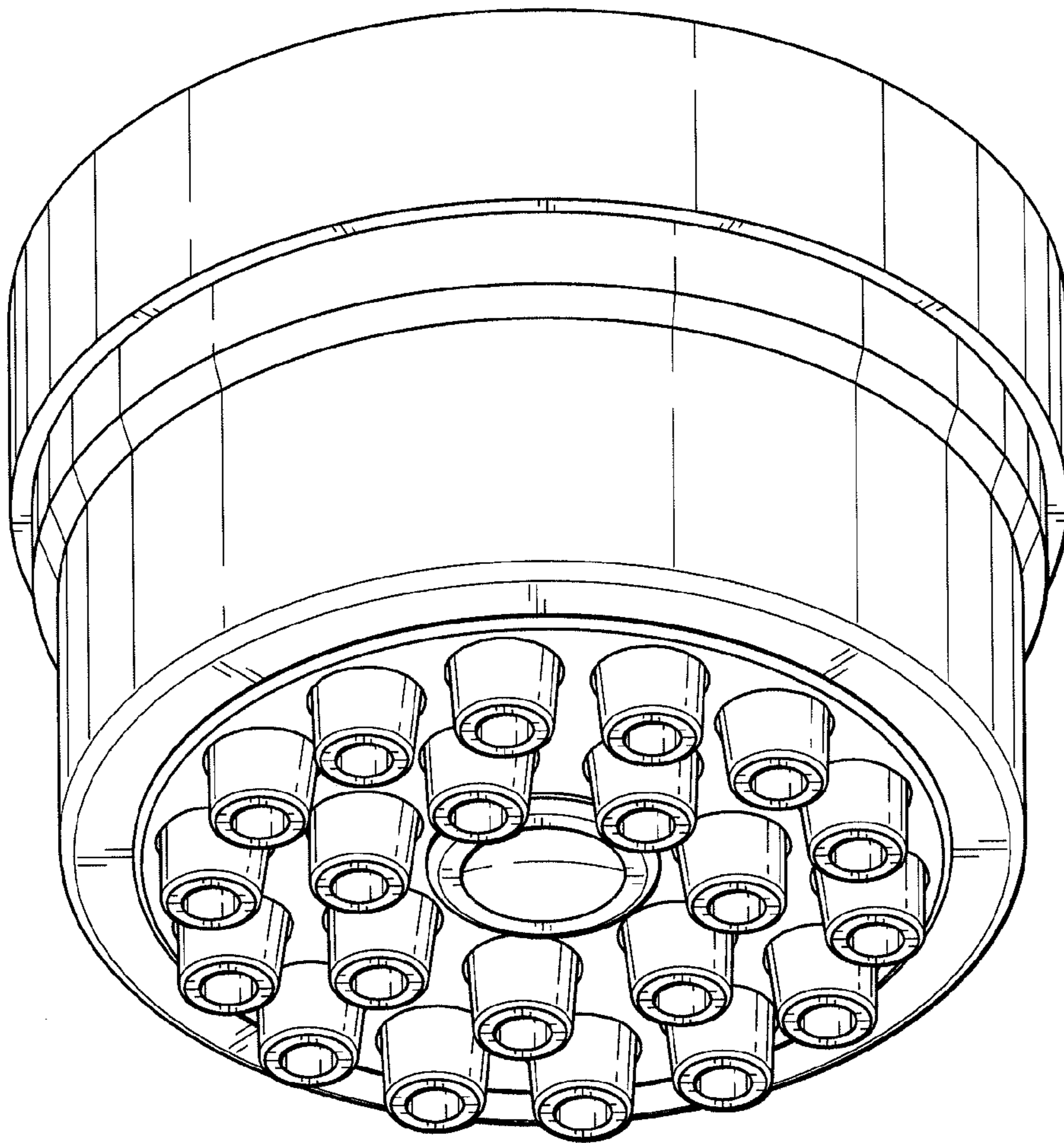


Fig. 12

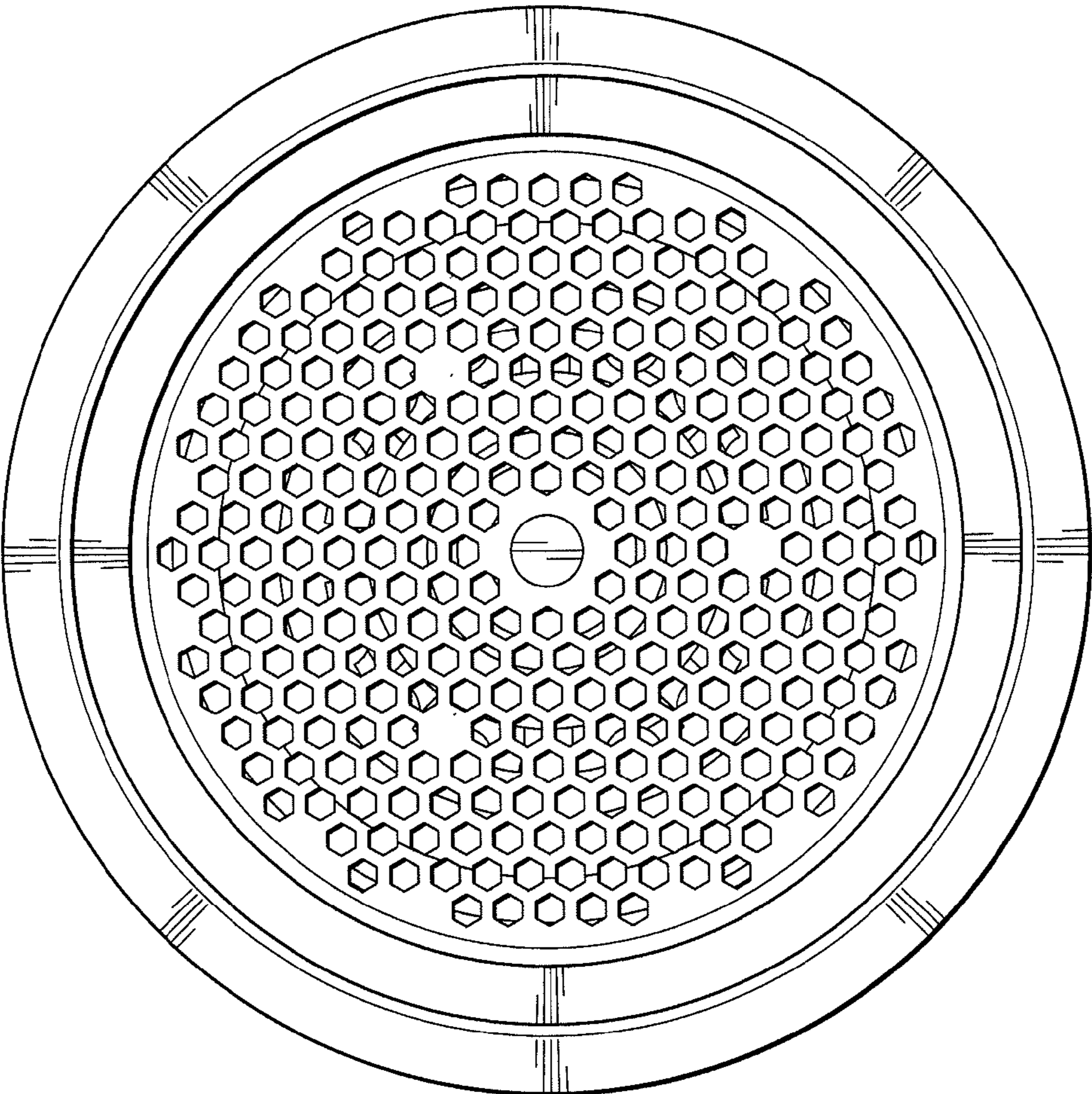


Fig. 13

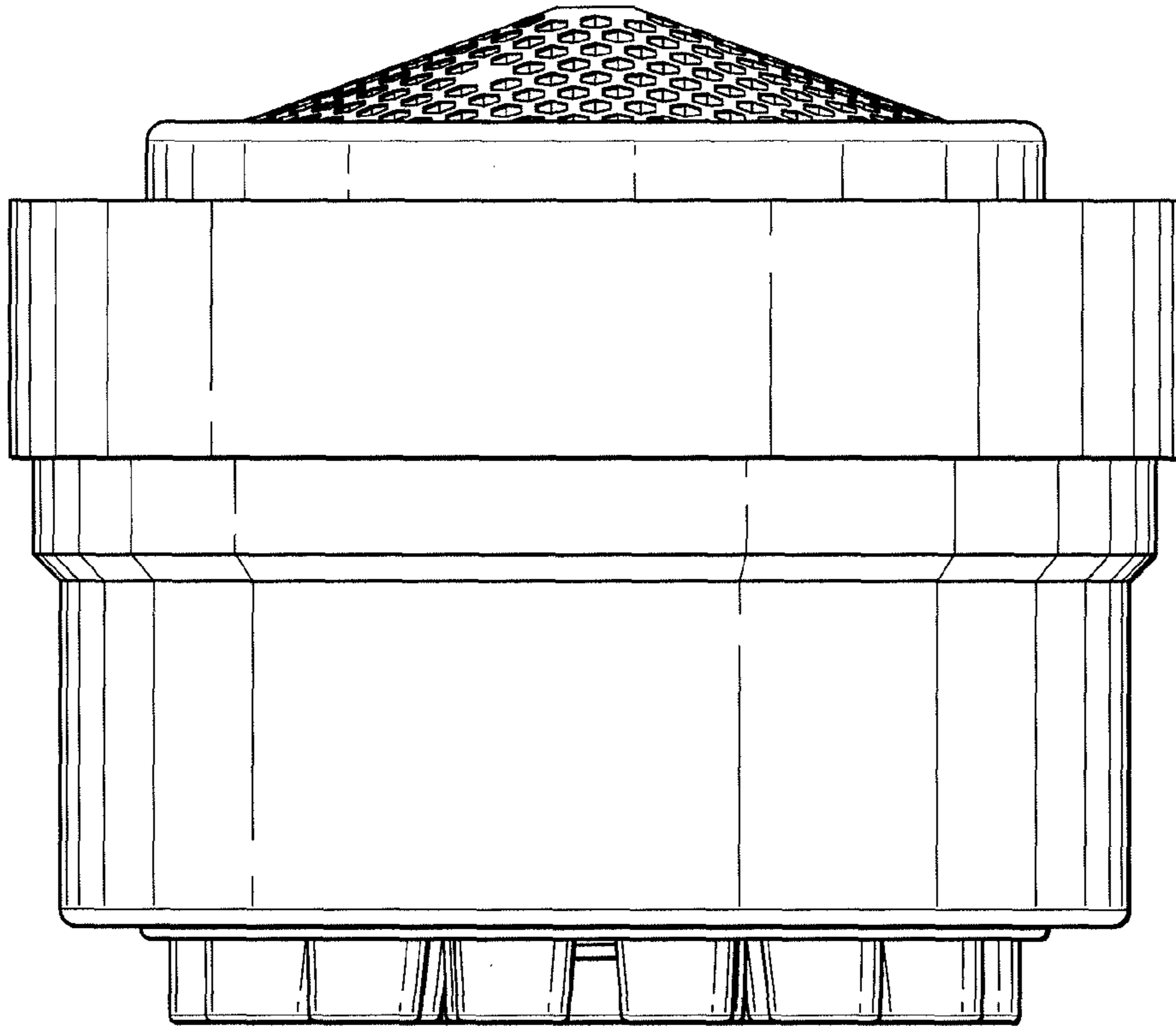


Fig. 14

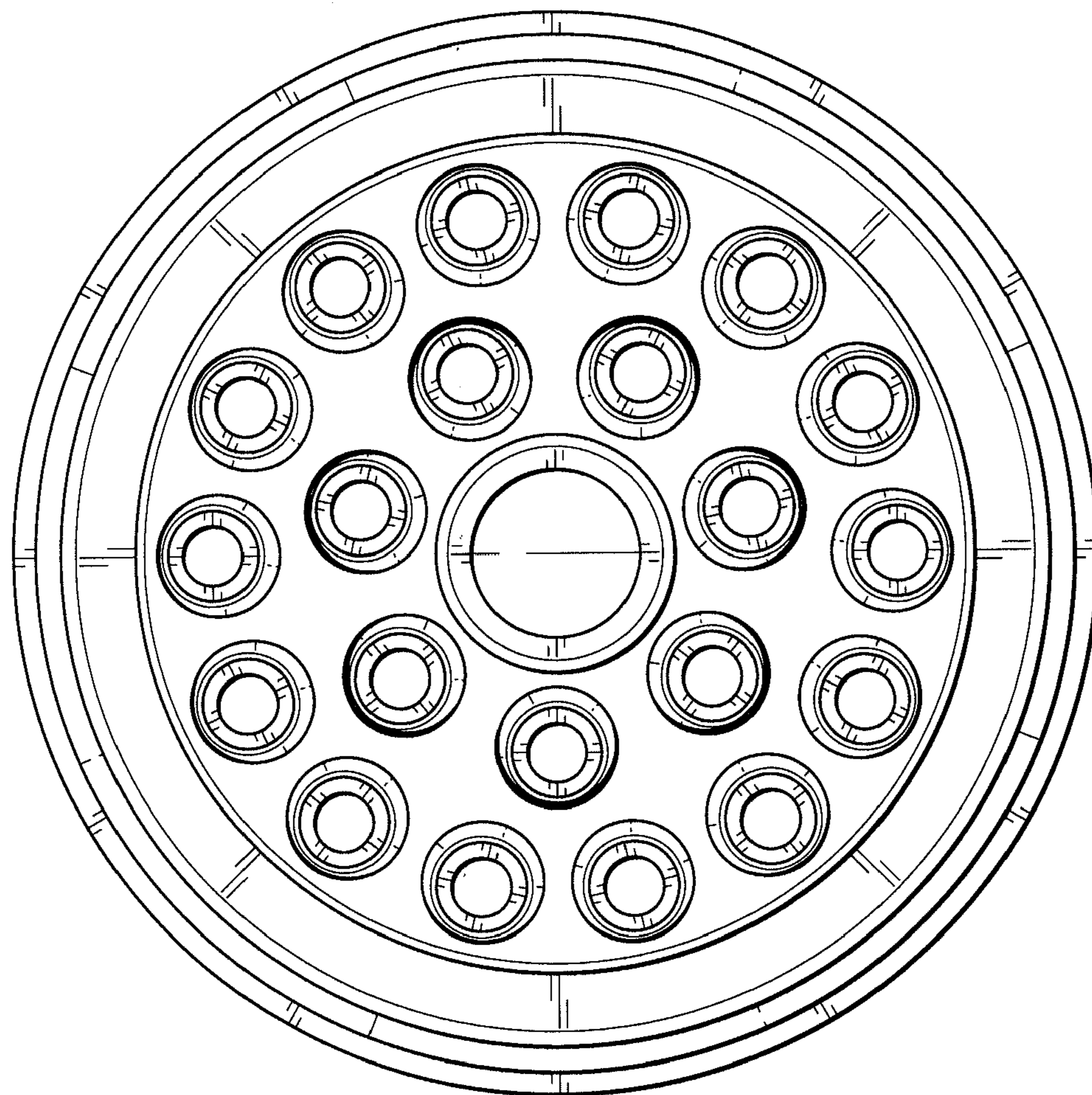


Fig. 15

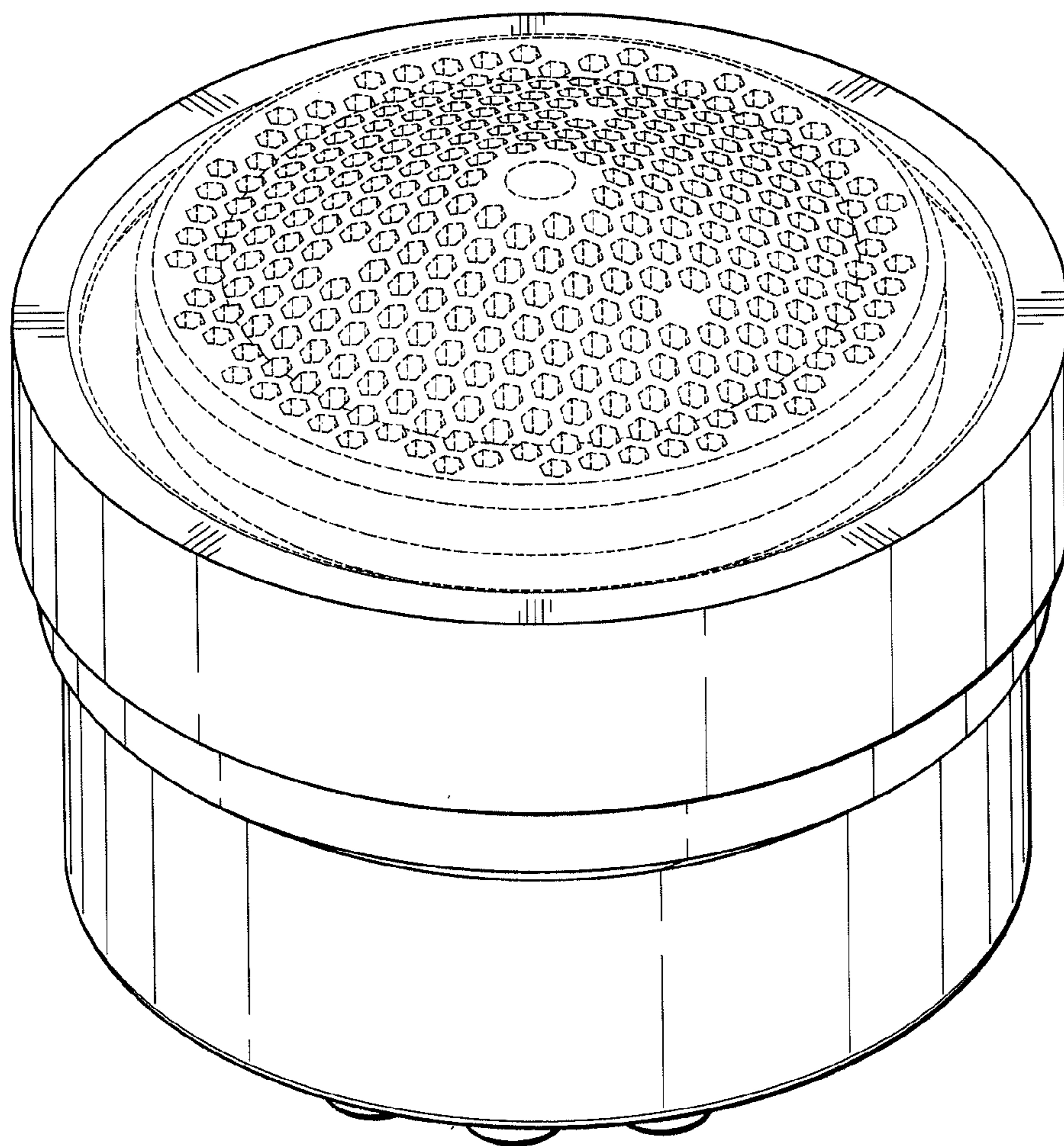


Fig. 16

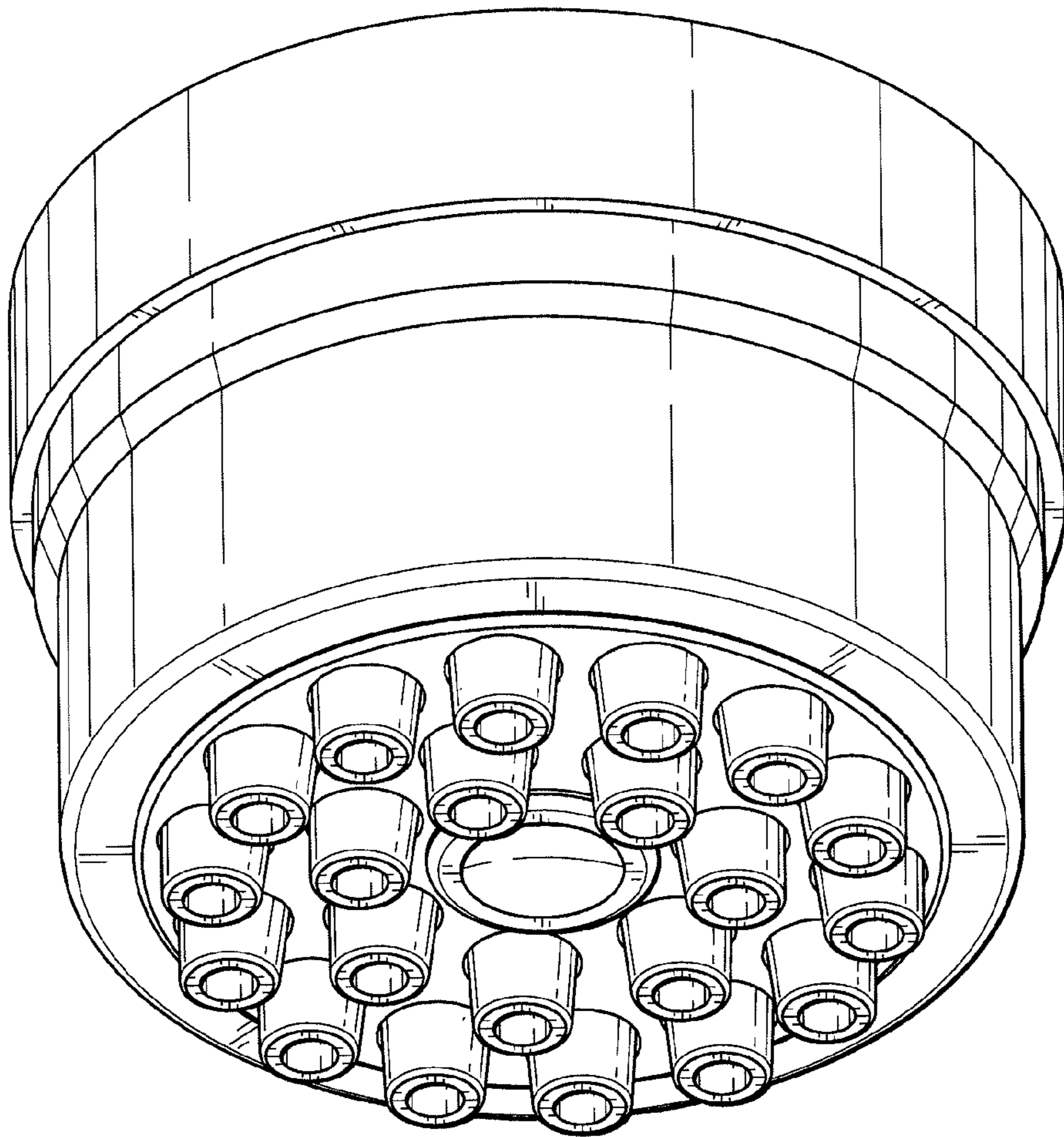


Fig. 17

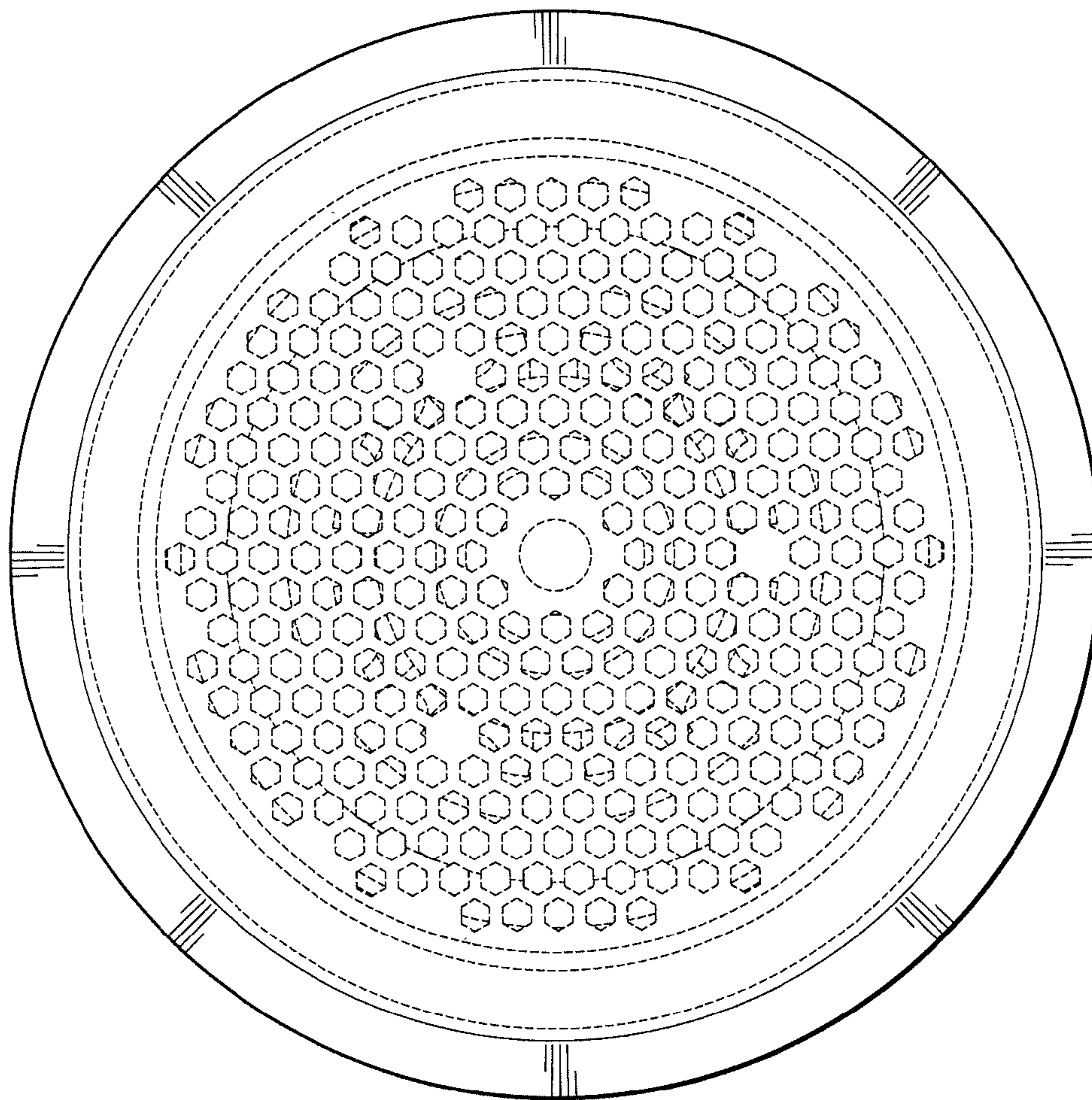


Fig. 18

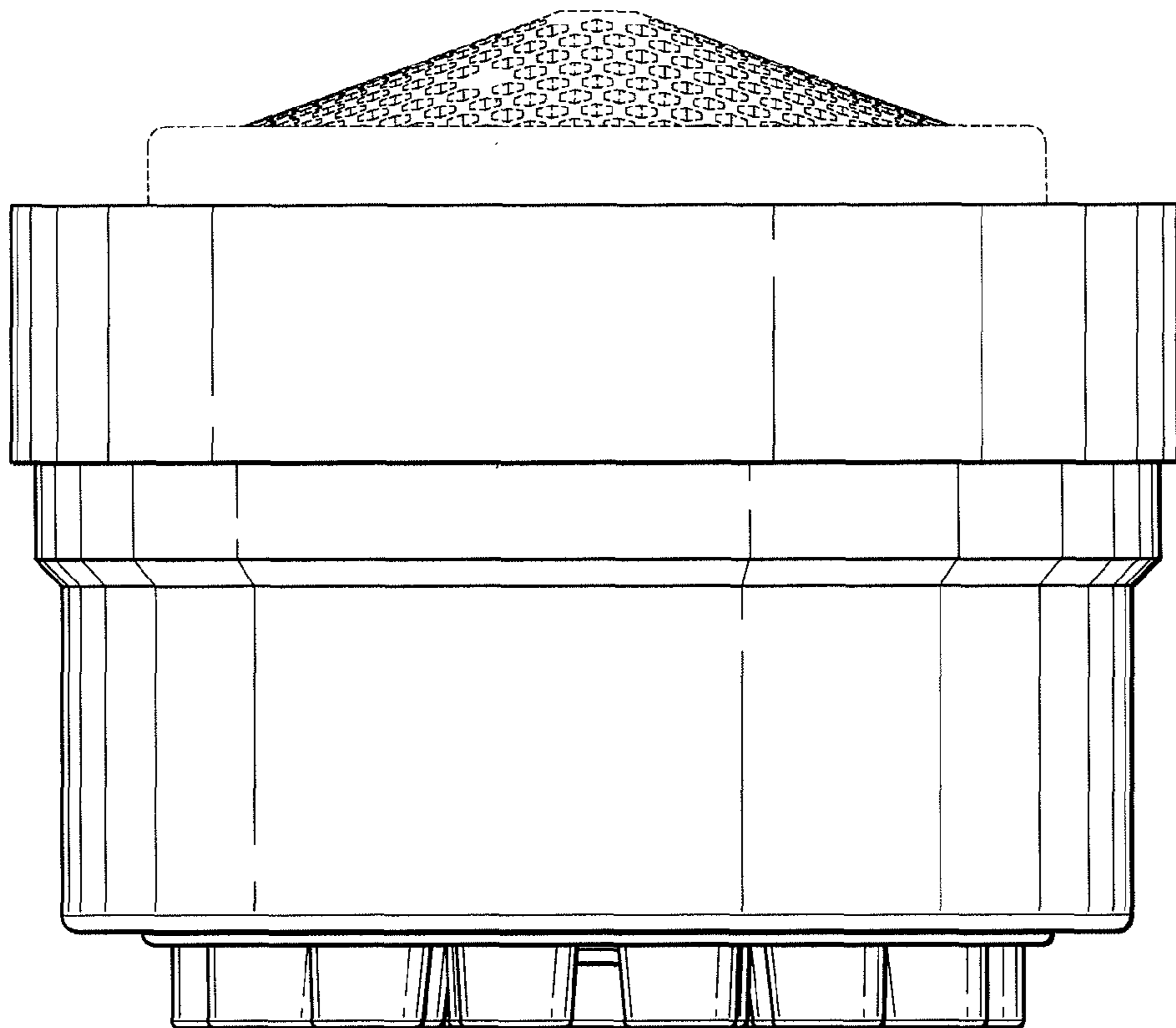


Fig. 19

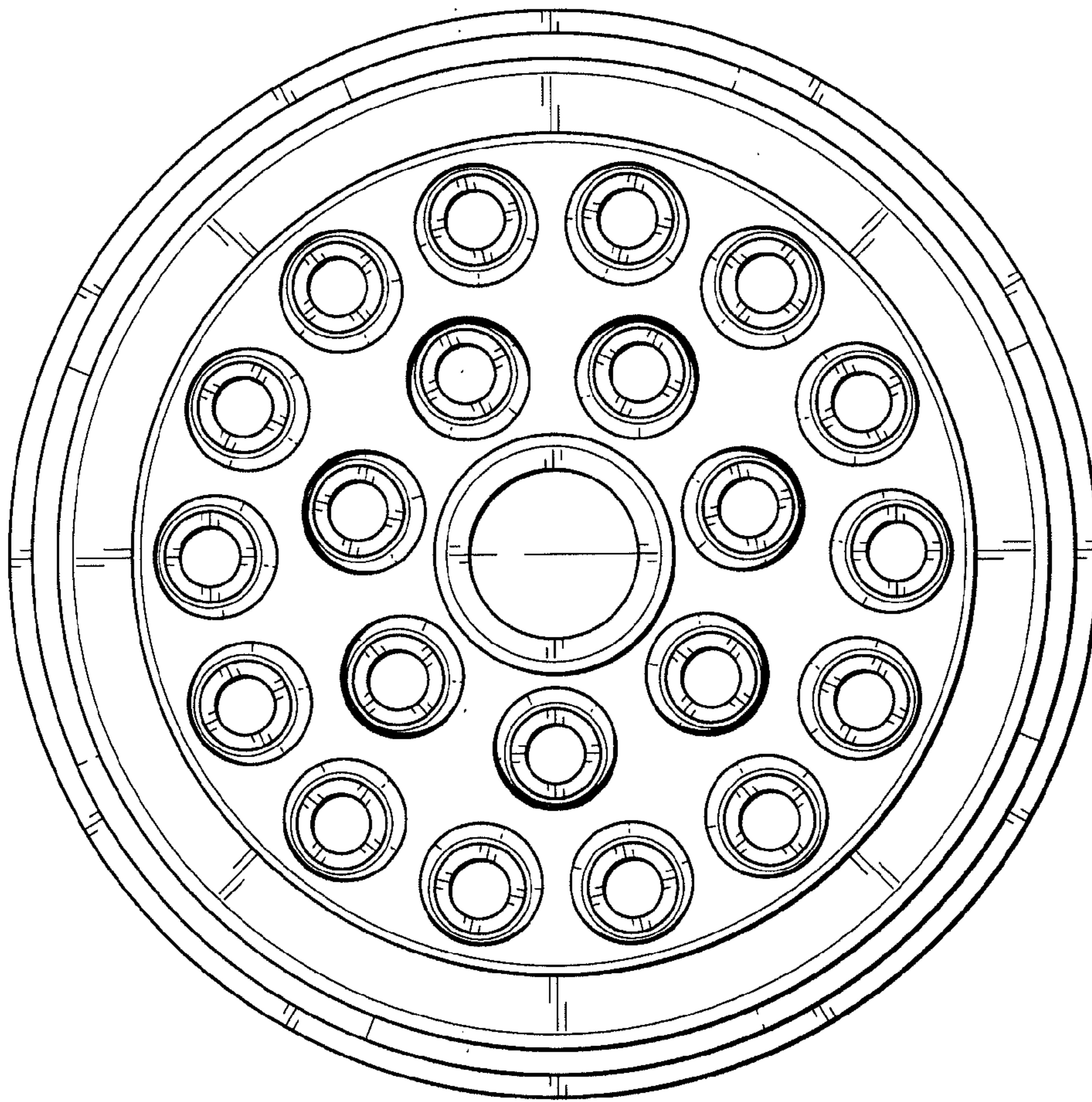


Fig. 20

UNITED STATES PATENT AND TRADEMARK OFFICE
CERTIFICATE OF CORRECTION

PATENT NO. : D639,911 S
APPLICATION NO. : 29/379367
DATED : June 14, 2011
INVENTOR(S) : Blum

Page 1 of 7

It is certified that error appears in the above-identified patent and that said Letters Patent is hereby corrected as shown below:

The title page showing an illustrative figure should be deleted and substitute therefor the attached title page.

Delete drawing sheets 1-20 and substitute therefor the drawings sheets consisting of figures 1-5 as shown on the attached pages.

Signed and Sealed this
Twenty-eighth Day of February, 2012

A handwritten signature in black ink that reads "David J. Kappos". The signature is written in a cursive, slightly slanted style.

David J. Kappos
Director of the United States Patent and Trademark Office

(12) **United States Design Patent**
Blum

(10) **Patent No.:** **US D639,911 S**
(45) **Date of Patent:** **** Jun. 14, 2011**

(54) **FLOW REGULATOR**

* cited by examiner

(75) Inventor: **Gerhard Blum**, Gutach (DE)

Primary Examiner — Cathron C. Brooks

(73) Assignee: **Neoperl GmbH**, Mullheim (DE)

Assistant Examiner — Maurice Stevens

(**) Term: **14 Years**

(74) *Attorney, Agent, or Firm* — Volpe and Koenig, P.C.

(21) Appl. No.: **29/379,367**

(22) Filed: **Nov. 18, 2010**

(57) **CLAIM**
The design for a flow regulator, as shown and described.

(30) **Foreign Application Priority Data**

DESCRIPTION

May 27, 2010 (EM) 1216642

(51) **LOC (9) Cl.** **23-01**

(52) **U.S. Cl.** **D23/249**

(58) **Field of Classification Search** D23/213,
D23/233-237, 244-249, 255, 257, 259, 260;
138/37, 40-42; 239/3, 428.5, 552, 553, 553.5;
261/DIG. 22

FIG. 1 is a top, front perspective view of a flow regulator in accordance with my design;
FIG. 2 is a bottom, rear perspective view thereof;
FIG. 3 is a top plan view thereof;
FIG. 4 is an elevational view thereof; and
FIG. 5 is a bottom view thereof.

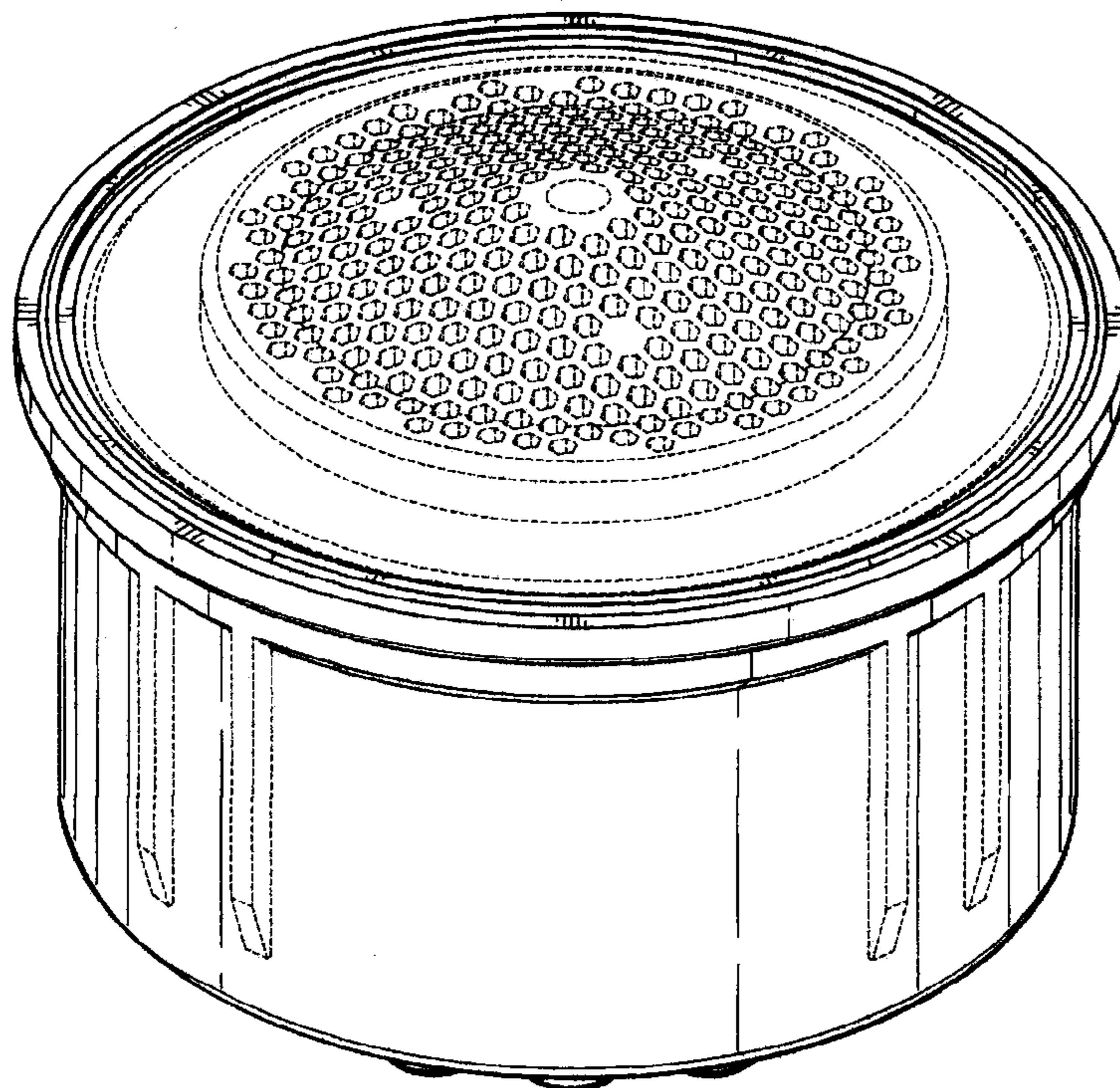
See application file for complete search history.

(56) **References Cited**

U.S. PATENT DOCUMENTS

D529,588 S *	10/2006	Grether	D23/249
D605,732 S *	12/2009	Stein	D23/249
D612,911 S *	3/2010	Grether	D23/249
D622,355 S *	8/2010	Grether	D23/249

1 Claim, 5 Drawing Sheets



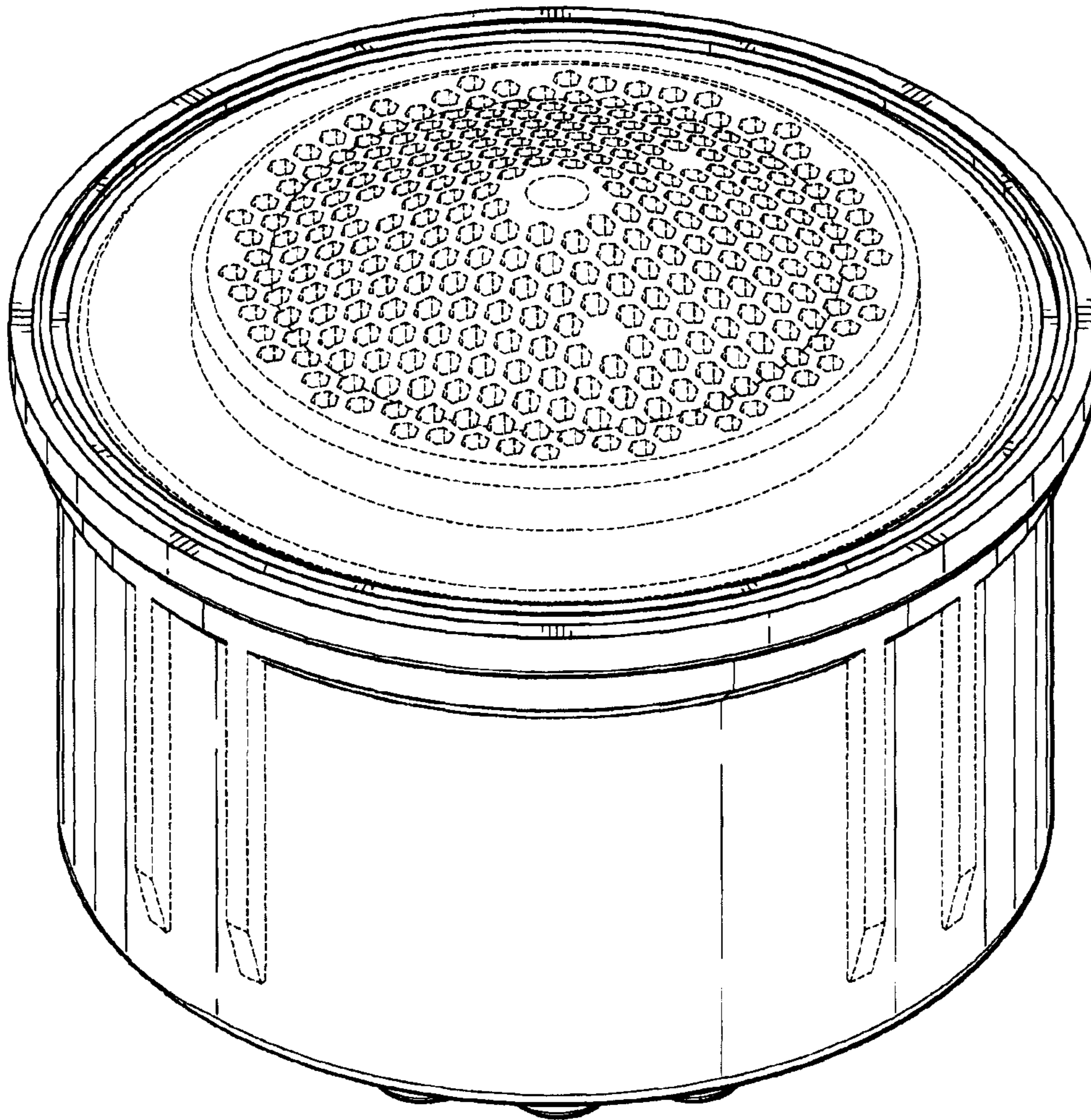


Fig. 1

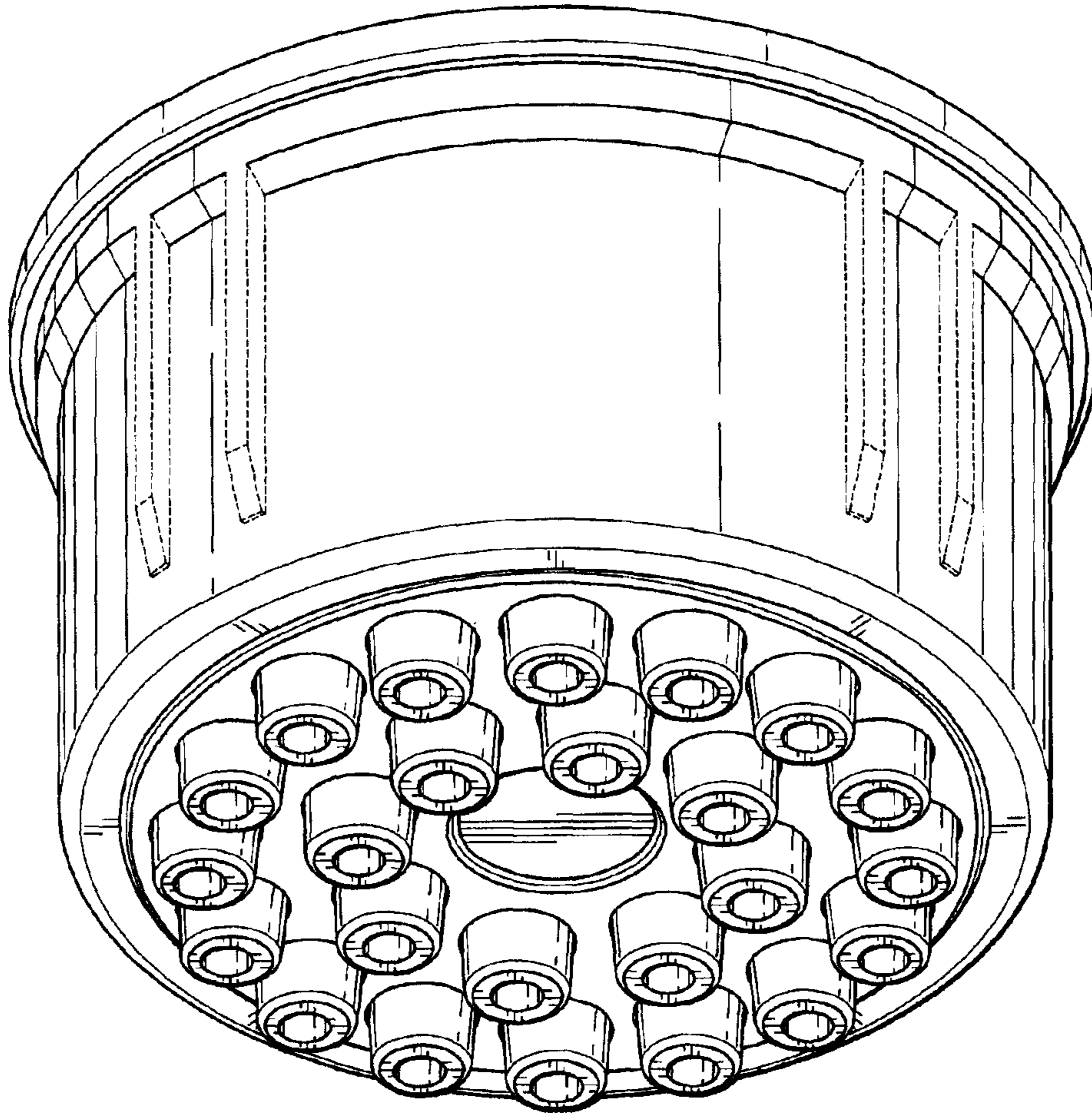


Fig. 2

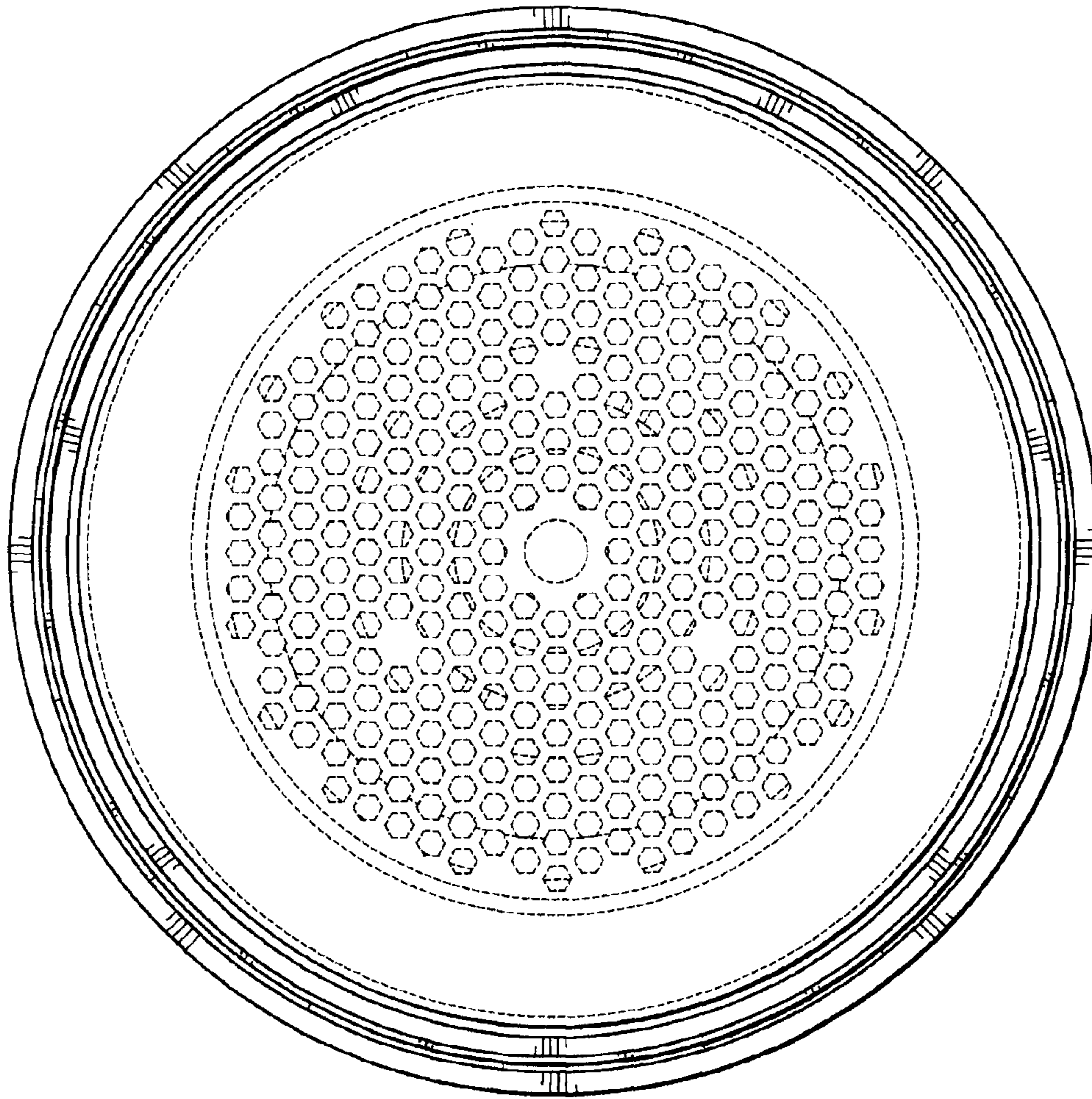


Fig. 3

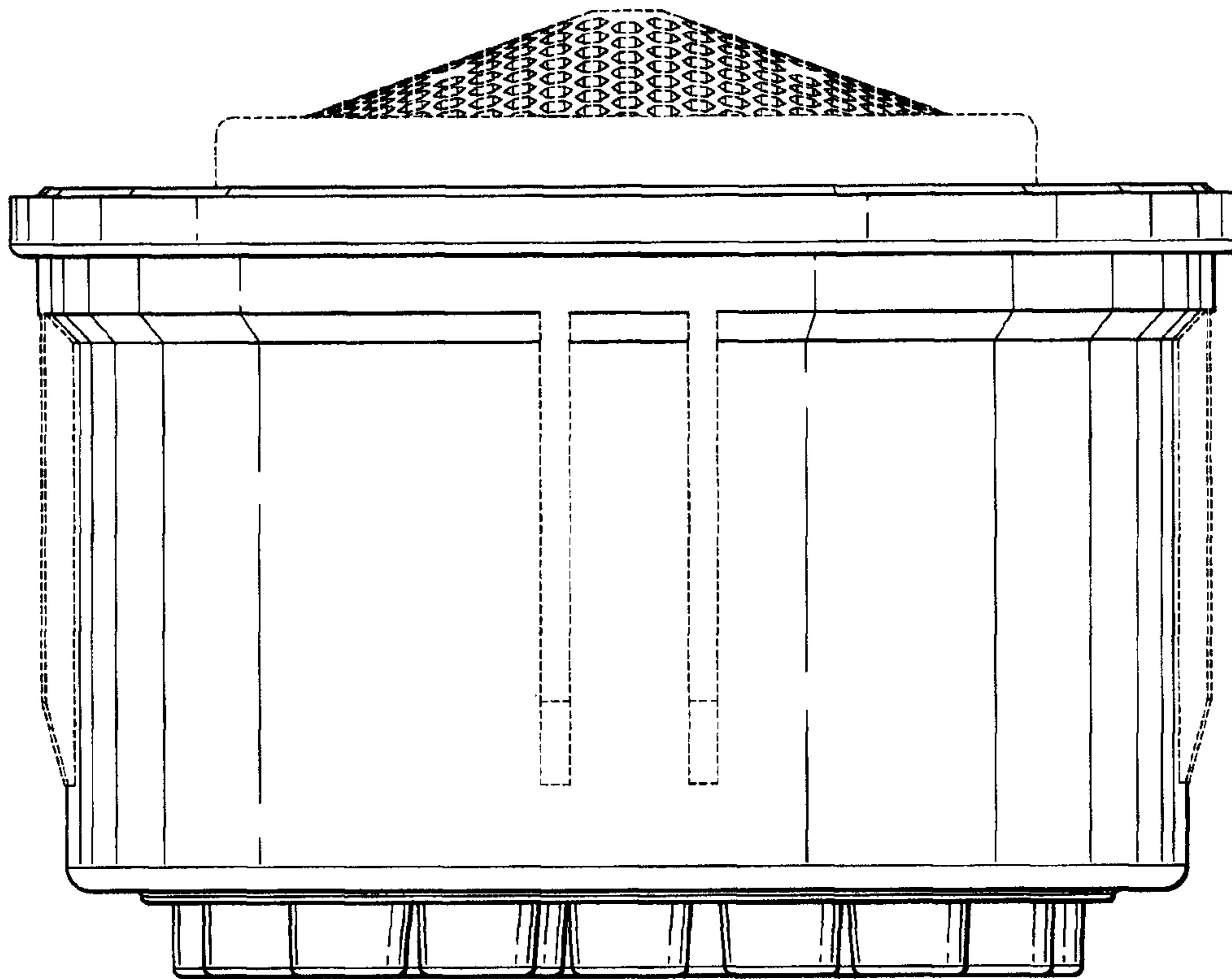


Fig. 4

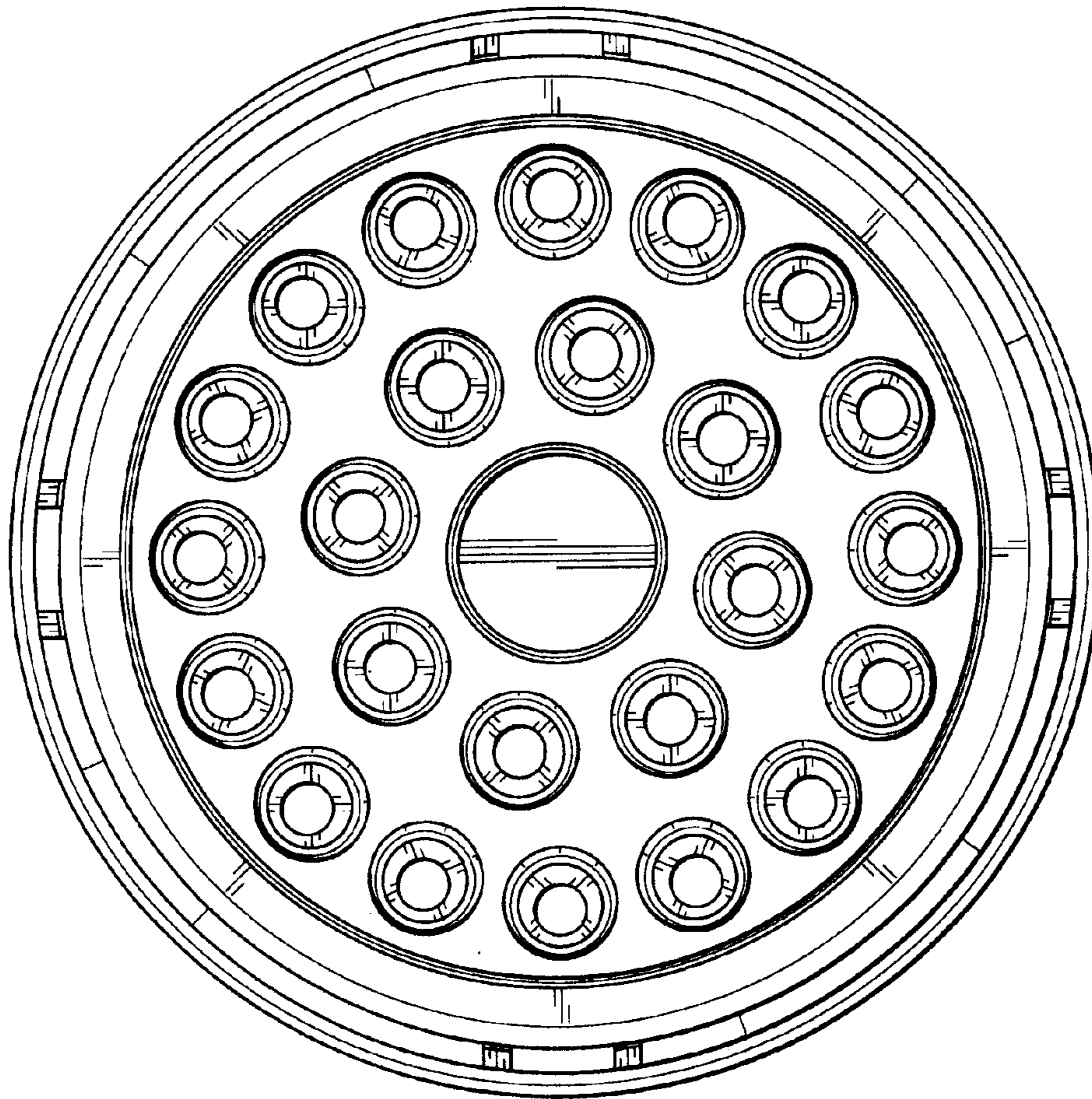


Fig. 5