



US00D639909S

(12) **United States Design Patent**  
**Pendleton**

(10) **Patent No.:** **US D639,909 S**

(45) **Date of Patent:** **\*\* Jun. 14, 2011**

(54) **CENTER PULLOUT SPRAY HEAD**

6,641,060 B2 \* 11/2003 Brattoli et al. .... 239/526  
6,880,768 B2 \* 4/2005 Lau ..... 239/526  
D519,604 S \* 4/2006 Swain ..... D23/226

(75) Inventor: **Justin D. Pendleton**, The Colony, TX  
(US)

\* cited by examiner

(73) Assignee: **Danco, Inc.**, Irving, TX (US)

*Primary Examiner* — Robin Webster

(\*\*) Term: **14 Years**

(74) *Attorney, Agent, or Firm* — Locke Lord Bissell &  
Liddell, LLP

(21) Appl. No.: **29/382,605**

(57) **CLAIM**

The ornamental design for a center pullout spray head, as shown and described.

(22) Filed: **Jan. 5, 2011**

**DESCRIPTION**

(51) **LOC (9) Cl.** ..... **23-01**

(52) **U.S. Cl.** ..... **D23/226**

(58) **Field of Classification Search** ..... D23/213,  
D23/223, 226; 239/525–527; 4/615  
See application file for complete search history.

FIG. 1 is a top plan view;  
FIG. 2 is a left side elevation view;  
FIG. 3 is a front elevation view;  
FIG. 4 is a right side elevation view;  
FIG. 5 is a bottom plan view;  
FIG. 6 is a left perspective view;  
FIG. 7 is a right perspective view; and,  
FIG. 8 is a front perspective view.  
The broken line showing is included for the purpose of illustrating and forms no part of the claimed design.

(56) **References Cited**

**U.S. PATENT DOCUMENTS**

D380,808 S \* 7/1997 Barre ..... D23/226  
D441,052 S \* 4/2001 Lu ..... D23/226

**1 Claim, 2 Drawing Sheets**

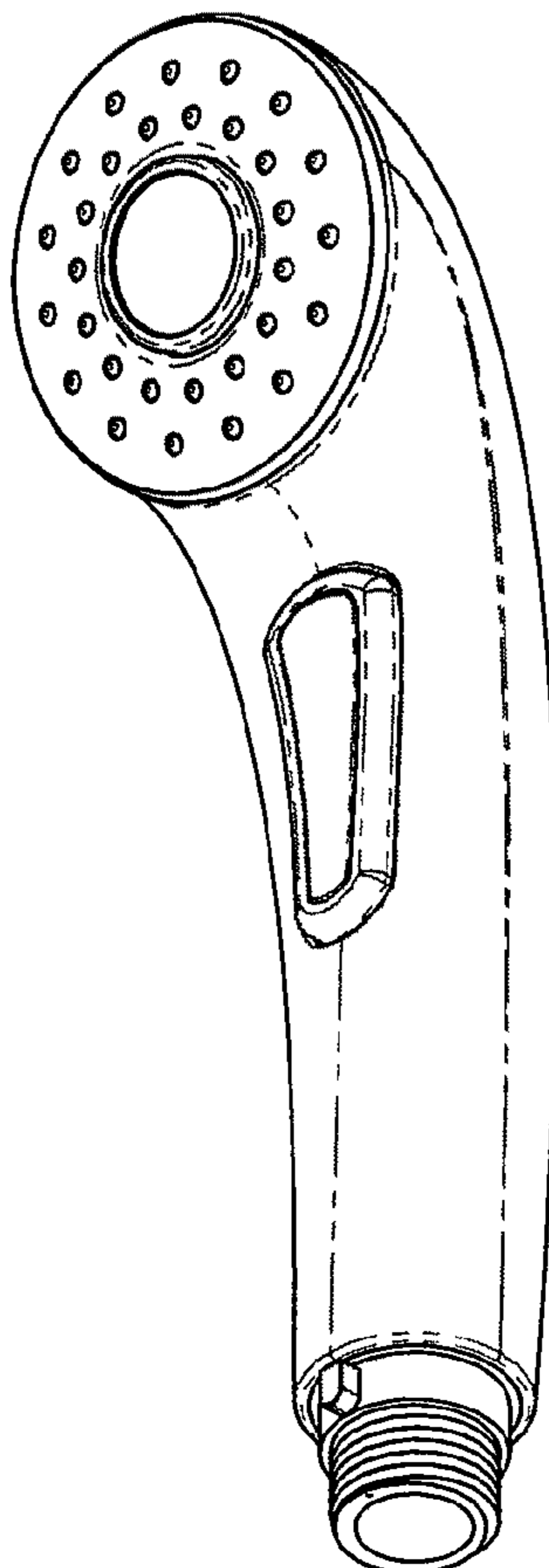


FIG. 1

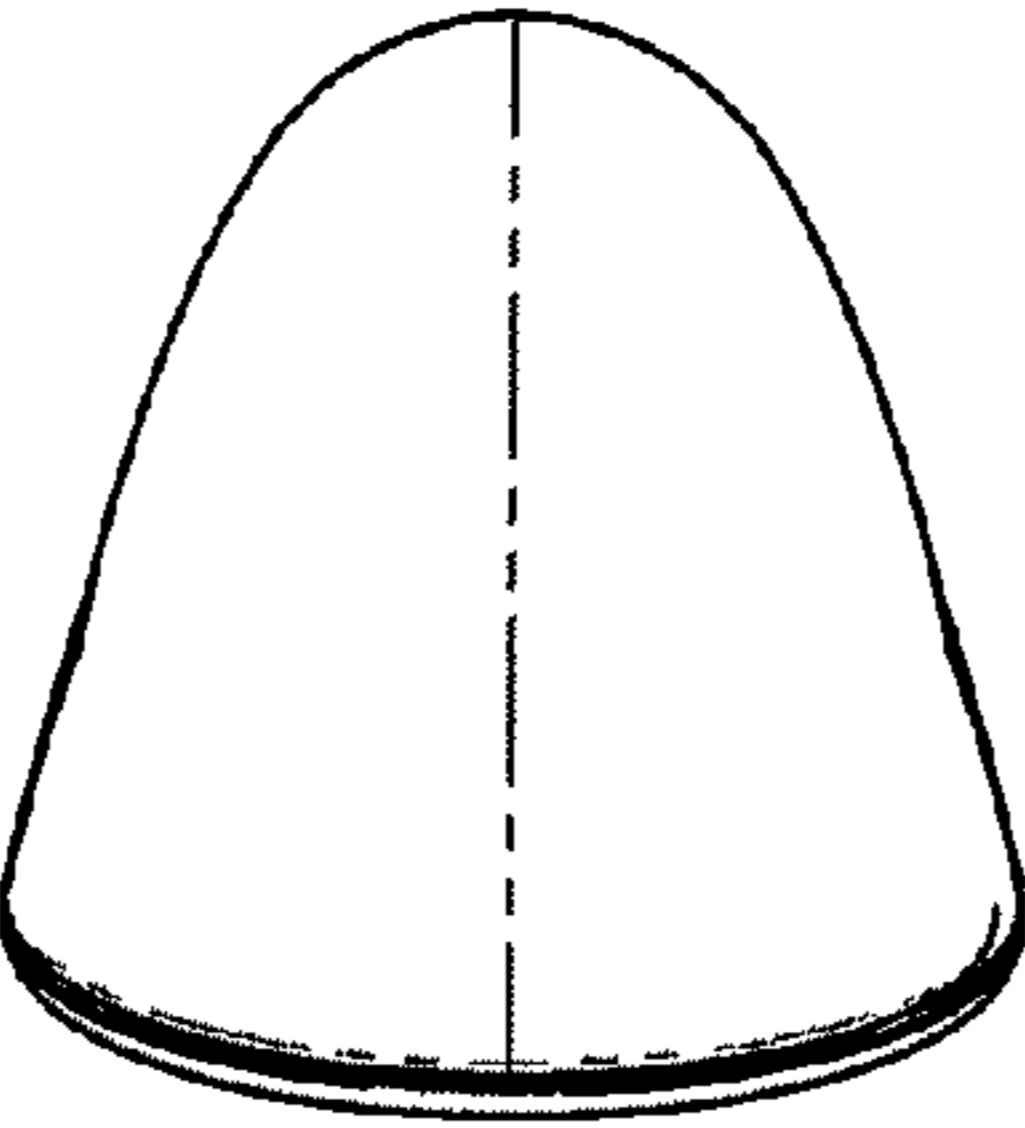


FIG. 2

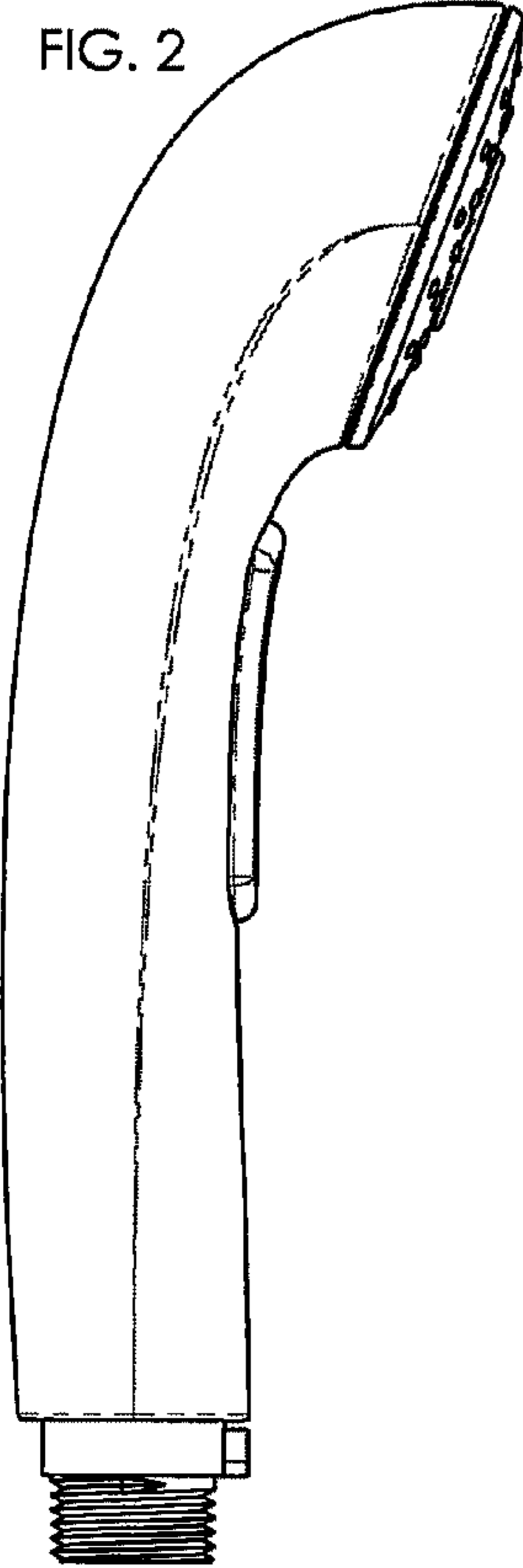


FIG. 3

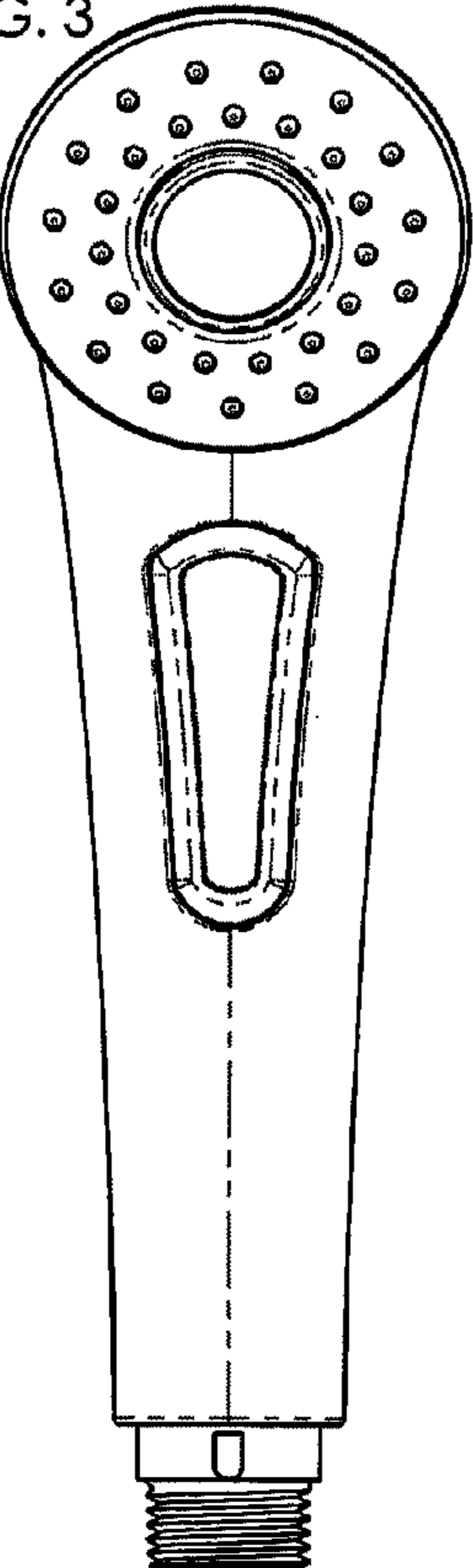


FIG. 4

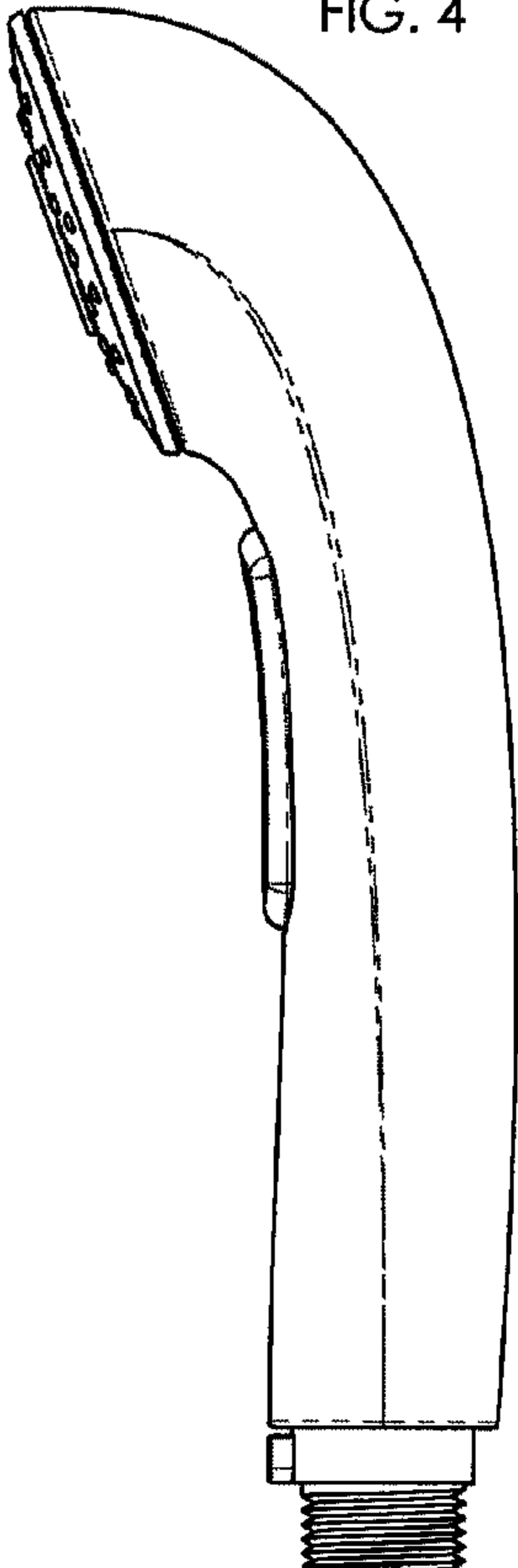
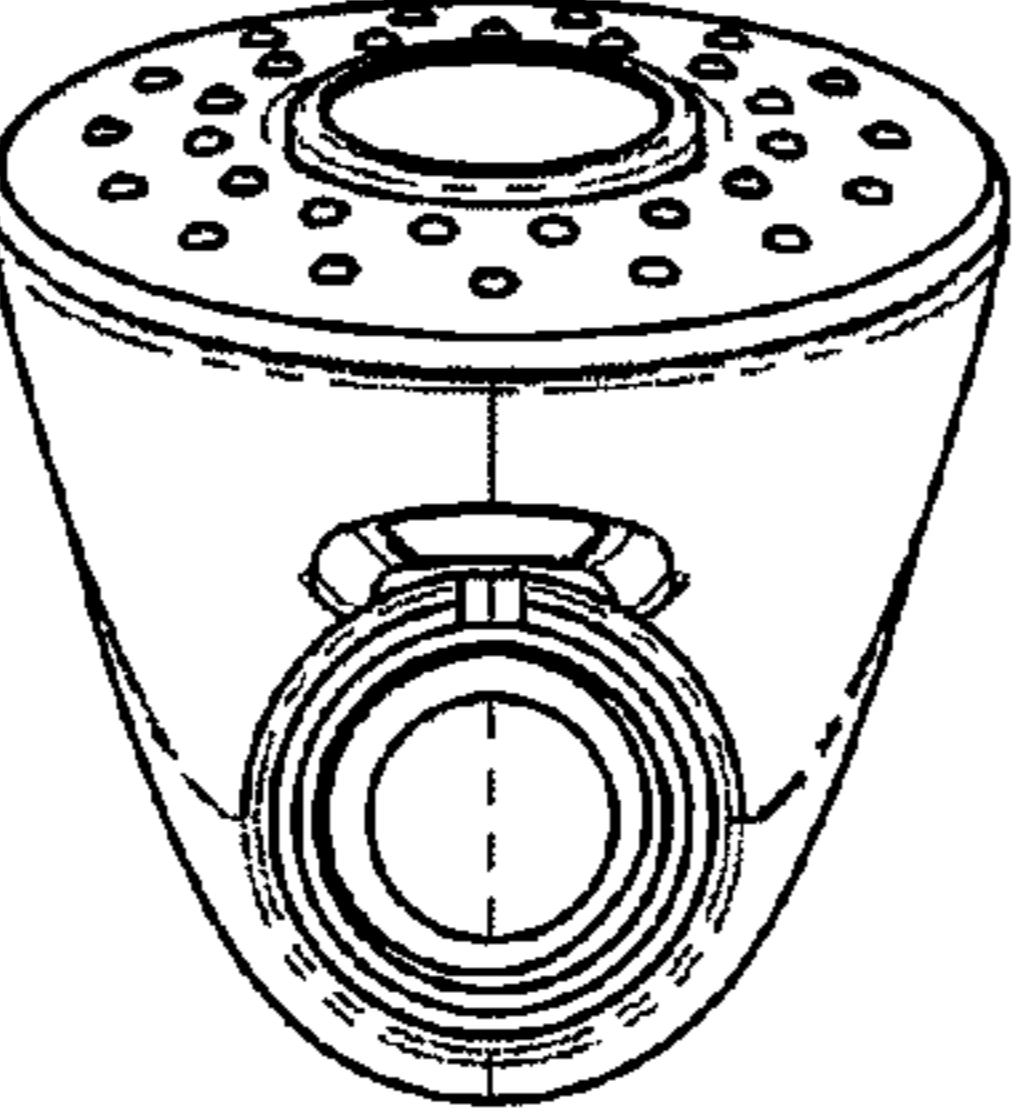


FIG. 5



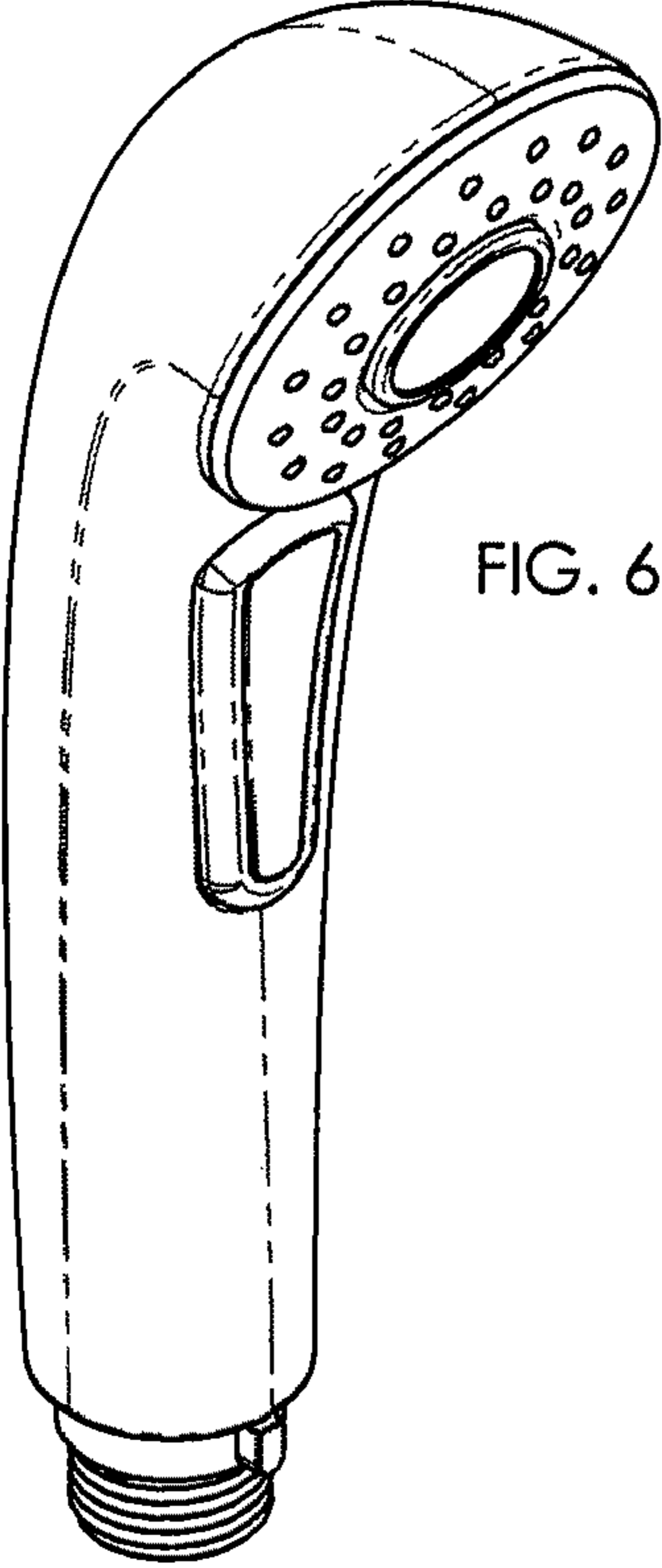


FIG. 6

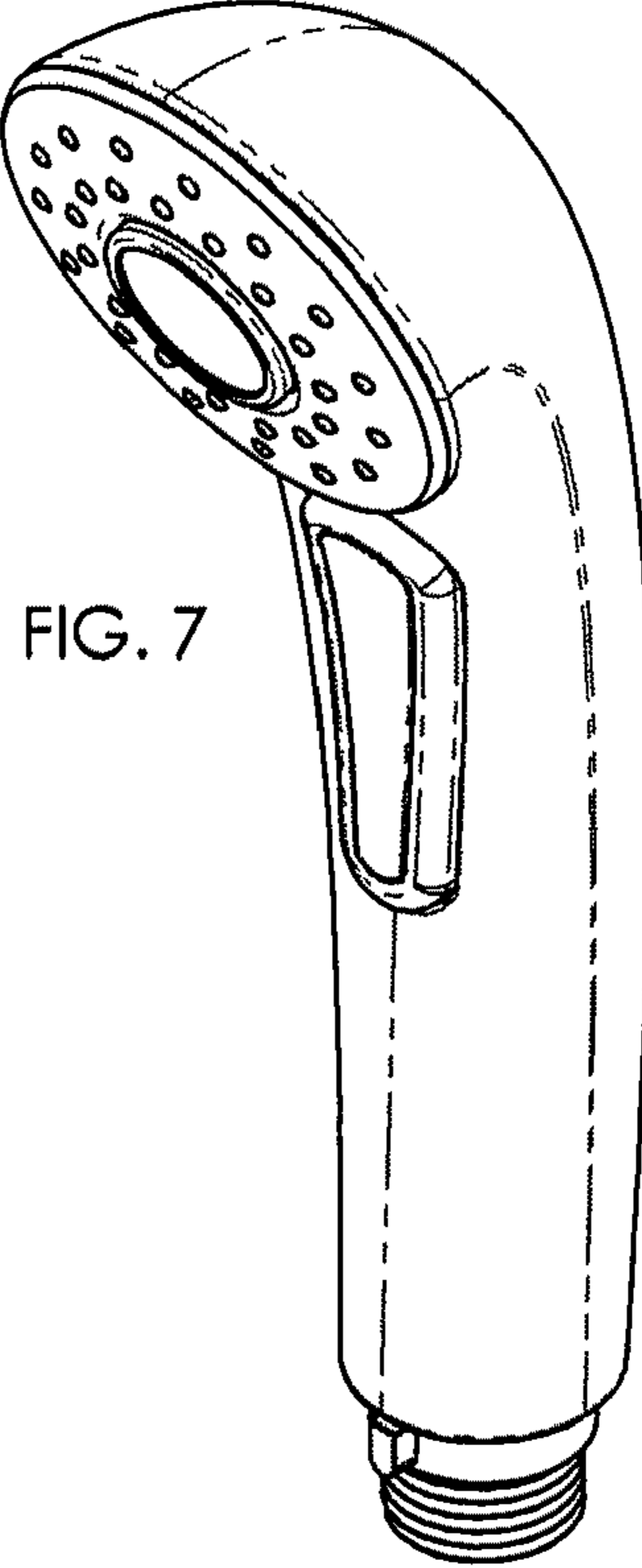


FIG. 7

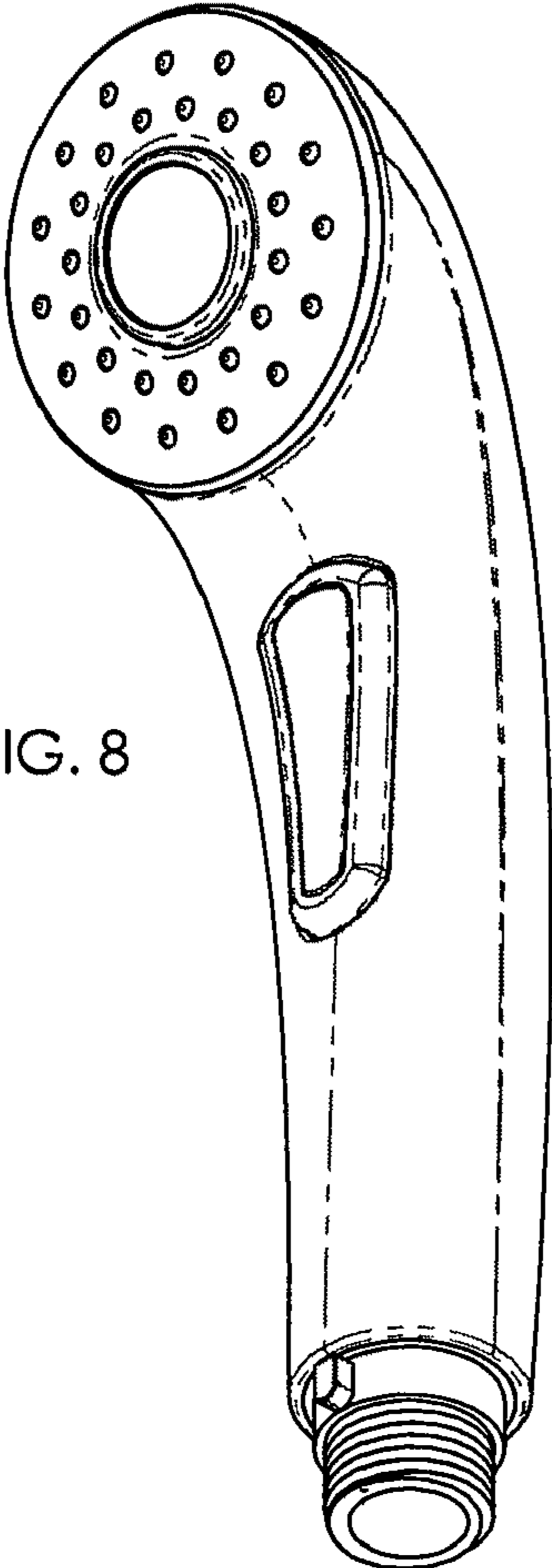


FIG. 8