



US00D639907S

(12) **United States Design Patent**
Jewell et al.

(10) **Patent No.:** **US D639,907 S**

(45) **Date of Patent:** **** Jun. 14, 2011**

(54) **POP-UP LAWN SPRINKLER**

(76) Inventors: **Raymond B. Jewell**, Richmond, VA
(US); **Susan R. Jewell**, Richmond, VA
(US)

(**) Term: **14 Years**

(21) Appl. No.: **29/314,496**

(22) Filed: **Apr. 7, 2009**

(51) **LOC (9) Cl.** **23-01**

(52) **U.S. Cl.** **D23/214**

(58) **Field of Classification Search** D23/213,
D23/214-219; 239/201-204

See application file for complete search history.

(56) **References Cited**

U.S. PATENT DOCUMENTS

D318,711 S *	7/1991	Dowell	D23/214
5,040,729 A *	8/1991	Carrozza	239/201
D327,728 S *	7/1992	Baker	D23/214
5,150,838 A *	9/1992	Roberts	239/201

* cited by examiner

Primary Examiner — Robin V Webster

(74) *Attorney, Agent, or Firm* — Norman B. Rainer

(57) **CLAIM**

The ornamental design for a pop-up lawn sprinkler, as shown and described.

DESCRIPTION

FIG. 1 is a side view of a pop-up lawn sprinkler showing our new design, and showing in broken outline a replaceable sprinkler head and a garden hose, not parts of the present invention, the unshown opposite side being of identical appearance;

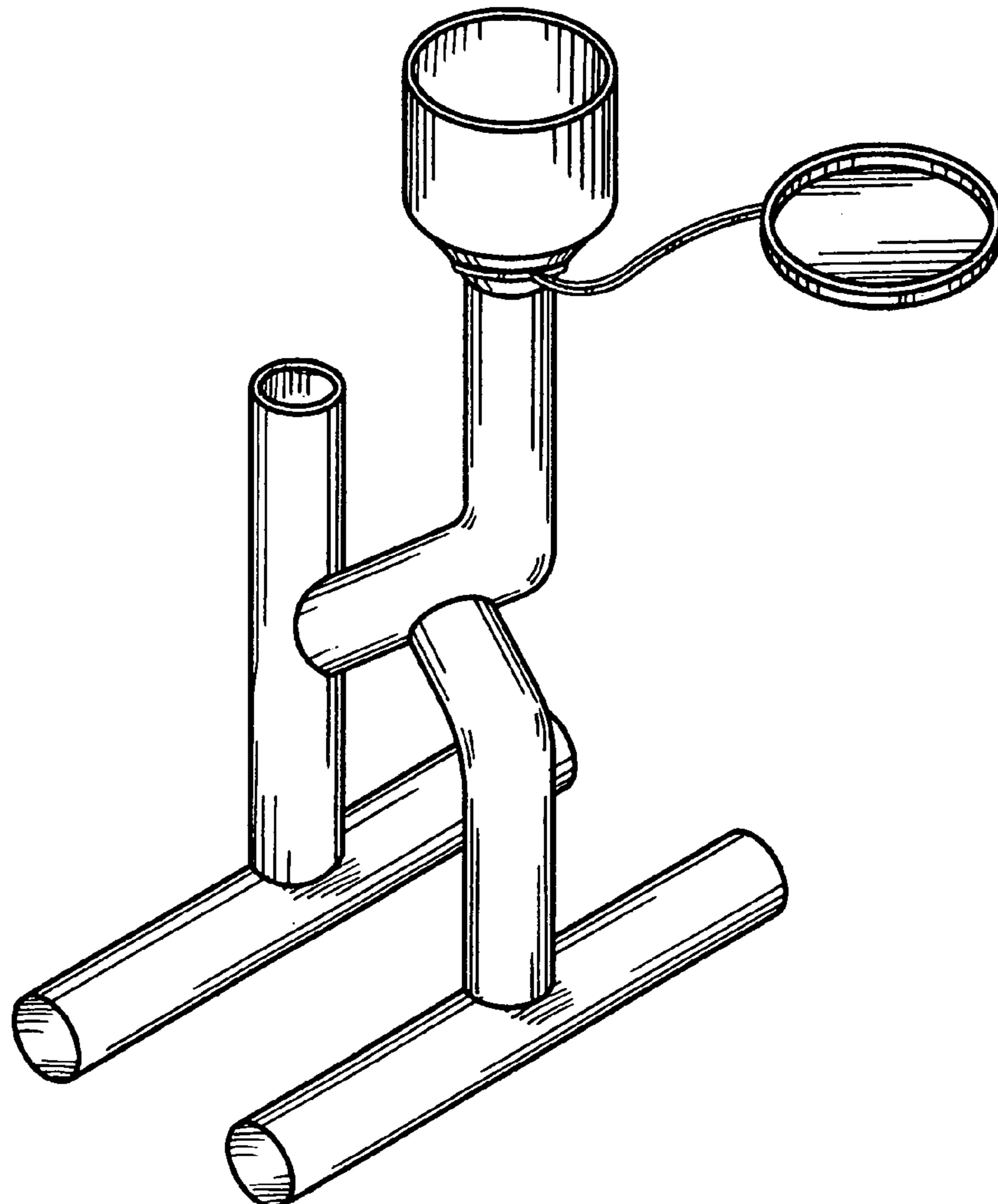
FIG. 2 is a perspective side view thereof;

FIG. 3 is a right end view thereof, showing the closure cap in its closed position;

FIG. 4 is a top view thereof; and,

FIG. 5 is a left end view thereof.

1 Claim, 3 Drawing Sheets



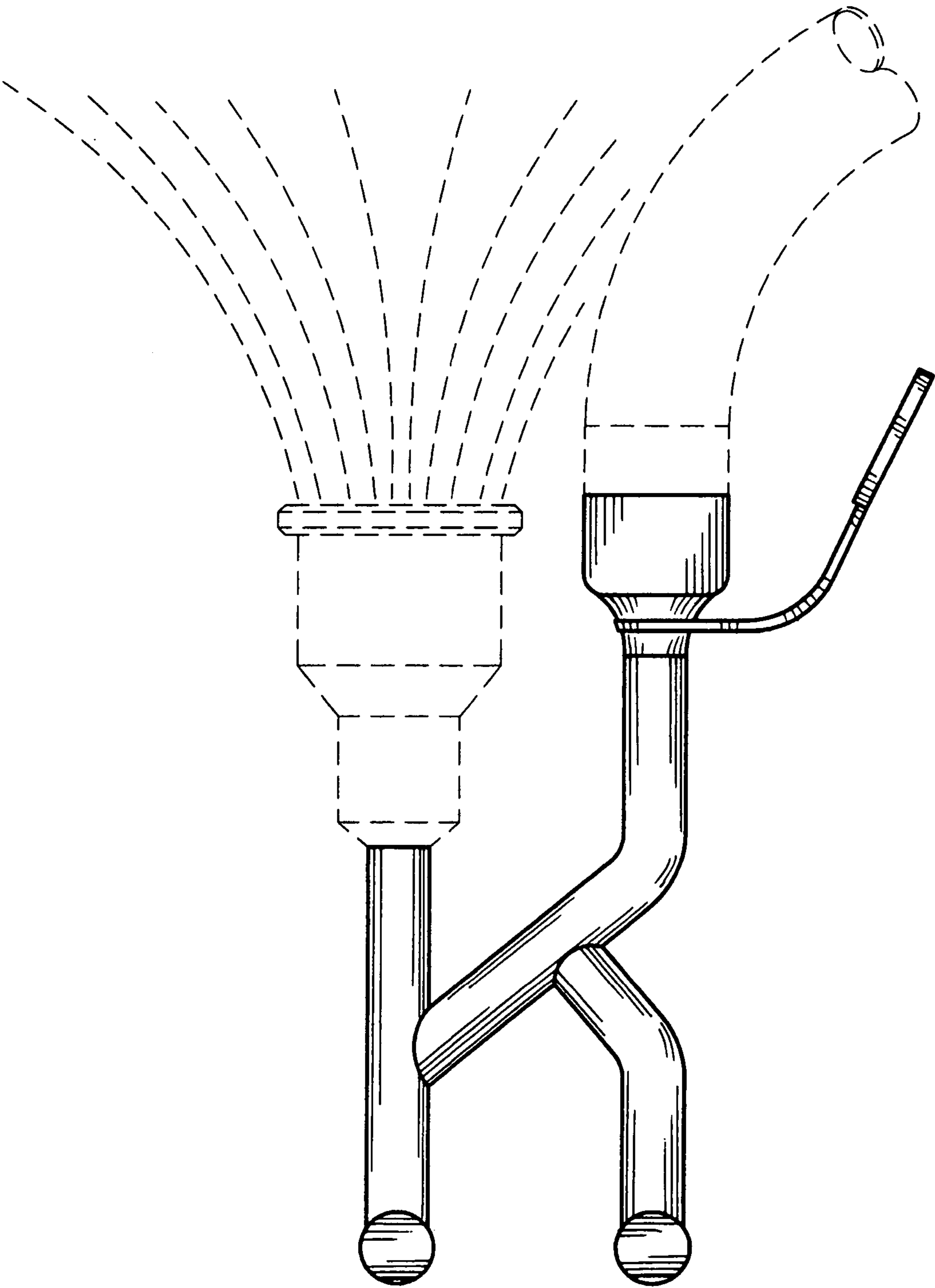


FIG. 1

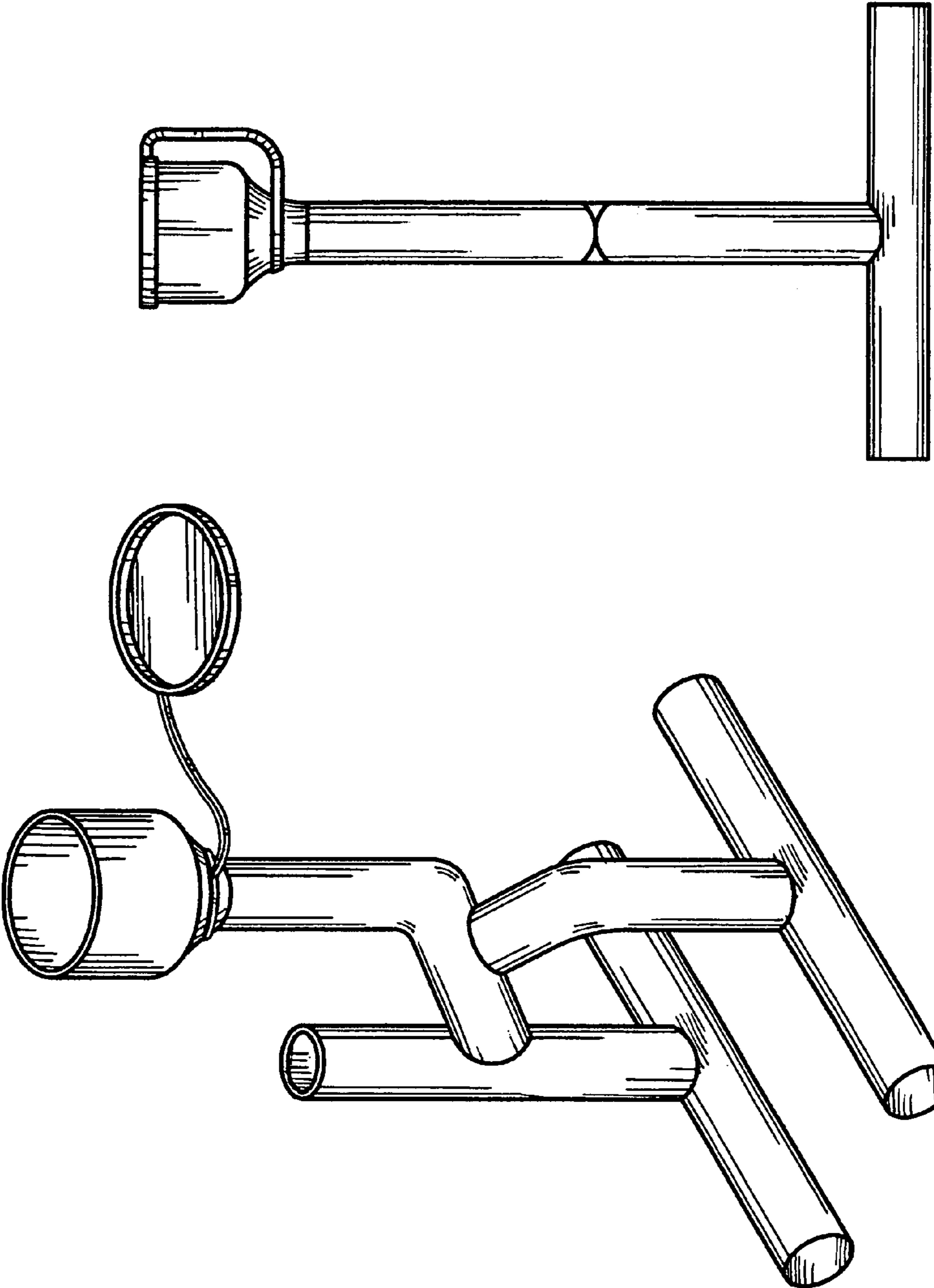


FIG. 3

FIG. 2

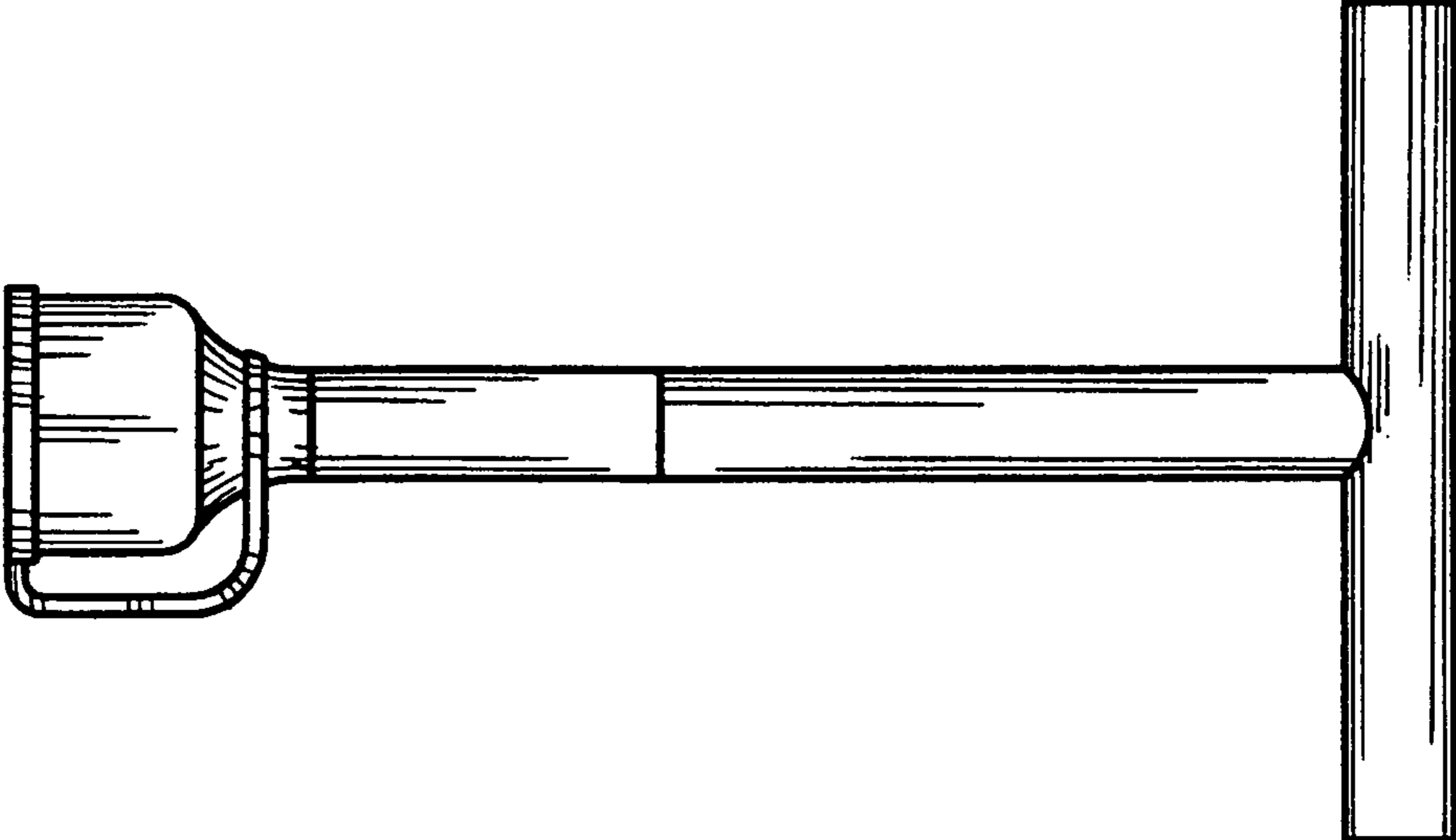


FIG. 5

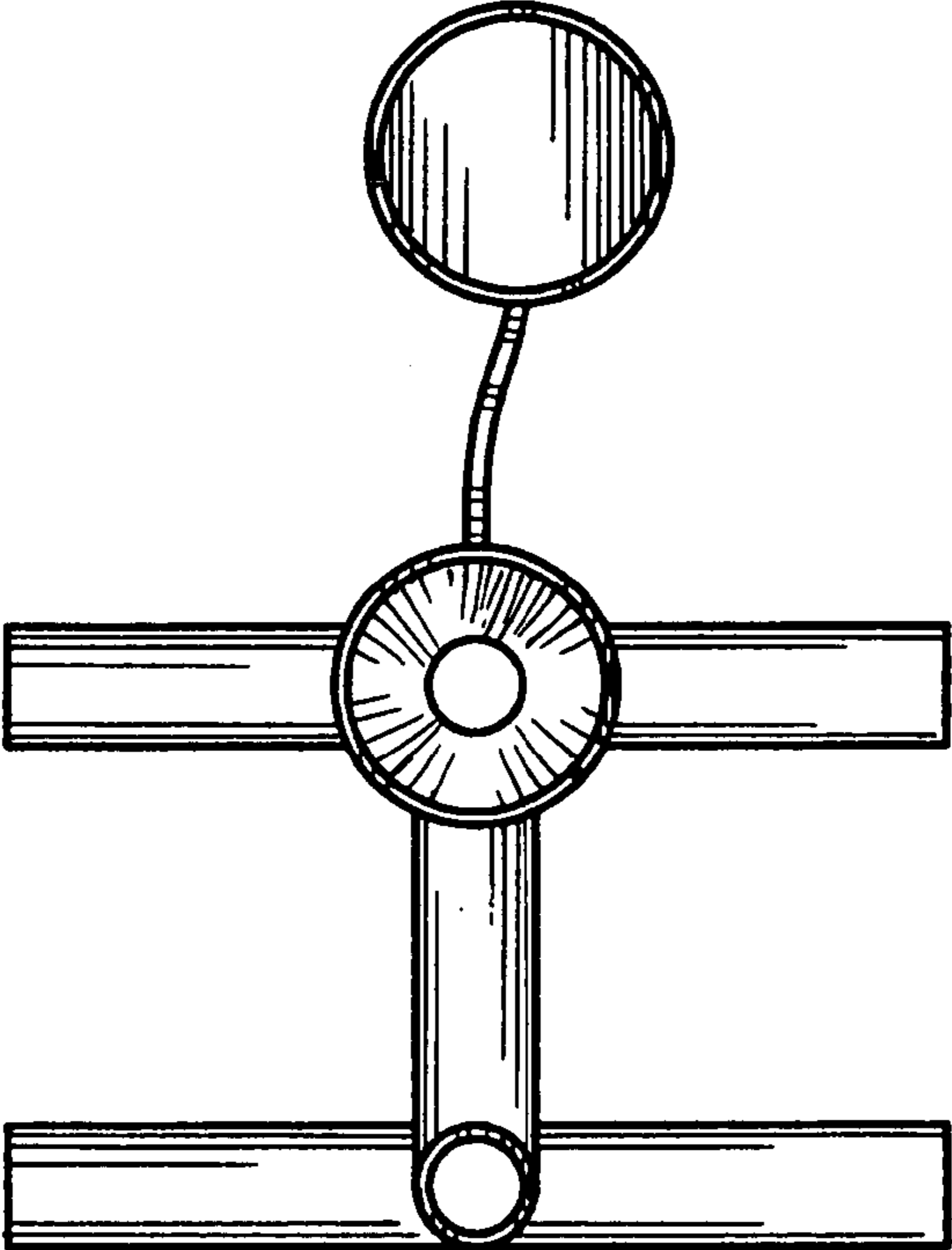


FIG. 4