



US00D639904S

(12) **United States Design Patent**  
**Uchida**

(10) **Patent No.:** **US D639,904 S**

(45) **Date of Patent:** **\*\* Jun. 14, 2011**

(54) **SILENCER FOR AIR PRESSURE DEVICES**

(75) Inventor: **Shunsuke Uchida**, Tsukubamirai (JP)

(73) Assignee: **SMC Corporation**, Chiyoda-ku, Tokyo (JP)

(\*\*) Term: **14 Years**

(21) Appl. No.: **29/381,559**

(22) Filed: **Dec. 20, 2010**

(30) **Foreign Application Priority Data**

Sep. 10, 2010 (JP) ..... 2010-021870

(51) **LOC (9) Cl.** ..... **23-01**

(52) **U.S. Cl.** ..... **D23/213**

(58) **Field of Classification Search** ..... D23/213;  
239/418, DIG. 21, DIG. 22

See application file for complete search history.

(56) **References Cited**

**U.S. PATENT DOCUMENTS**

3,973,642	A *	8/1976	Dahlquist	.....	181/264
3,982,605	A *	9/1976	Sneckenberger	.....	181/247
4,184,638	A *	1/1980	Ogasawara et al.	.....	239/418
D371,426	S *	7/1996	Darin	.....	D23/213
D388,501	S *	12/1997	Clivio	.....	D23/213

D504,936	S *	5/2005	Yeager	.....	D23/213
D549,802	S *	8/2007	Guenther	.....	D23/213
D565,697	S *	4/2008	Thiel et al.	.....	D23/213
D570,953	S *	6/2008	Patterson et al.	.....	D23/213
D630,298	S *	1/2011	Henry	.....	D23/213

\* cited by examiner

*Primary Examiner* — Robin Webster

(74) *Attorney, Agent, or Firm* — Yokoi & Co., U.S.A., Inc.;  
Toshiyuki Yokoi

(57) **CLAIM**

The ornamental design for a silencer for air pressure devices,  
as shown and described.

**DESCRIPTION**

FIG. 1 shows a front view of a silencer for air pressure devices showing my new design;  
 FIG. 2 shows a rear view thereof;  
 FIG. 3 shows a right side view thereof;  
 FIG. 4 shows a left side view thereof;  
 FIG. 5 shows a top view thereof;  
 FIG. 6 shows a bottom view thereof;  
 FIG. 7 shows a top, front and right side perspective view thereof; and,  
 FIG. 8 shows a cross-sectional view thereof, taken along line 8—8 in FIG. 1.

**1 Claim, 7 Drawing Sheets**

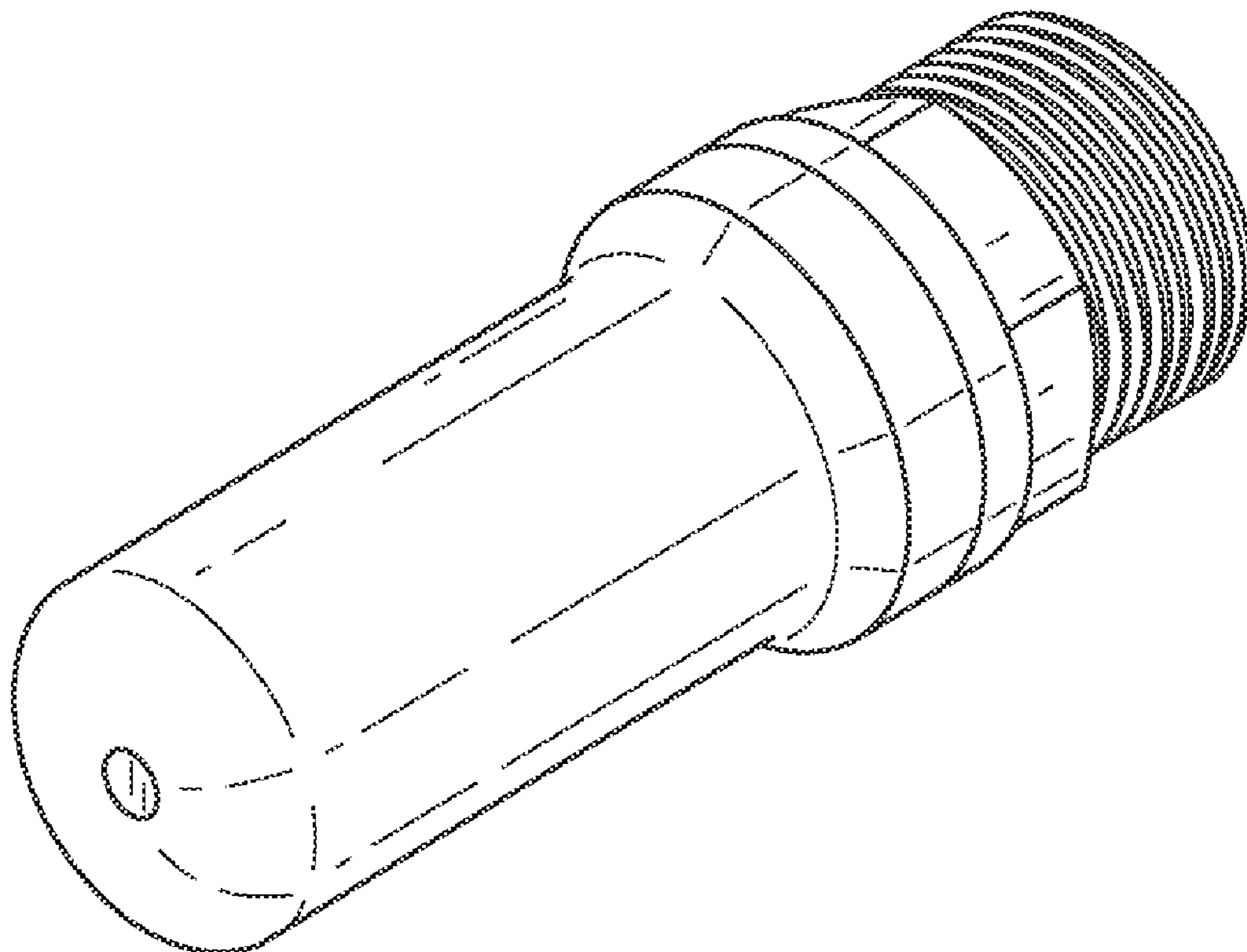


FIG. 1

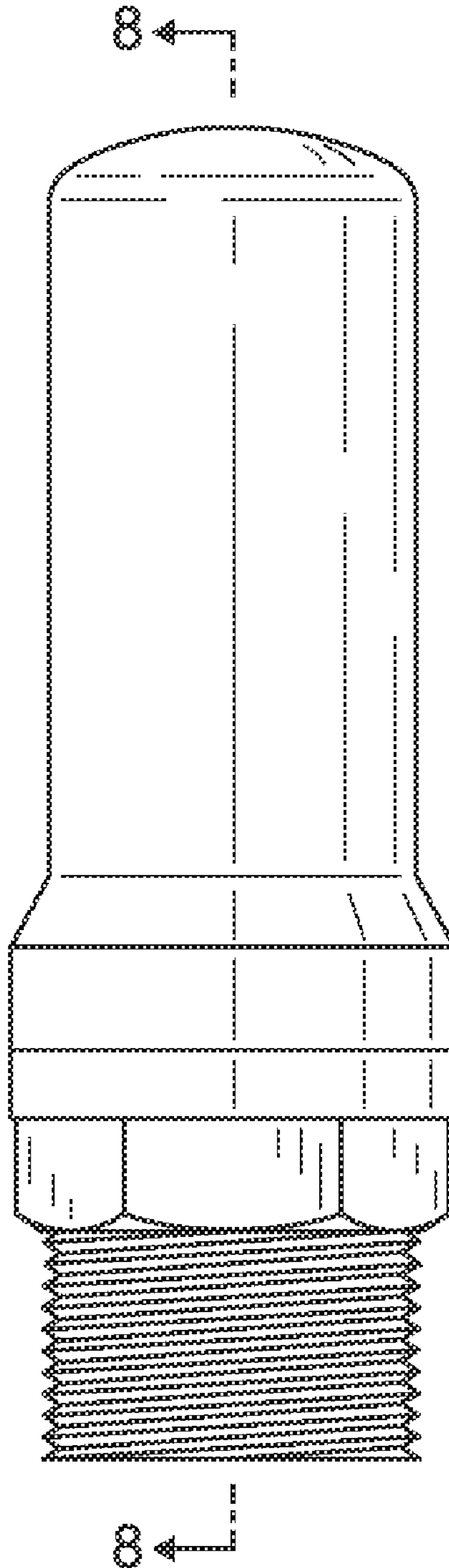


FIG. 2

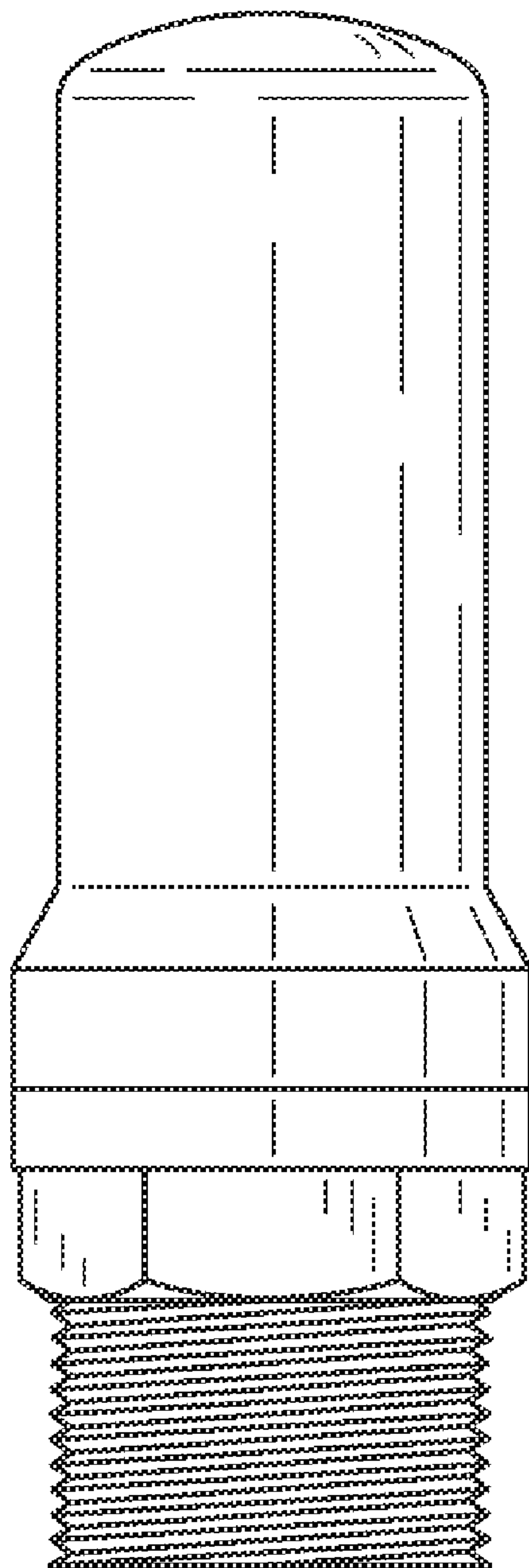


FIG. 3

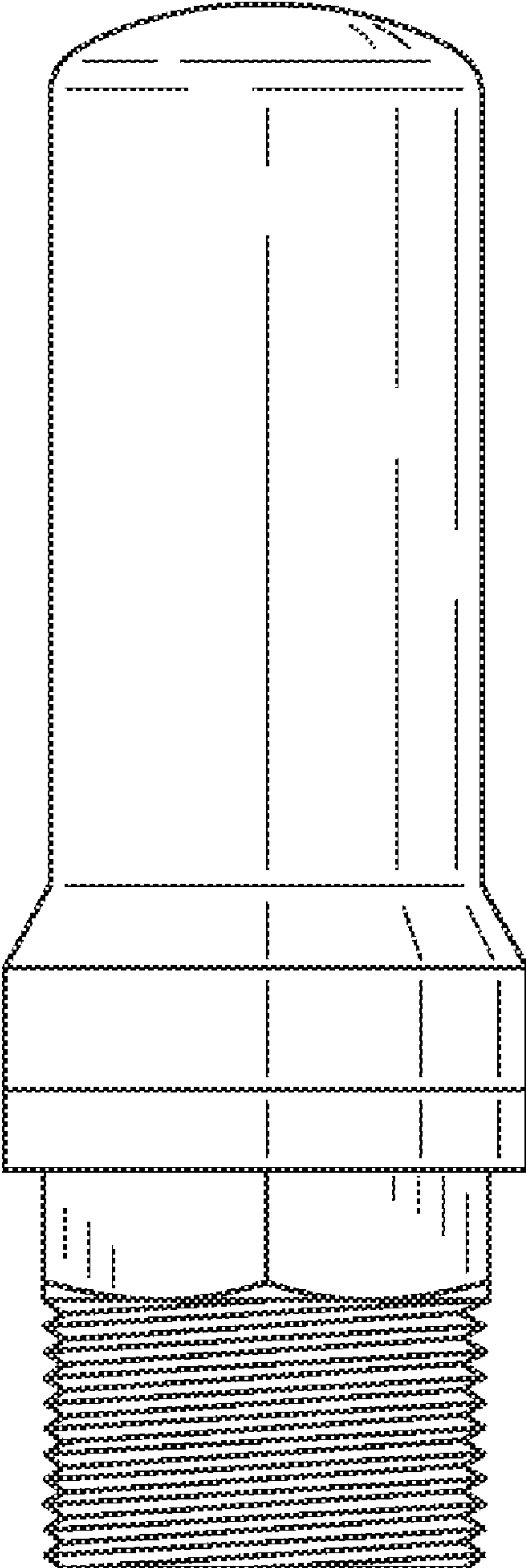


FIG. 4

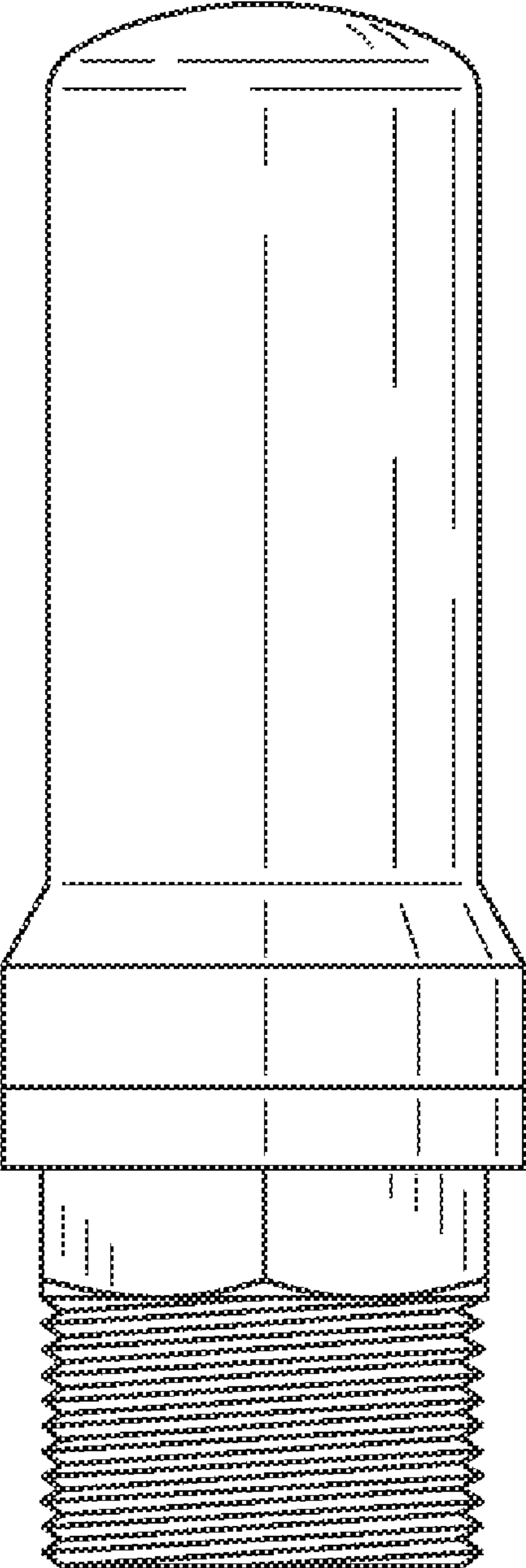


FIG. 5

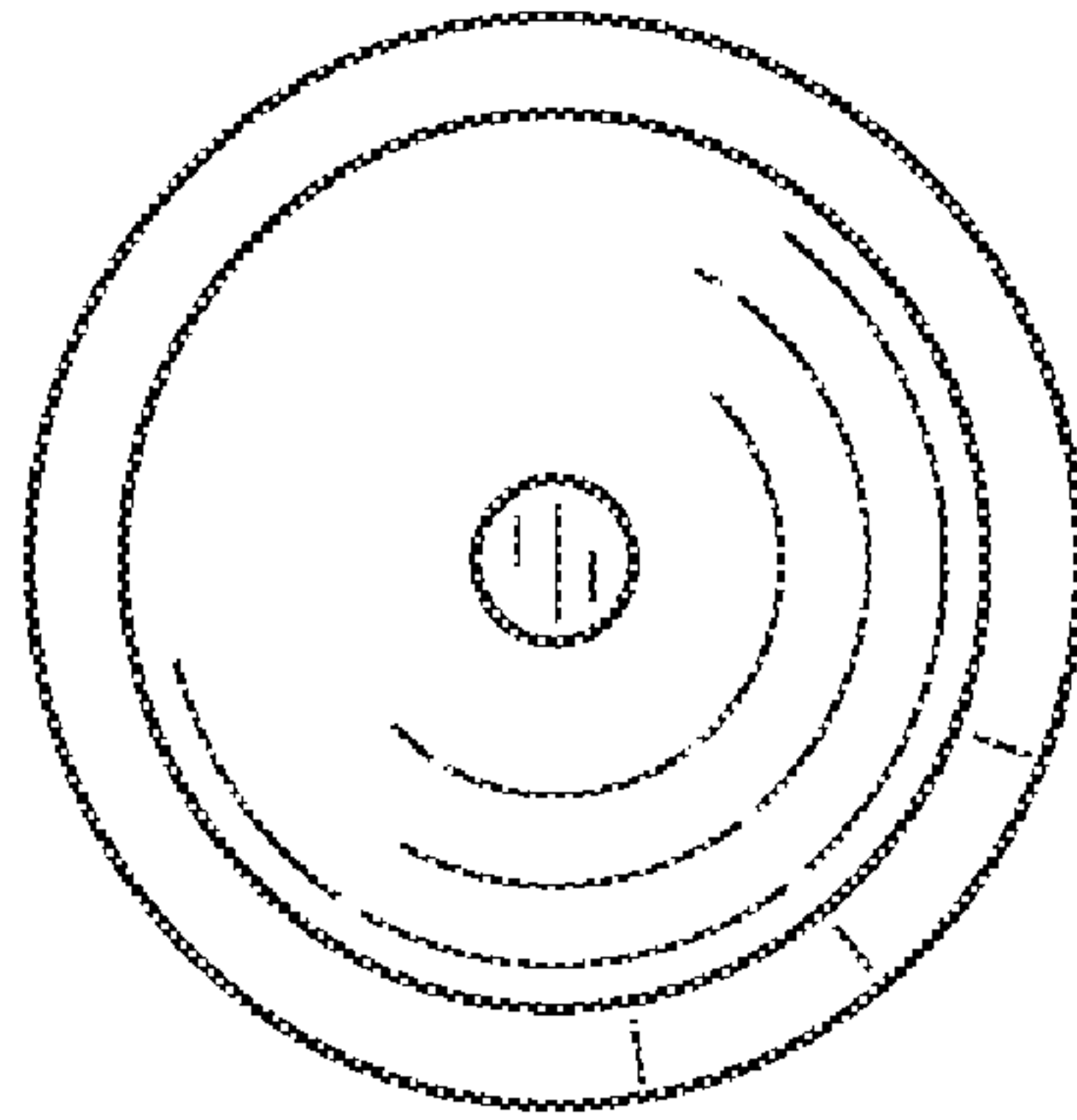


FIG. 6

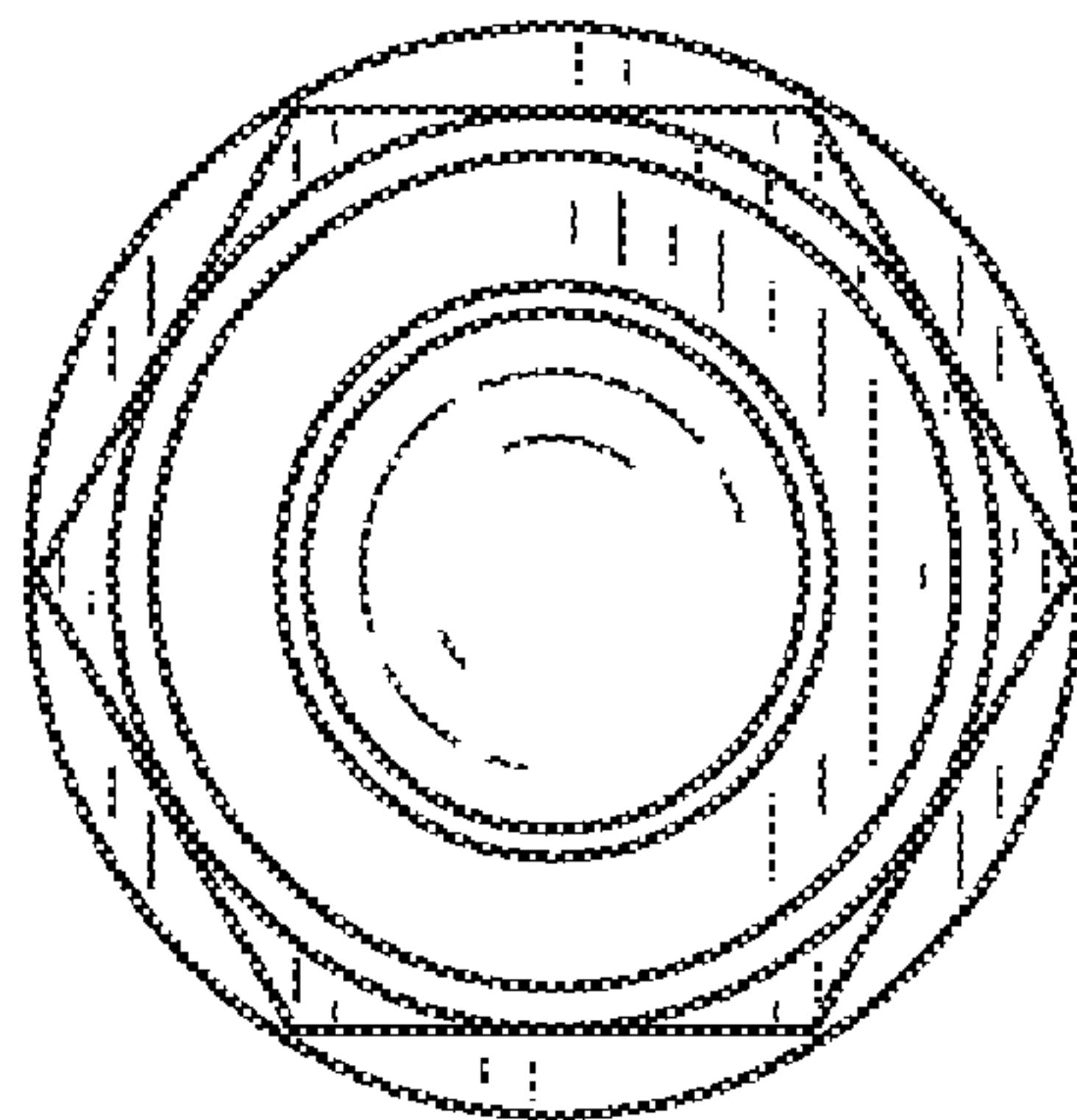


FIG. 7

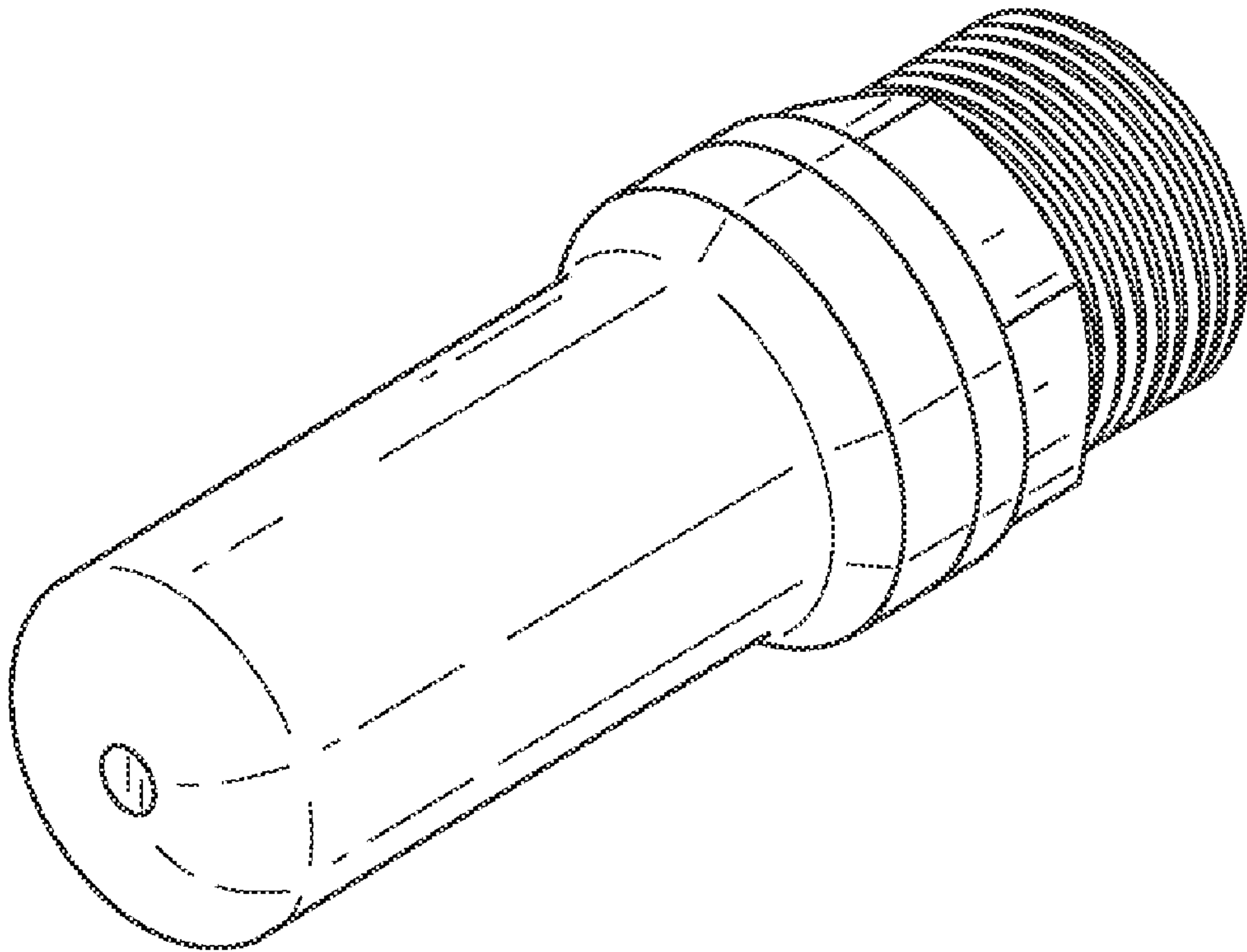




FIG. 8

