



US00D639899S

(12) **United States Design Patent**
Reid et al.

(10) **Patent No.:** **US D639,899 S**

(45) **Date of Patent:** **** Jun. 14, 2011**

(54) **FILTER BLOCK FOR LIQUID FILTRATION**

(76) Inventors: **Roger P. Reid**, Caldwell, ID (US);
Bruce D Saaski, Nampa, ID (US)

(**) Term: **14 Years**

(21) Appl. No.: **29/360,970**

(22) Filed: **May 4, 2010**

(51) **LOC (9) Cl.** **23-01**

(52) **U.S. Cl.** **D23/209**

(58) **Field of Classification Search** D23/207,
D23/209; 210/282, 464, 807; D24/101
See application file for complete search history.

(56) **References Cited**

U.S. PATENT DOCUMENTS

D579,515 S *	10/2008	Bell et al.	D23/209
D612,906 S *	3/2010	Reid et al.	D23/209
D615,150 S *	5/2010	Reid et al.	D23/209
D617,869 S *	6/2010	Reid et al.	D23/209

* cited by examiner

Primary Examiner — Robin V Webster

(74) *Attorney, Agent, or Firm* — Pederson and Company, PLLC; Ken J. Pedersen; Barbara S. Pedersen

(57) **CLAIM**

The ornamental design for a filter block for liquid filtration, as shown and described.

DESCRIPTION

FIG. 1 is a top perspective view of the invented design for a filter block for liquid filtration.

FIG. 2 is a top view of the filter block of FIG. 1.

FIG. 3 is a bottom view of the filter block of FIG. 1.

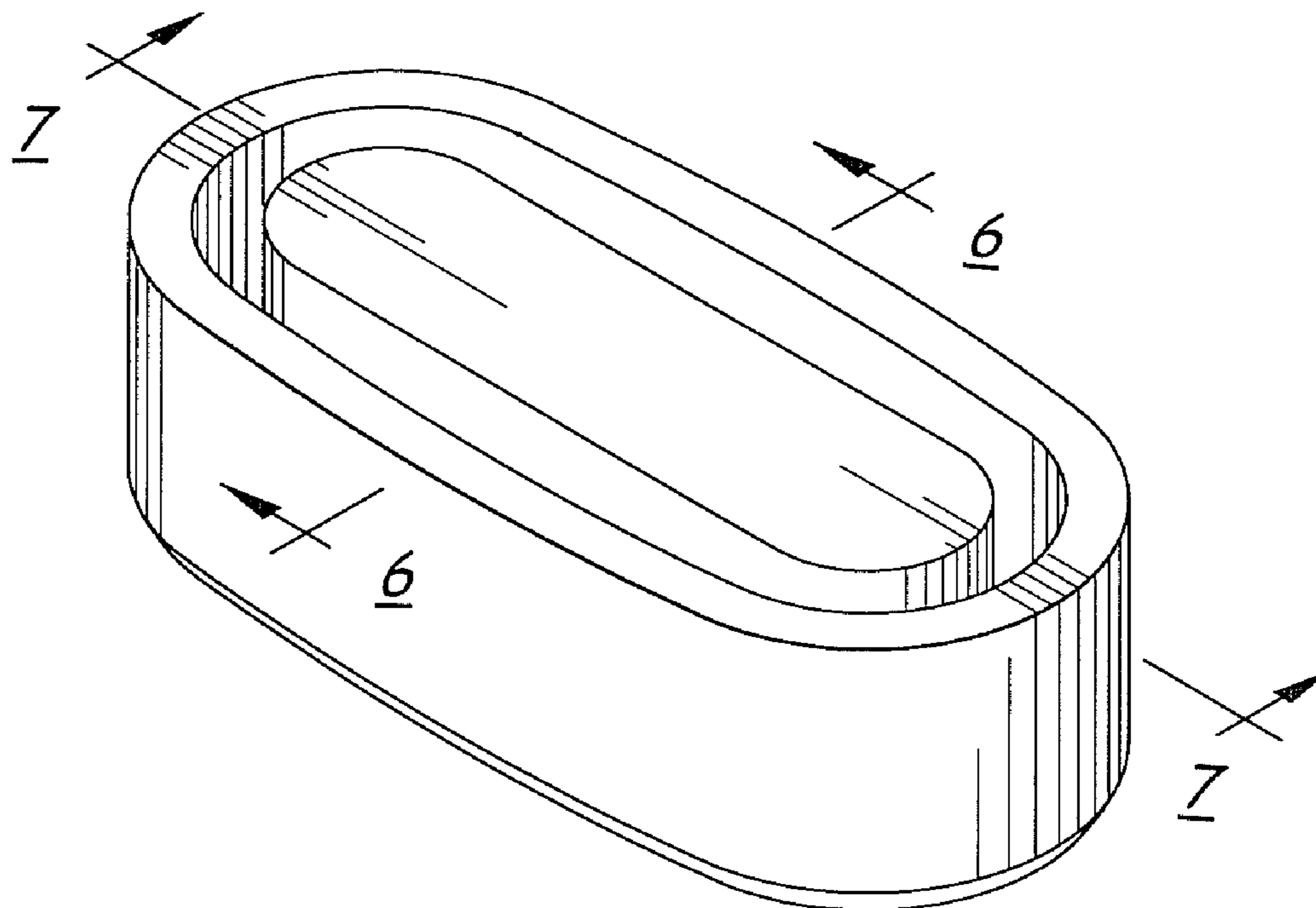
FIG. 4 is a side view of the filter block of FIG. 1, with right and left side views being the same.

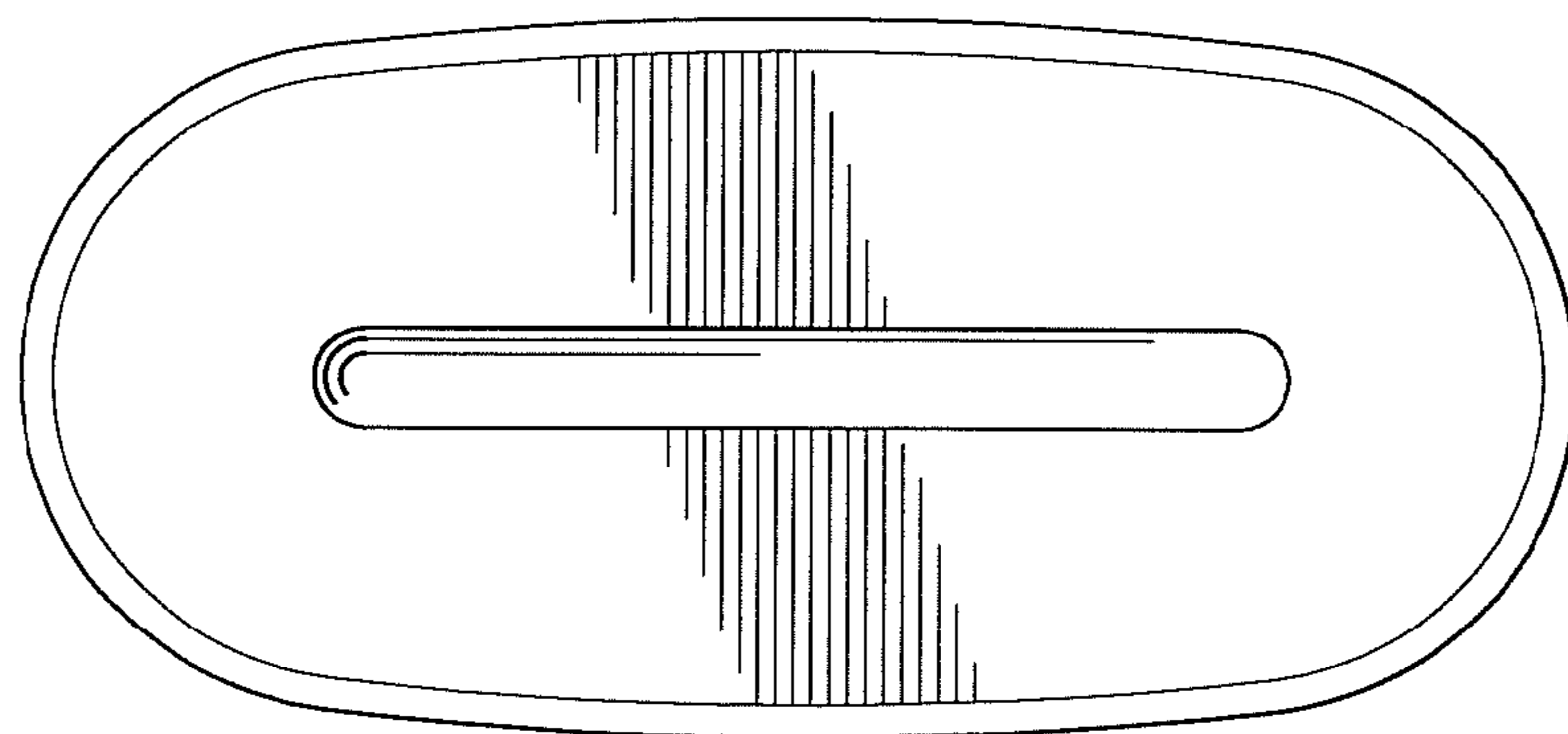
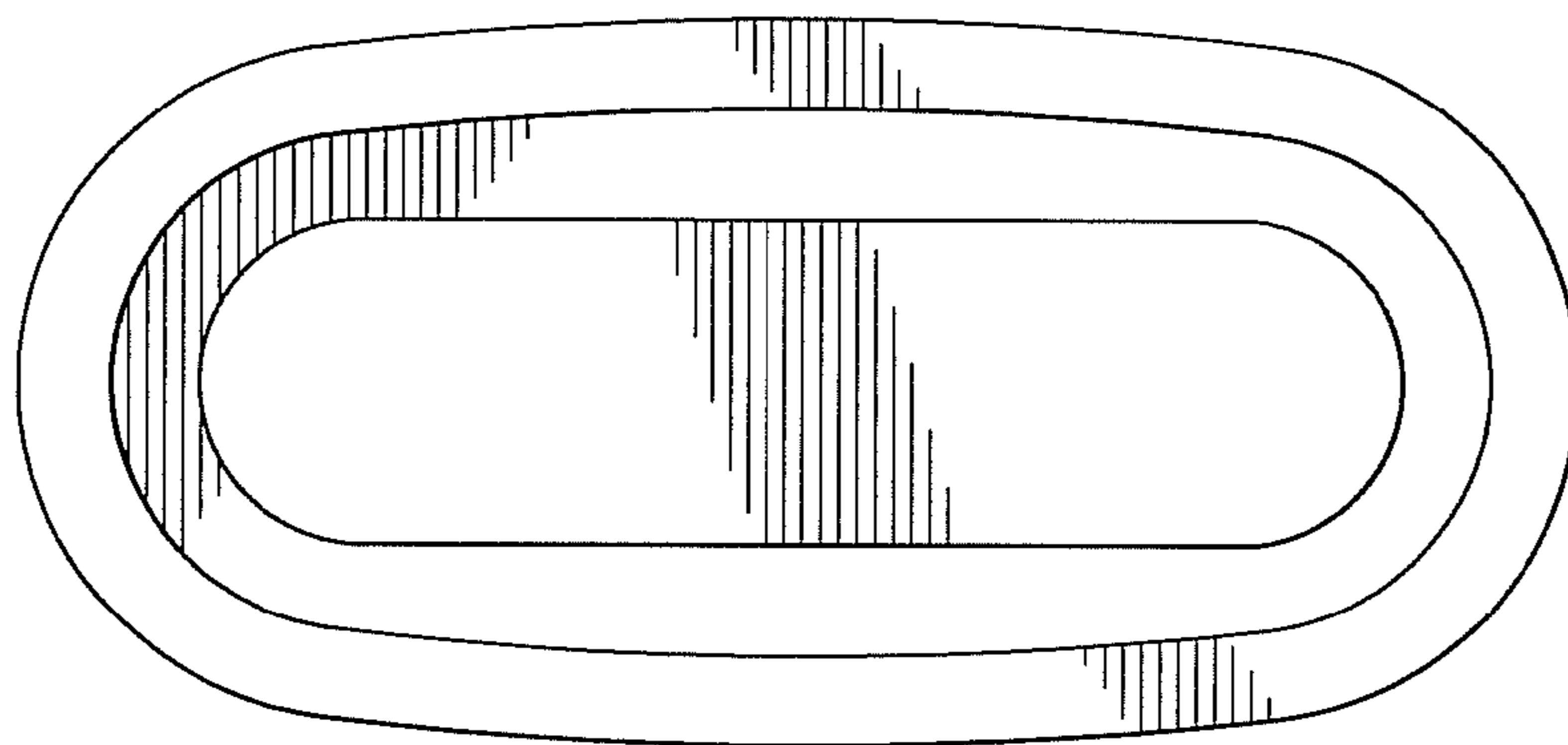
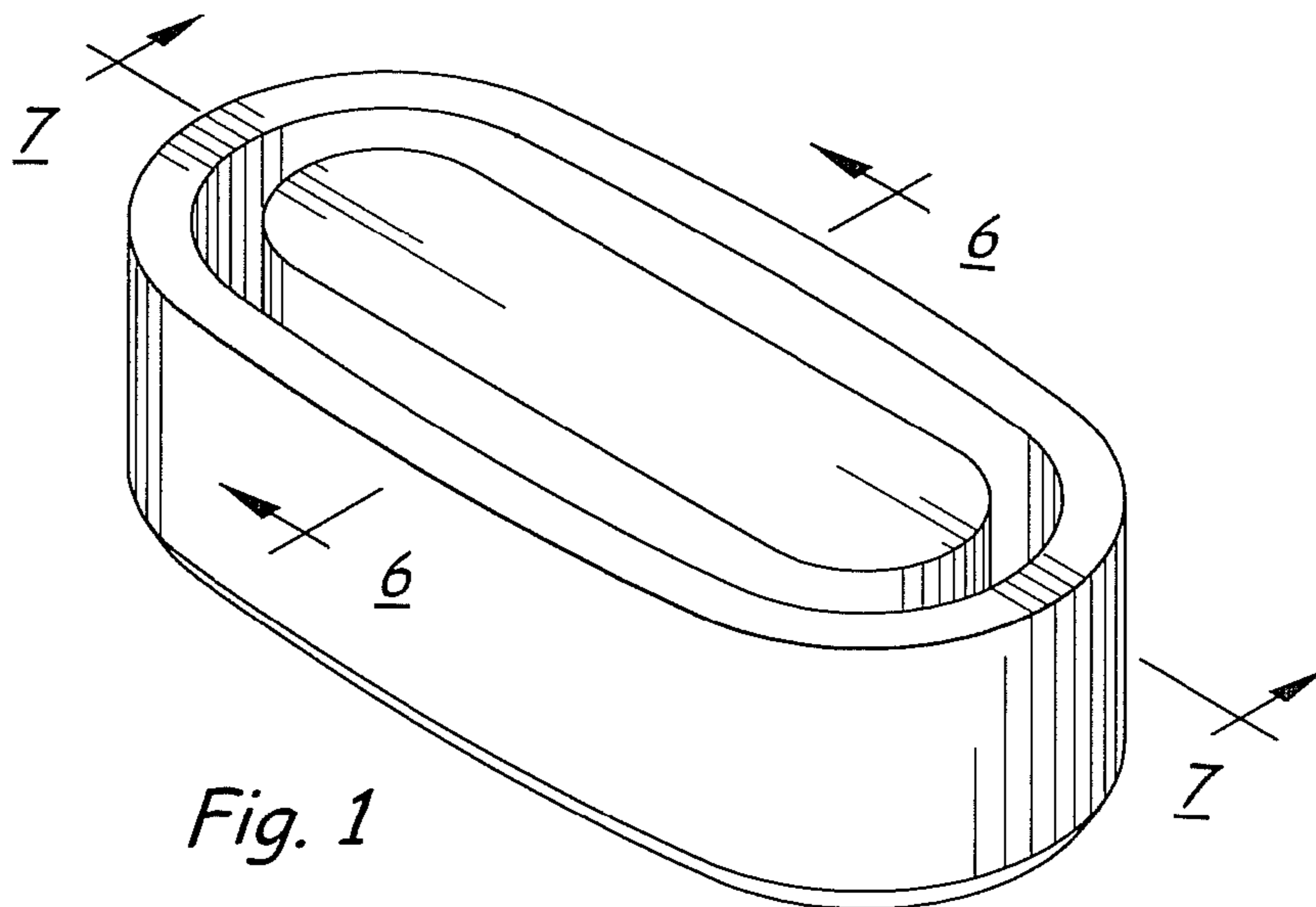
FIG. 5 is an end view of the filter block of FIG. 1, with right and left end views being the same.

FIG. 6 is a cross-sectional end view of the filter block of FIG. 1, viewed along 6—6 in FIG. 1, the cross-section being taken vertically side-to-side through the center of the filter block, and wherein stippling indicates the cut surface; and,

FIG. 7 is a cross-sectional side view of the filter block of FIG. 1, viewed along 7—7 in FIG. 1, the cross-section being taken vertically end-to-end through the center of the filter block, and wherein stippling indicates the cut surface.

1 Claim, 2 Drawing Sheets





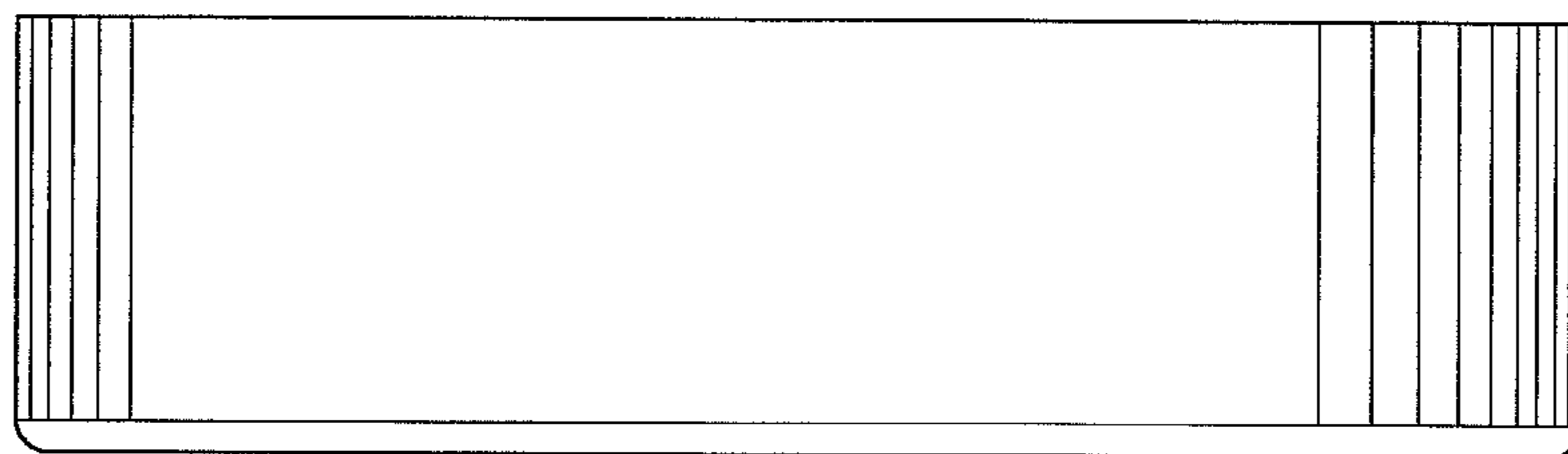


Fig. 4

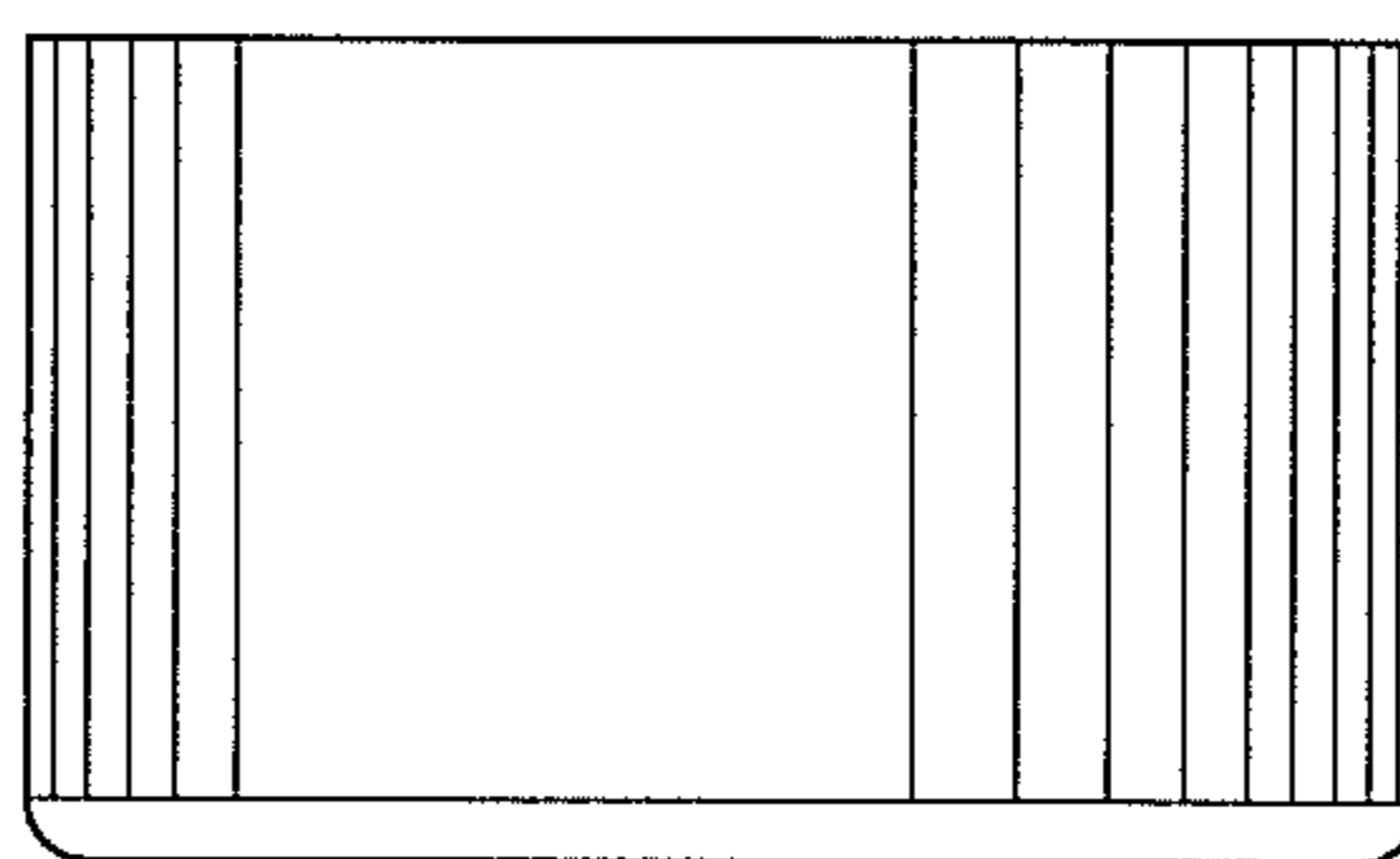


Fig. 5

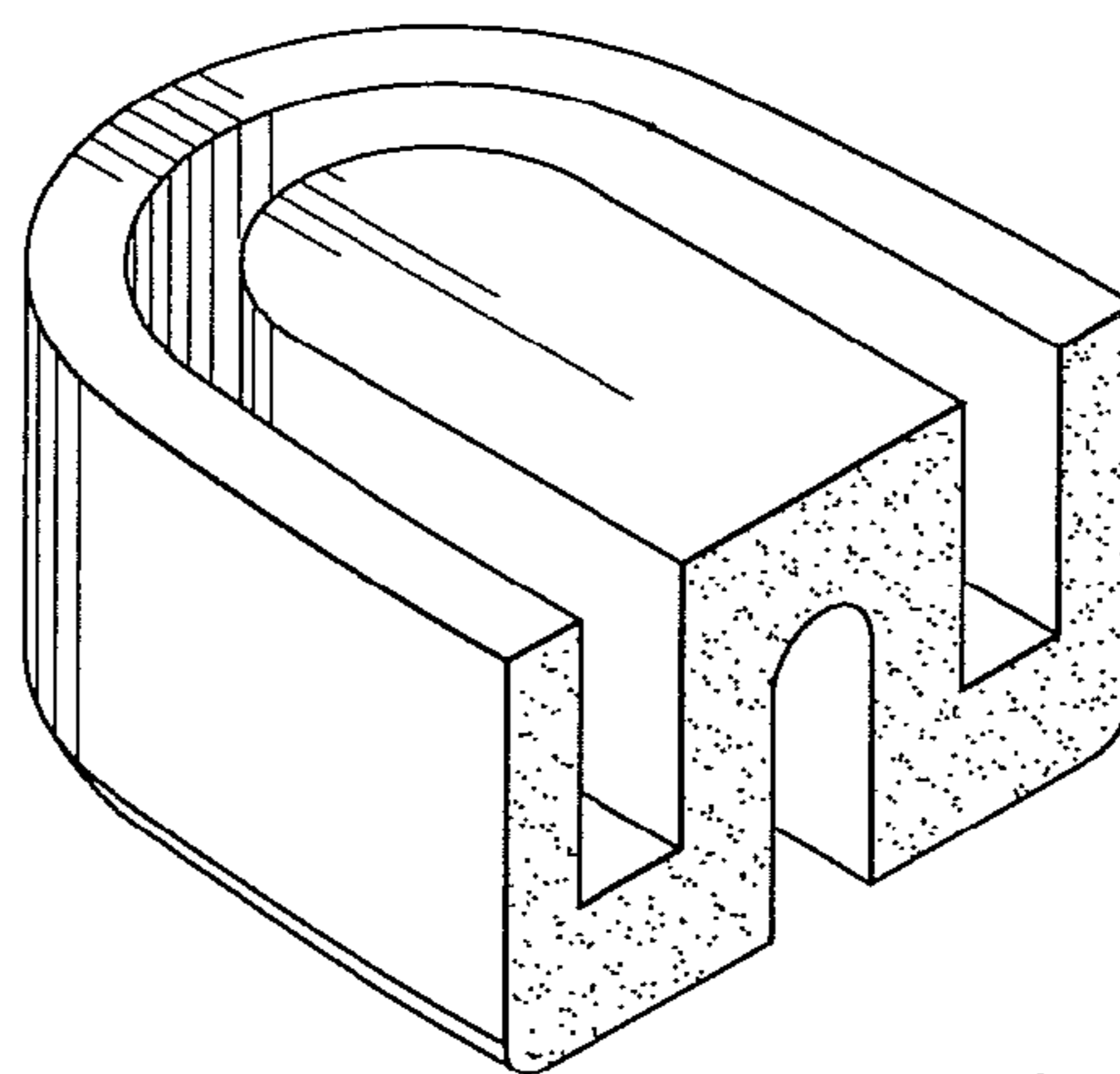


Fig. 6

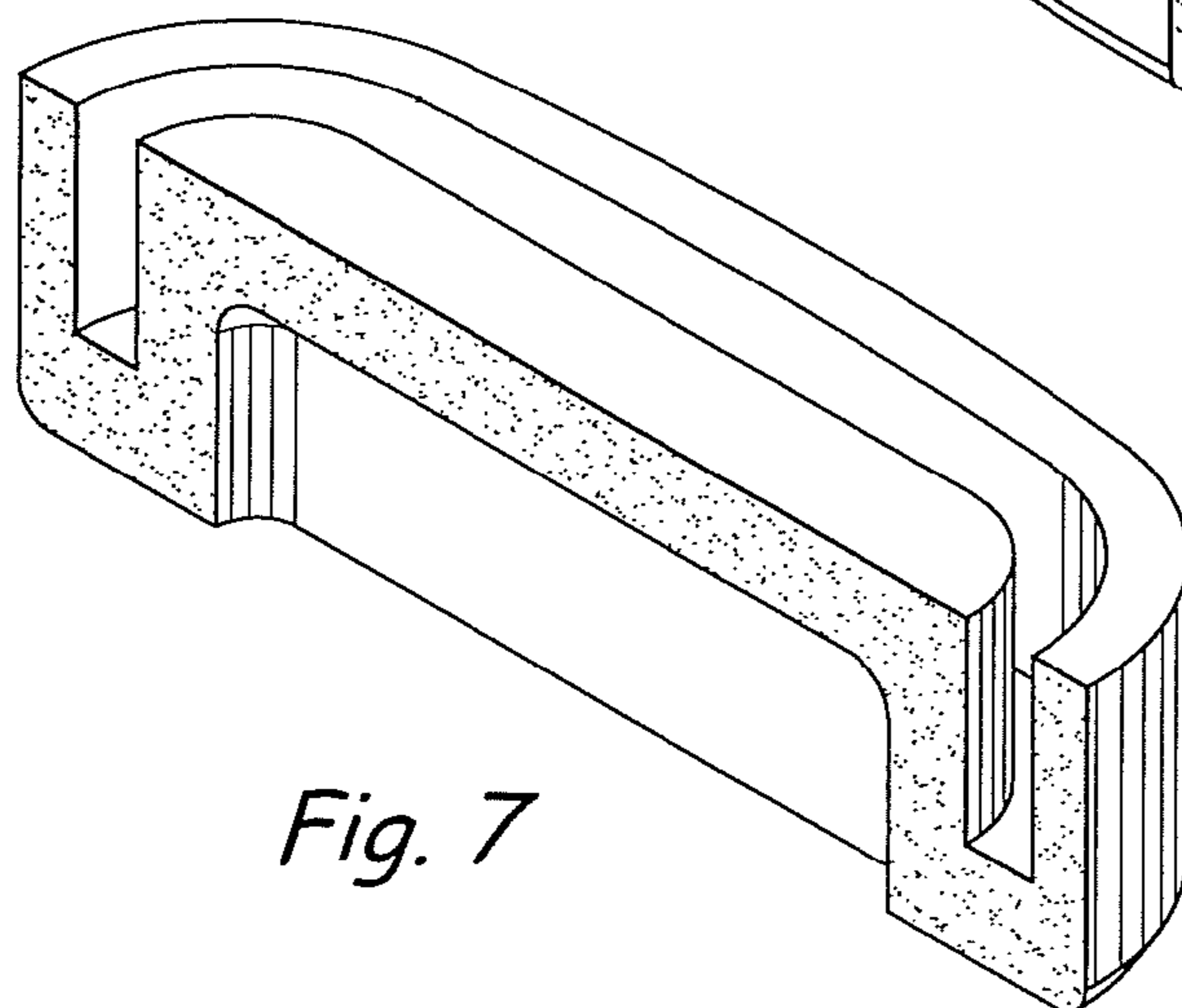


Fig. 7