



US00D639898S

(12) **United States Design Patent**
Yasuoka et al.

(10) **Patent No.:** **US D639,898 S**

(45) **Date of Patent:** **** Jun. 14, 2011**

(54) **IONIZER**

(75) Inventors: **Takashi Yasuoka**, Tsukubamirai (JP);
Takayuki Toshida, Tsukubamirai (JP);
Yuka Shiohama, Tsukubamirai (JP);
Akira Tadano, Tsukubamirai (JP)

(73) Assignee: **SMC Corporation**, Chiyoda-ku, Tokyo
(JP)

(**) Term: **14 Years**

(21) Appl. No.: **29/376,433**

(22) Filed: **Oct. 6, 2010**

(30) **Foreign Application Priority Data**

Jun. 30, 2010 (JP) 2010-015964

(51) **LOC (9) Cl.** **23-01**

(52) **U.S. Cl.** **D23/207; D23/213; D23/355**

(58) **Field of Classification Search** D23/213,
D23/207, 209, 355; 96/43; 361/225-230;
422/186.03; 239/548

See application file for complete search history.

(56) **References Cited**

U.S. PATENT DOCUMENTS

3,499,143	A *	3/1970	Martin	250/324
3,697,806	A *	10/1972	Herbert, Jr.	361/230
6,653,638	B2 *	11/2003	Fujii	250/423 R
D490,497	S *	5/2004	Okazaki et al.	D23/209
D490,876	S *	6/2004	Okazaki et al.	D23/209
D550,340	S *	9/2007	Sato et al.	D23/355
D572,354	S *	7/2008	Tsuchiya et al.	D23/355
7,497,898	B2 *	3/2009	Sato et al.	96/43
7,697,258	B2 *	4/2010	Vernitskiy et al.	361/230

* cited by examiner

Primary Examiner — Robin Webster

(74) *Attorney, Agent, or Firm* — Yokoi & Co., U.S.A., Inc.;
Toshiyuki Yokoi

(57) **CLAIM**

The ornamental design for an ionizer, as shown and described.

DESCRIPTION

FIG. 1 shows a front view of an ionizer showing my new design;

FIG. 2 shows a rear view thereof;

FIG. 3 shows a right side view thereof;

FIG. 4 shows a left side view thereof;

FIG. 5 shows a top view thereof;

FIG. 6 shows a bottom view thereof;

FIG. 7 shows an enlarged front view thereof;

FIG. 8 shows an enlarged rear view thereof;

FIG. 9 shows an enlarged right side view thereof;

FIG. 10 shows an enlarged left side view thereof;

FIG. 11 shows an enlarged top view thereof;

FIG. 12 shows an enlarged bottom view thereof;

FIG. 13 shows a top, front and left side perspective view thereof;

FIG. 14 shows a bottom, rear and right side perspective view thereof;

FIG. 15 shows a top, front and left side enlarged perspective view thereof; and,

FIG. 16 shows a bottom, rear and right side enlarged perspective view thereof.

The portions of the design shown in broken lines in FIGS. 1, 7, 13 and 15 are for the purpose of illustrating the environment only and form no part of the claimed design.

The claimed design is shown fragmented in enlarged FIGS. 7, 8, 11, 12, 15, and 16 for ease of illustration.

1 Claim, 10 Drawing Sheets

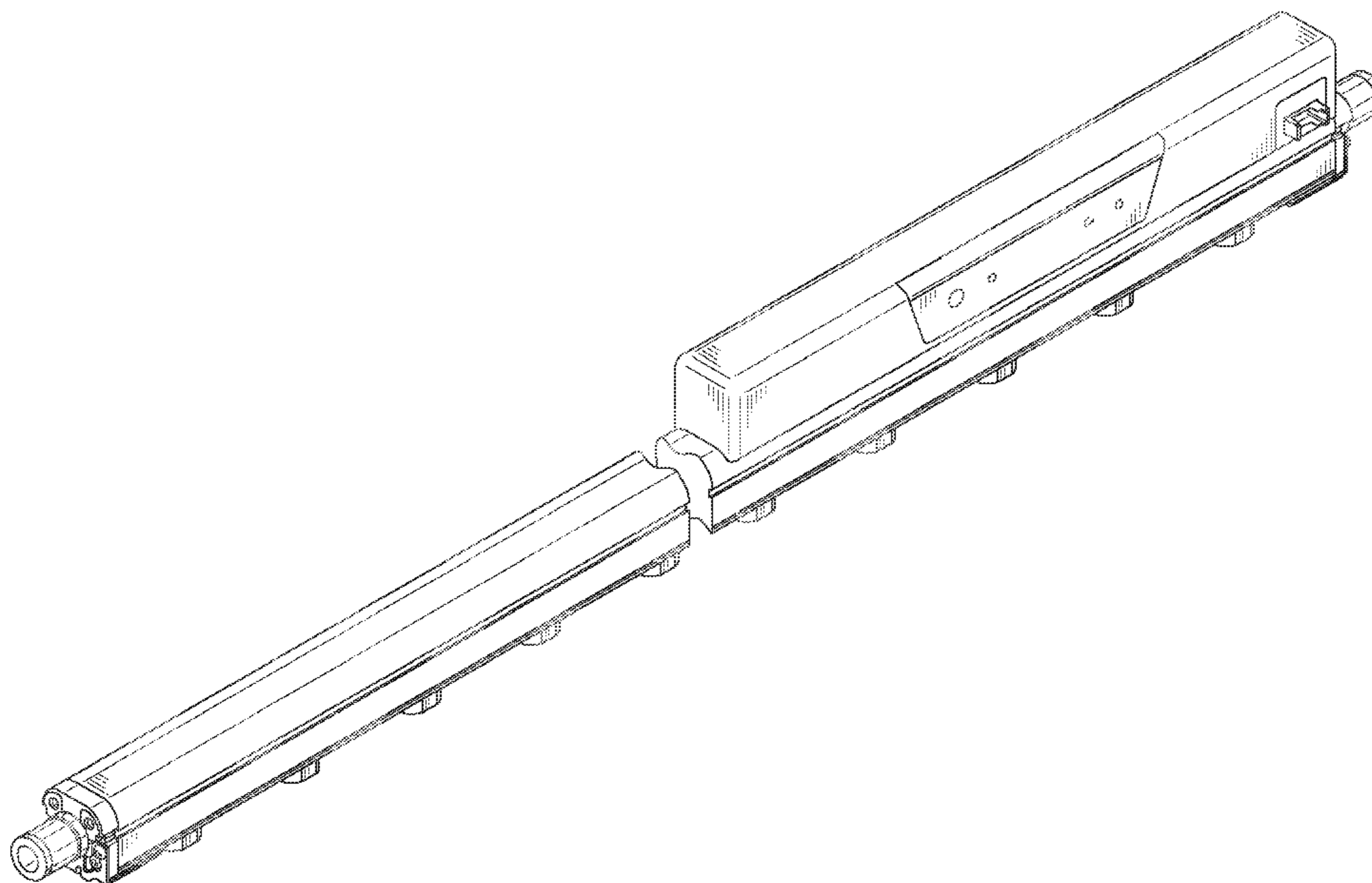


FIG. 1



FIG. 2



FIG. 3



FIG. 4



FIG. 5

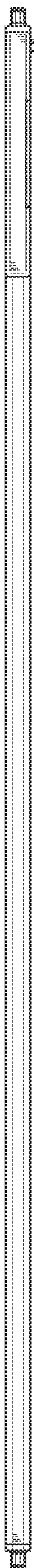


FIG. 6



FIG. 7

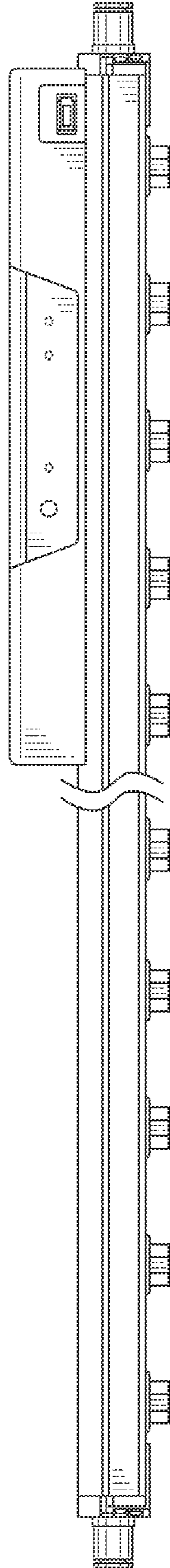


FIG. 8

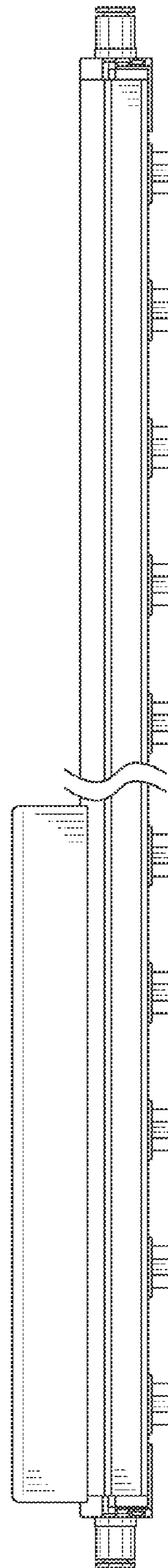


FIG. 9

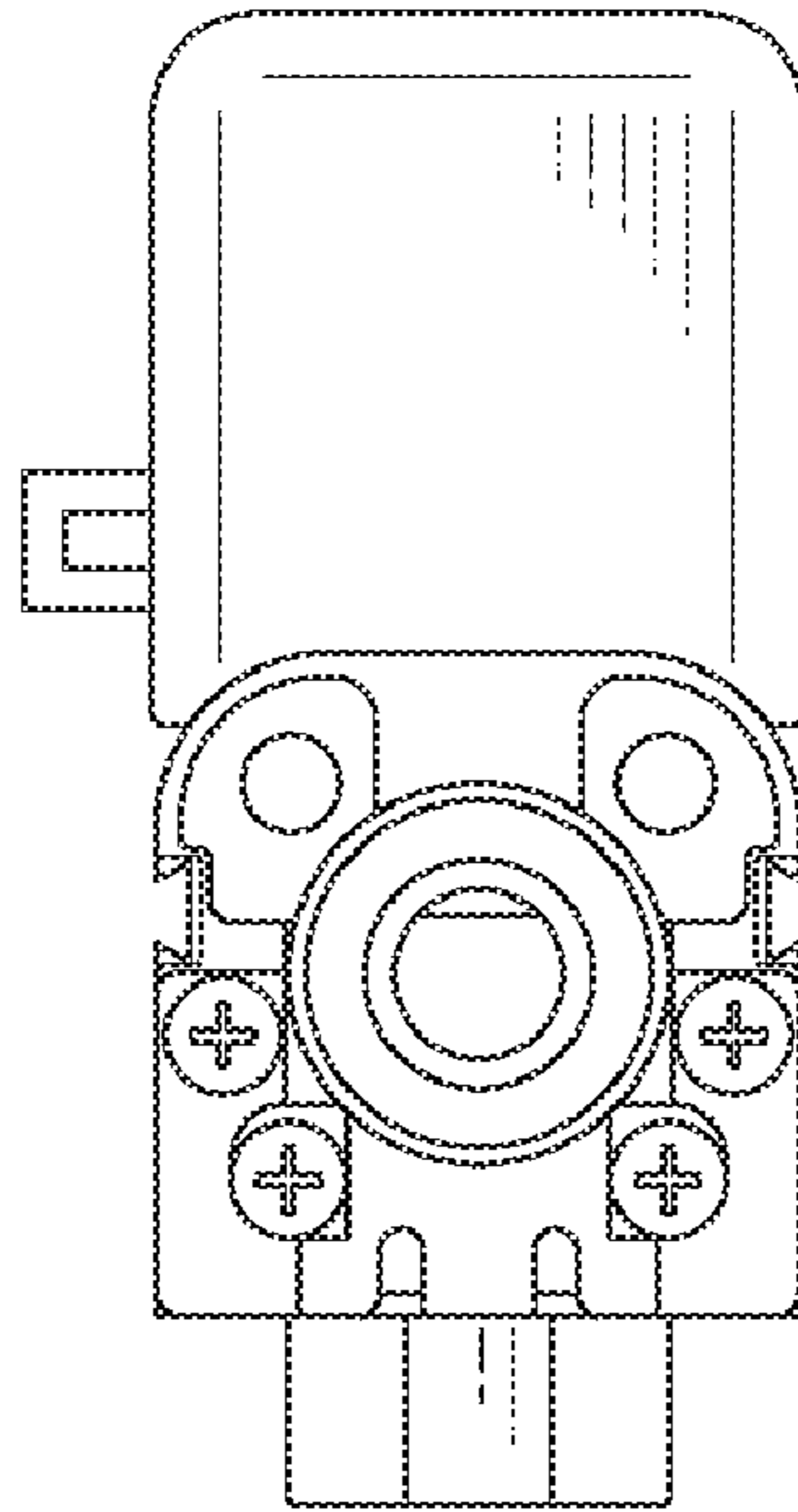


FIG. 10

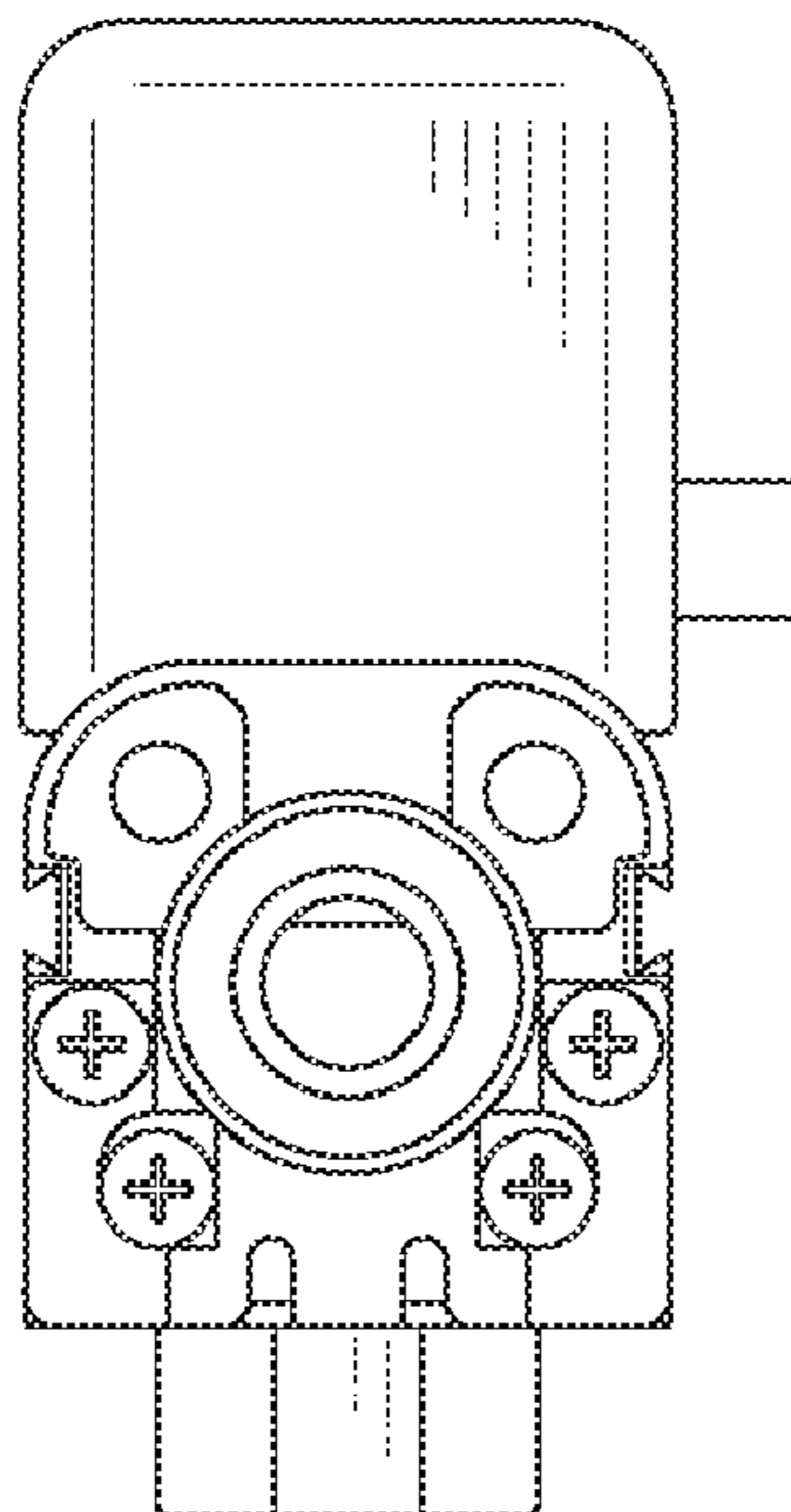


FIG. 11

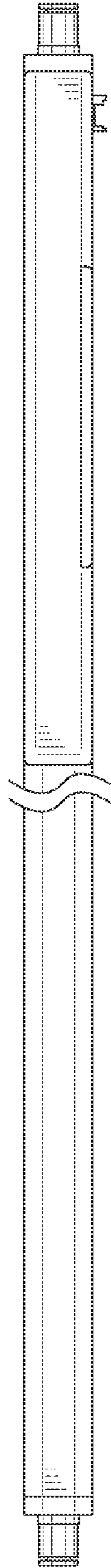
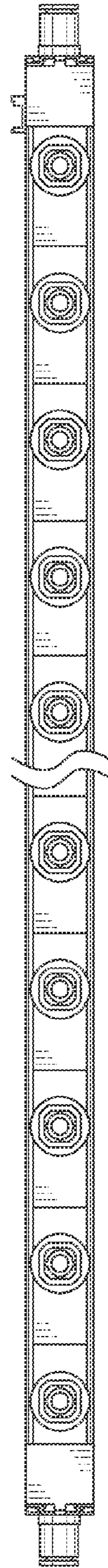


FIG. 12



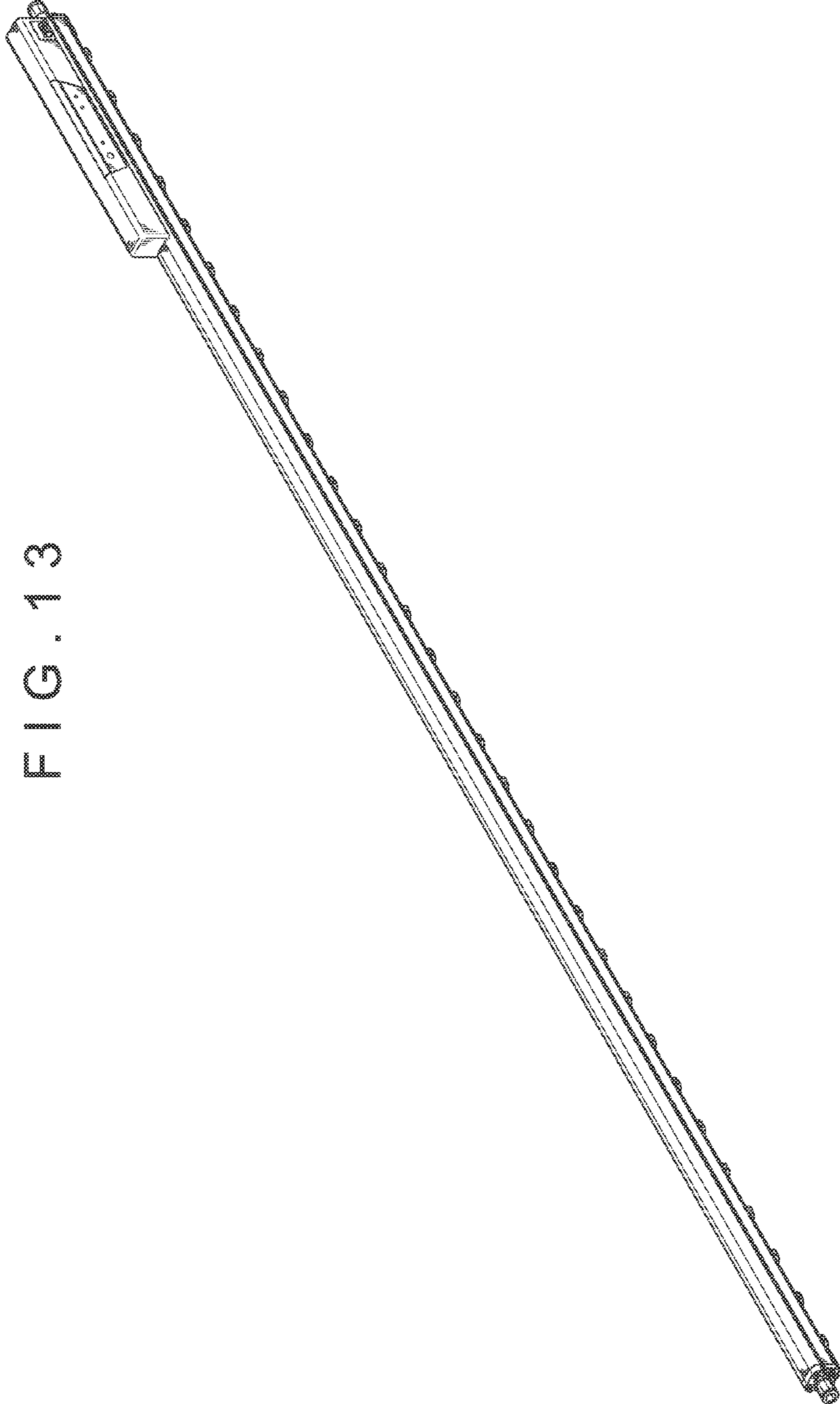
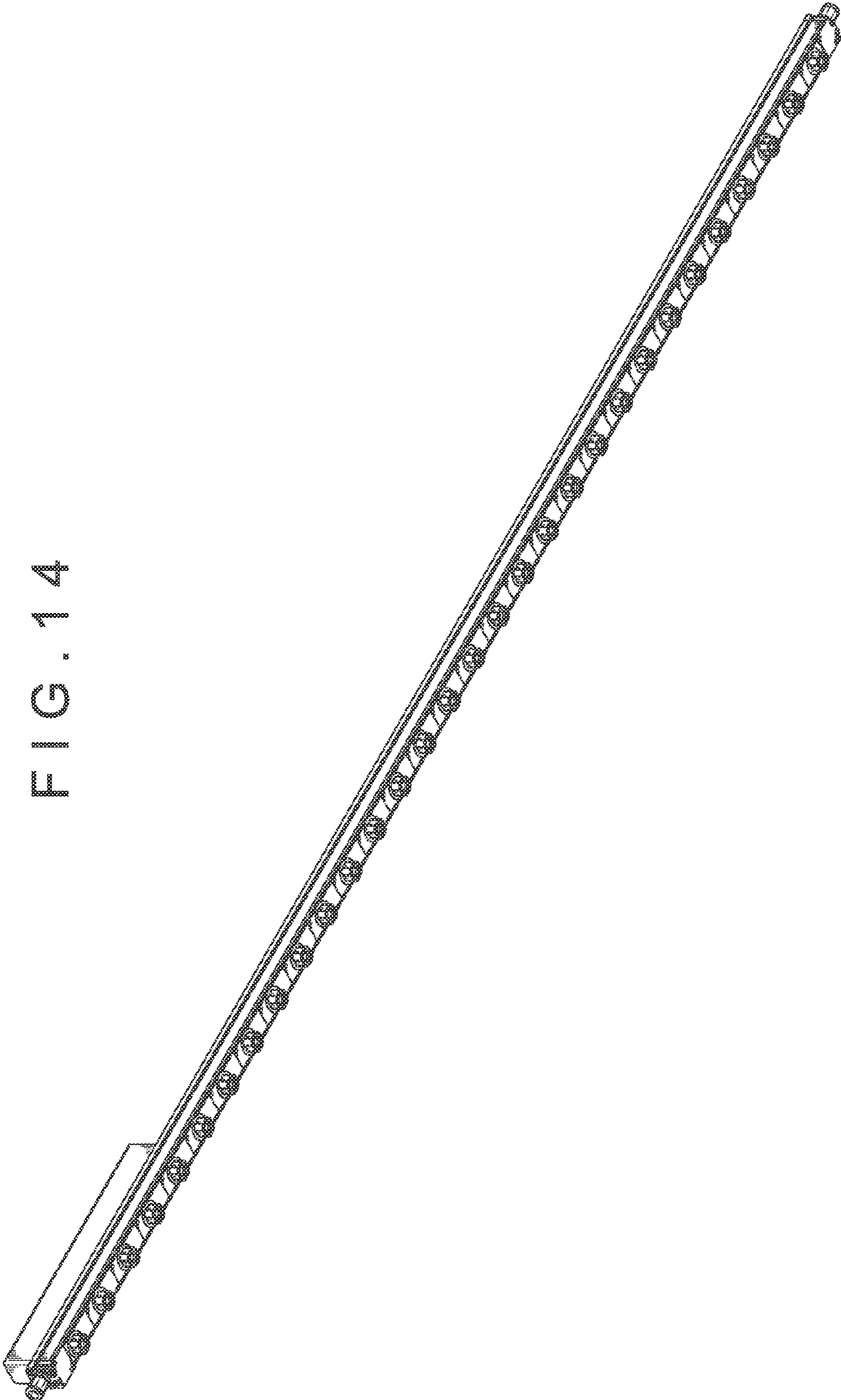


FIG. 13

FIG. 14



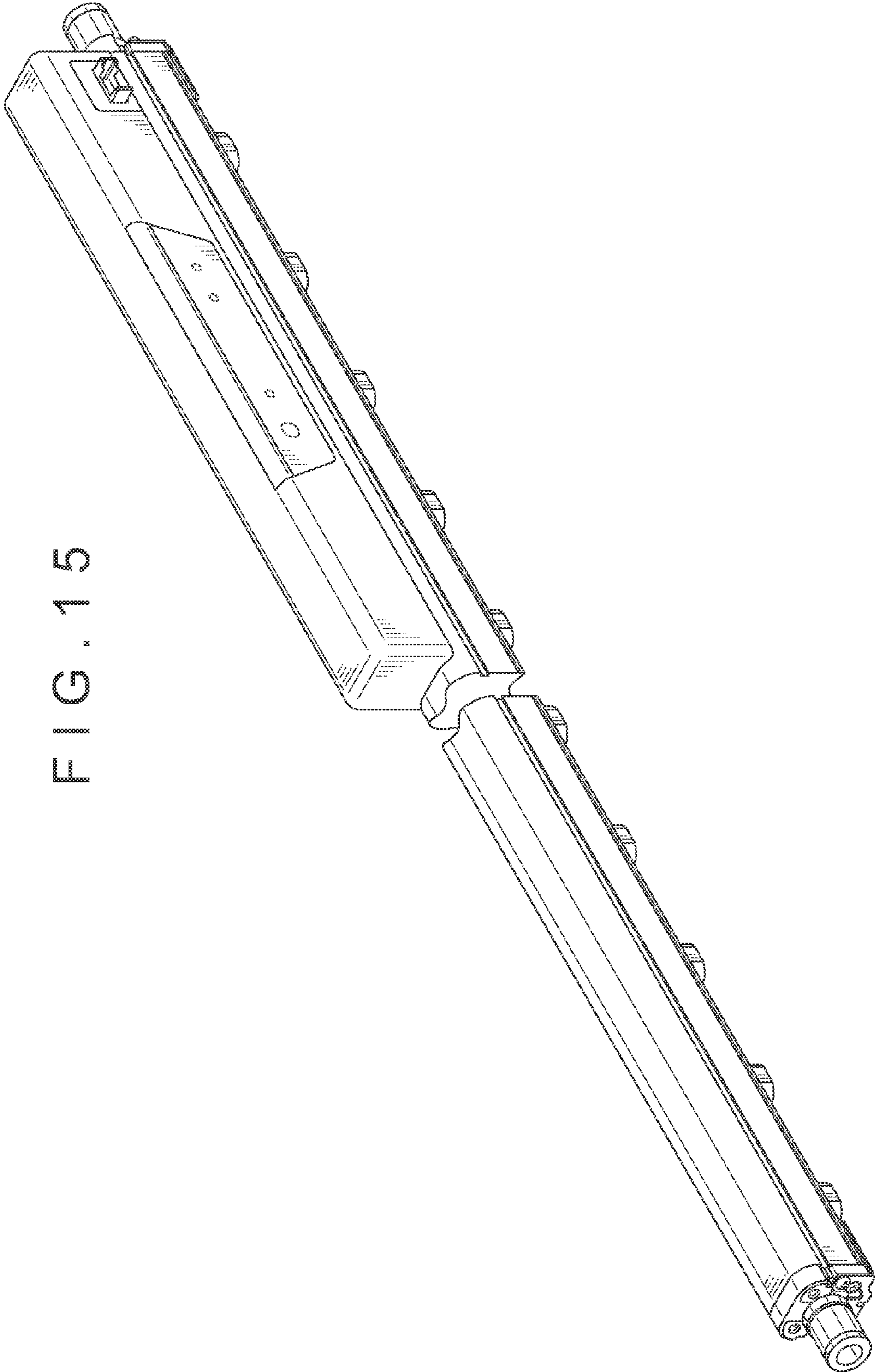


FIG. 15

FIG. 16

