



US00D639897S

(12) **United States Design Patent**
Omura

(10) **Patent No.:** **US D639,897 S**
(45) **Date of Patent:** **** Jun. 14, 2011**

(54) **LINE GUIDE FOR FISHING ROD**
(75) Inventor: **Kazuhito Omura**, Shizuoka (JP)
(73) Assignee: **Fuji Kogyo Co., Ltd.**, Shizuoka-Ken (JP)
(**) Term: **14 Years**
(21) Appl. No.: **29/367,551**
(22) Filed: **Aug. 10, 2010**
(51) **LOC (9) Cl.** **22-05**
(52) **U.S. Cl.** **D22/143**
(58) **Field of Classification Search** D22/143,
D22/137-142; 43/18.1, 20-24
See application file for complete search history.

6,067,743 A * 5/2000 Ohmura 43/24
D497,404 S * 10/2004 Malcarne D22/143
D503,453 S * 3/2005 Lin D22/143
D532,073 S 11/2006 Lin

* cited by examiner

Primary Examiner — Catheri Oliver

(74) *Attorney, Agent, or Firm* — Bacon & Thomas, PLLC

(57) **CLAIM**

The ornamental design for a line guide for fishing rod, as shown and described.

DESCRIPTION

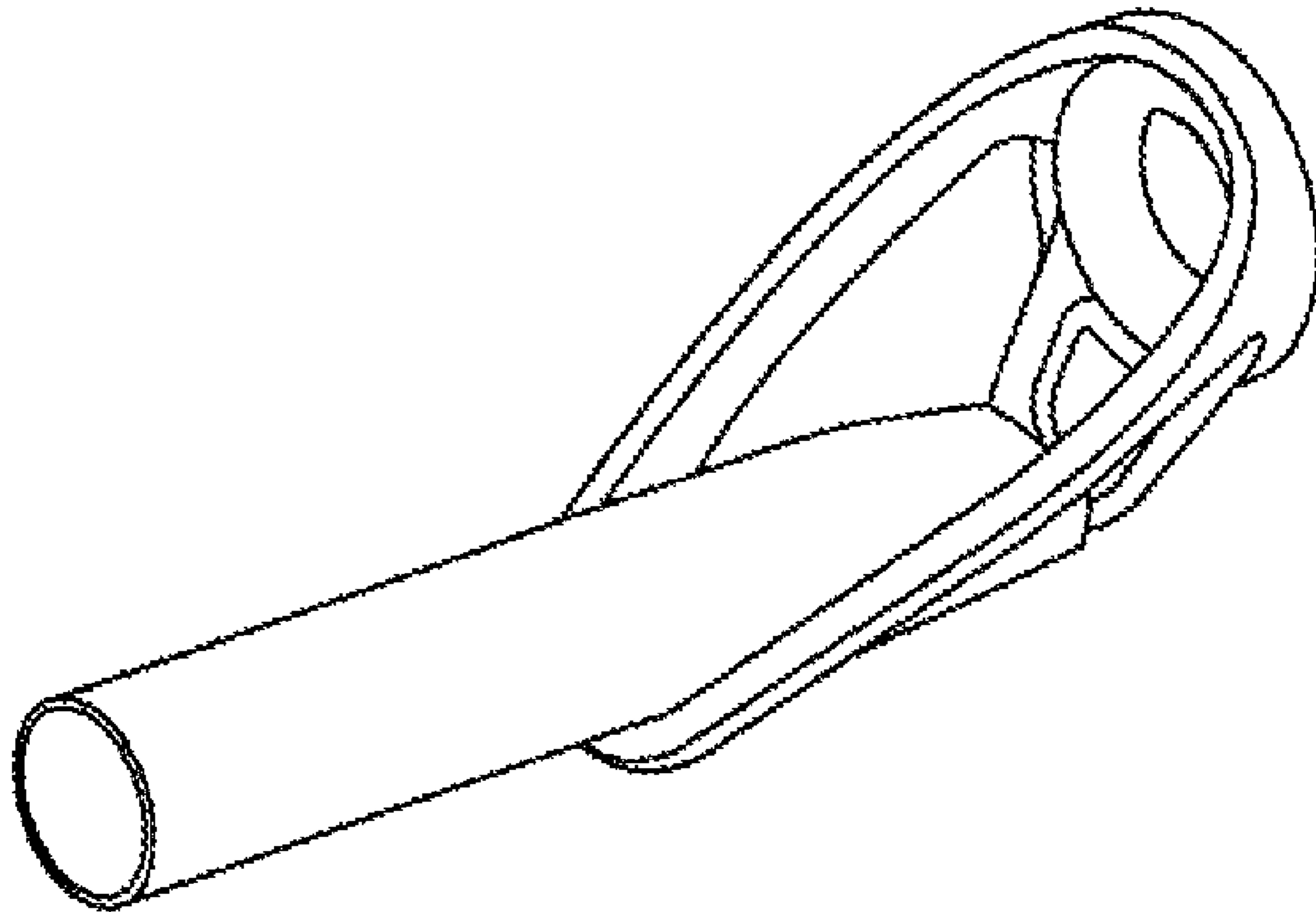
FIG. 1 is a perspective view of a line guide for fishing rod embodying my new design;
FIG. 2 is a front view of thereof;
FIG. 3 is a top plan view thereof;
FIG. 4 is a bottom view thereof;
FIG. 5 is a right side view thereof;
FIG. 6 is a left side view thereof; and,
FIG. 7 is a sectional view along A—A of FIG. 6.

1 Claim, 2 Drawing Sheets

(56) **References Cited**

U.S. PATENT DOCUMENTS

2,306,112 A * 12/1942 Touchstone 43/24
3,060,618 A * 10/1962 Grishkin 43/24
5,941,013 A * 8/1999 Ohmura 43/24
D418,575 S * 1/2000 Ohmura D22/143



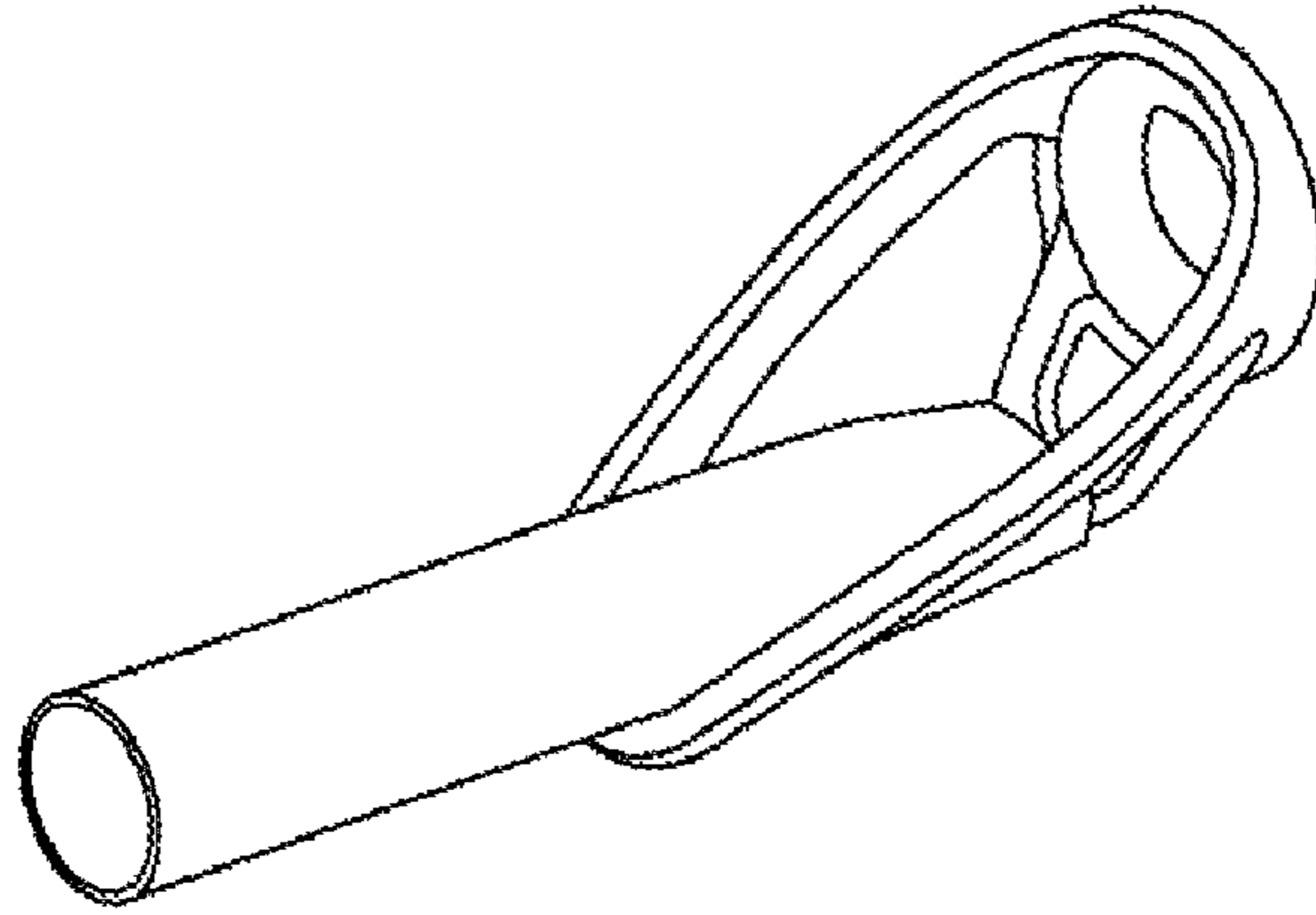


FIG. 1

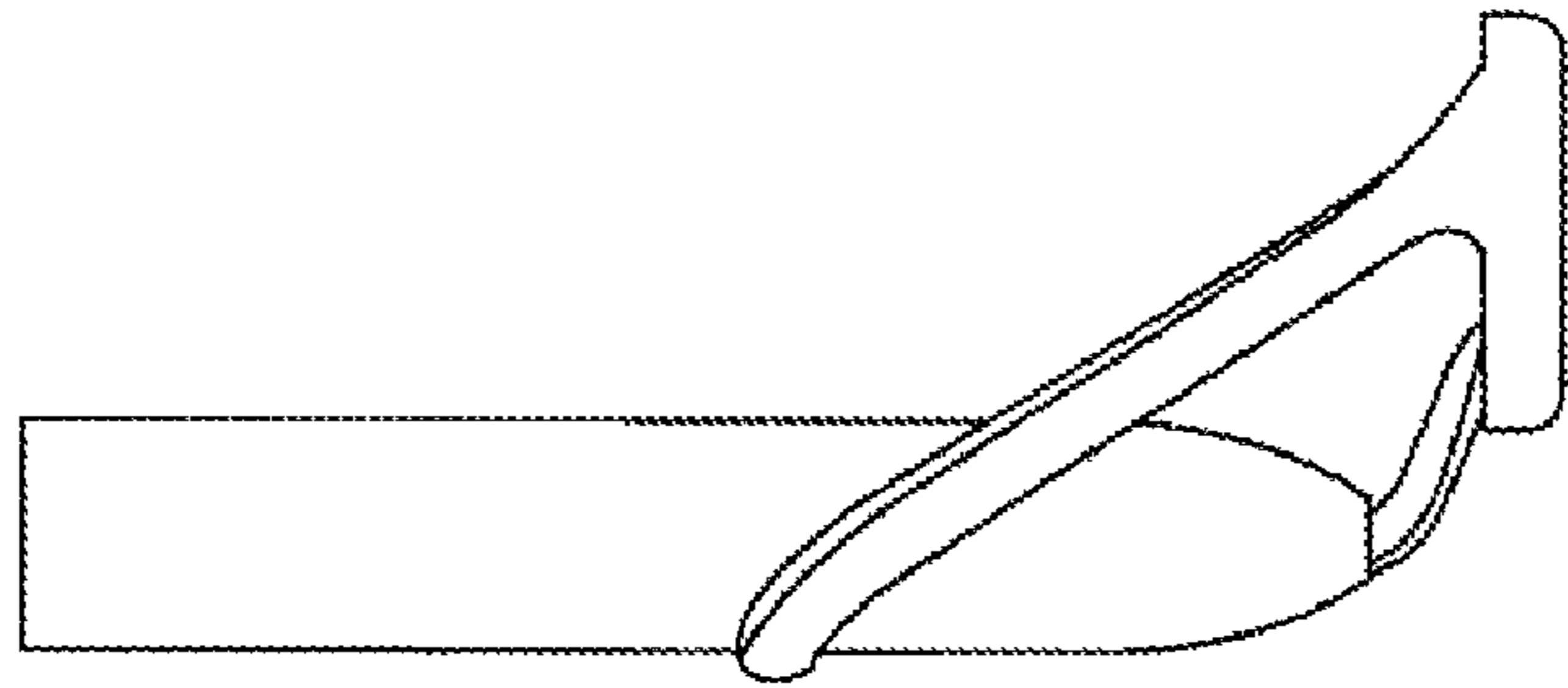


FIG. 2

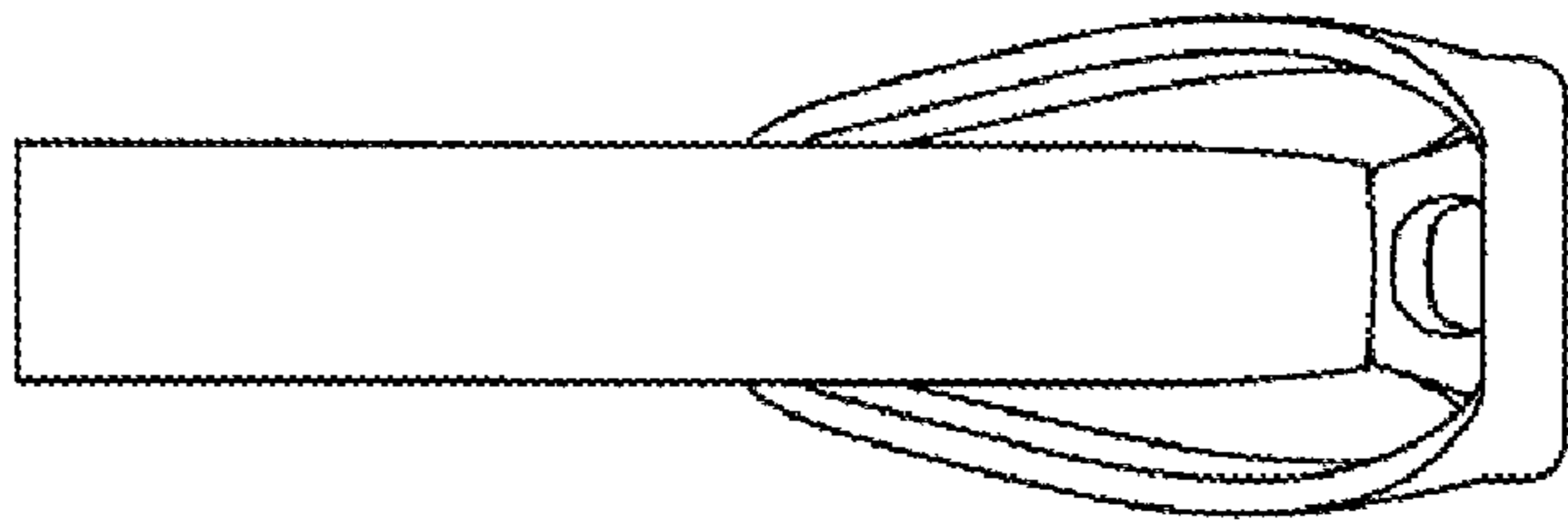


FIG. 3

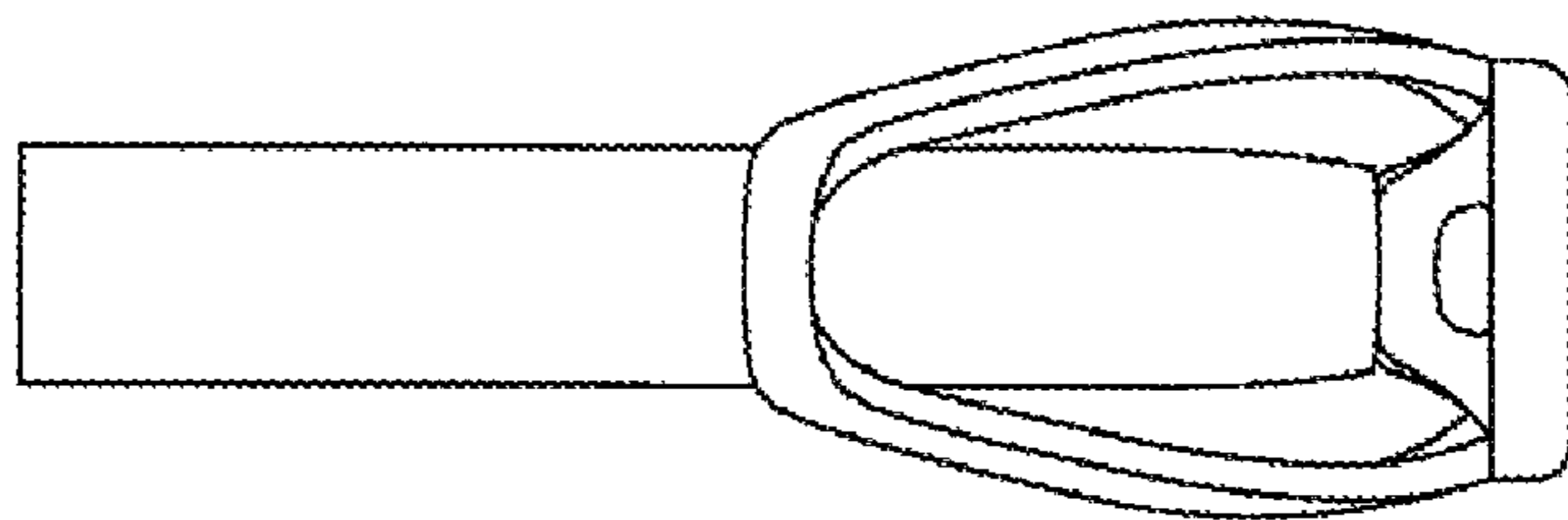


FIG. 4

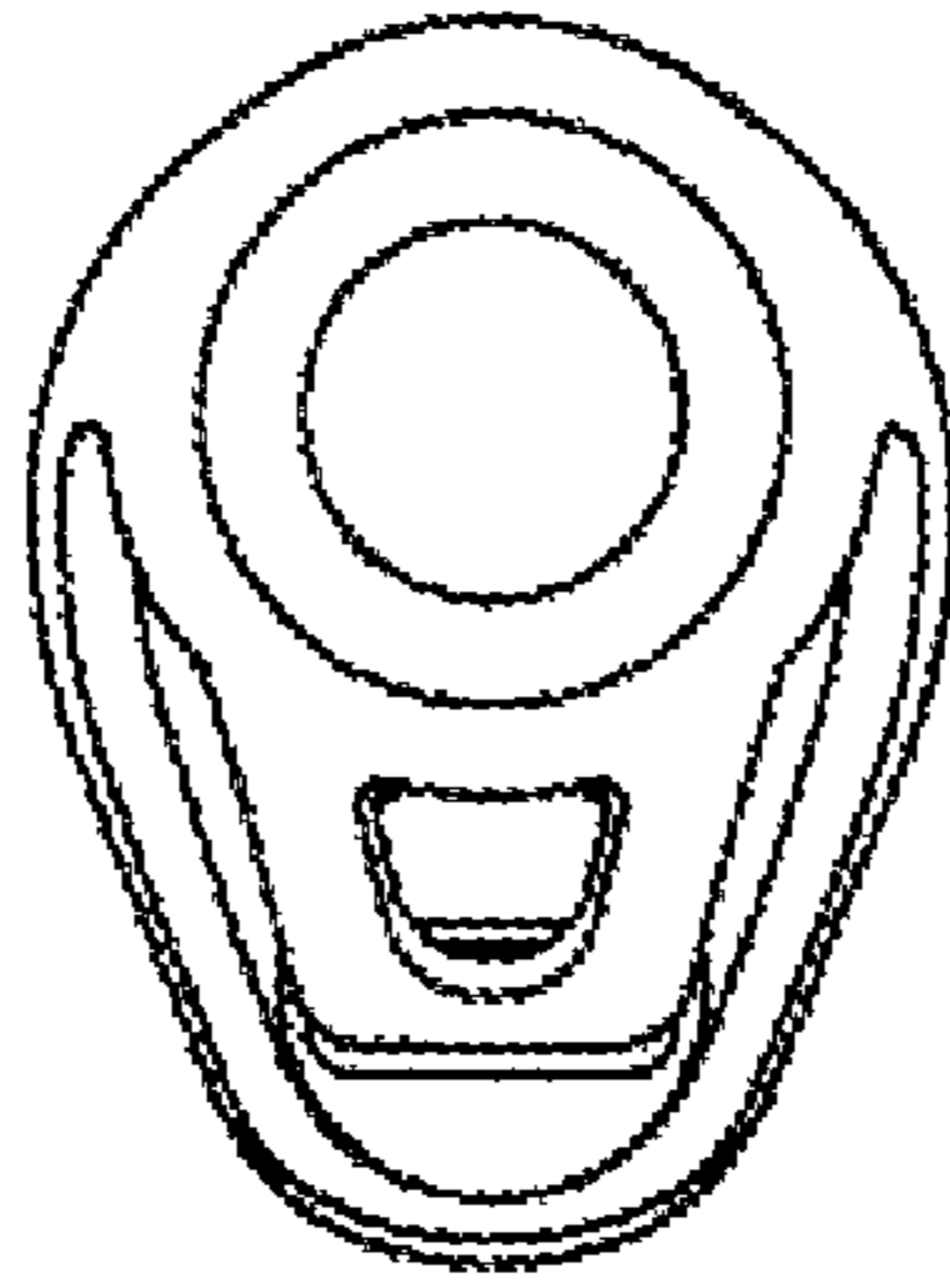


FIG. 5

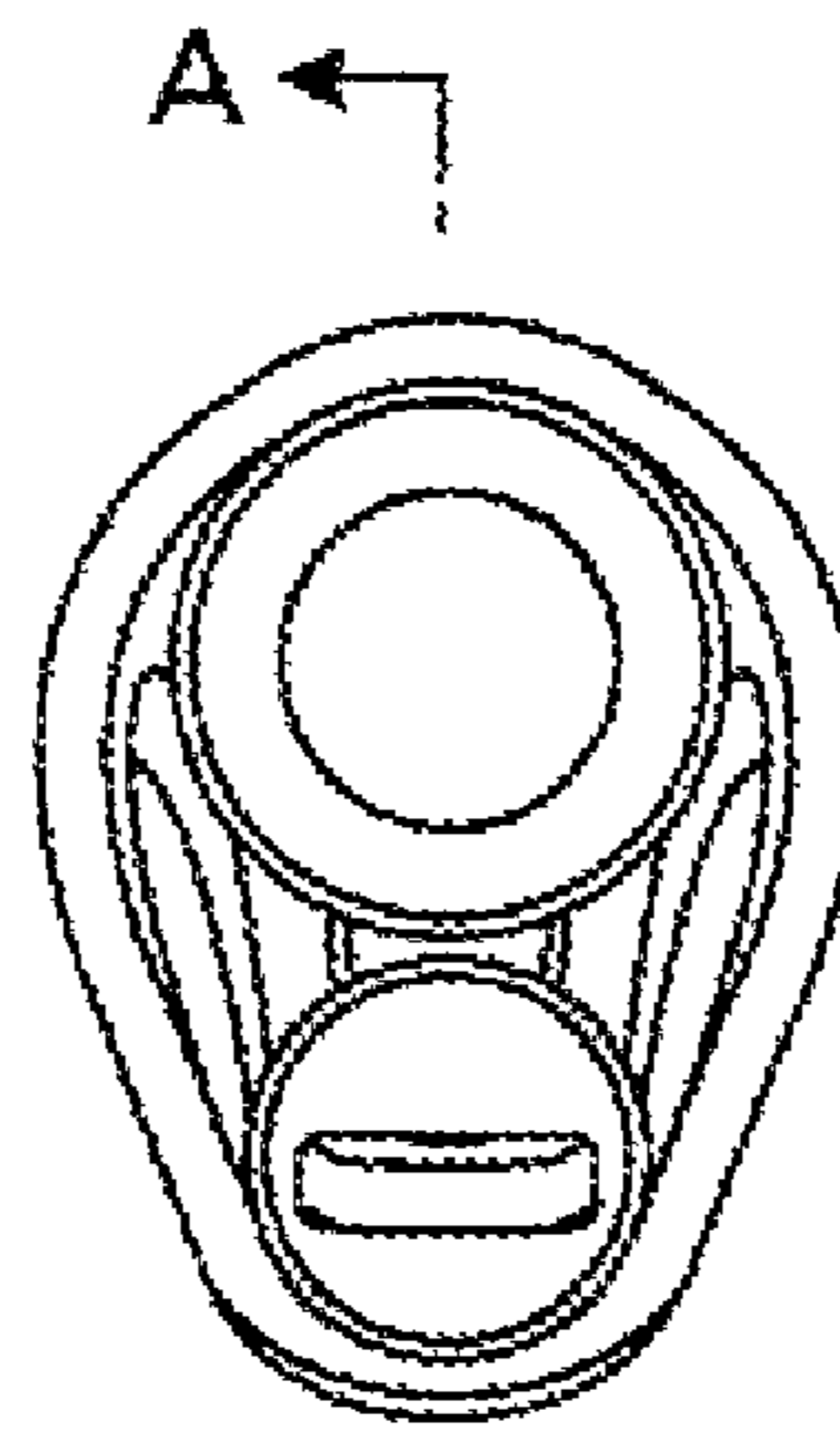


FIG. 6

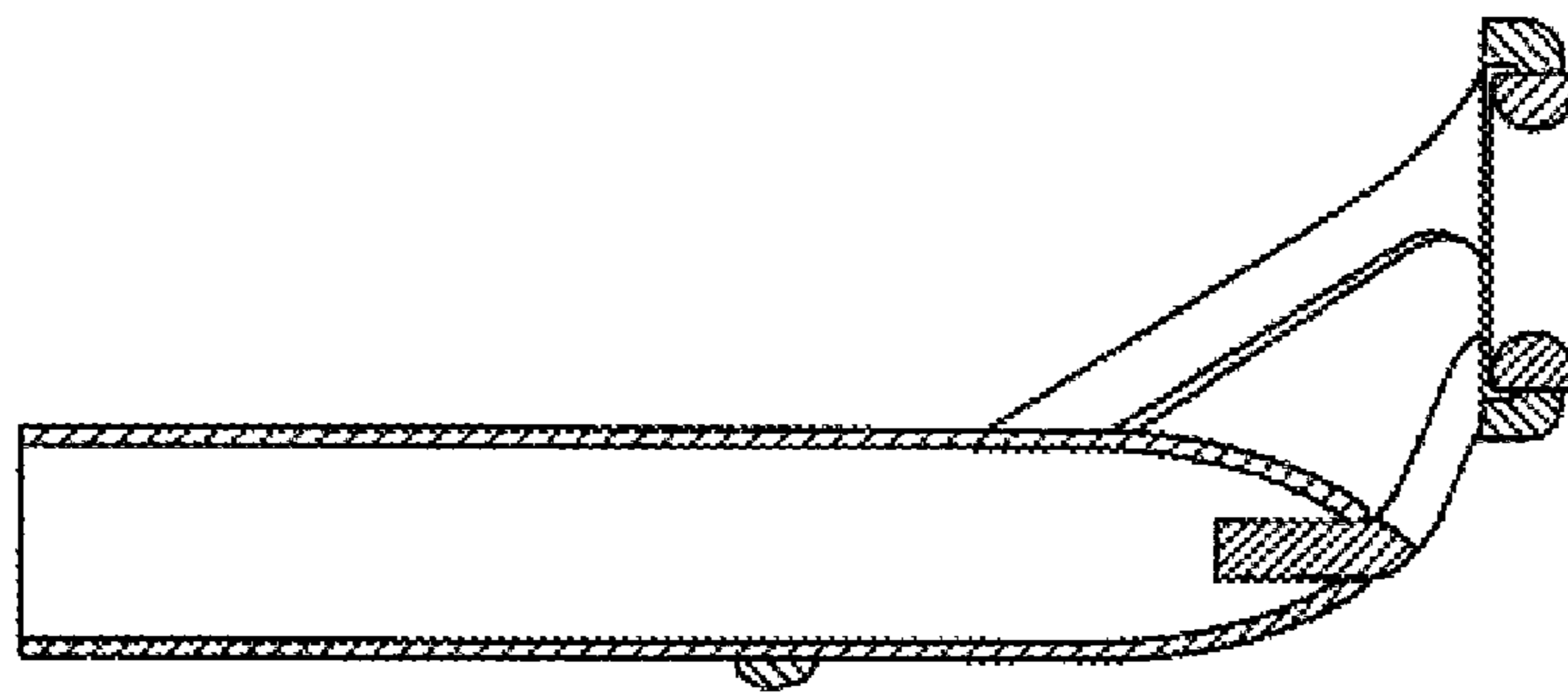


FIG. 7