



US00D639894S

(12) **United States Design Patent**  
**Feuerstein**

(10) **Patent No.:** **US D639,894 S**

(45) **Date of Patent:** **\*\* Jun. 14, 2011**

(54) **ANIMAL REPELLER**

(76) Inventor: **Debbie Feuerstein**, Riverdale, NY (US)

(\*\*) Term: **14 Years**

(21) Appl. No.: **29/367,536**

(22) Filed: **Aug. 10, 2010**

(51) **LOC (9) Cl.** ..... **22-06**

(52) **U.S. Cl.** ..... **D22/120**

(58) **Field of Classification Search** ..... D22/119–125;  
43/112–114, 98, 120–121, 131–132, 139;  
D10/46

See application file for complete search history.

(56) **References Cited**

**U.S. PATENT DOCUMENTS**

4,485,582	A	*	12/1984	Morris	.....	43/131
D349,746	S	*	8/1994	DeYoreo	.....	D22/122
D354,690	S	*	1/1995	Butler et al.	.....	D22/119
D359,790	S	*	6/1995	Blotnick	.....	D22/122
D400,635	S	*	11/1998	Kinzler et al.	.....	D22/122
D467,635	S	*	12/2002	Andrews et al.	.....	D22/122

\* cited by examiner

*Primary Examiner* — Catheri Oliver

(74) *Attorney, Agent, or Firm* — Law Offices of Edward Langer; Edward Langer, Adv.

(57) **CLAIM**

The ornamental design for an animal repeller, as shown and described.

**DESCRIPTION**

FIG. 1 is a front view of an animal repeller showing our new design;

FIG. 2 is an enlarged front view of FIG. 1—pedestal removed;

FIG. 3 is a rear view of the design of FIG. 1;

FIG. 4 is an enlarged rear view of the design of FIG. 1—pedestal removed;

FIG. 5 is a right side view of the design of FIG. 1;

FIG. 6 is an enlarged right side view of the design of FIG. 1—pedestal removed;

FIG. 7 is a left side view of the design of FIG. 1;

FIG. 8 is an enlarged left side view of the design of FIG. 1—pedestal removed;

FIG. 9 is an enlarged top view of the design of FIG. 1;

FIG. 10 is an enlarged bottom view of the design of FIG. 1;

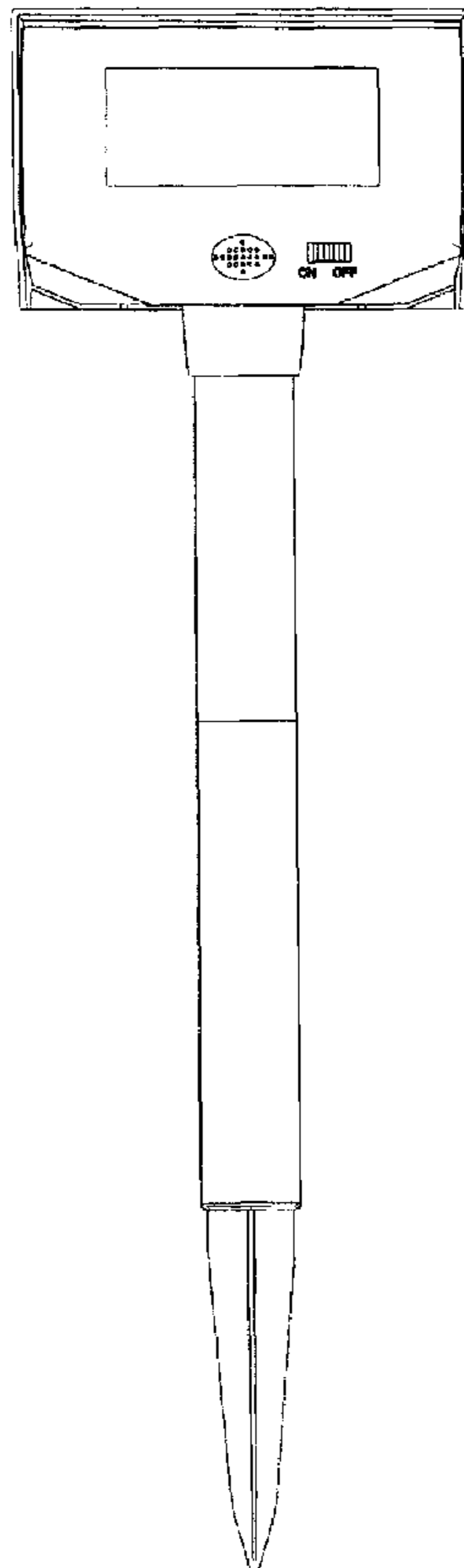
FIG. 11 is a right side perspective view of the design of FIG. 1;

FIG. 12 is an enlarged right side perspective view of the design of FIG. 1—pedestal removed;

FIG. 13 is a left side perspective view of the design of FIG. 1; and,

FIG. 14 is an enlarged left side perspective view of the design of FIG. 1—pedestal removed.

**1 Claim, 14 Drawing Sheets**



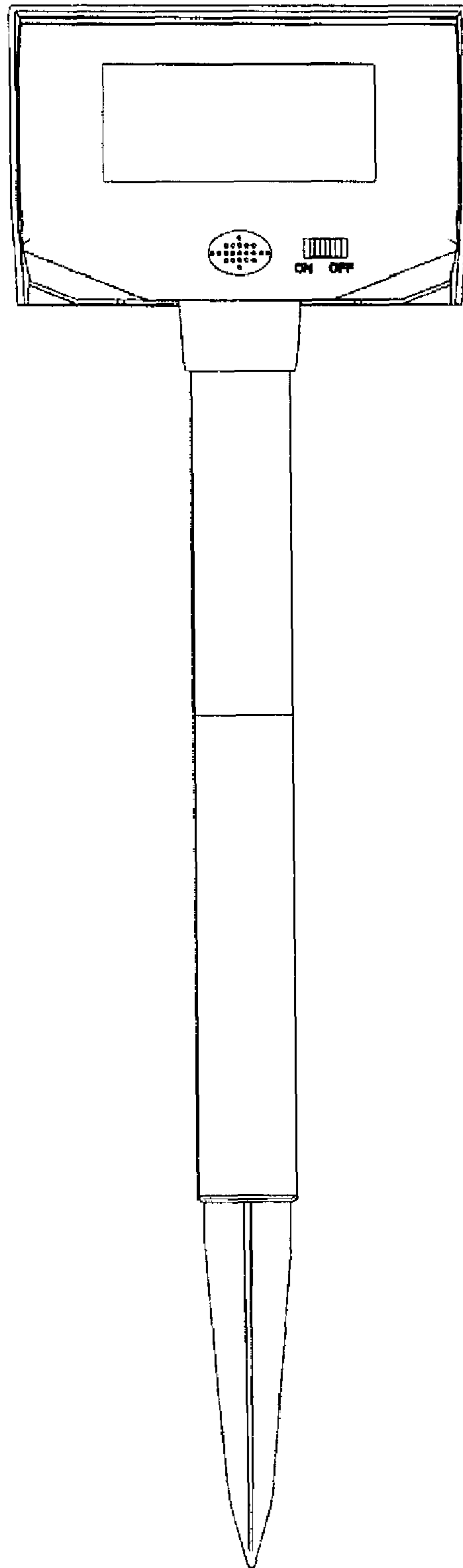


FIG. 1

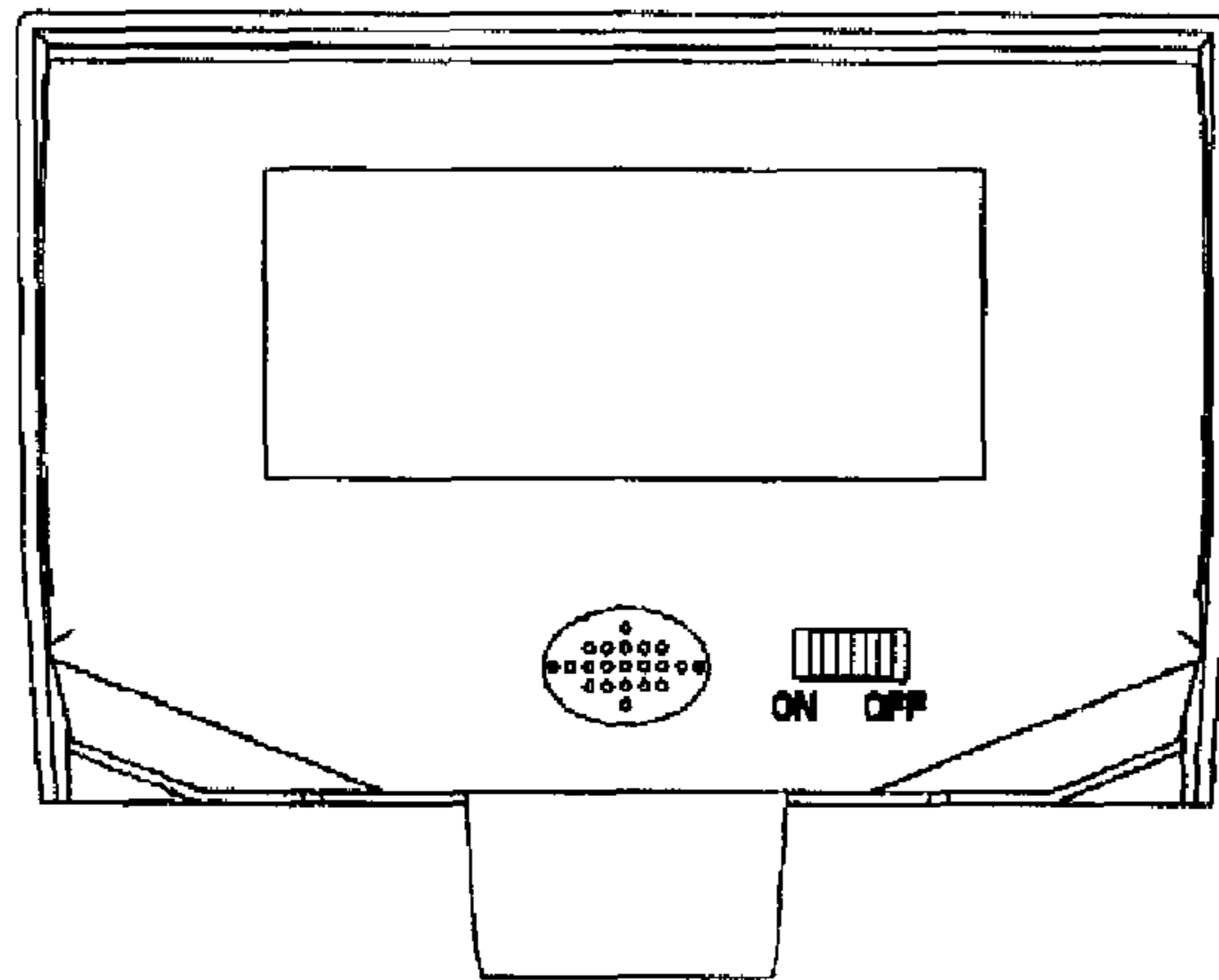


FIG. 2

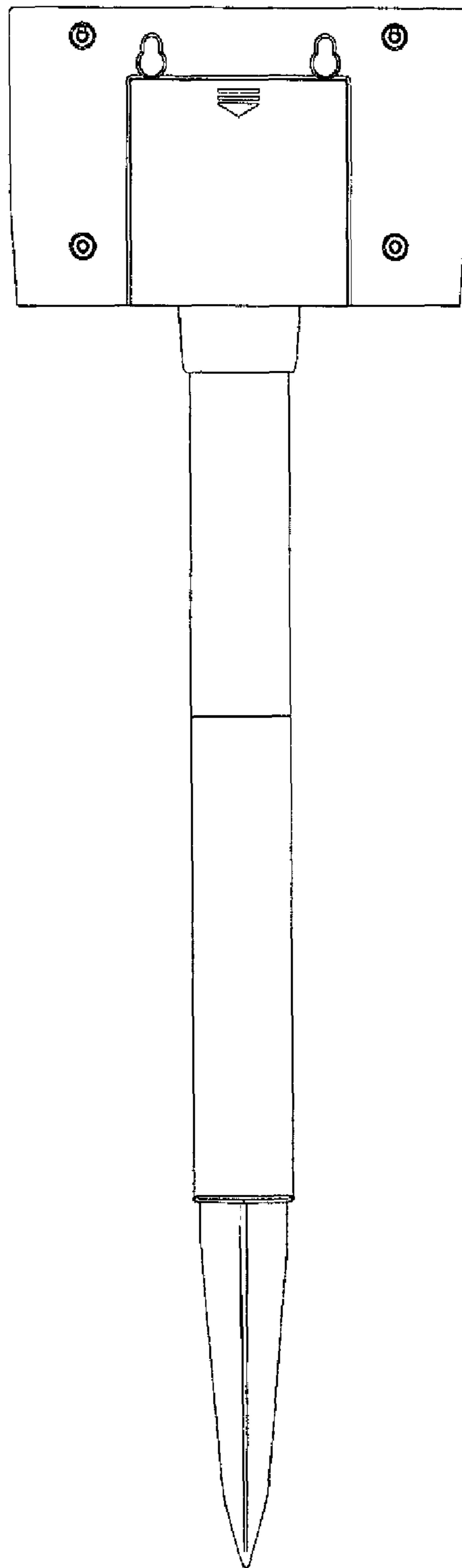


FIG. 3

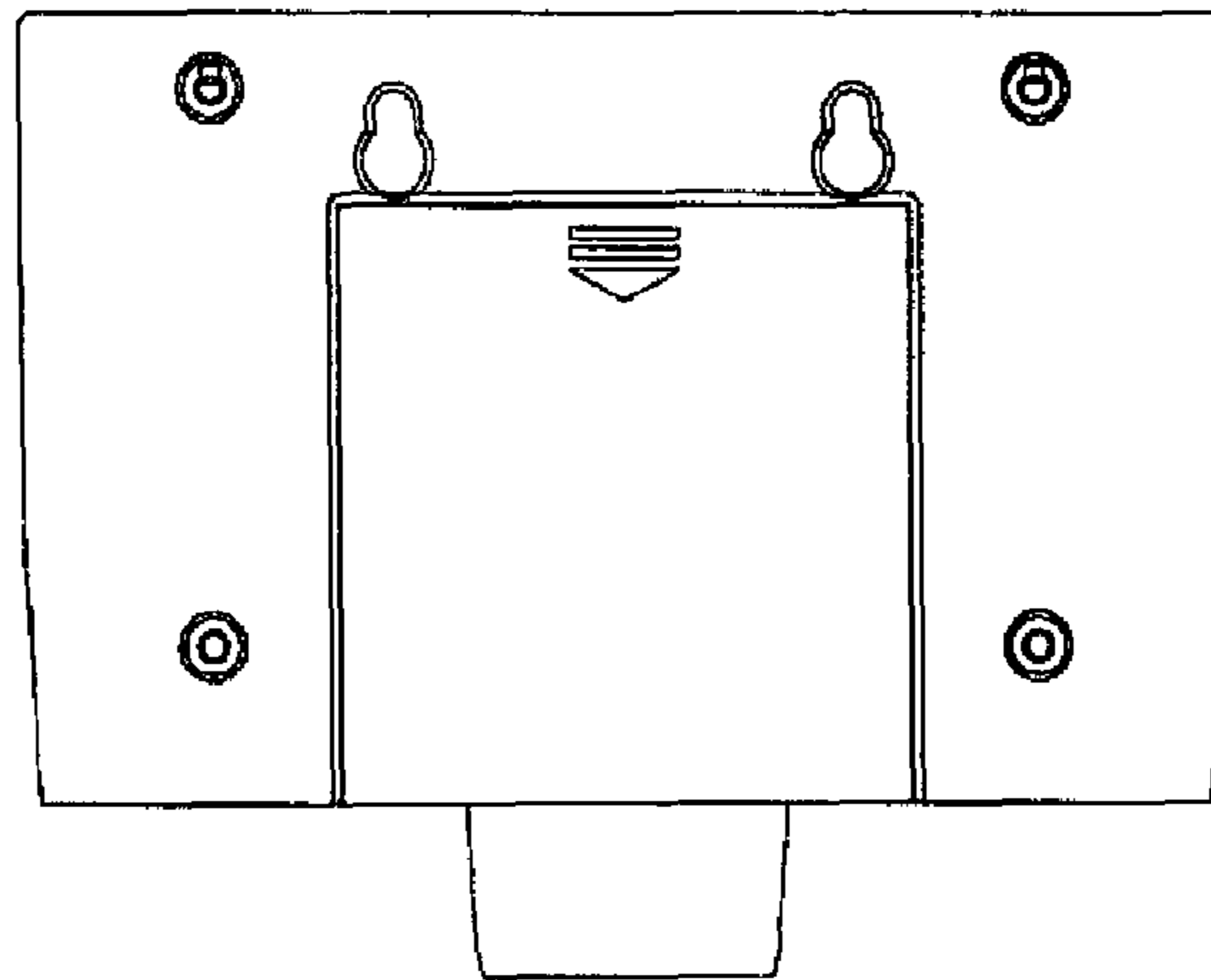


FIG. 4

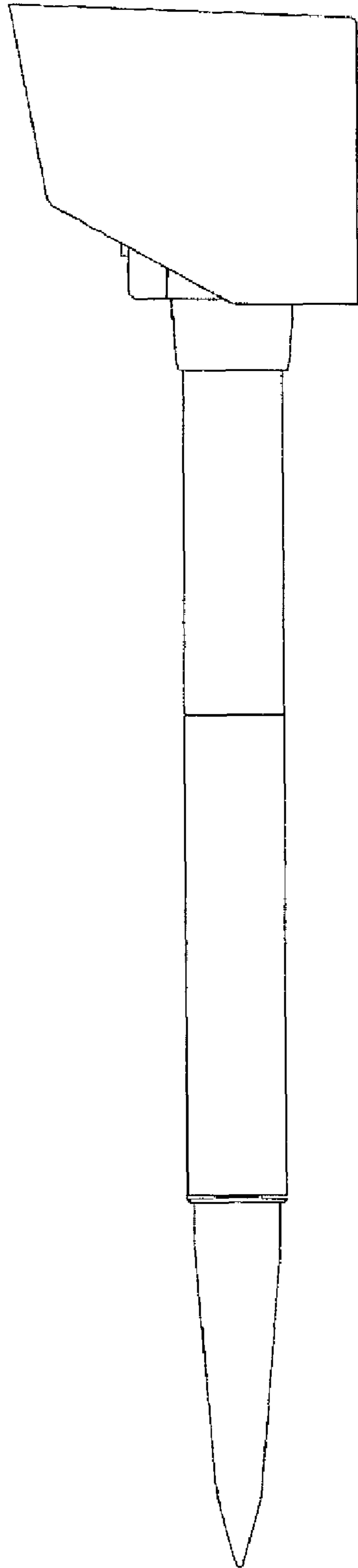


FIG. 5

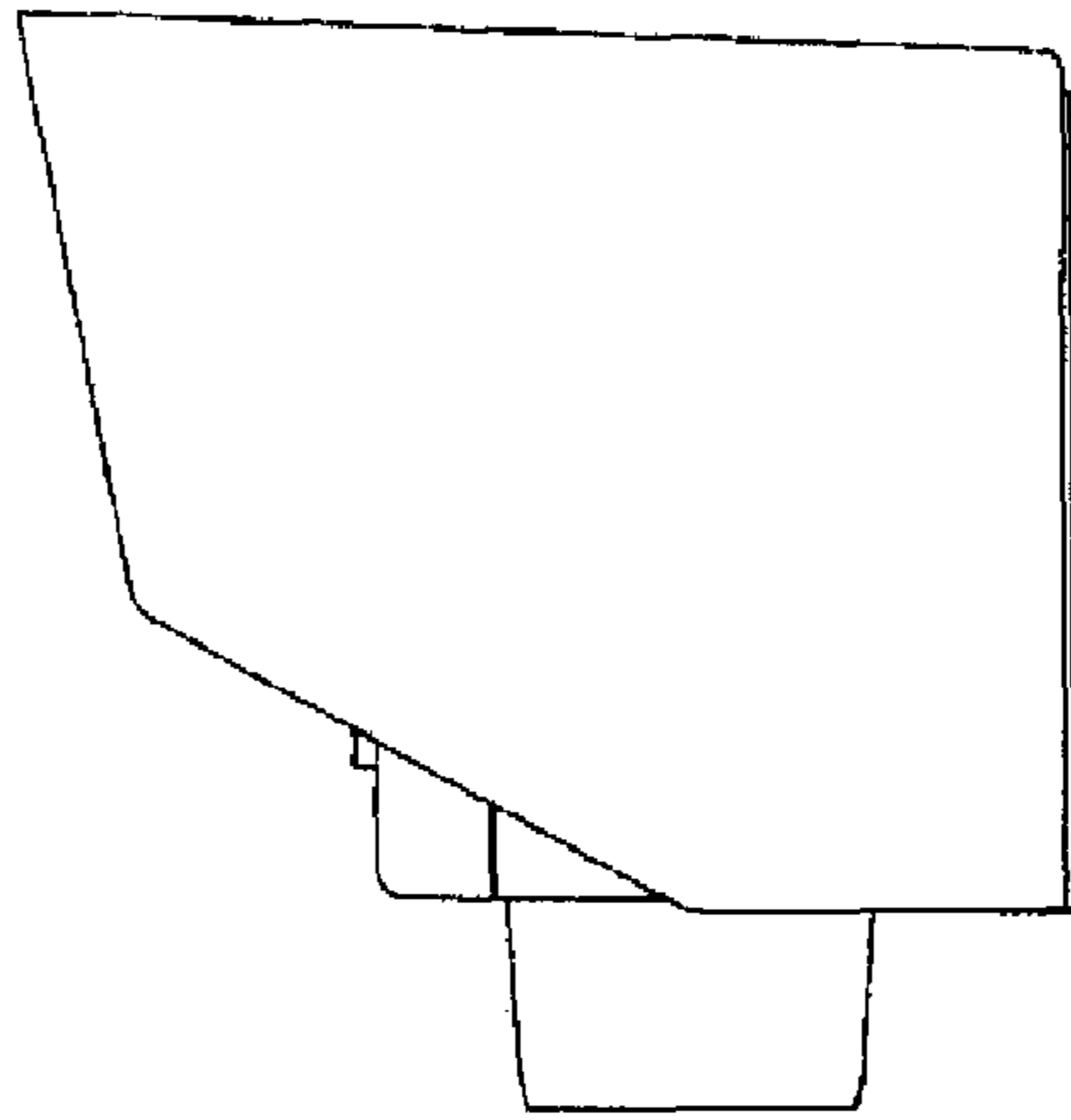


FIG. 6

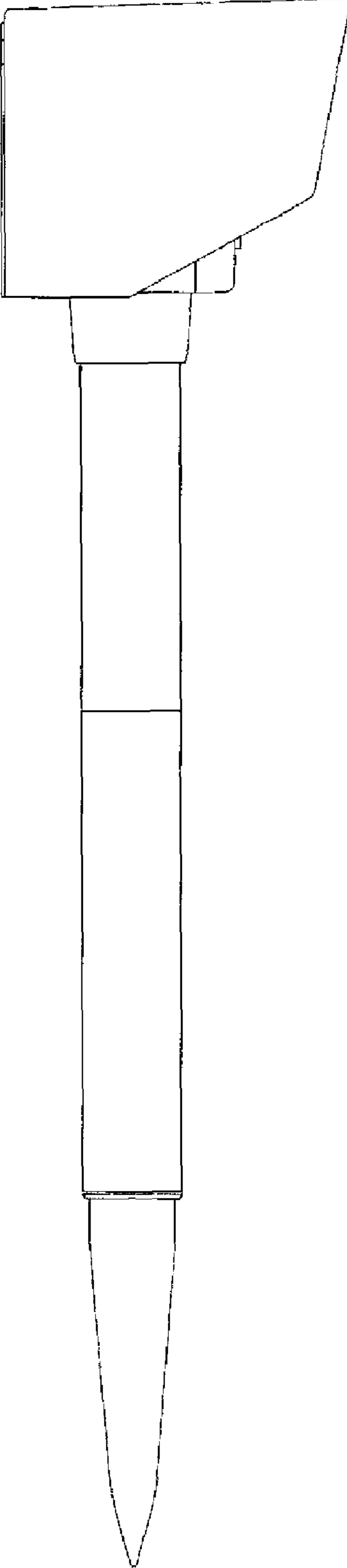


FIG. 7



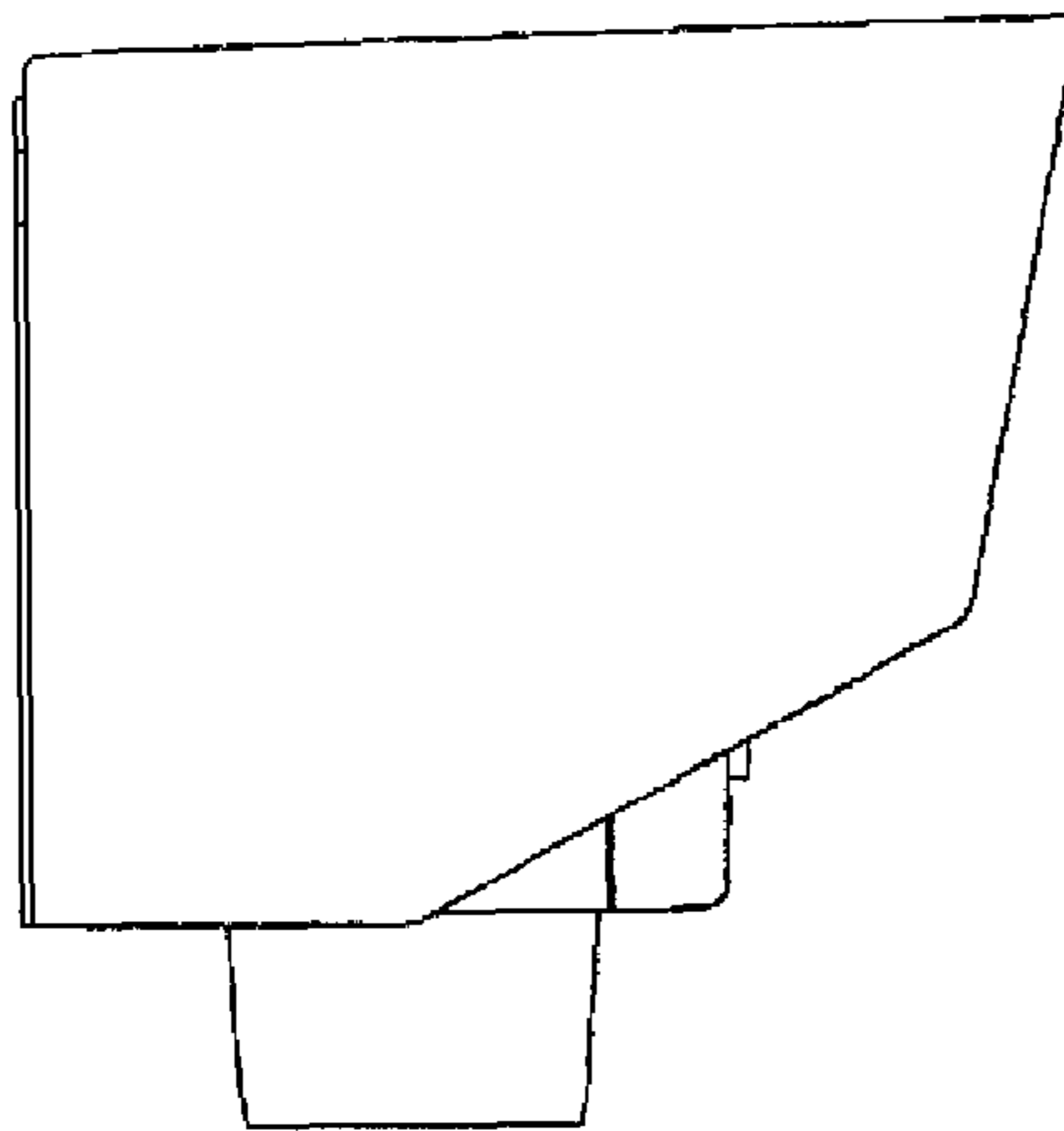


FIG. 8

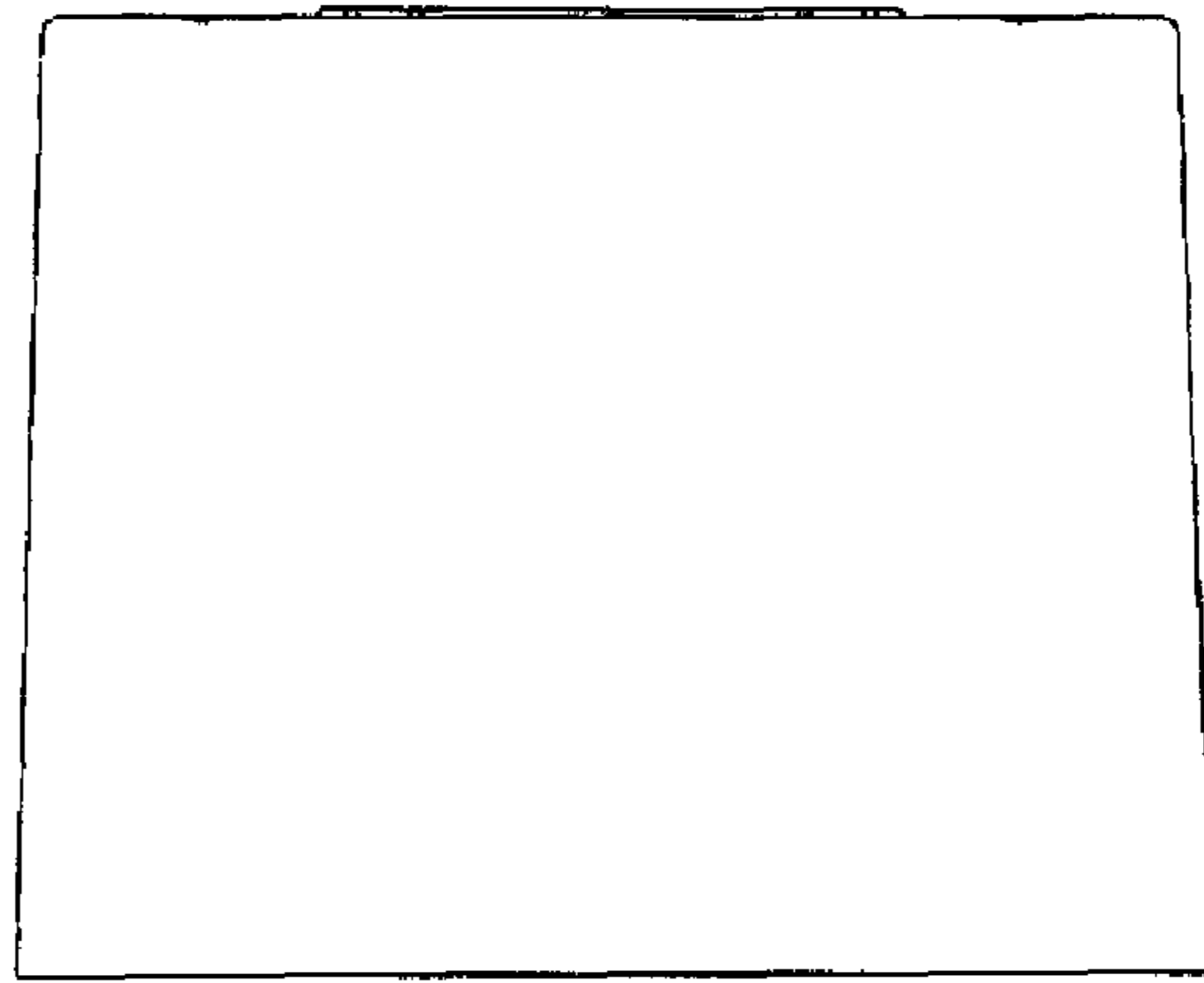


FIG. 9

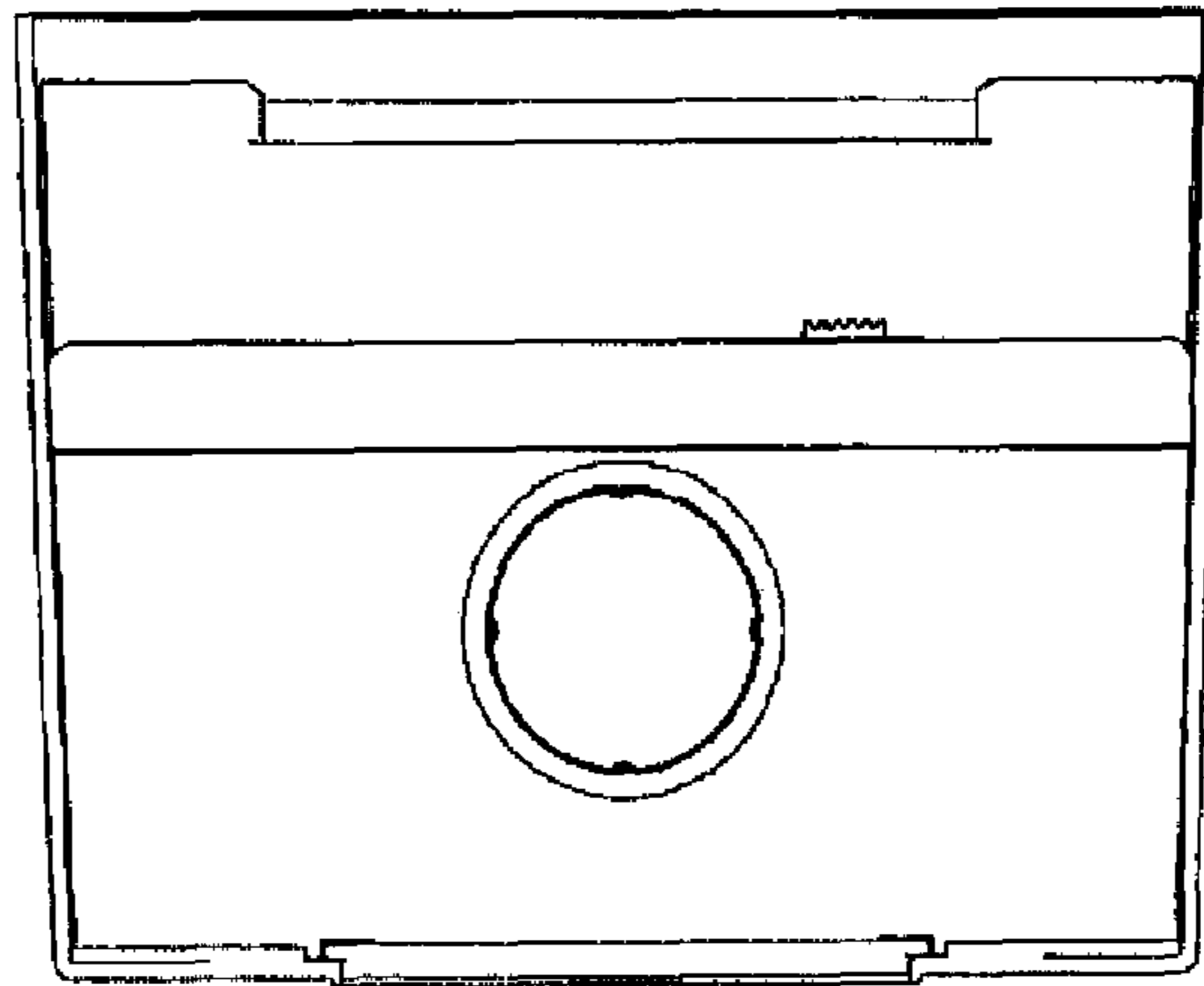


FIG. 10

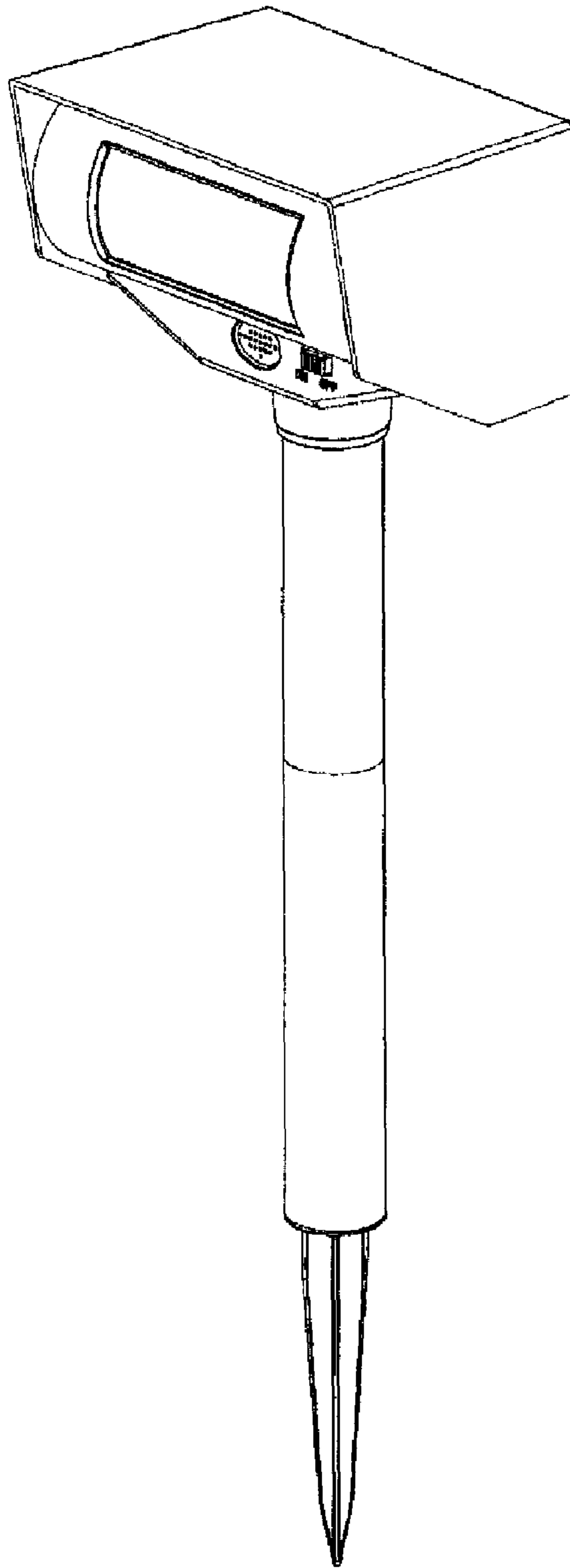


FIG. 11

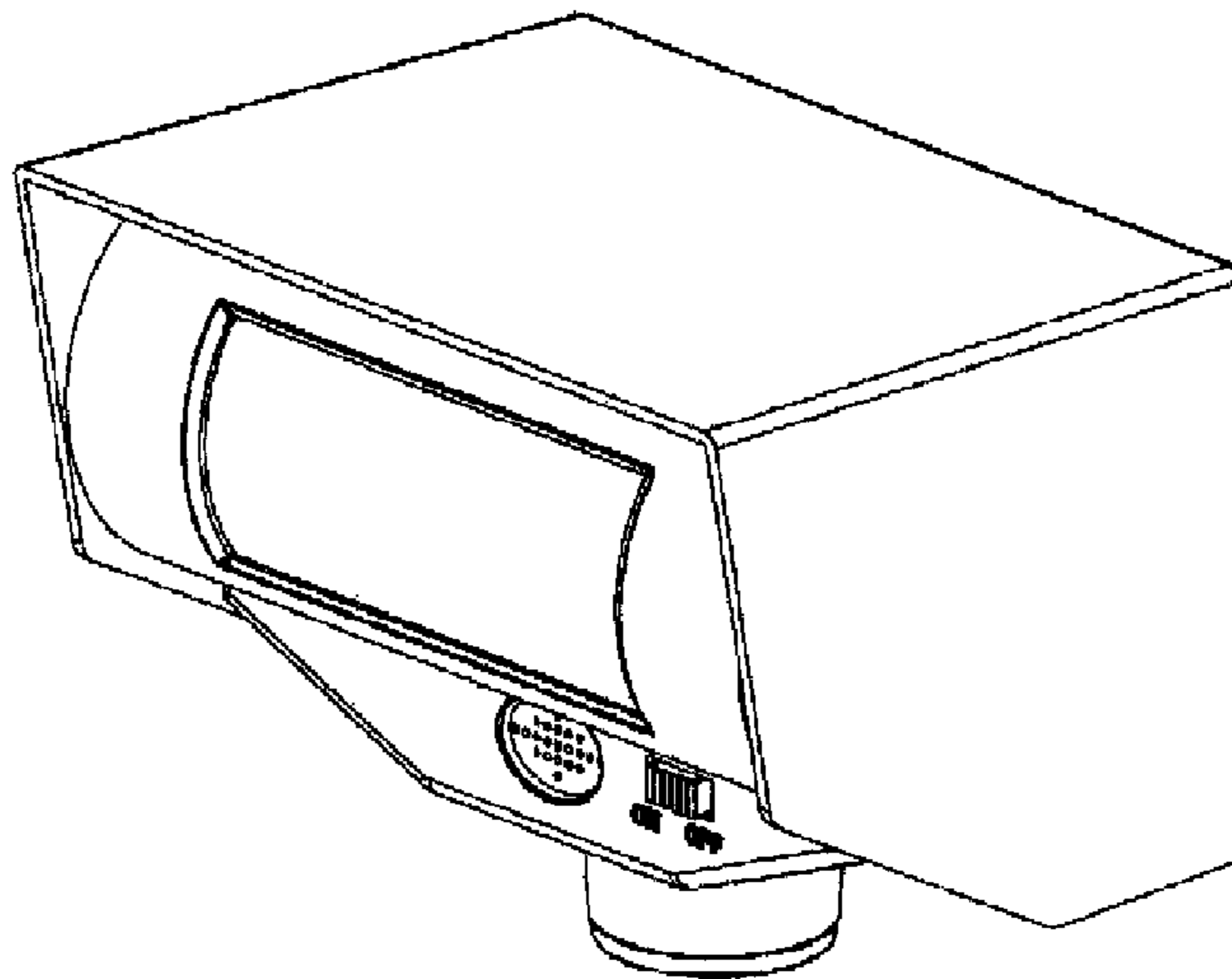


FIG. 12

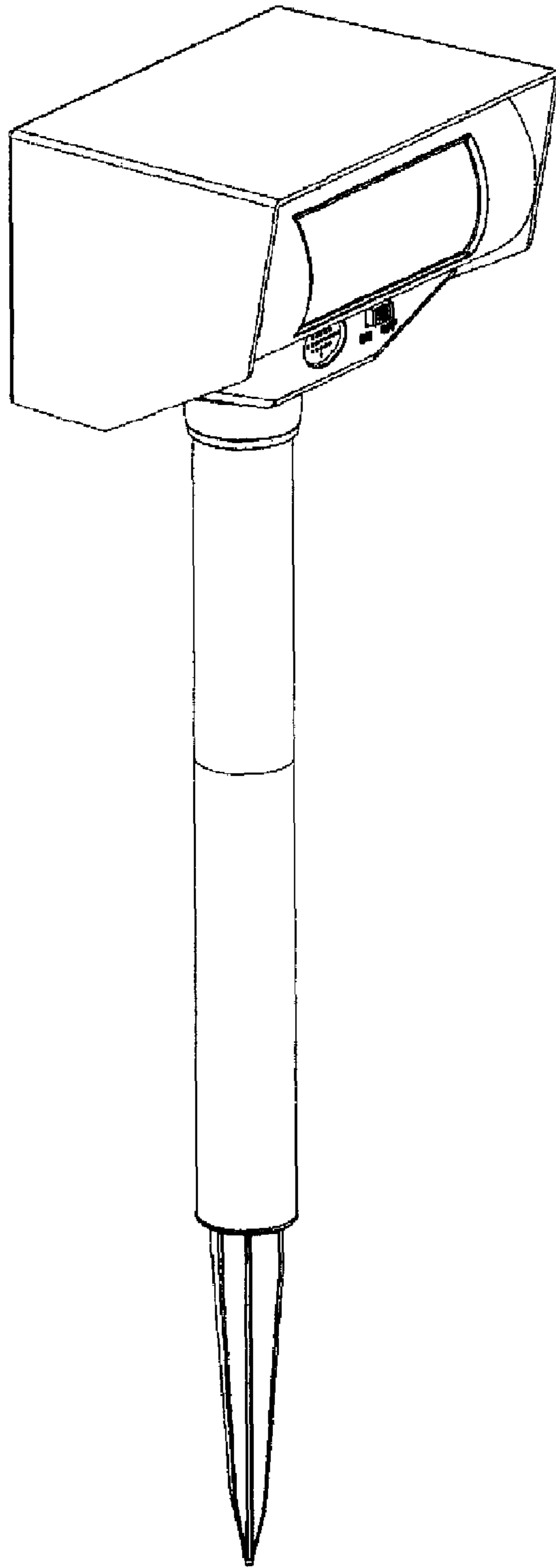


FIG. 13

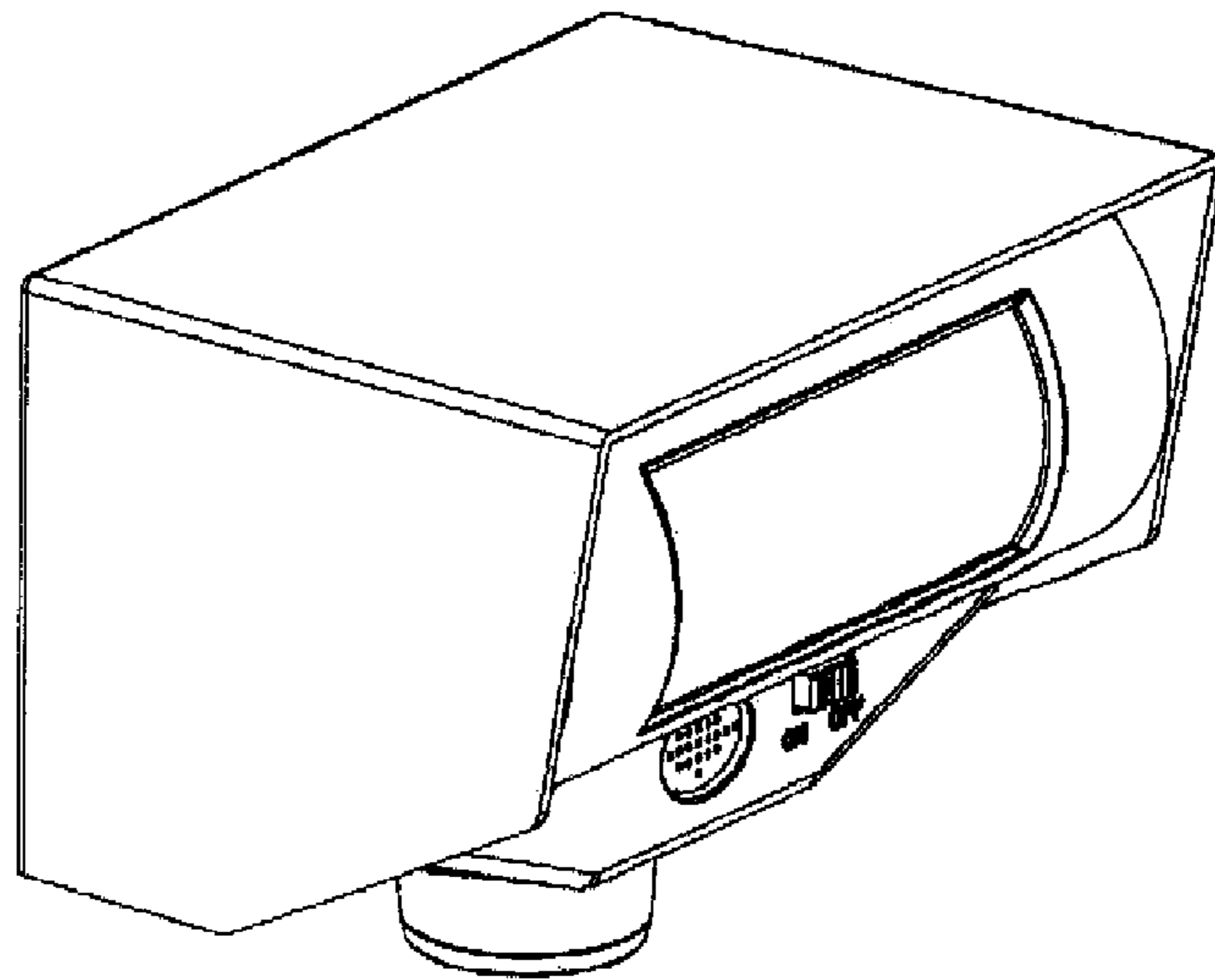


FIG. 14