



US00D639891S

(12) **United States Design Patent**
Chvala

(10) **Patent No.:** **US D639,891 S**

(45) **Date of Patent:** **** Jun. 14, 2011**

(54) **ADJUSTABLE SHOTGUN STOCK**

(75) Inventor: **John R. Chvala**, Grafton, WI (US)

(73) Assignee: **Advanced Technology International USA, LLC**, Milwaukee, WI (US)

(**) Term: **14 Years**

(21) Appl. No.: **29/362,011**

(22) Filed: **May 19, 2010**

(51) **LOC (9) Cl.** **22-01**

(52) **U.S. Cl.** **D22/108**

(58) **Field of Classification Search** D22/100,
D22/101, 103, 104, 108, 199; D21/572,
D21/573; 42/51, 90, 71.01, 71.02, 73, 75.01,
42/75.02; 362/160; 33/241; 313/105 R;
89/40.06, 37.04, 33.04

See application file for complete search history.

(56) **References Cited**

U.S. PATENT DOCUMENTS

D196,304 S *	9/1963	Hoge	D22/103
D295,545 S *	5/1988	Bell	D22/103
D462,104 S *	8/2002	McCarthy	D22/108
7,647,719 B2 *	1/2010	Fitzpatrick et al.	42/71.01

* cited by examiner

Primary Examiner — T. Chase Nelson

Assistant Examiner — Michael Pratt

(74) *Attorney, Agent, or Firm* — Andrus, Scales, Starke & Sawall, LLP

(57) **CLAIM**

The ornamental design for an adjustable shotgun stock, and shown and described.

DESCRIPTION

FIG. 1 is a perspective view of an adjustable shotgun stock incorporating the new design;

FIG. 2 is a right side elevation view thereof, wherein the left side elevation view is a mirror image;

FIG. 3 is a top elevation view thereof;

FIG. 4 is a bottom elevation view thereof;

FIG. 5 is a front elevation view thereof;

FIG. 6 is a rear elevation view thereof;

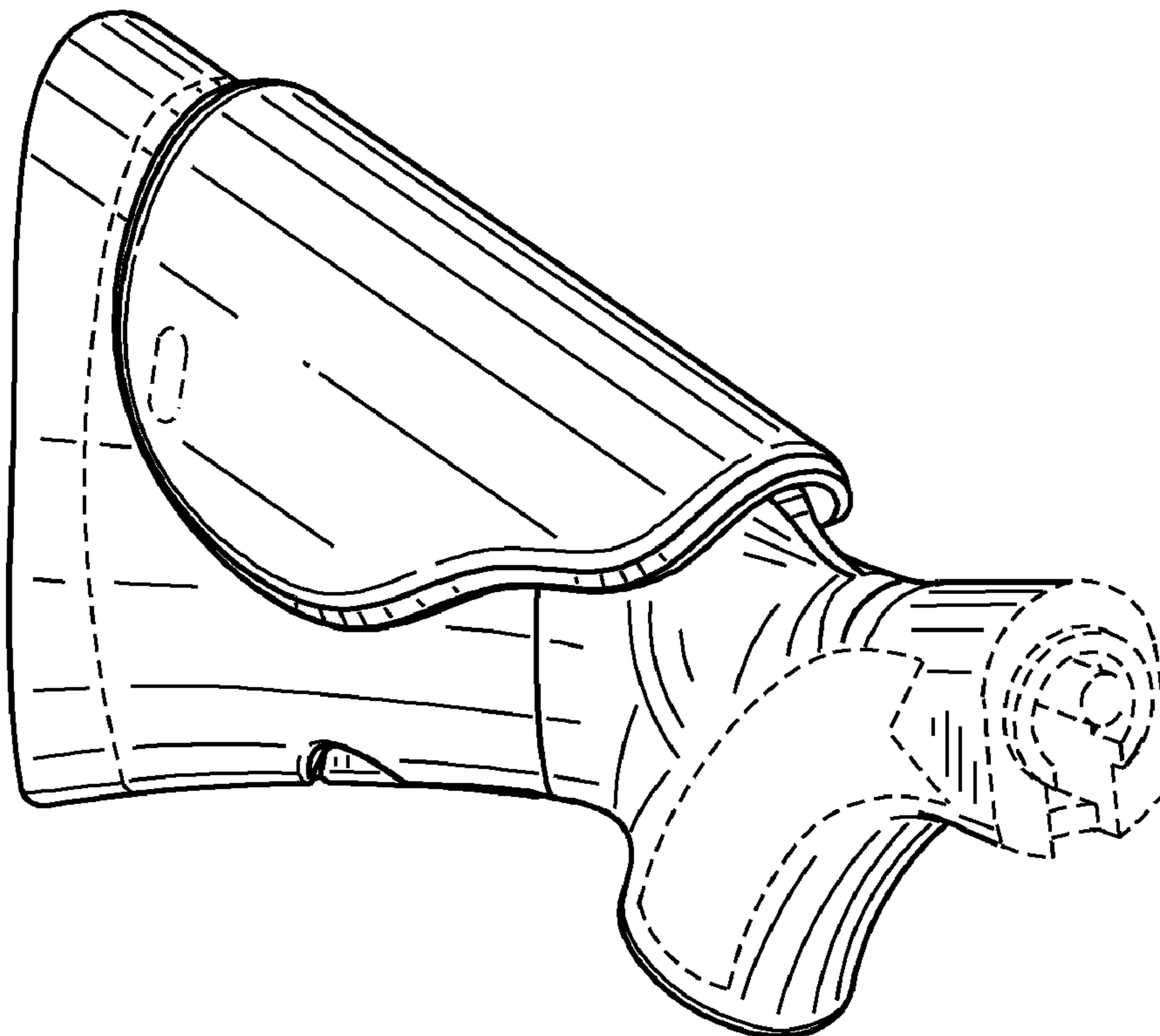
FIG. 7 is a right side elevation view similar to FIG. 2 in which the adjustable shotgun stock is in an extended position;

FIG. 8 is a top elevation view similar to FIG. 3 in which the adjustable shotgun stock is in the extended position; and,

FIG. 9 is a bottom elevation view similar to FIG. 4 in which the adjustable shotgun stock is in the extended position.

The broken lines in the drawing views are included for purposes of illustrating portions of the adjustable shotgun stock that form no part of the claimed design.

1 Claim, 5 Drawing Sheets



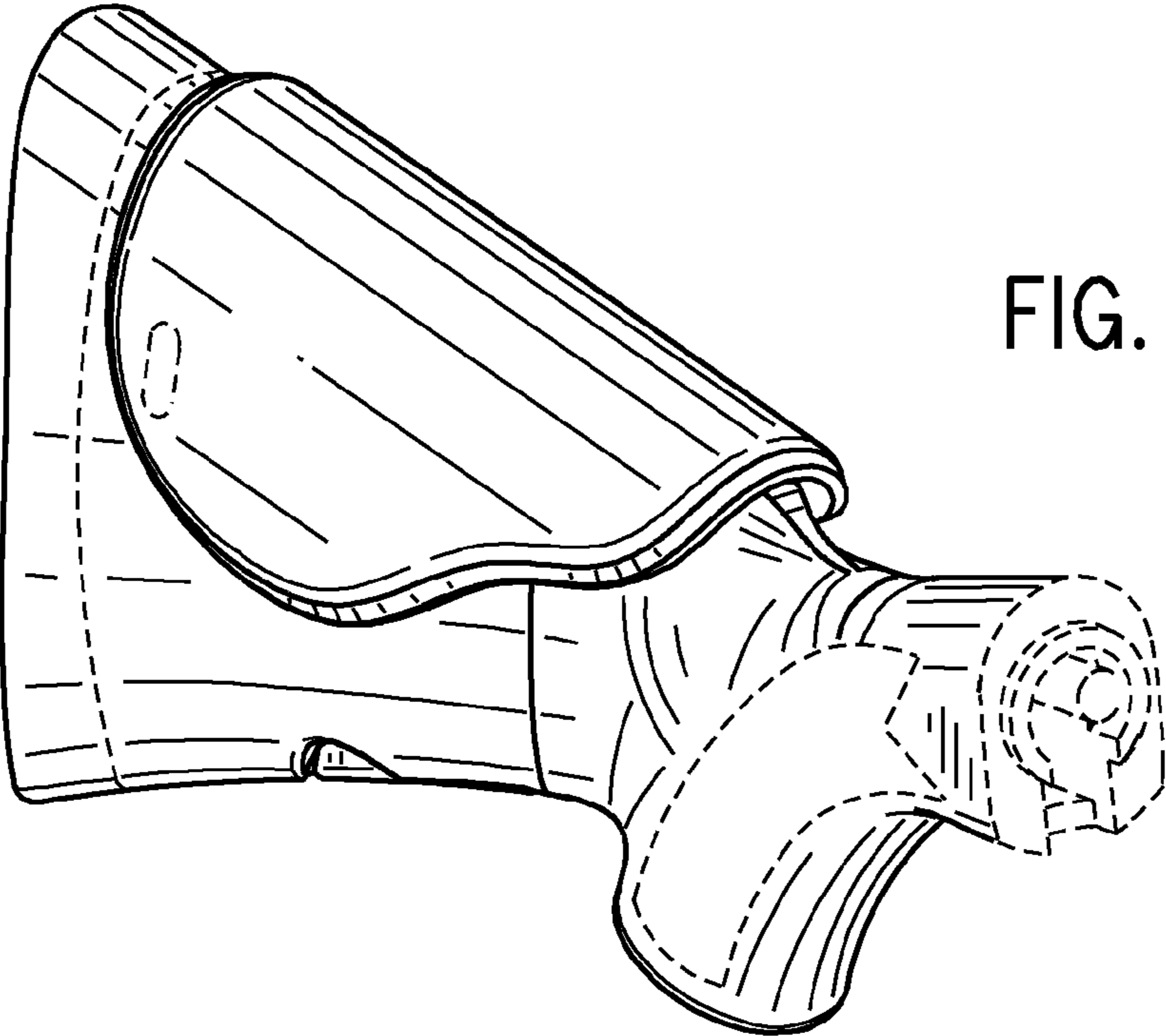


FIG. 1

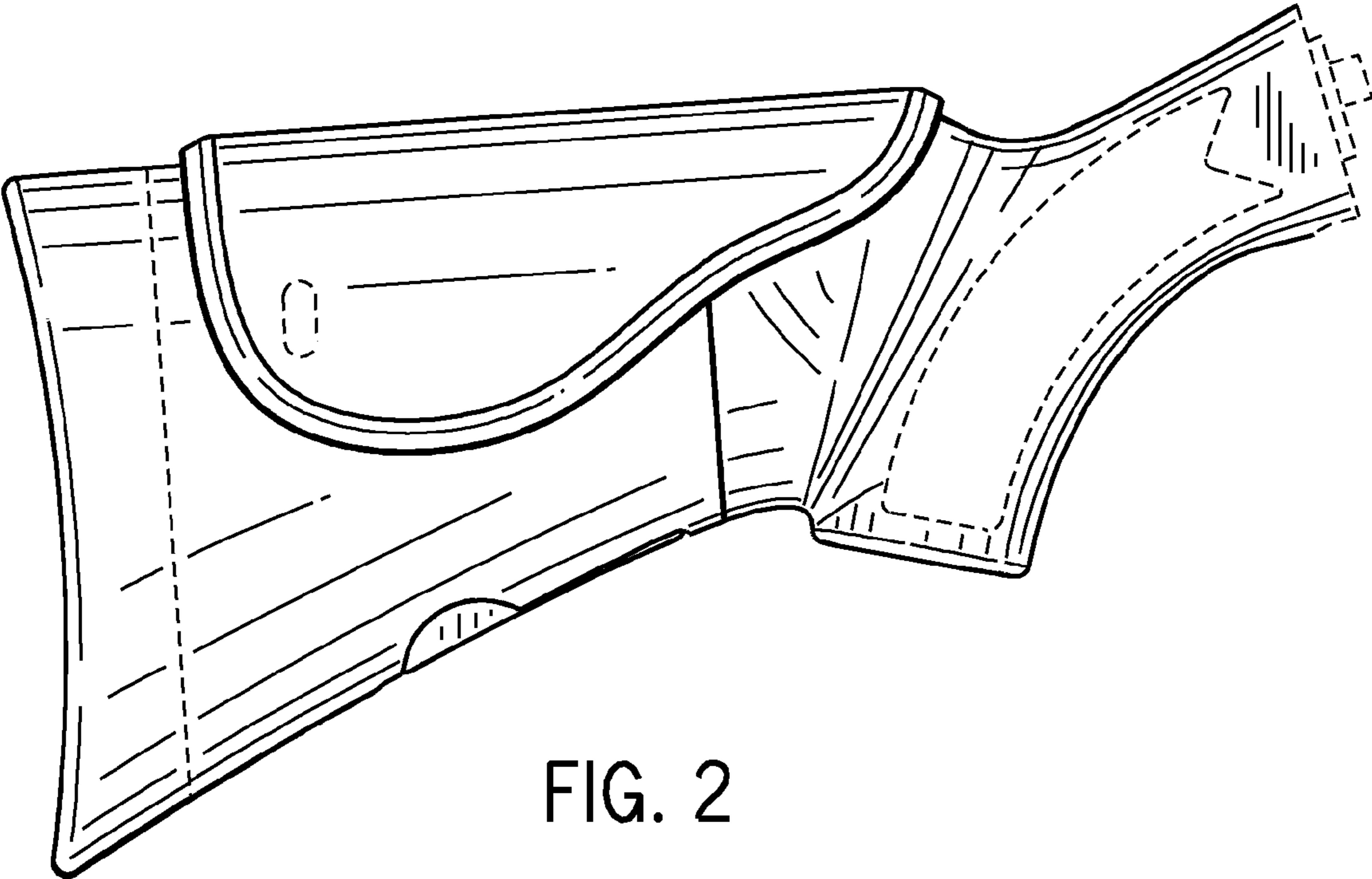


FIG. 2

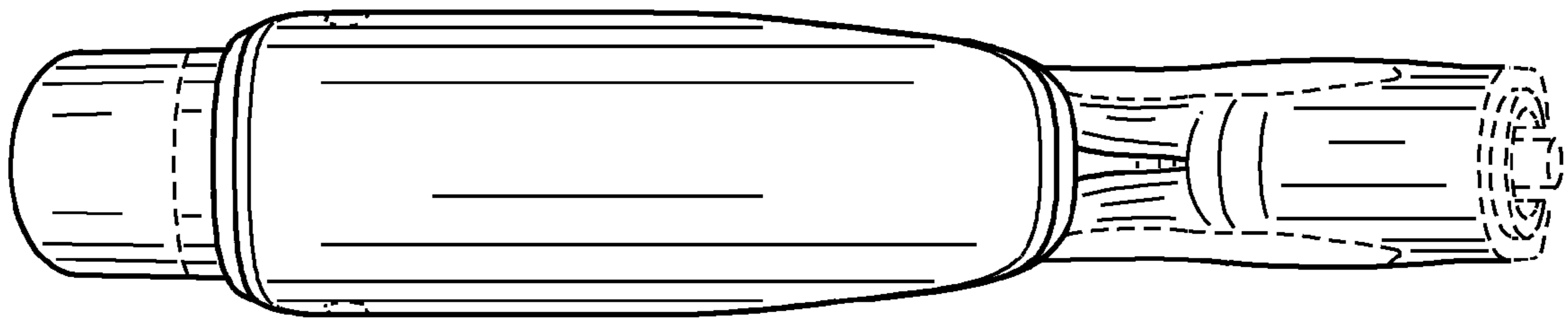


FIG. 3

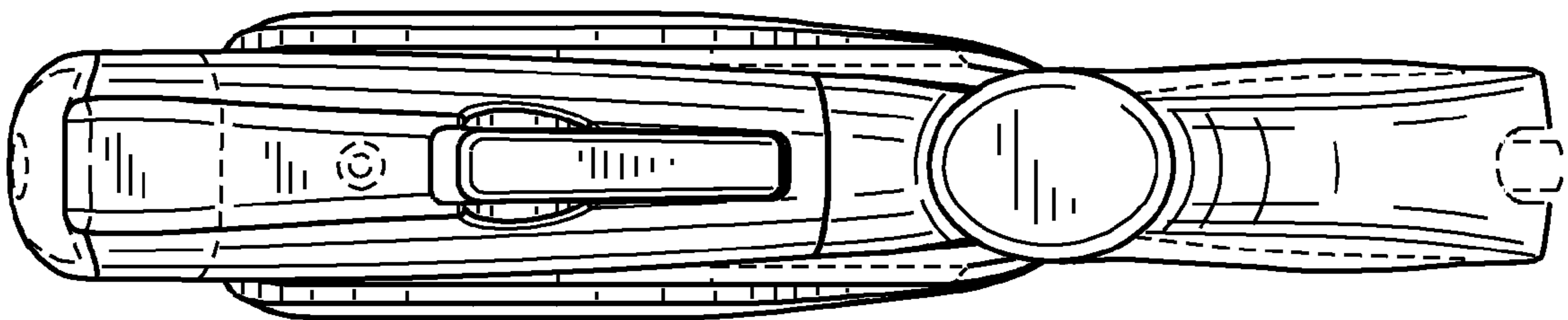


FIG. 4

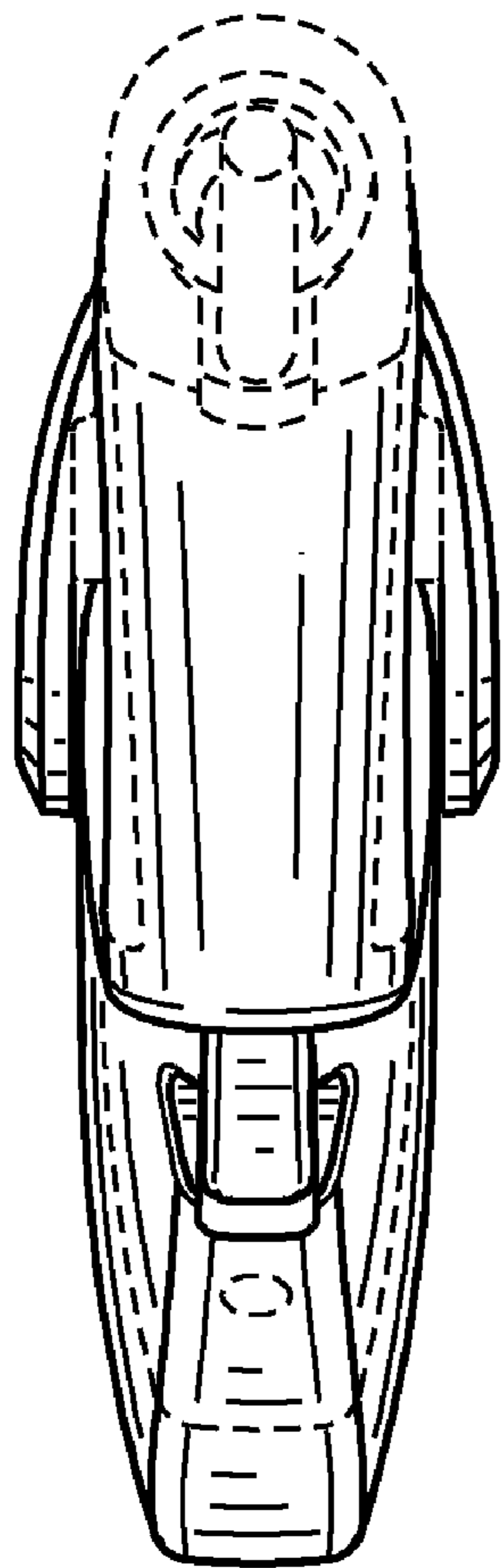


FIG. 5

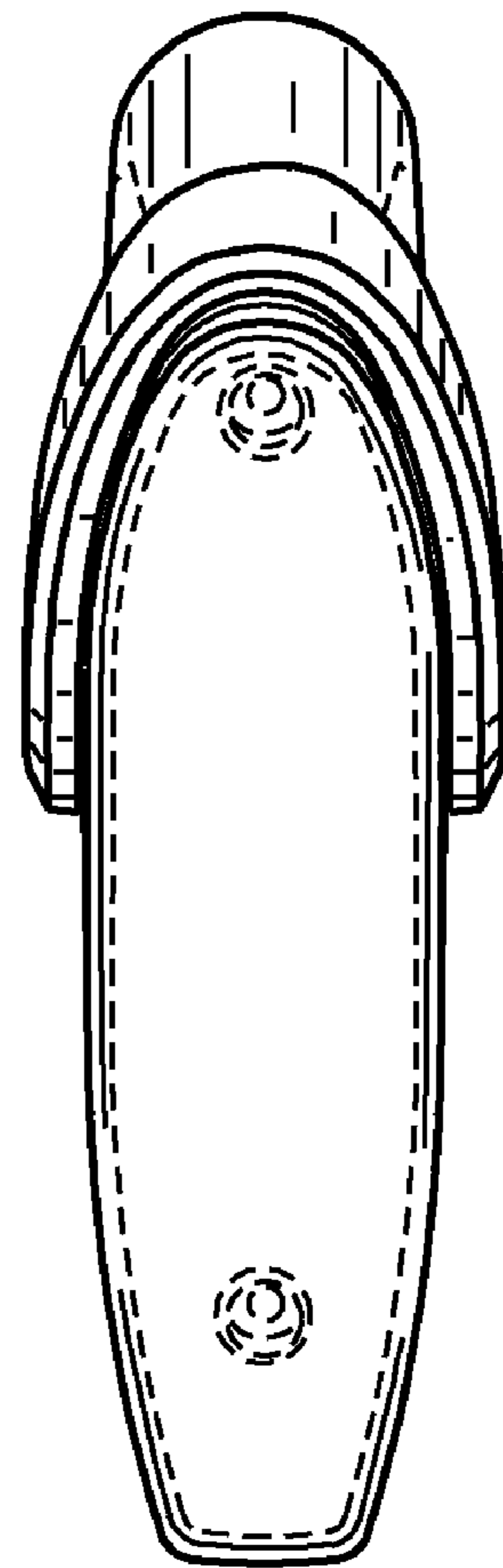


FIG. 6

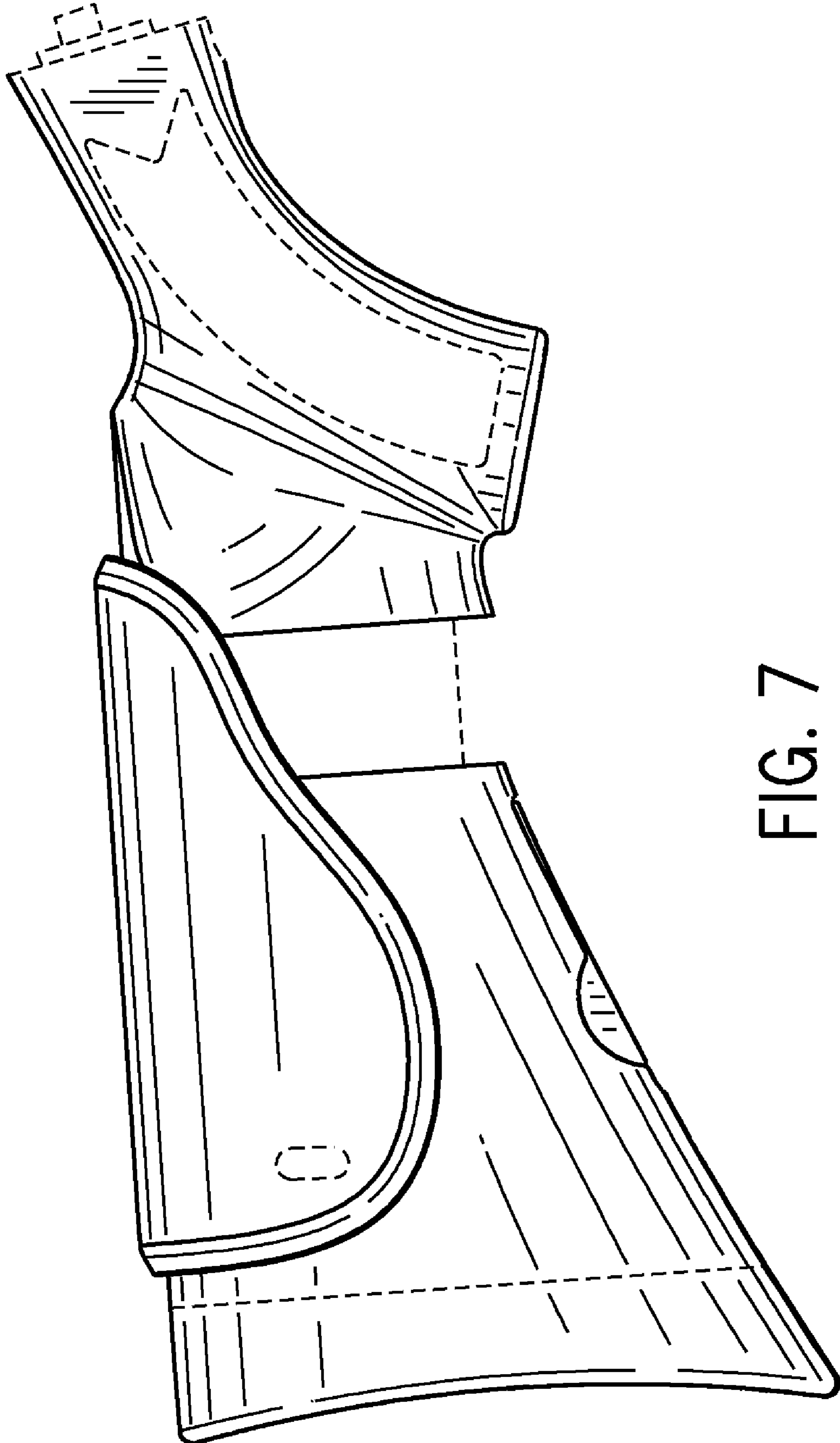


FIG. 7

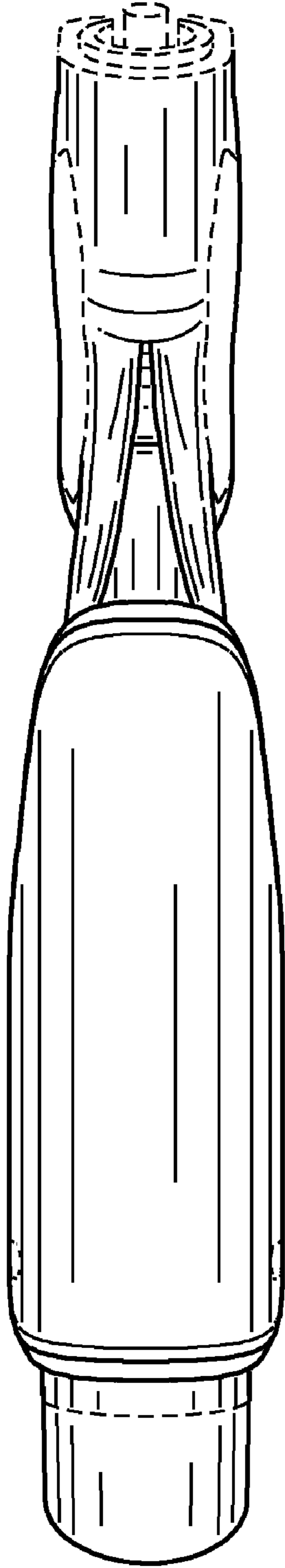


FIG. 8

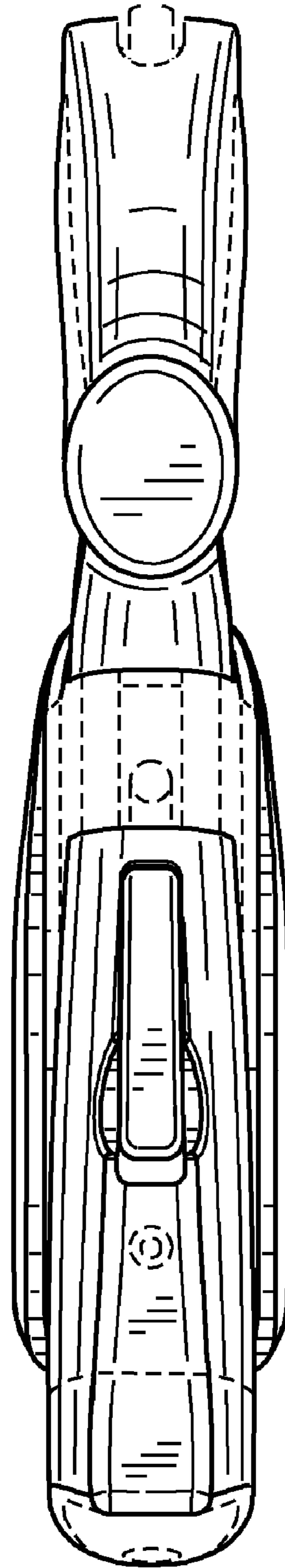


FIG. 9