

US00D639890S

(12) **United States Design Patent**
Troy, Jr.

(10) **Patent No.:** **US D639,890 S**

(45) **Date of Patent:** **** Jun. 14, 2011**

(54) **FIREARM SLING MOUNT**

(76) **Inventor:** **Stephen P. Troy, Jr.,** Lee, MA (US)

(**) **Term:** **14 Years**

(21) **Appl. No.:** **29/356,817**

(22) **Filed:** **Mar. 3, 2010**

(51) **LOC (9) Cl.** **22-01**

(52) **U.S. Cl.** **D22/108**

(58) **Field of Classification Search** D22/108;
D3/214-215, 221, 262, 327-328; D29/101.1-101.2;
42/85, 94; 224/149, 150, 157-160, 190,
224/250, 257, 258, 575, 586, 913

See application file for complete search history.

D455,191	S	*	4/2002	Norris, Sr.	D22/108
D460,799	S	*	7/2002	Norris	D22/108
6,536,154	B1	*	3/2003	Norris	42/85
D525,336	S	*	7/2006	Esch	D22/108
7,069,624	B2	*	7/2006	Johnson	24/302
7,562,481	B2	*	7/2009	Esch	42/85
7,654,028	B1	*	2/2010	Grover	42/85
7,814,697	B2	*	10/2010	Esch	42/85

* cited by examiner

Primary Examiner — T. Chase Nelson

Assistant Examiner — Michael Pratt

(74) *Attorney, Agent, or Firm* — Parsons & Goltry; Robert A. Parsons; Michael W. Goltry

(57) **CLAIM**

The ornamental design for a firearm sling mount, as shown and described.

(56) **References Cited**

U.S. PATENT DOCUMENTS

2,480,662	A	*	8/1949	McKinzie	42/85
2,628,536	A	*	2/1953	Schaich	89/159
3,226,872	A	*	1/1966	Pachmayr	42/85
3,704,537	A	*	12/1972	McKinzie	42/85
4,209,157	A	*	6/1980	Edmisten	248/691
4,454,675	A	*	6/1984	Ives	42/85
4,571,872	A	*	2/1986	Johnson	42/85
4,685,237	A	*	8/1987	Hugg	42/85
4,841,658	A	*	6/1989	Katsenes	42/85
4,924,615	A	*	5/1990	Ives	42/85
D317,810	S	*	6/1991	Rightnour	D22/108
5,067,267	A	*	11/1991	Ives	42/85
D444,201	S	*	6/2001	Norris, Sr.	D22/108
6,354,034	B1	*	3/2002	Norris, Sr.	42/85

DESCRIPTION

FIG. 1 is a perspective view of a firearm sling mount showing my new design;

FIG. 2 is a top plan view of the firearm sling mount;

FIG. 3 is a left side elevation view of the firearm sling mount;

FIG. 4 is a front elevation view of the firearm sling mount;

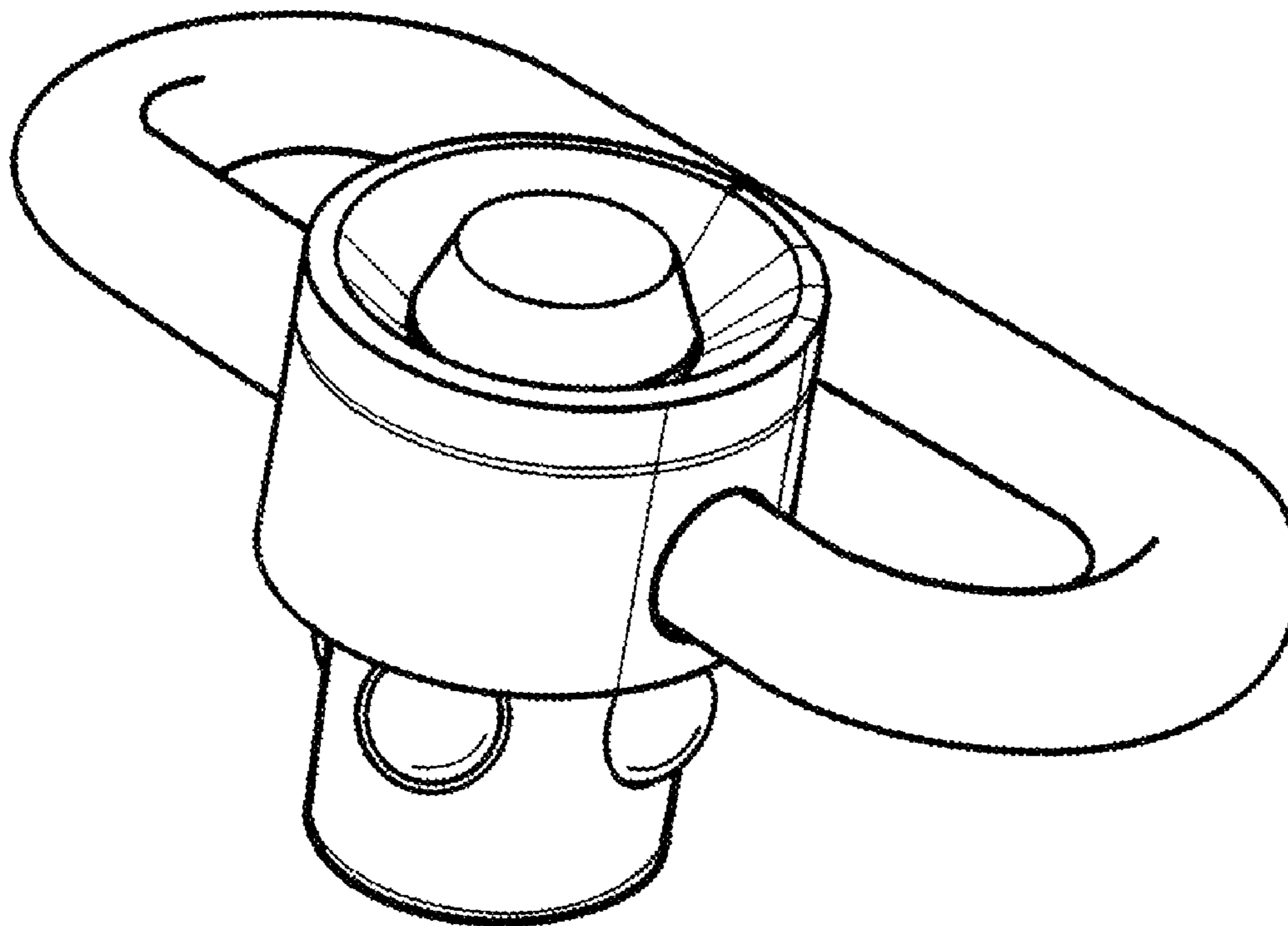
FIG. 5 is a back elevation view of the firearm sling mount;

FIG. 6 is a right side elevation view of the firearm sling mount; and,

FIG. 7 is a top plan view of the firearm sling mount.

The portions of the firearm sling mount shown in broken lines form no part of the claimed design.

1 Claim, 2 Drawing Sheets



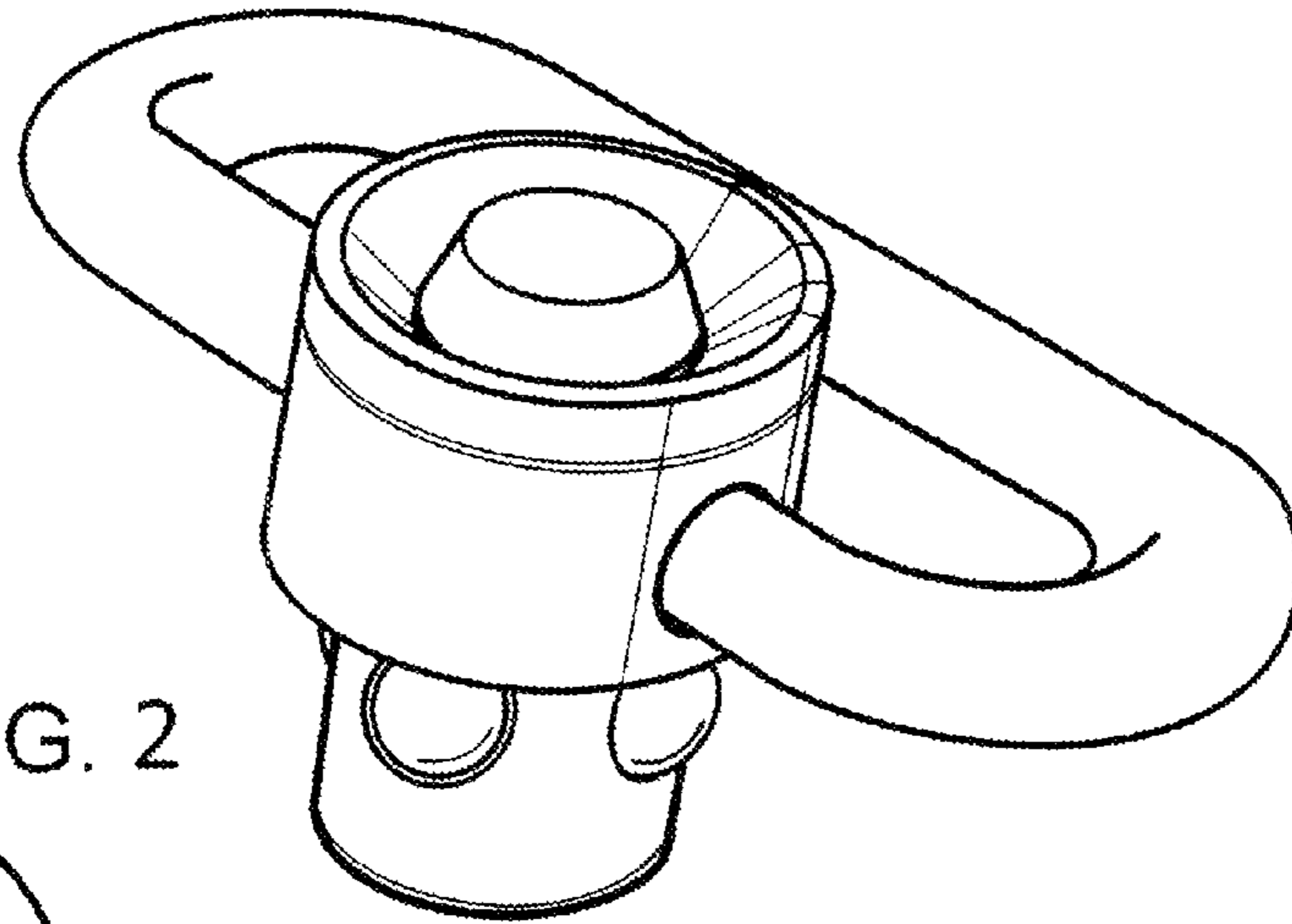


FIG. 1

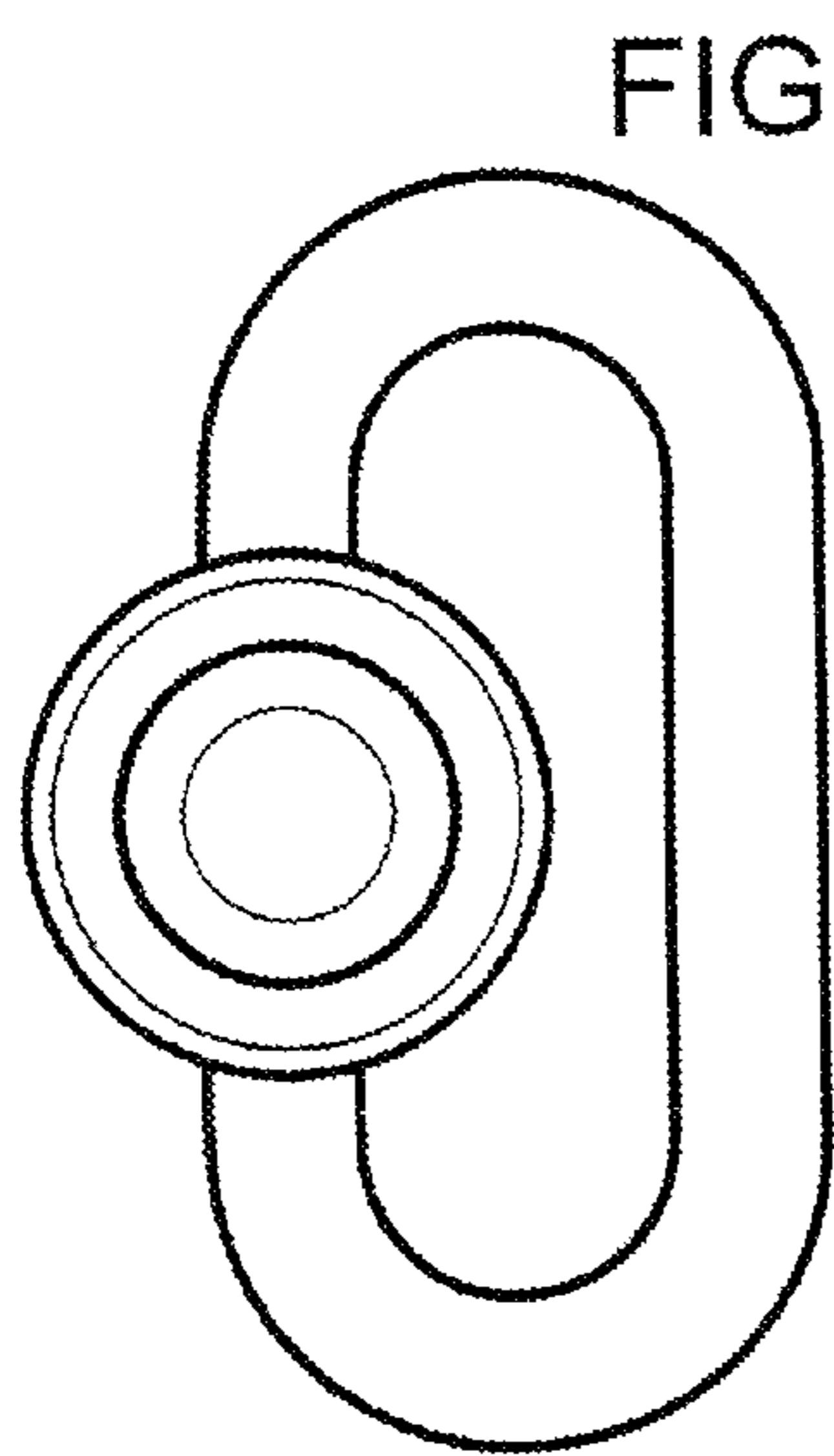


FIG. 2

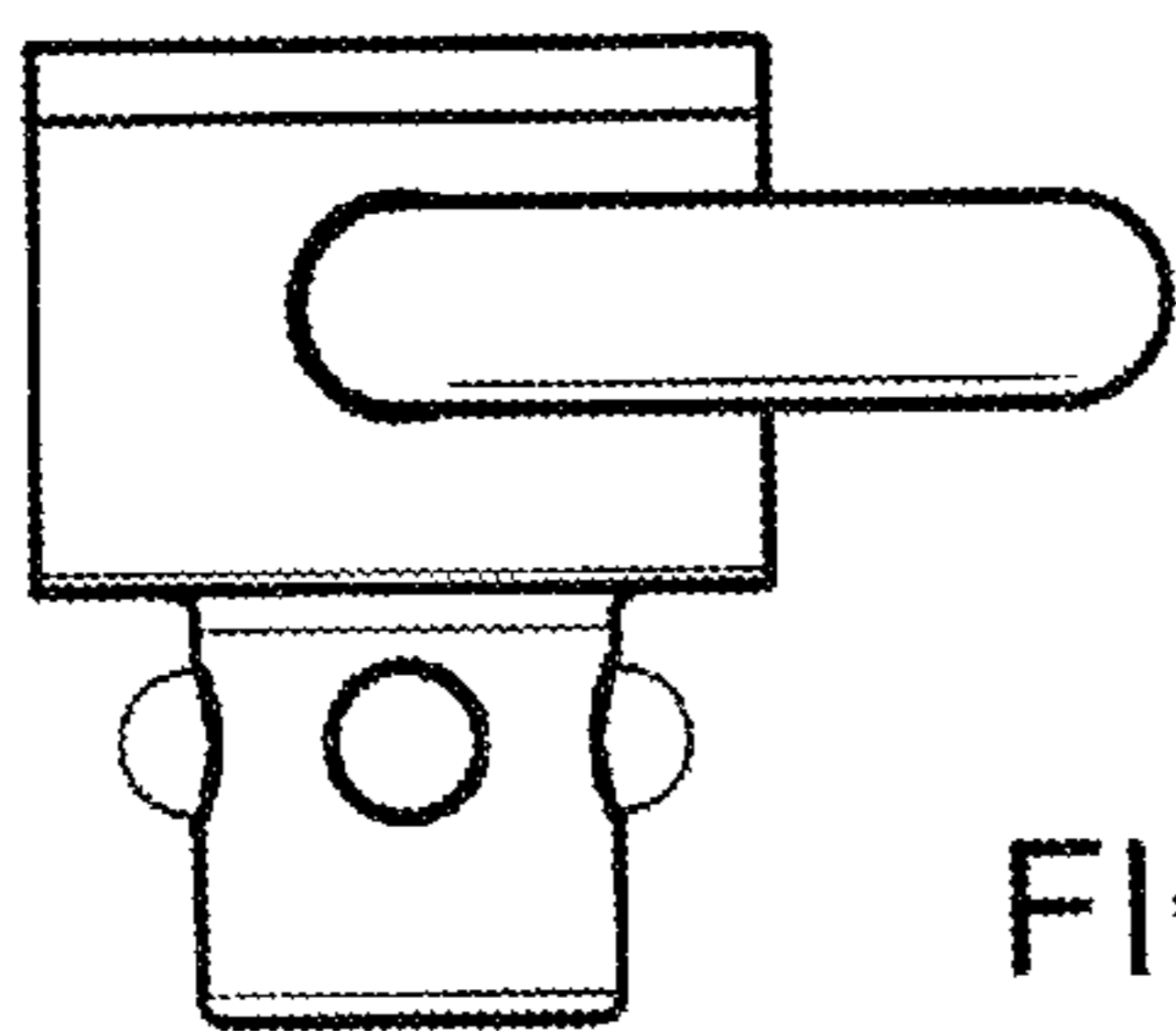


FIG. 3

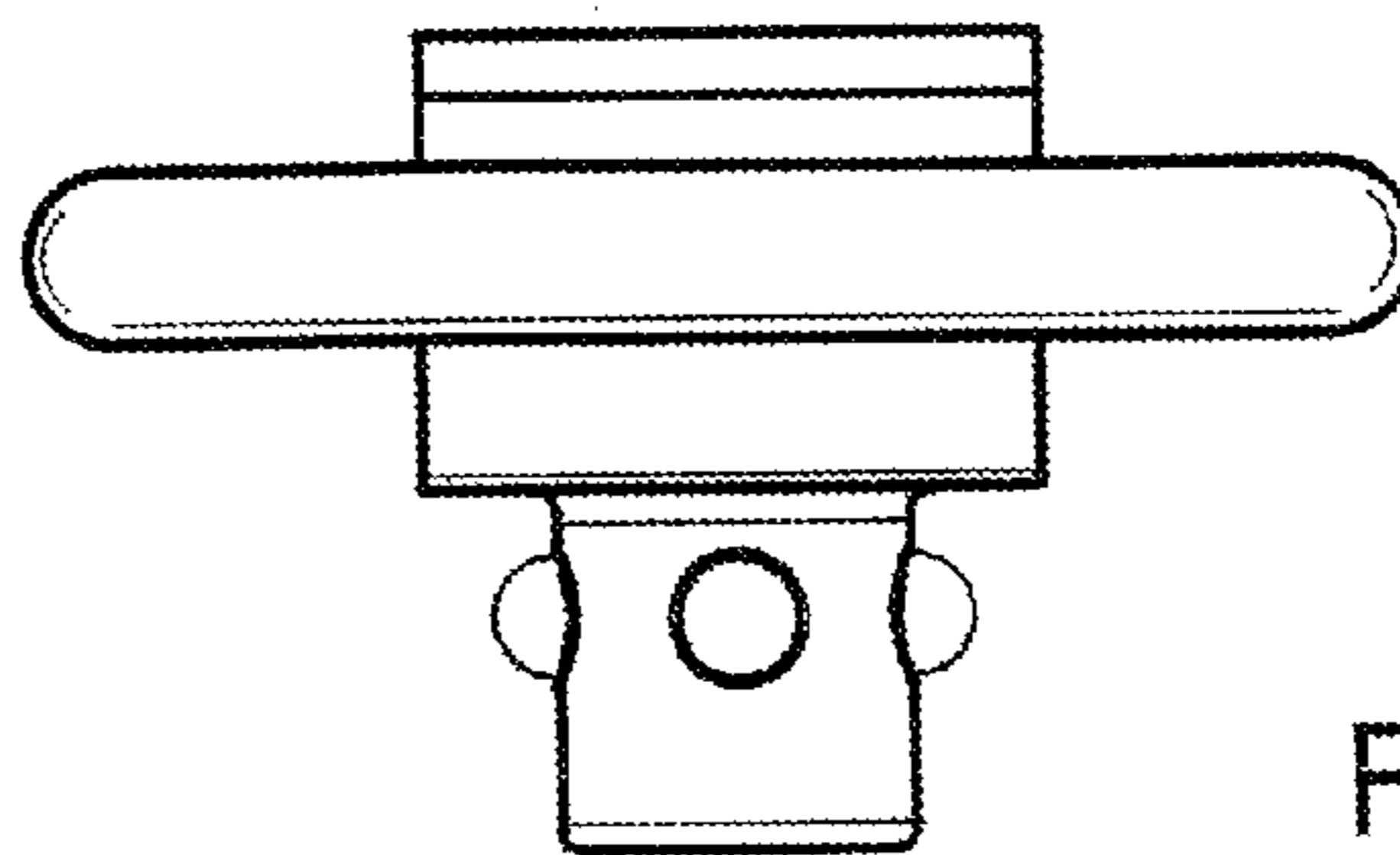


FIG. 4

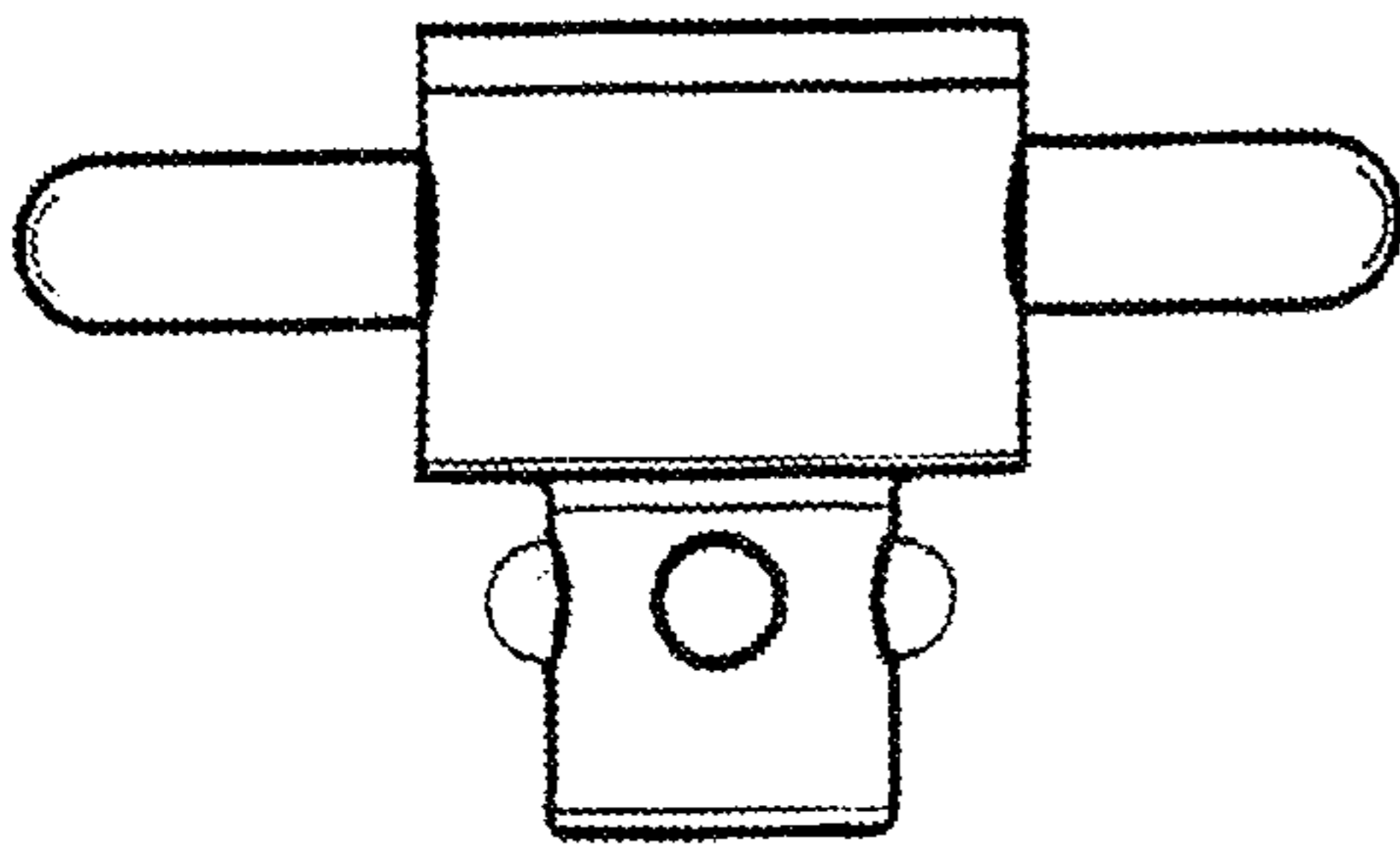


FIG. 5

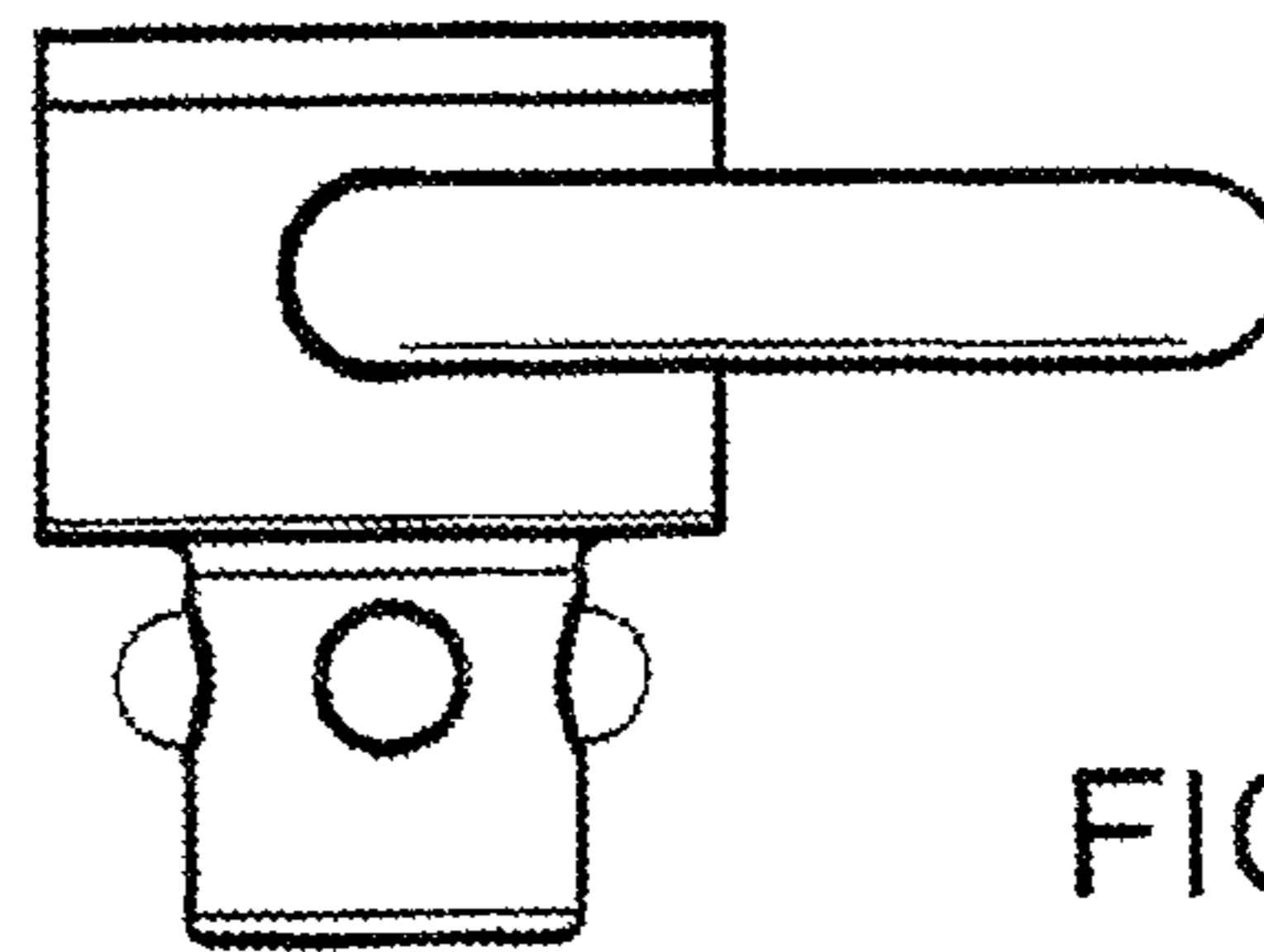


FIG. 6

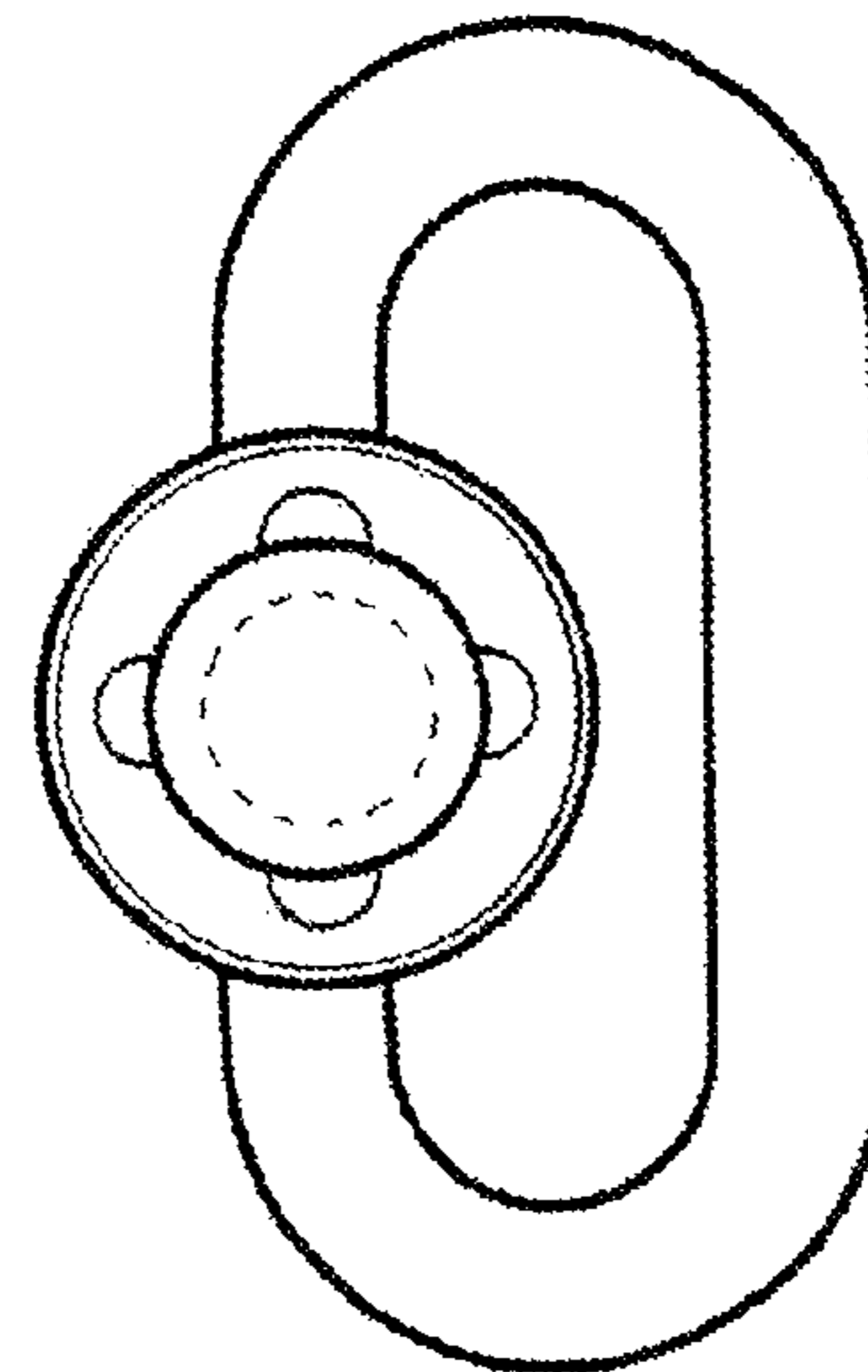


FIG. 7