



US00D639888S

(12) **United States Design Patent**
McPherson

(10) **Patent No.:** **US D639,888 S**

(45) **Date of Patent:** **** Jun. 14, 2011**

(54) **ARCHERY BOW GRIP**

(76) **Inventor:** **Mathew A. McPherson**, Norwalk, WI
(US)

(**) **Term:** **14 Years**

(21) **Appl. No.:** **29/357,168**

(22) **Filed:** **Mar. 8, 2010**

(51) **LOC (9) Cl.** **22-01**

(52) **U.S. Cl.** **D22/107**

(58) **Field of Classification Search** D22/100,
D22/107, 199; 124/23.1, 44.5, 25.6, 86,
124/88; D8/68

See application file for complete search history.

(56) **References Cited**

U.S. PATENT DOCUMENTS

3,176,674	A	4/1965	Smith	
3,814,074	A	6/1974	Wood	
4,693,230	A	9/1987	Sugouchi	
4,966,124	A	10/1990	Burling	
5,070,856	A	12/1991	Plummer	
5,241,945	A *	9/1993	Shepley, Jr.	124/88
5,269,284	A	12/1993	Pujos et al.	
5,349,937	A	9/1994	Burling	
5,469,834	A *	11/1995	Higgins et al.	124/88
5,617,838	A	4/1997	Peruski	
5,682,871	A	11/1997	Walk et al.	
5,842,460	A	12/1998	Barber	
6,988,495	B1 *	1/2006	Van Hoorn	124/88
7,383,834	B2	6/2008	Budd	
7,661,418	B2	2/2010	Bednar et al.	
2002/0073983	A1	6/2002	Etheridge et al.	

* cited by examiner

Primary Examiner — T. Chase Nelson

Assistant Examiner — Michael Pratt

(74) *Attorney, Agent, or Firm* — Vidas, Arrett & Steinkraus,
P.A.

(57) **CLAIM**

The ornamental design for an archery bow grip, as shown and described.

DESCRIPTION

FIG. 1 is a perspective view of a first (e.g. right-handed) embodiment of the archery bow grip.

FIG. 2 is a front view of the first (e.g. right-handed) embodiment of the archery bow grip.

FIG. 3 is a rear view of the first (e.g. right-handed) embodiment of the archery bow grip.

FIG. 4 is a left side view of the first (e.g. right-handed) embodiment of the archery bow grip.

FIG. 5 is a right side view of the first (e.g. right-handed) embodiment of the archery bow grip.

FIG. 6 is a top view of the first (e.g. right-handed) embodiment of the archery bow grip.

FIG. 7 is a bottom view of the first (e.g. right-handed) embodiment of the archery bow grip.

FIG. 8 is a perspective view of a second (e.g. left-handed) embodiment of the archery bow grip.

FIG. 9 is a front view of the second (e.g. left-handed) embodiment of the archery bow grip.

FIG. 10 is a rear view of the second (e.g. left-handed) embodiment of the archery bow grip.

FIG. 11 is a right side view of the second (e.g. left-handed) embodiment of the archery bow grip.

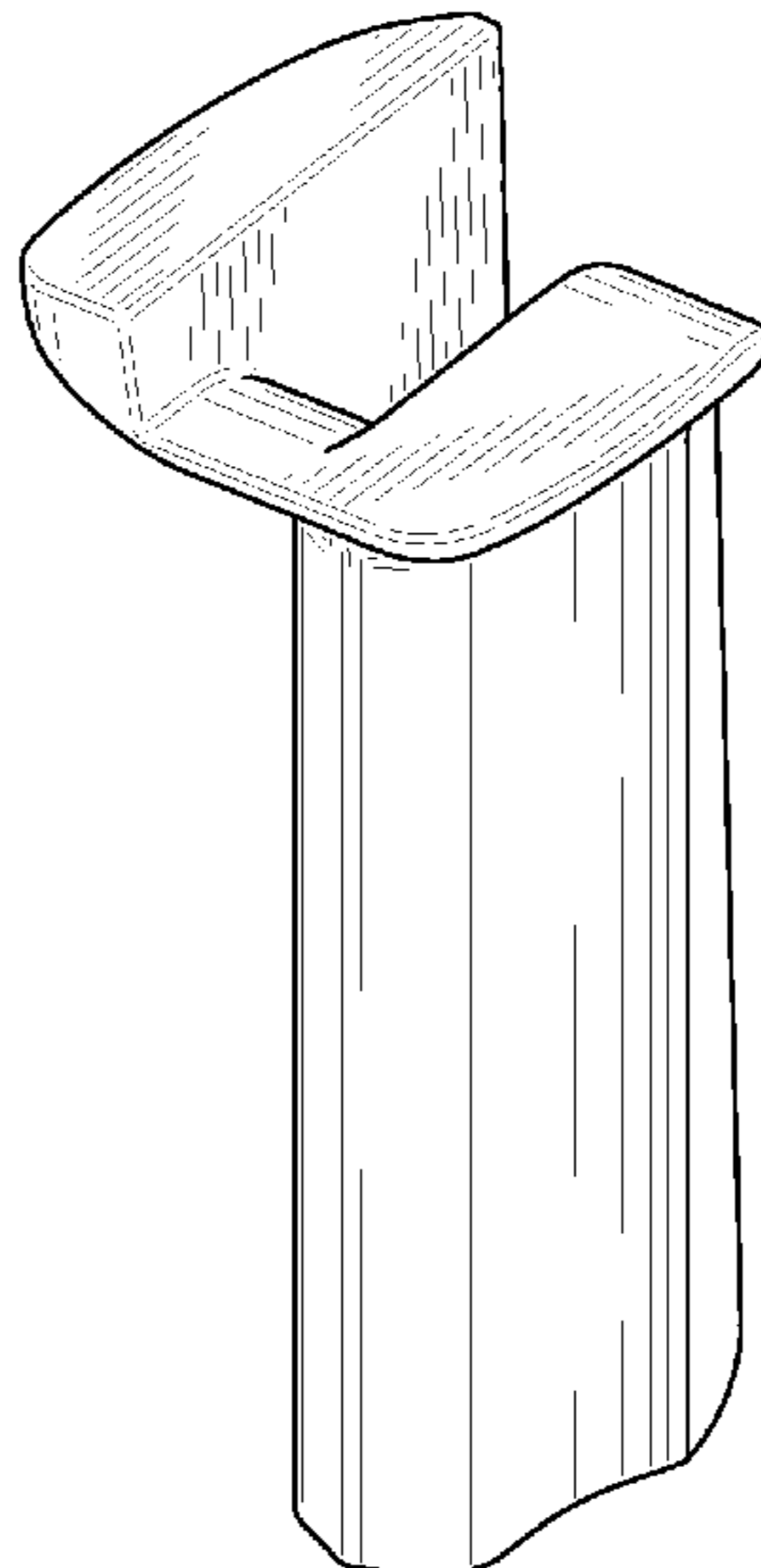
FIG. 12 is a left side view of the second (e.g. left-handed) embodiment of the archery bow grip.

FIG. 13 is a top view of the second (e.g. left-handed) embodiment of the archery bow grip; and,

FIG. 14 is a bottom view of the second (e.g. left-handed) embodiment of the archery bow grip.

The broken lines depict portions of the archery bow grip that form no part of the claimed design.

1 Claim, 8 Drawing Sheets



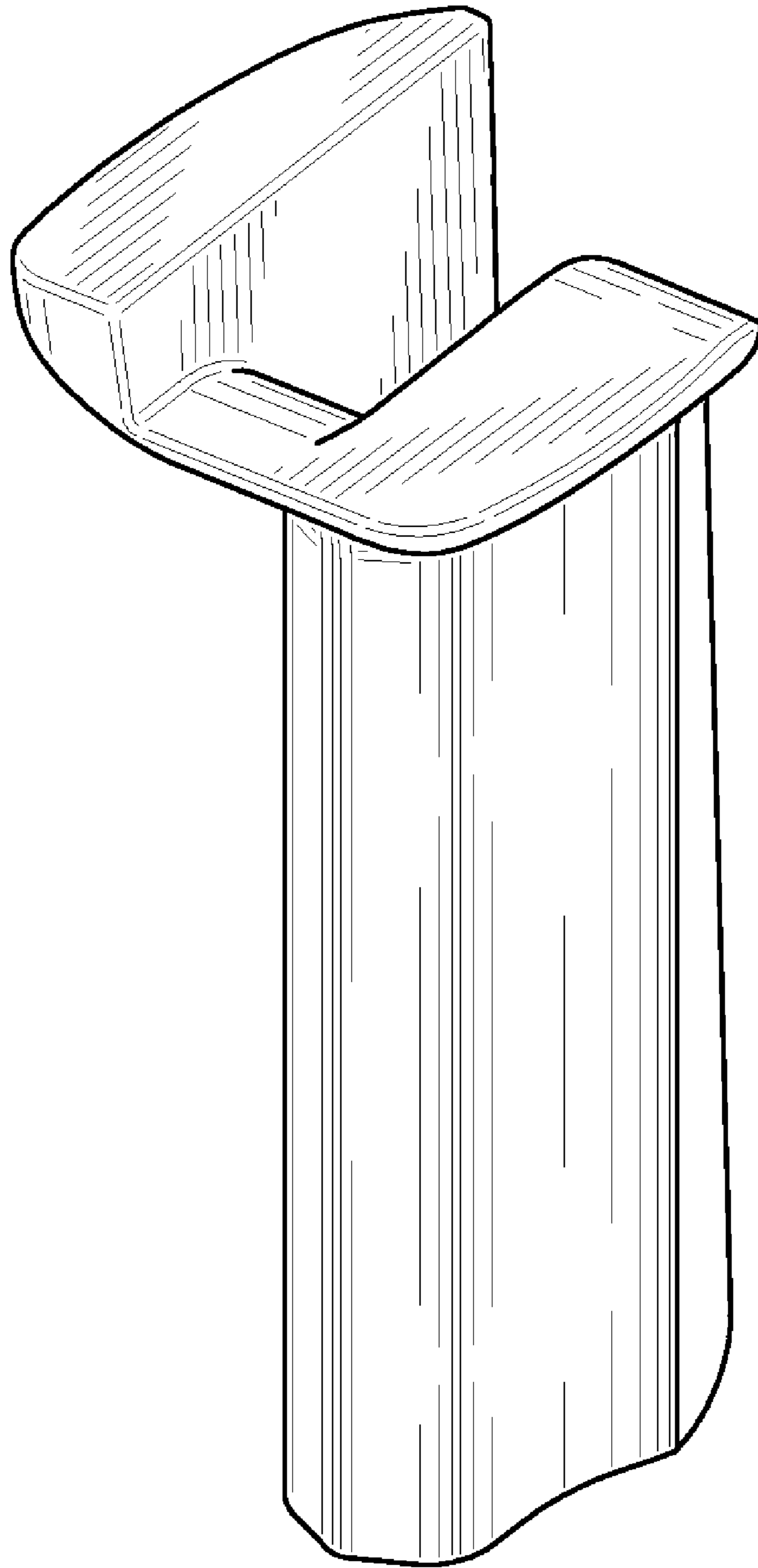


FIG. 1

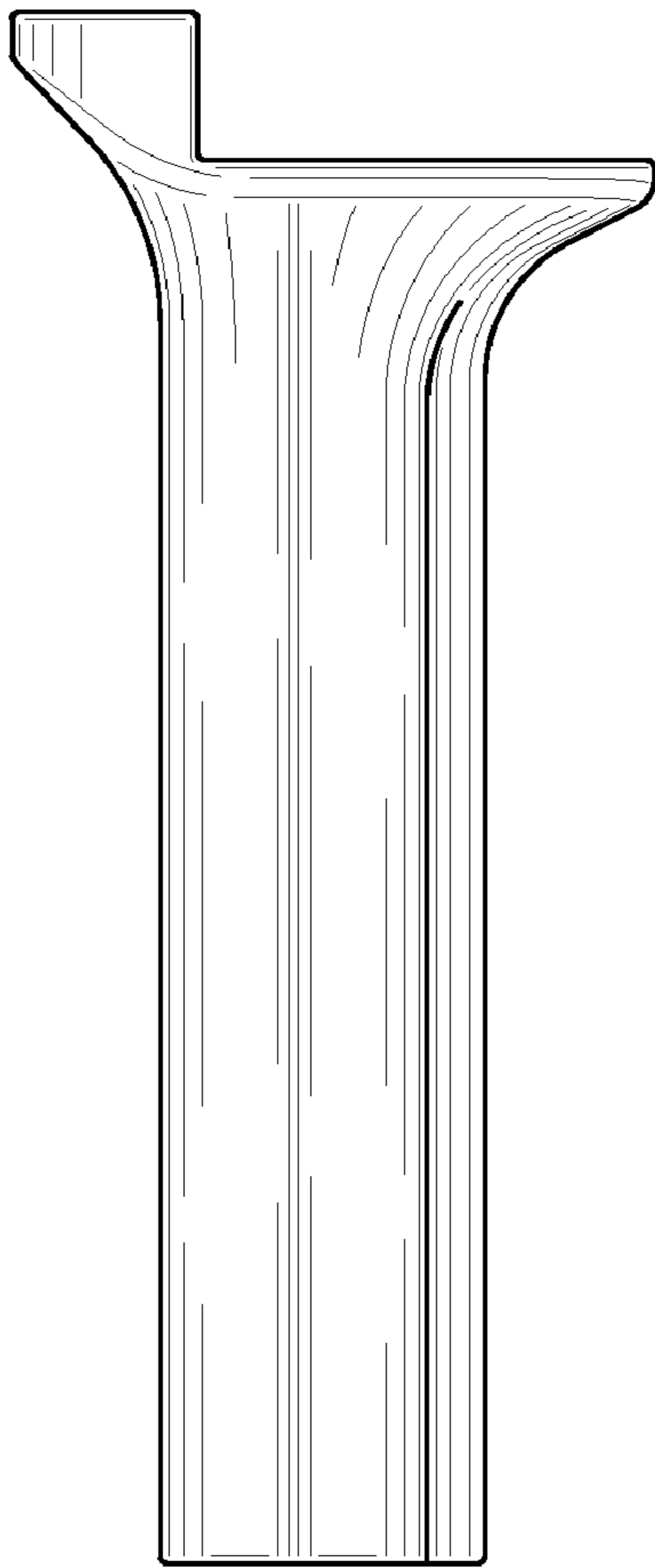


FIG. 2

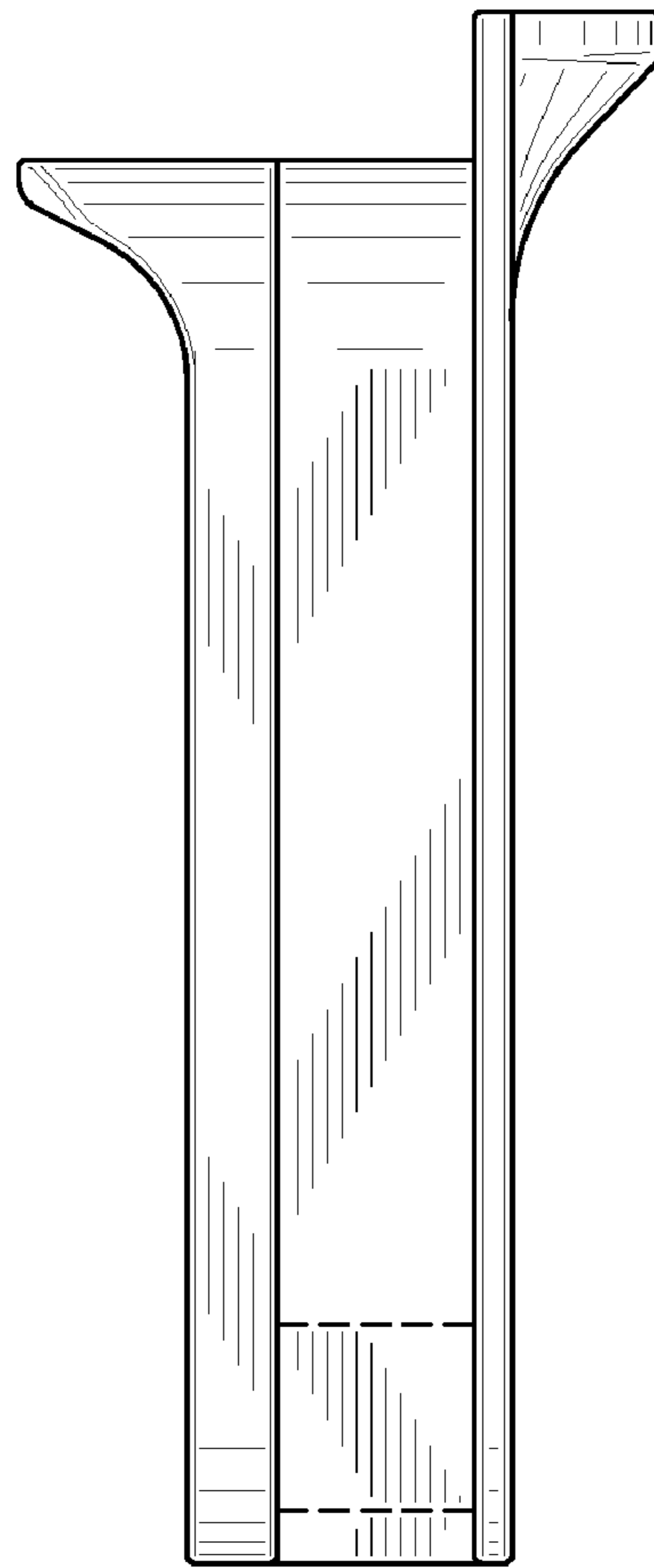


FIG. 3

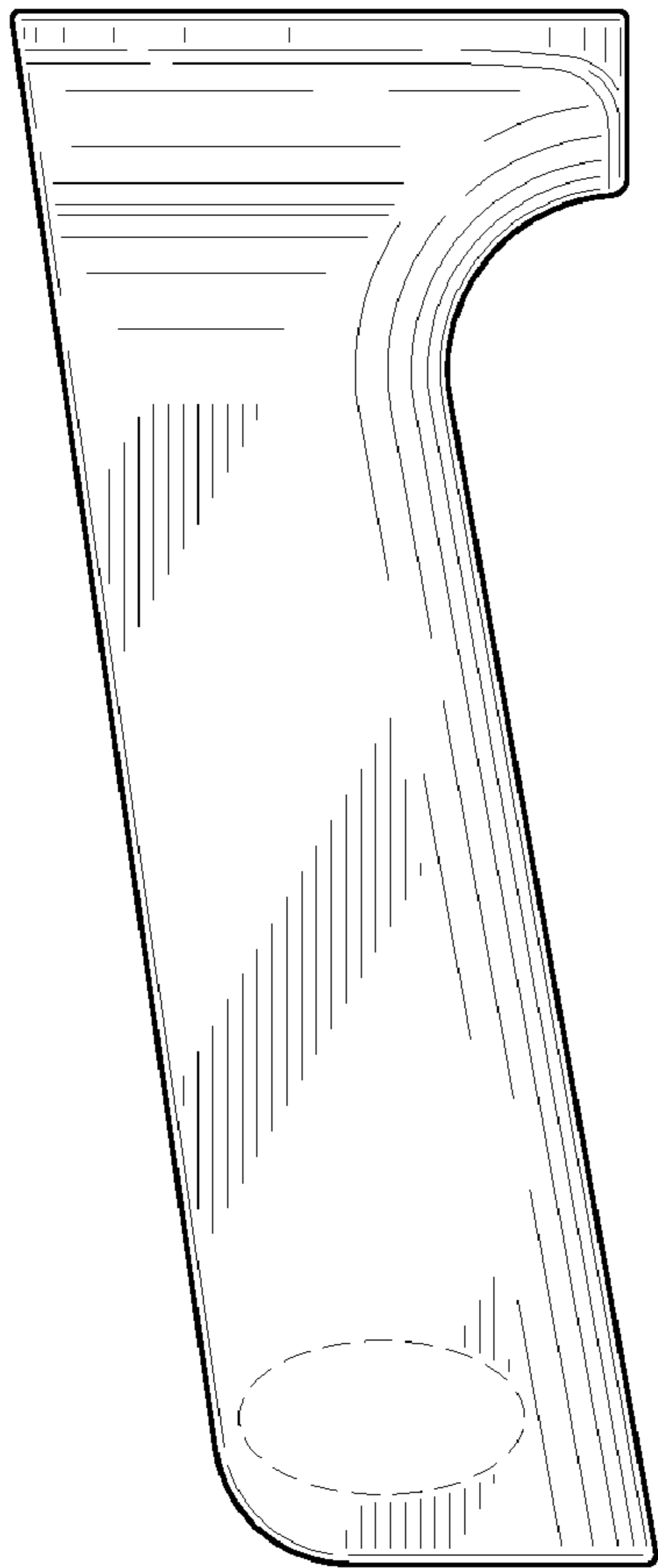


FIG. 4

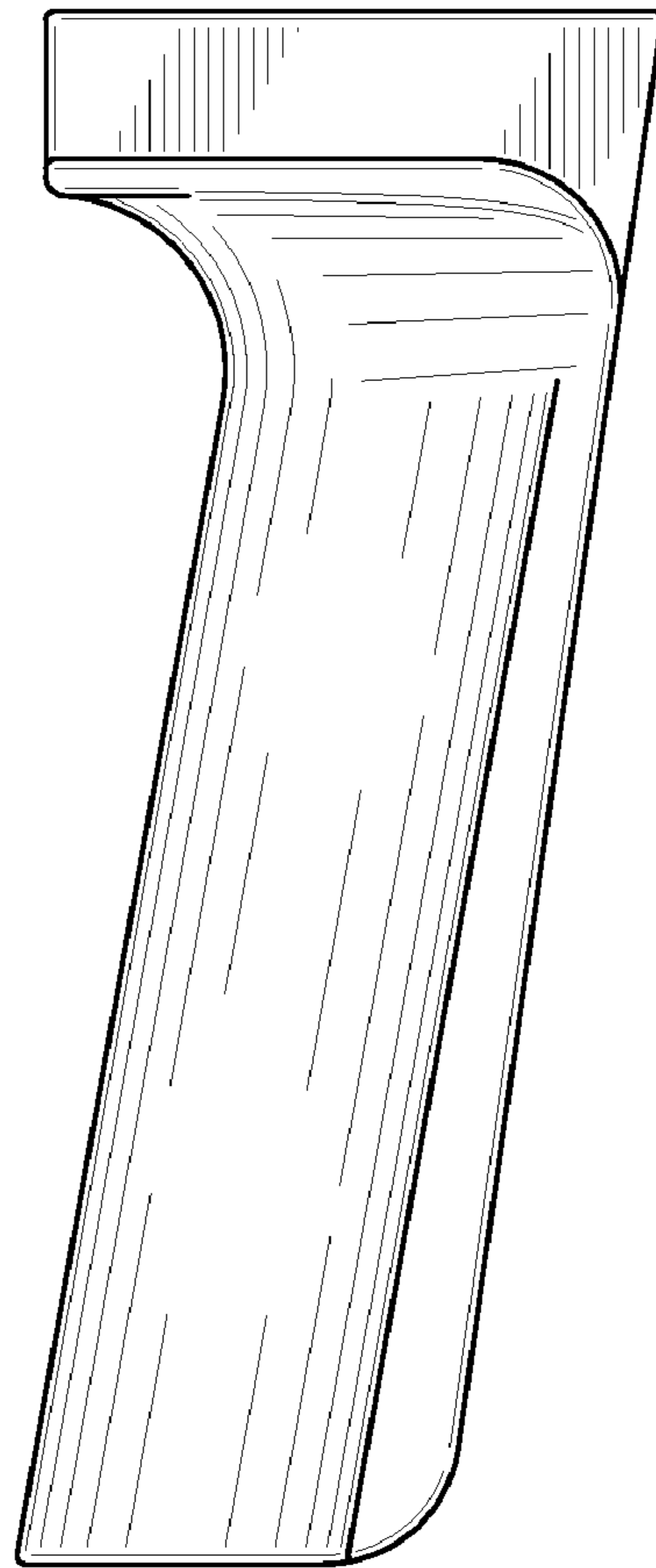


FIG. 5

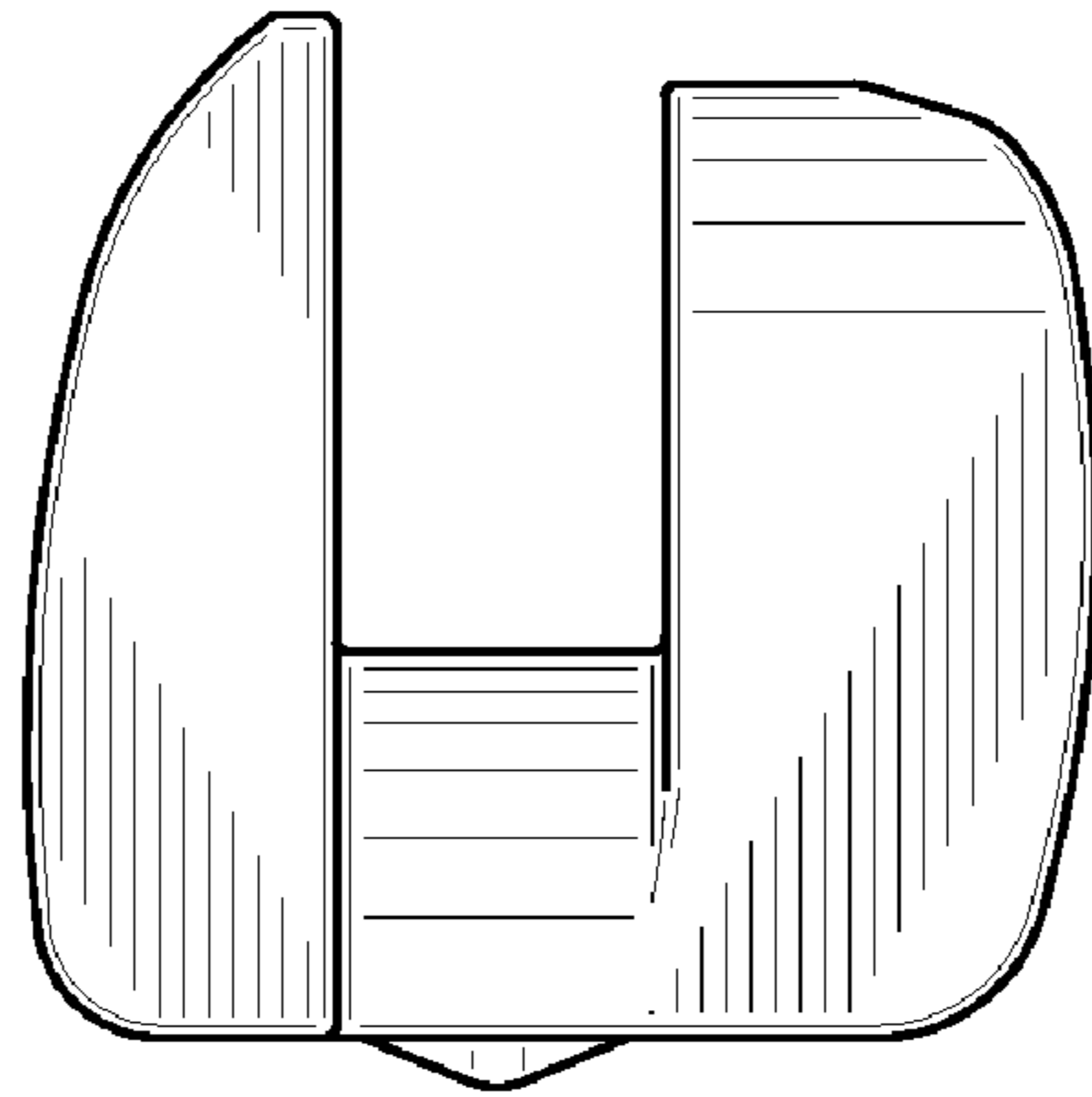


FIG. 6

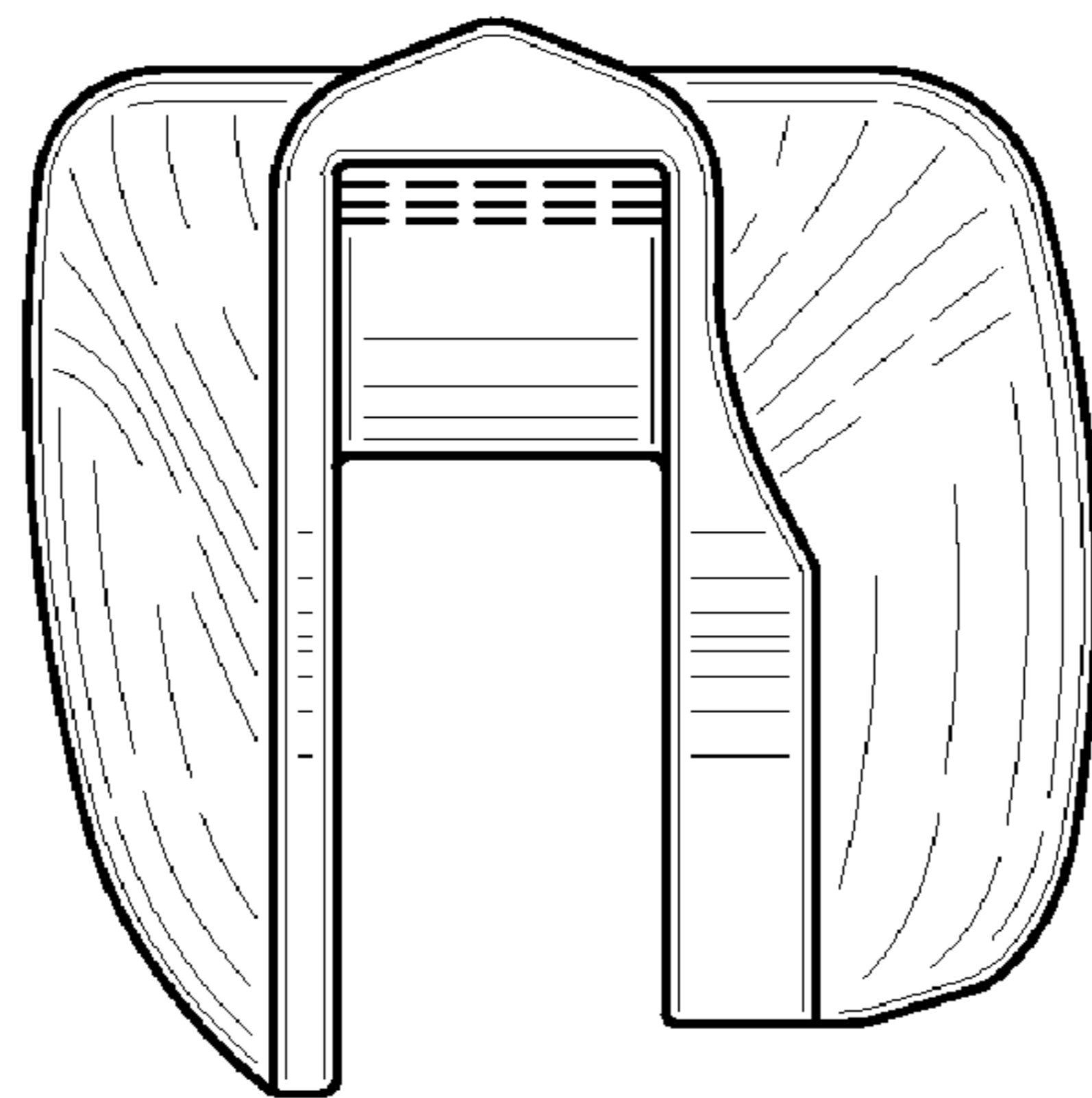


FIG. 7

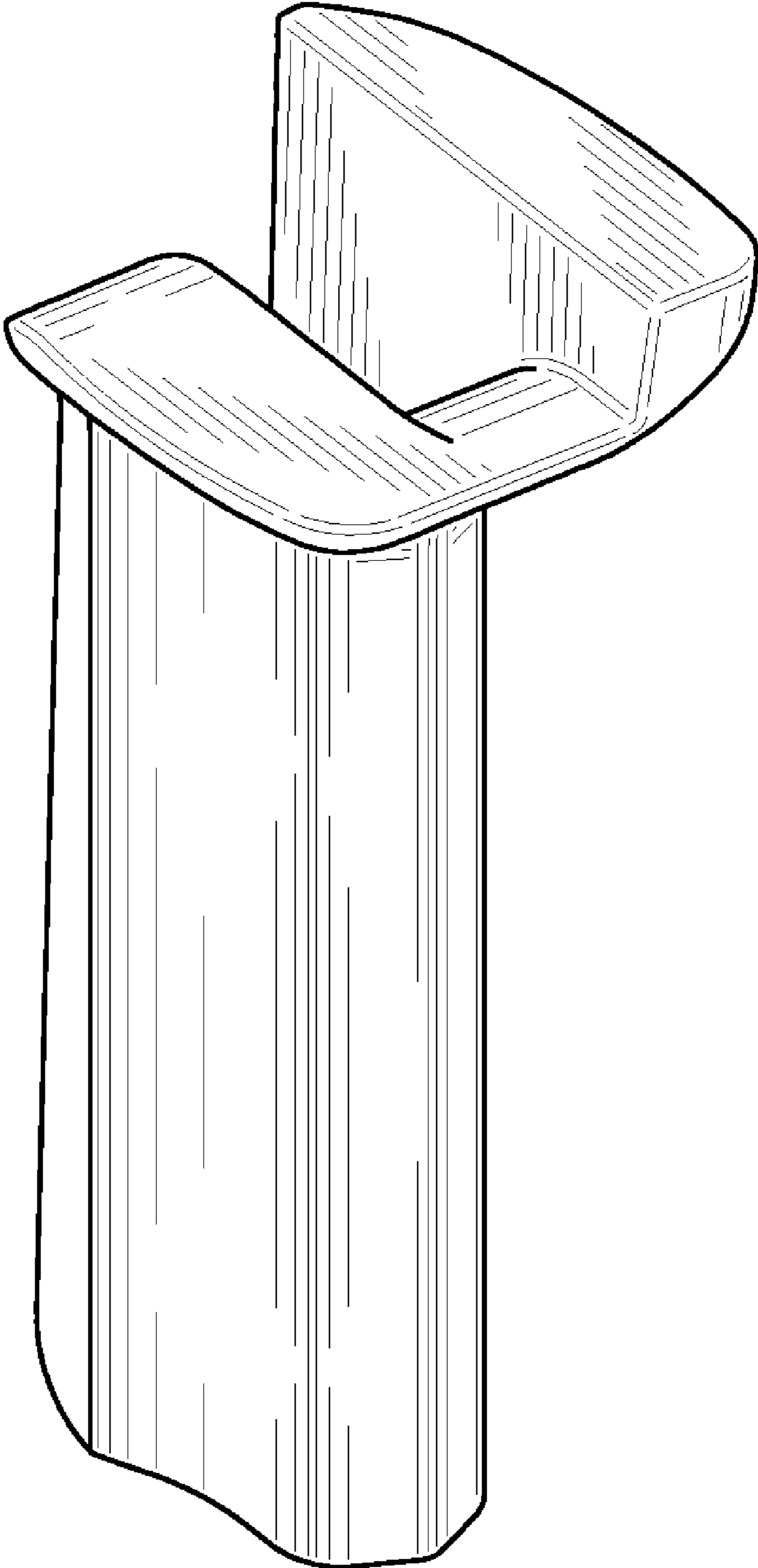


FIG. 8

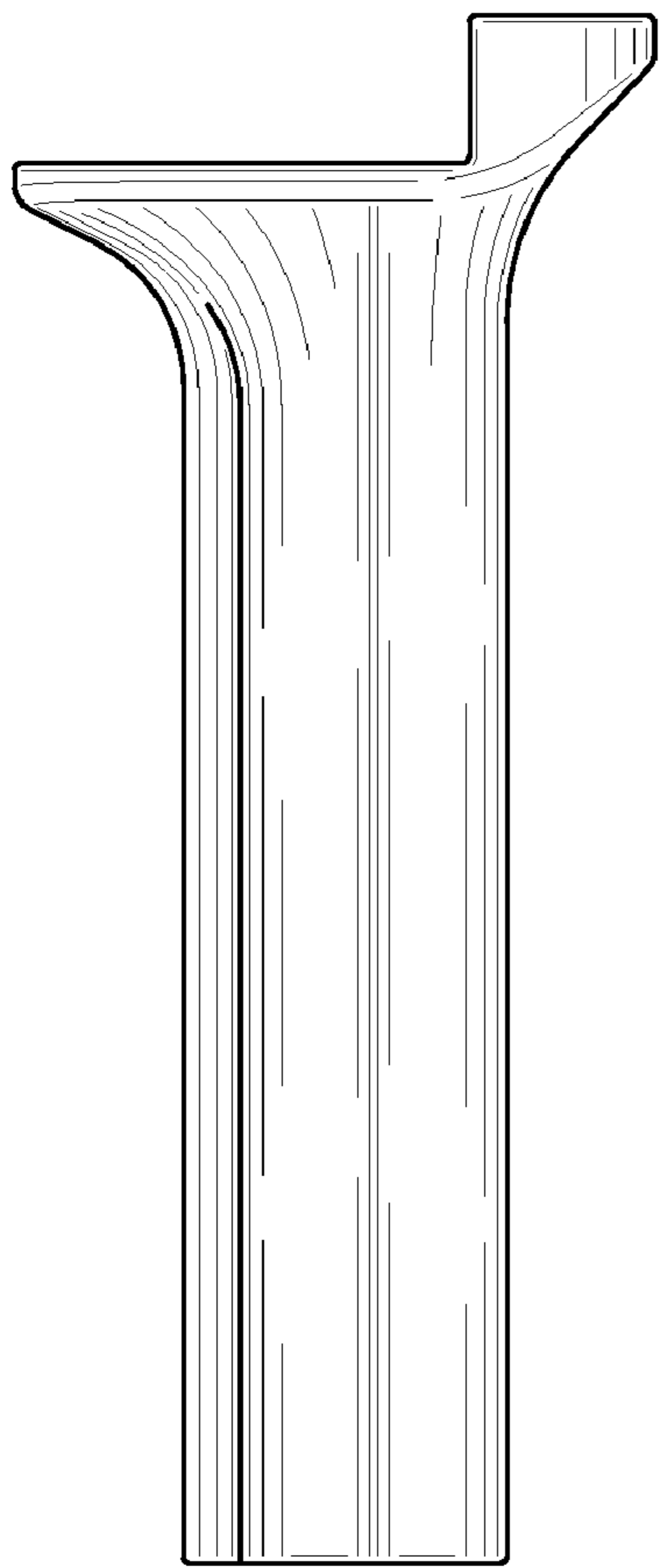


FIG. 9

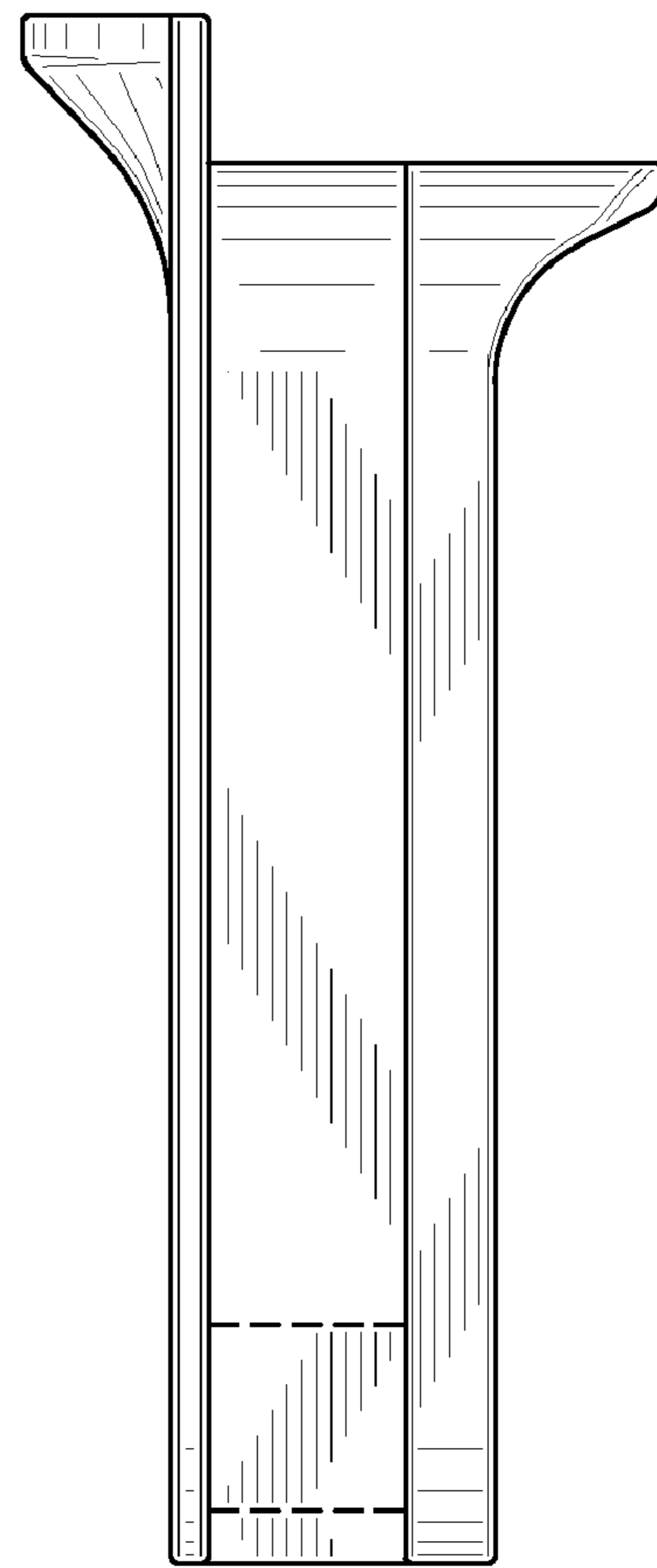


FIG. 10

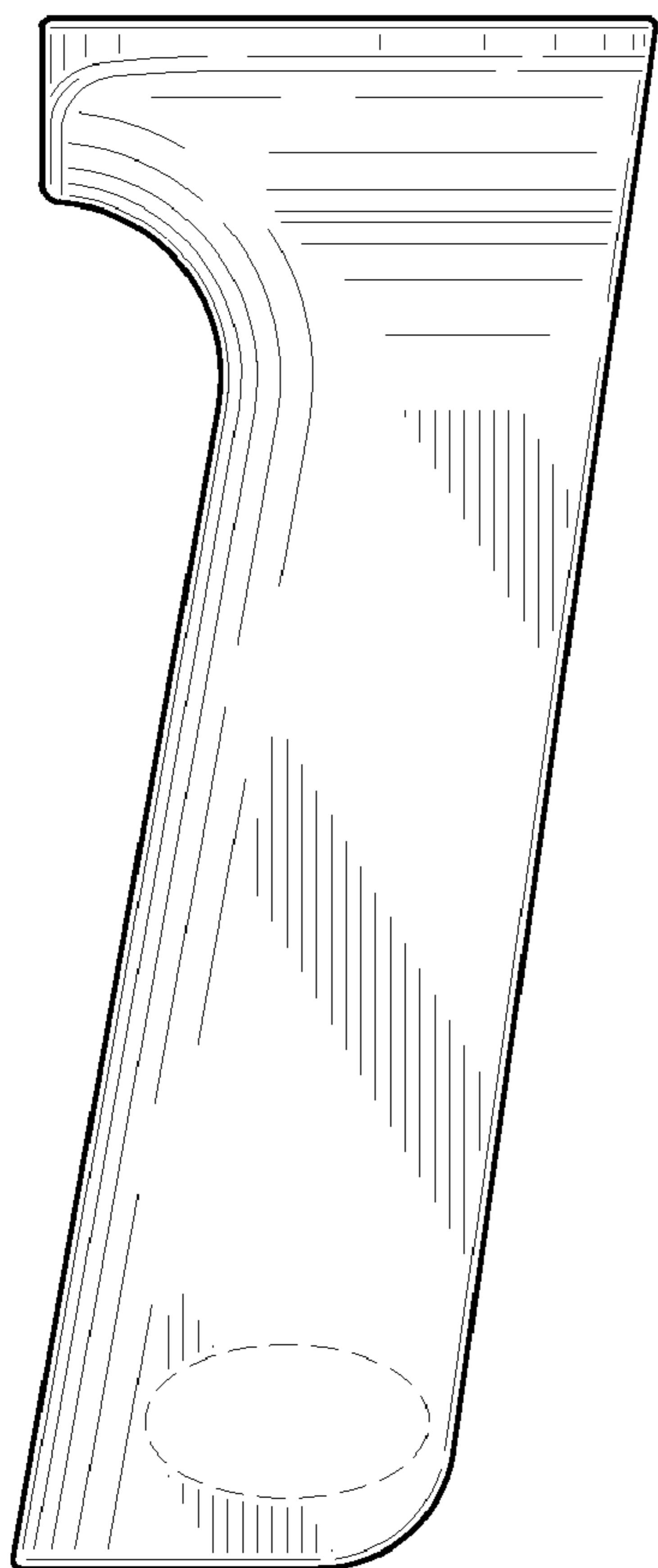


FIG. 11

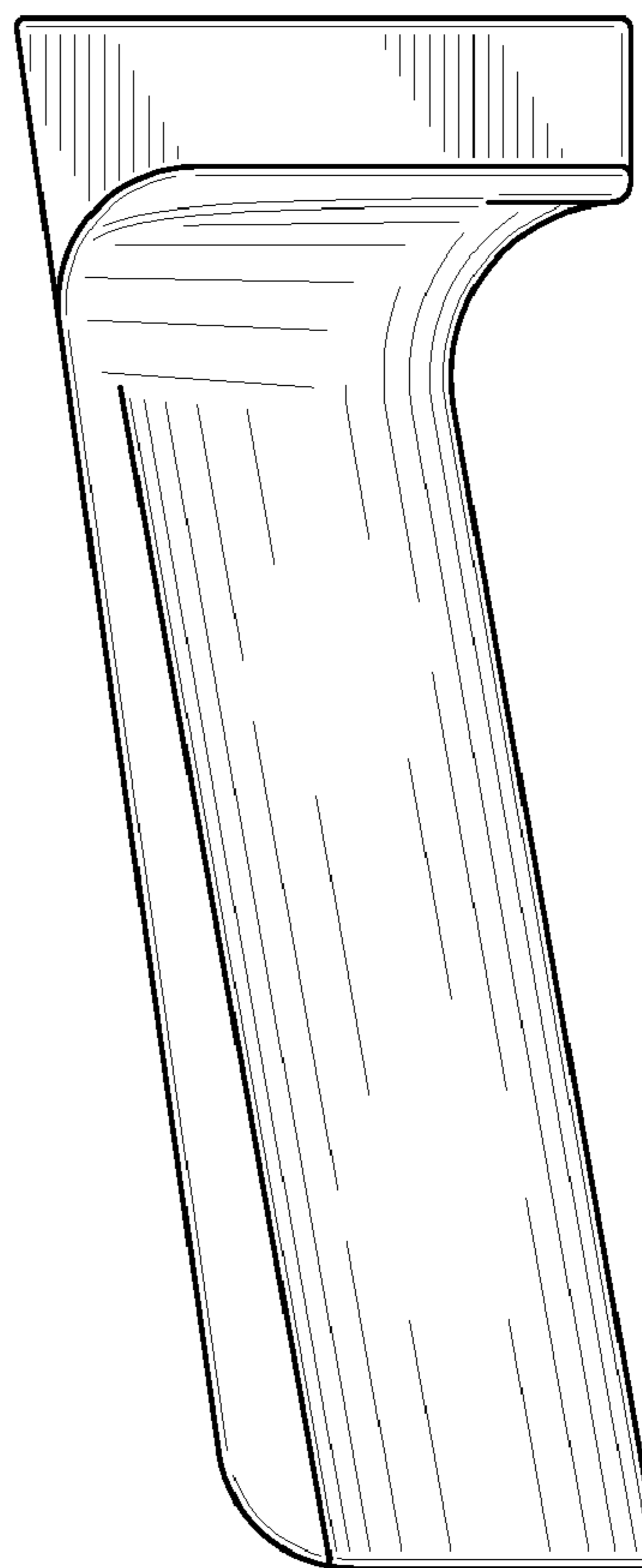


FIG. 12

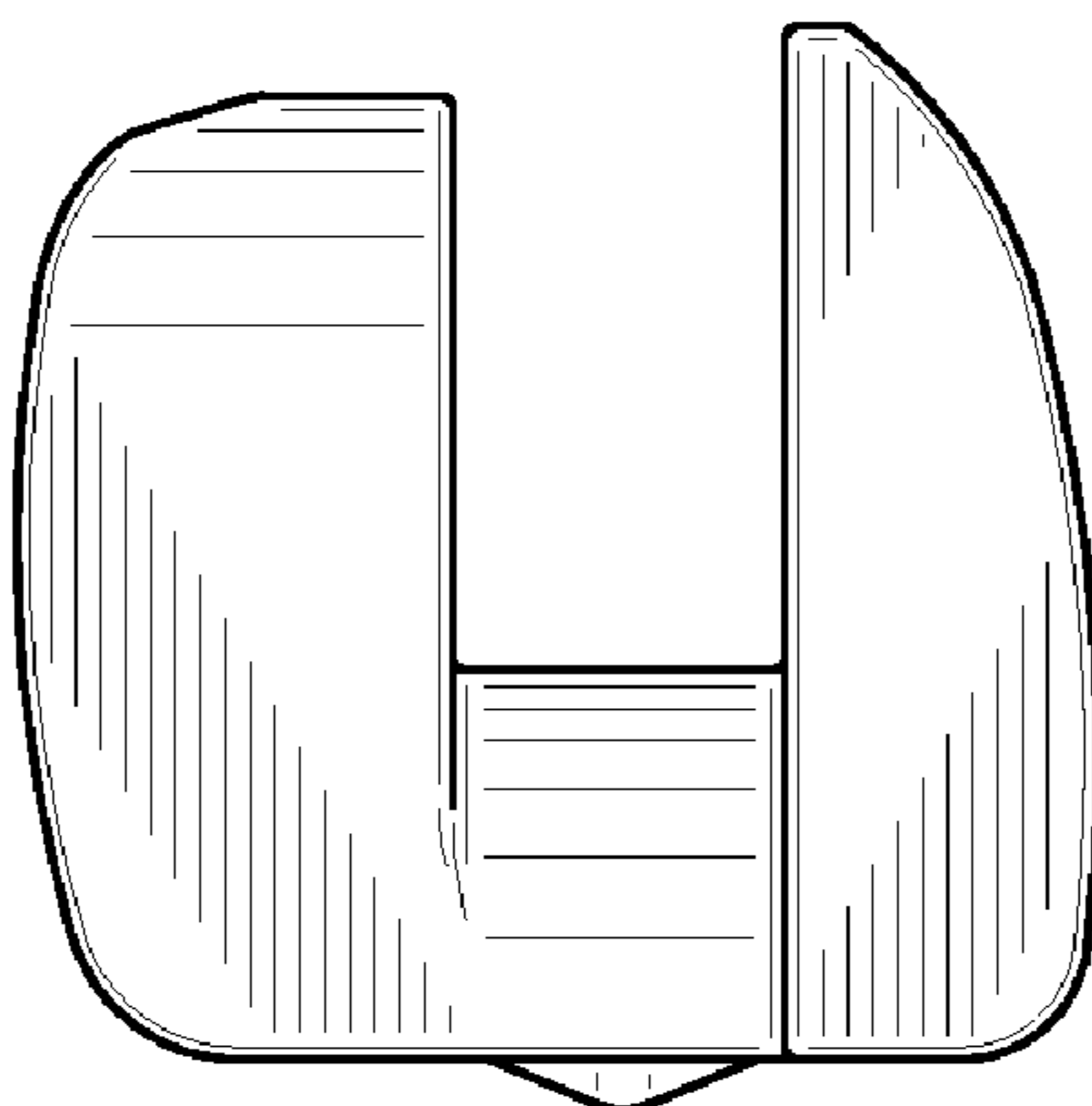


FIG. 13

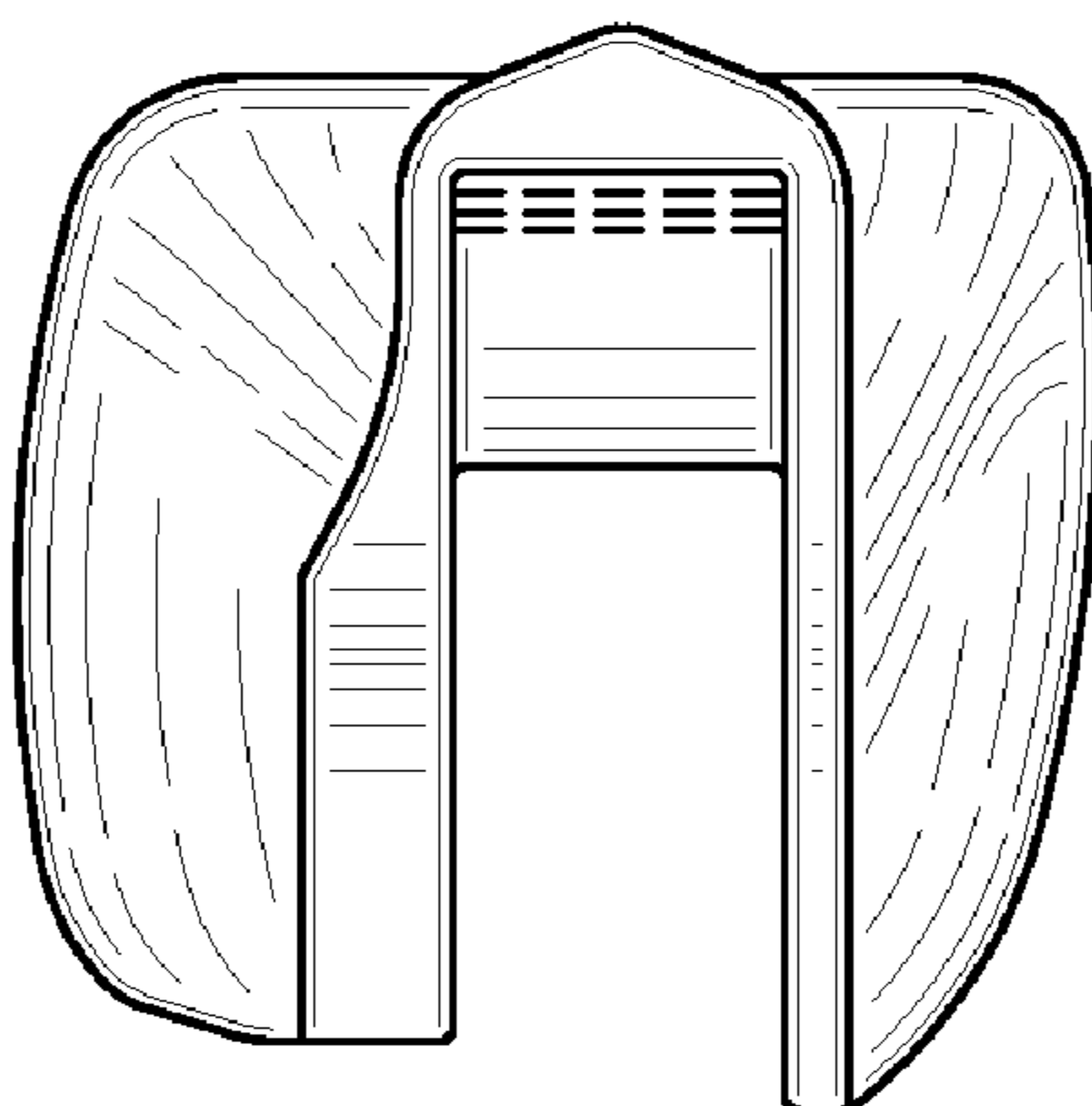


FIG. 14