

US00D639886S

(12) **United States Design Patent**
Cirjak et al.

(10) **Patent No.:** **US D639,886 S**
(45) **Date of Patent:** **** Jun. 14, 2011**

(54) **AMUSEMENT FLOAT**
(75) Inventors: **Robert Cirjak**, Bocholt (DE); **Romann Rademacher**, Bocholt (DE)
(73) Assignee: **Wibit Sports GmbH**, Bocholt (DE)
(**) Term: **14 Years**
(21) Appl. No.: **29/365,594**

D441,416 S * 5/2001 Gourchounian D21/820
D515,167 S * 2/2006 Capwell D21/835
D592,270 S * 5/2009 Cobb et al. D21/835
D608,406 S * 1/2010 Cobb et al. D21/835
2005/0284031 A1* 12/2005 Chen 52/2.11
* cited by examiner

(22) Filed: **Jul. 12, 2010**
(51) **LOC (9) Cl.** **21-03**
(52) **U.S. Cl.** **D21/811; D21/835**
(58) **Field of Classification Search** D21/811,
D21/814, 818-822, 835, 440; 472/116-117;
182/48; 482/35-36
See application file for complete search history.

Primary Examiner — Mitchell I Siegel
(74) *Attorney, Agent, or Firm* — Roberts Mlotkowski Safran & Cole, P.C.; David S. Safran

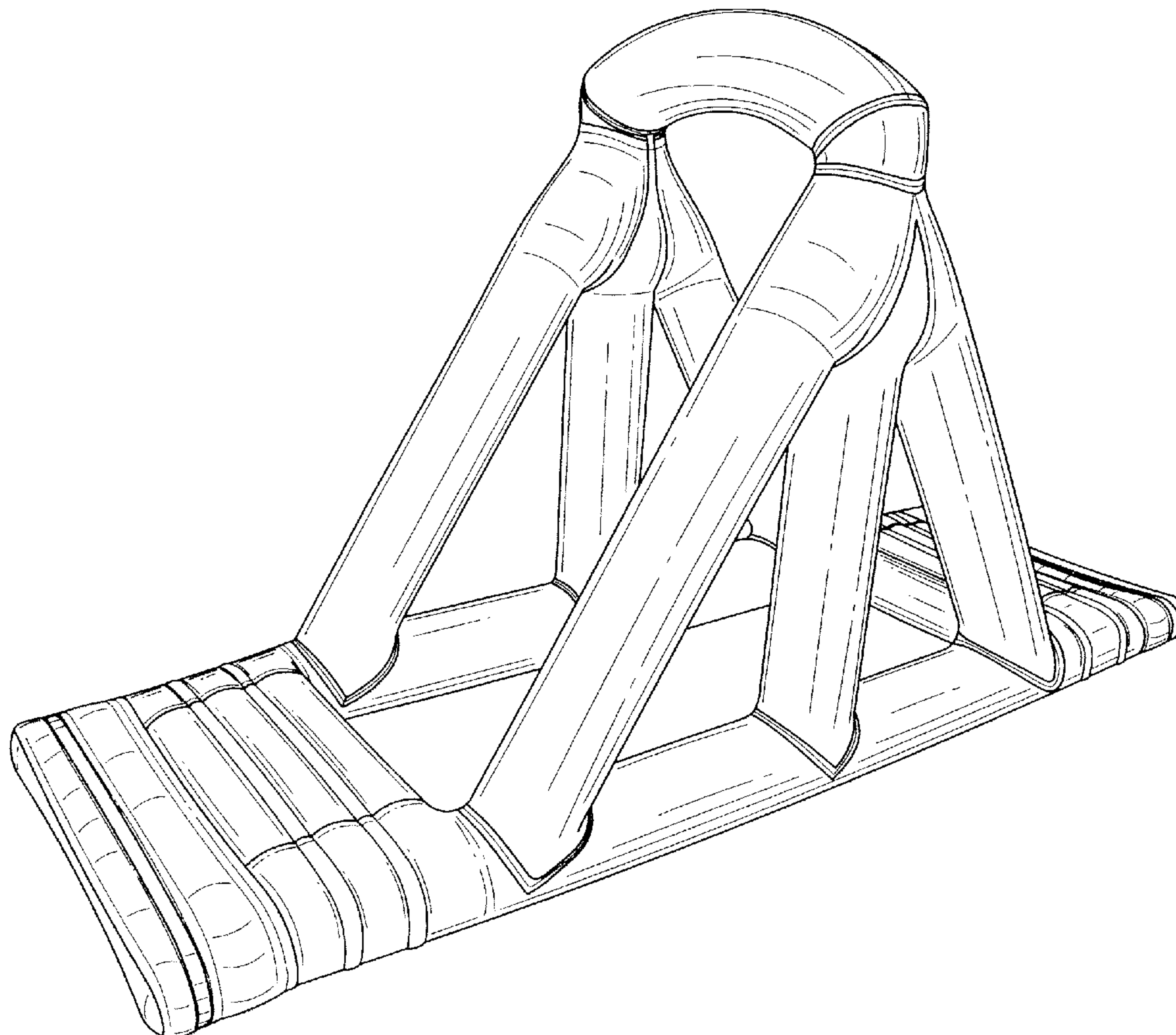
(57) **CLAIM**
The ornamental design for an amusement float, as shown in the accompanying drawings.

(56) **References Cited**
U.S. PATENT DOCUMENTS
D388,494 S * 12/1997 Liu D21/839
D389,219 S * 1/1998 Liu D21/839
D408,870 S * 4/1999 Sumner D21/440
D410,259 S * 5/1999 Sumner D21/440
5,987,822 A * 11/1999 McNiff et al. 52/2.11
D422,667 S * 4/2000 Lau D21/814

DESCRIPTION

FIG. 1 is a perspective view of our design as seen looking toward the right front corner;
FIG. 2 is a side elevational view, the design being the same from the left and right sides;
FIG. 3 is a front elevational view, the design being the same from the front and rear ends;
FIG. 4 is a top plan view of the design; and,
FIG. 5 is a bottom plan view of the design.

1 Claim, 5 Drawing Sheets



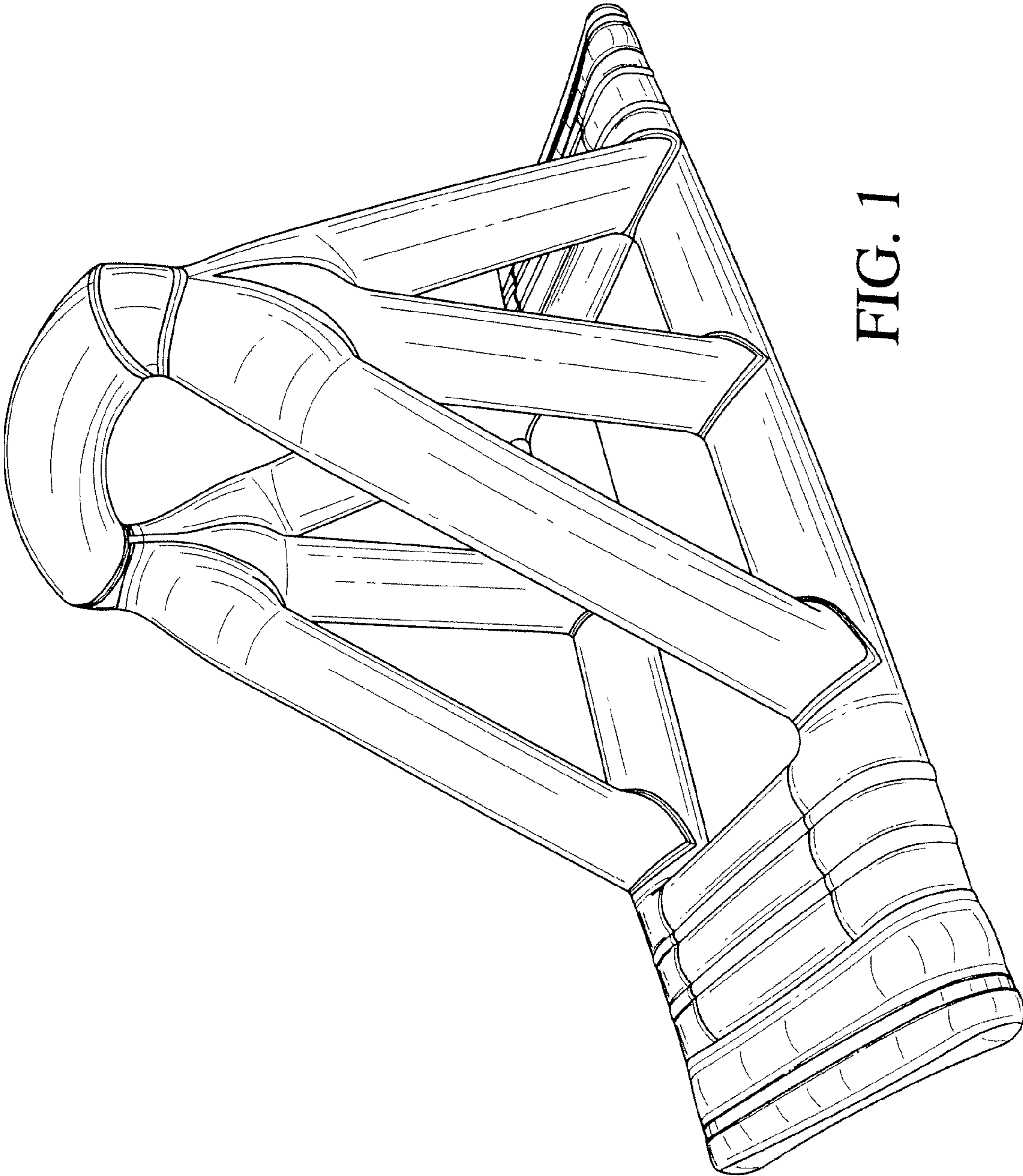


FIG. 1

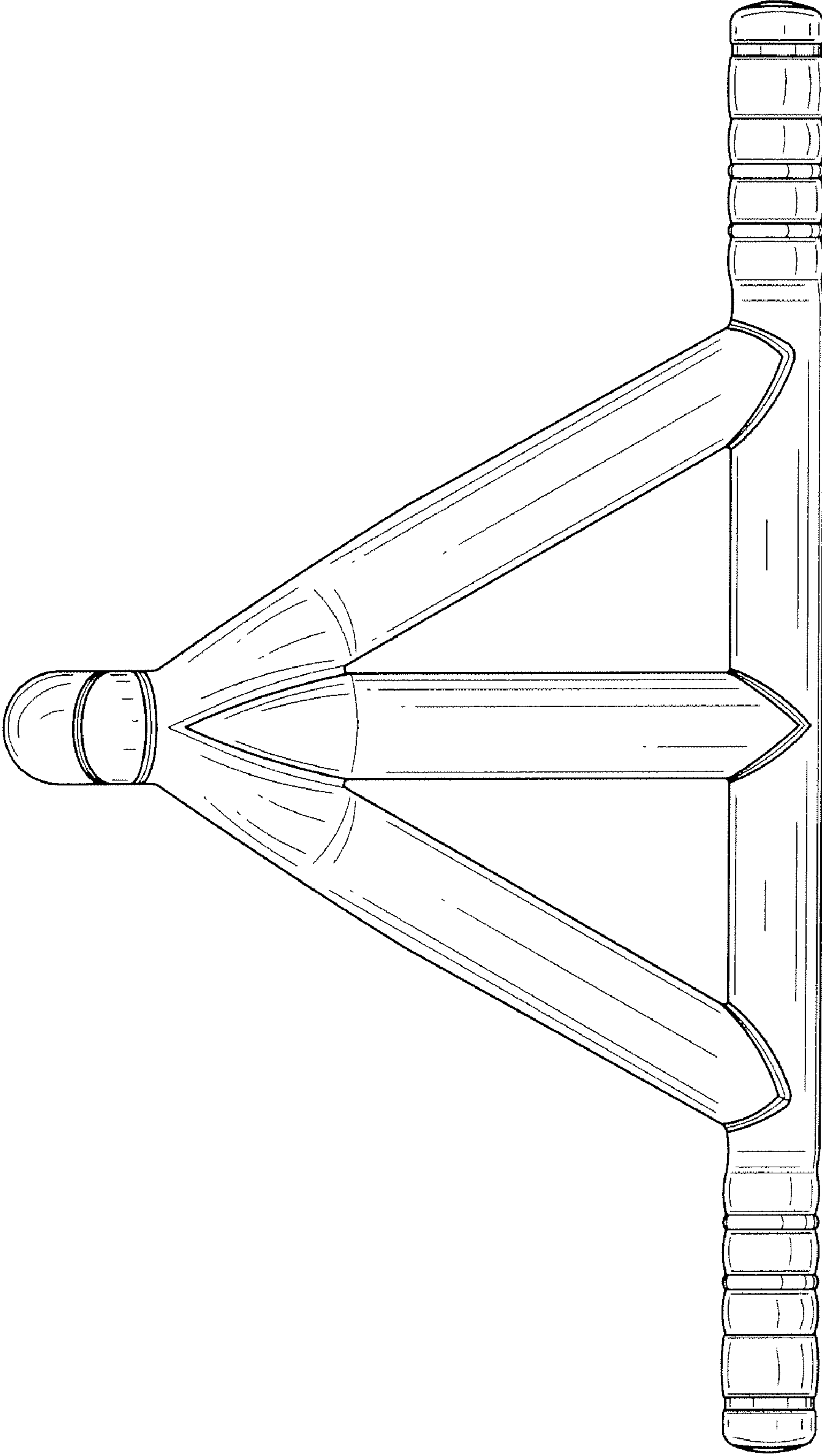


FIG. 2

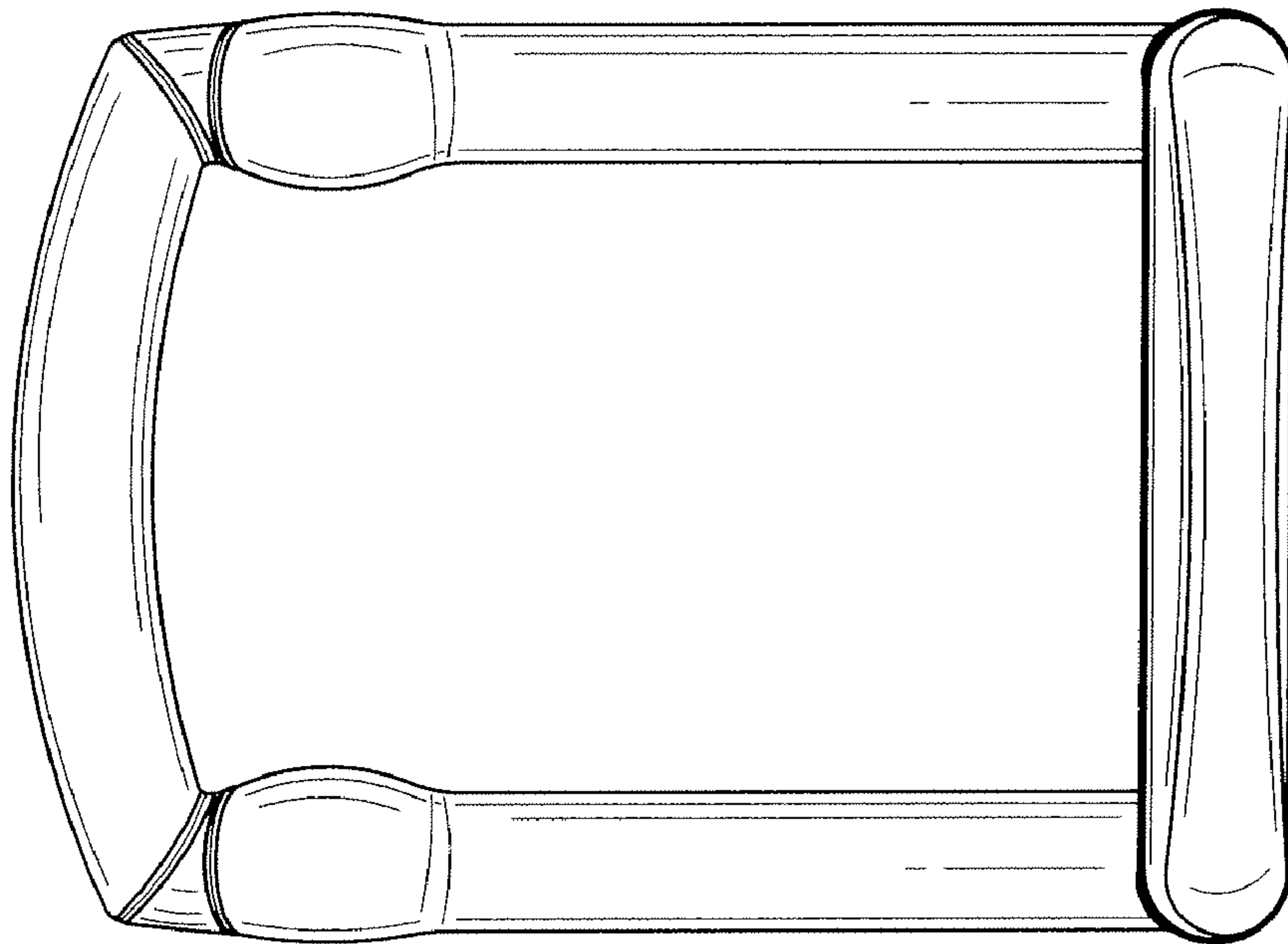


FIG. 3

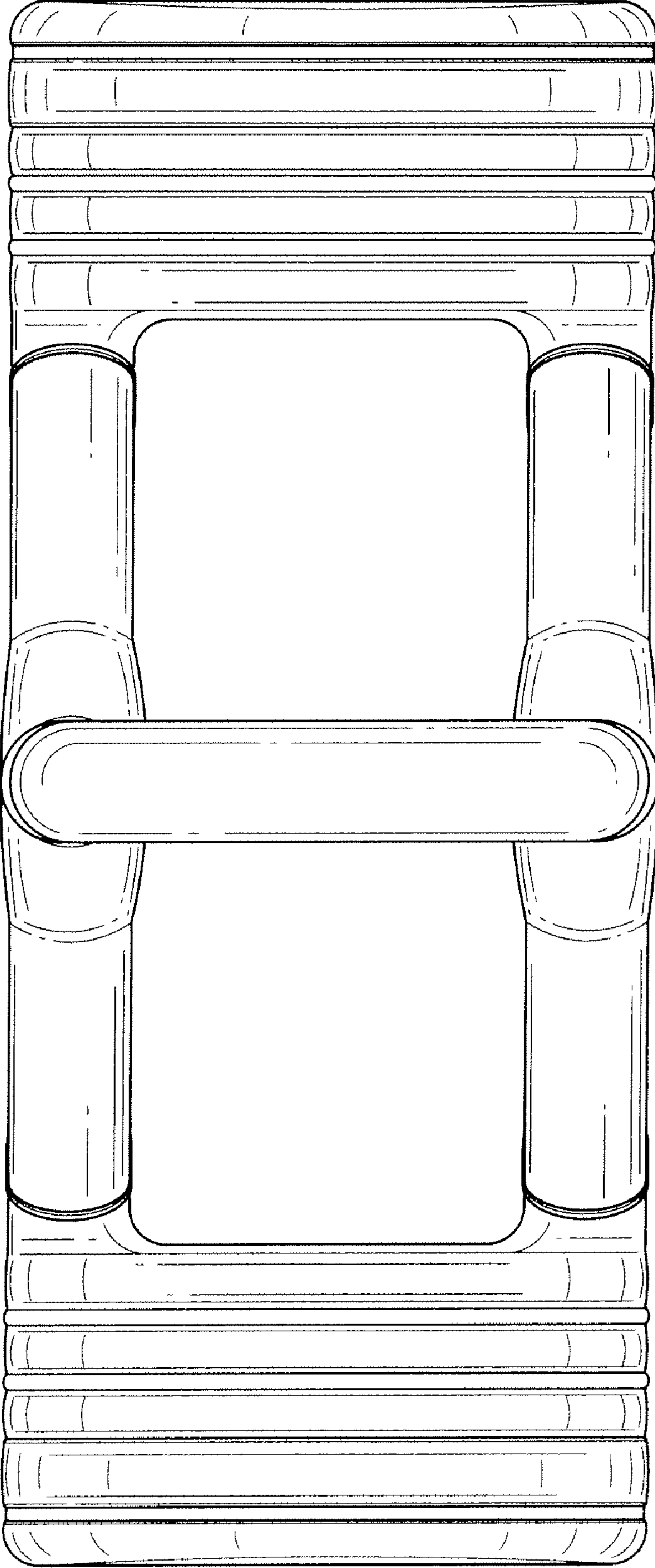


FIG. 4

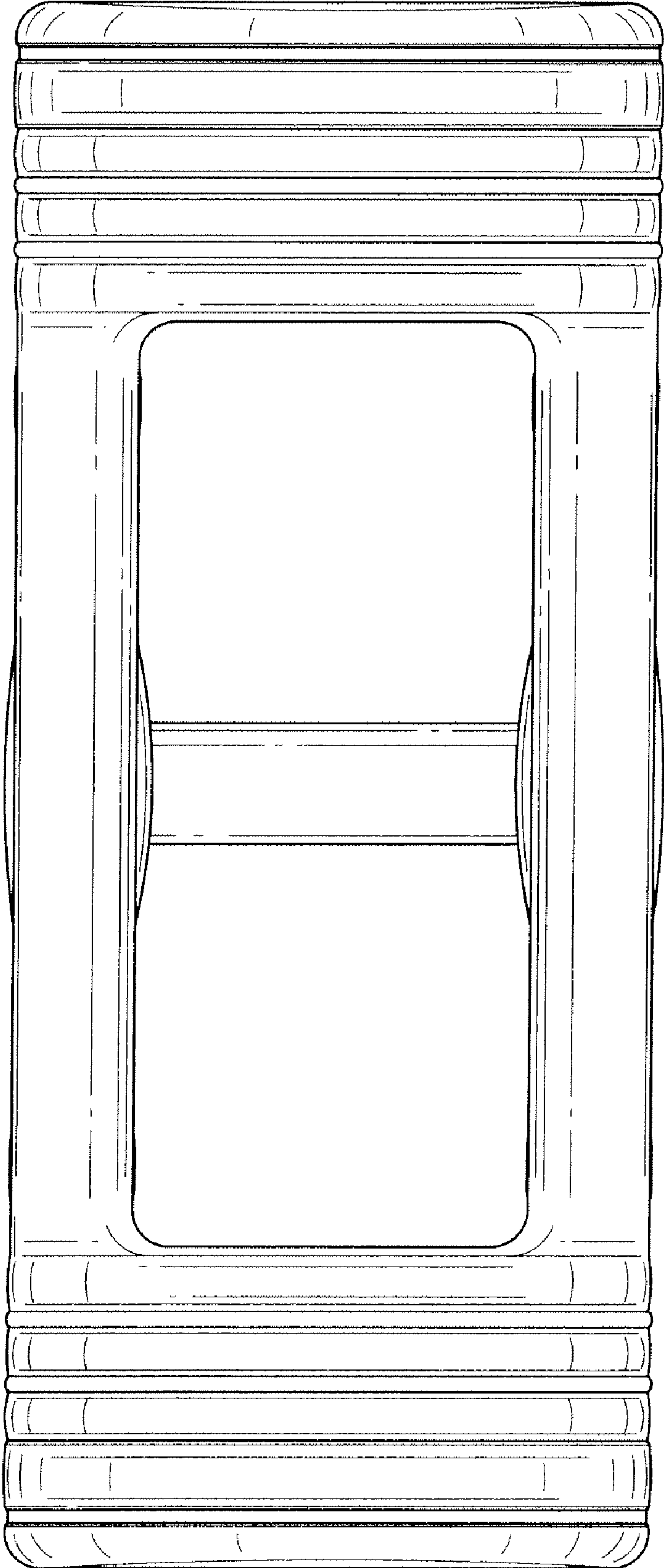


FIG. 5