



US00D639885S

(12) **United States Design Patent**  
**Jimenez**

(10) **Patent No.:** **US D639,885 S**

(45) **Date of Patent:** **\*\* Jun. 14, 2011**

(54) **MARTIAL ARTS TRAINING STAFF**

(76) Inventor: **Gabriel Jimenez**, Haledon, NJ (US)

(\*\*) Term: **14 Years**

(21) Appl. No.: **29/340,692**

(22) Filed: **Jul. 23, 2009**

(51) **LOC (9) Cl.** ..... **21-02**

(52) **U.S. Cl.** ..... **D21/798**

(58) **Field of Classification Search** ..... D21/662,  
D21/679, 694, 726, 797-798; 482/82, 83,  
482/93, 106, 108, 132, 148; D22/117, 118;  
43/1, 6; 463/47.2, 47.4, 47.5, 47.6

See application file for complete search history.

(56) **References Cited**

U.S. PATENT DOCUMENTS

1,714,391	A	5/1929	McWhirter	
2,637,555	A	5/1953	Klaudt	
D220,485	S	4/1971	Hanke	
D234,309	S	2/1975	Buchner	
4,155,551	A *	5/1979	Smith	463/47.5
4,345,757	A *	8/1982	Lo Voi	482/132
4,518,162	A *	5/1985	Oates	482/93
D289,538	S	4/1987	Wilson	
4,720,933	A *	1/1988	Stude	43/6
5,029,847	A *	7/1991	Ross	482/148
5,120,261	A *	6/1992	Dietzman	446/473
5,149,092	A	9/1992	Parson	
5,163,242	A *	11/1992	Smith	43/6
D351,878	S	10/1994	Globus	
D365,861	S	1/1996	Moss, Jr.	
5,524,886	A *	6/1996	Kim	463/47.5
D373,611	S *	9/1996	Thompson	D22/118
D385,604	S *	10/1997	Moore	D21/679
D407,770	S	4/1999	Thomas	
D428,636	S	7/2000	Weaver	
6,196,921	B1 *	3/2001	Larson	463/47.2
D440,273	S	4/2001	Hindi	
6,550,178	B1 *	4/2003	Rogers	43/6
6,599,222	B2 *	7/2003	Wince	482/106

D517,135 S 3/2006 Klein  
D520,593 S 5/2006 Anderson  
7,625,289 B1 \* 12/2009 Fagliarone ..... 463/47.2

\* cited by examiner

*Primary Examiner* — Susan E Krakower

(74) *Attorney, Agent, or Firm* — Quick Patents, Inc.; Kevin Prince

(57) **CLAIM**

I claim the ornamental design for a martial arts training staff, as shown and described.

**DESCRIPTION**

FIG. 1 is a perspective view of a martial arts training staff, showing my new design in an assembled configuration;

FIG. 2 is a left-side elevational view of FIG. 1, the right-side elevational view being a mirror image thereof;

FIG. 3 is an enlarged exploded left-side elevational view thereof, showing the invention in a disassembled configuration comprising three separable shafts, a cap, and a spear section, the right-side elevational view being a mirror image thereof;

FIG. 4 is an enlarged front elevational view of one of the shafts, taken along lines 4—4 of FIG. 3, the front elevational view of the other shafts being identical thereto;

FIG. 5 is an enlarged rear elevational view of one of the shafts, taken along lines 5—5 of FIG. 3;

FIG. 6 is an enlarged rear elevational view of the cap, taken along lines 6—6 of FIG. 3, the shafts and spear section being omitted for clarity of illustration;

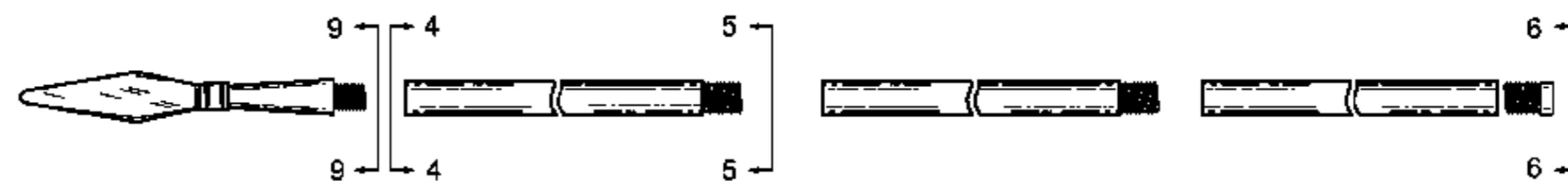
FIG. 7 is an enlarged top plan view of the spear section, the bottom plan view being a mirror image thereof, the shafts and cap being omitted for clarity of illustration;

FIG. 8 is an enlarged front elevational view thereof; and,

FIG. 9 is an enlarged rear elevational view of the spear section, taken along lines 9—9 of FIG. 3.

The broken lines in FIGS. 4, 5 and 9 depict environmental elements that form no part of the claimed design.

**1 Claim, 2 Drawing Sheets**



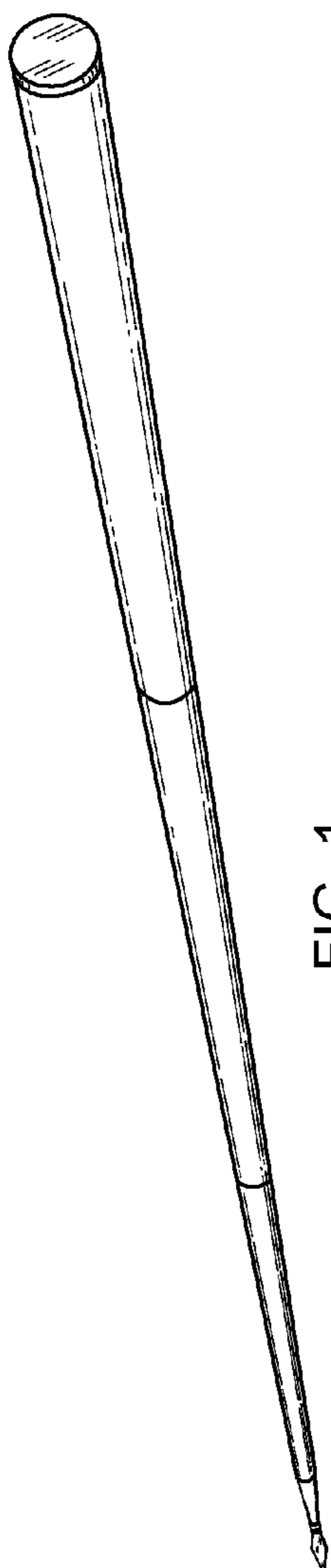


FIG. 1



FIG. 2

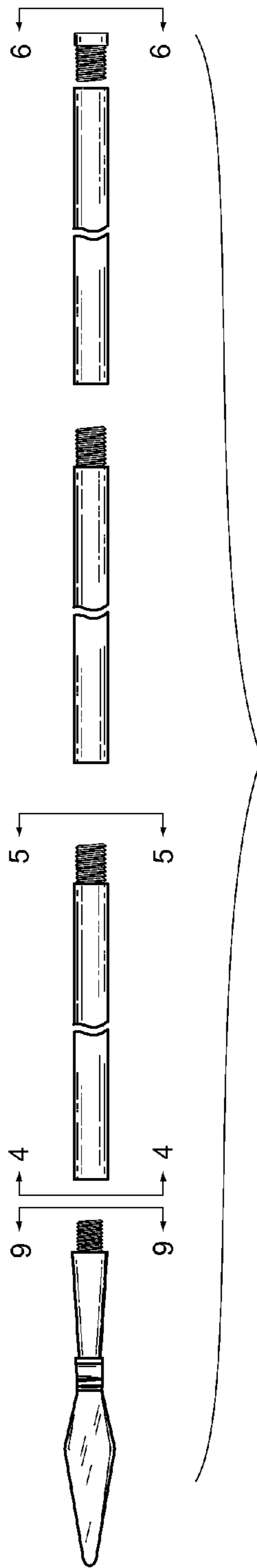


FIG. 3



FIG. 4

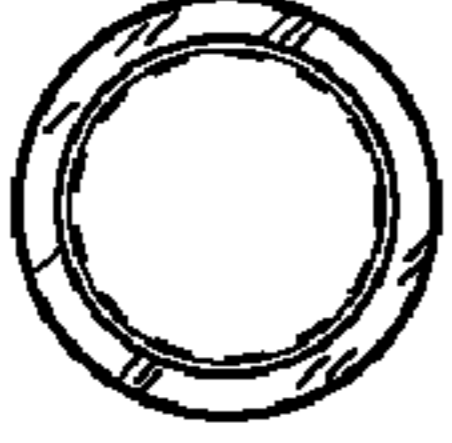


FIG. 5

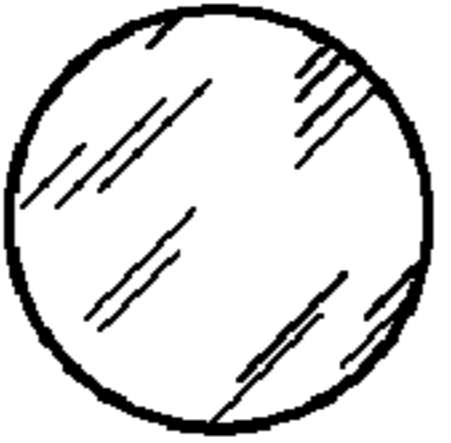


FIG. 6

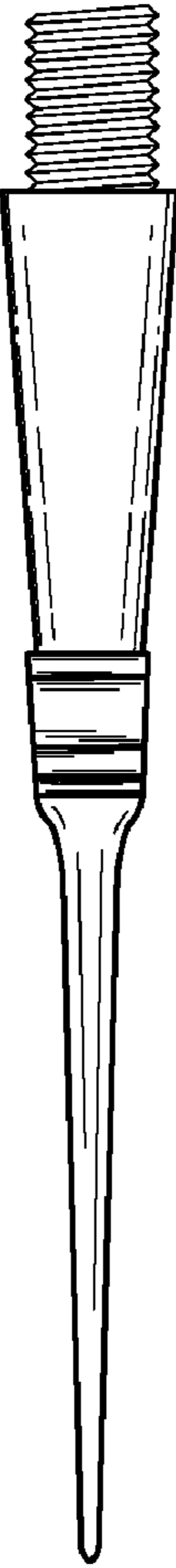


FIG. 7



FIG. 8

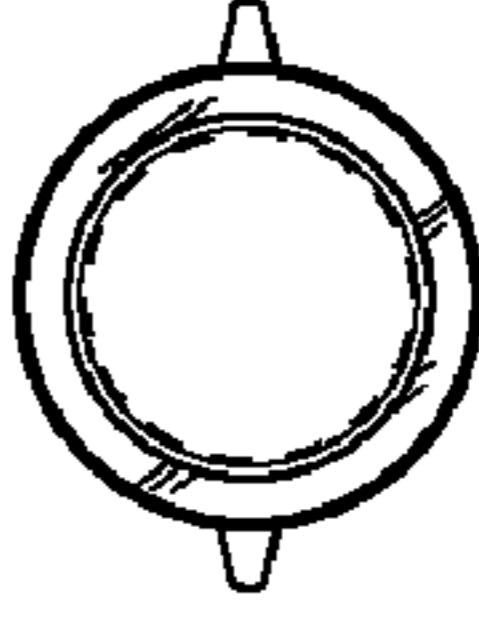


FIG. 9