



US00D639880S

(12) **United States Design Patent**
Roach et al.

(10) **Patent No.:** **US D639,880 S**

(45) **Date of Patent:** **** Jun. 14, 2011**

(54) **GOLF CLUB HEAD**

(75) Inventors: **Ryan L. Roach**, Carlsbad, CA (US);
Joshua G. Breier, Vista, CA (US);
James G. Lewis, Carlsbad, CA (US);
John Wooster, Winnetka, IL (US);
Thomas W. Preece, San Diego, CA (US)

(73) Assignee: **Cobra Golf Incorporated**, Carlsbad,
CA (US)

(**) Term: **14 Years**

(21) Appl. No.: **29/366,309**

(22) Filed: **Jul. 22, 2010**

(51) **LOC (9) Cl.** **21-02**

(52) **U.S. Cl.** **D21/747**

(58) **Field of Classification Search** D21/747-751,
D21/759; 473/324-331, 350

See application file for complete search history.

(56) **References Cited**

U.S. PATENT DOCUMENTS

D387,113 S *	12/1997	Burrows	D21/748
D406,294 S *	3/1999	Burrows	D21/748
D411,272 S *	6/1999	Burrows	D21/748
D429,298 S *	8/2000	Butler	D21/747
D528,620 S *	9/2006	Kohno	D21/759
D539,862 S *	4/2007	Nunez et al.	D21/748
D553,699 S *	10/2007	Nunez et al.	D21/747
D554,212 S *	10/2007	Nunez et al.	D21/747
D593,627 S *	6/2009	Kim et al.	D21/747

* cited by examiner

Primary Examiner — Mitchell Siegel

(74) *Attorney, Agent, or Firm* — Knobbe Martens Olson & Bear, LLP

(57) **CLAIM**

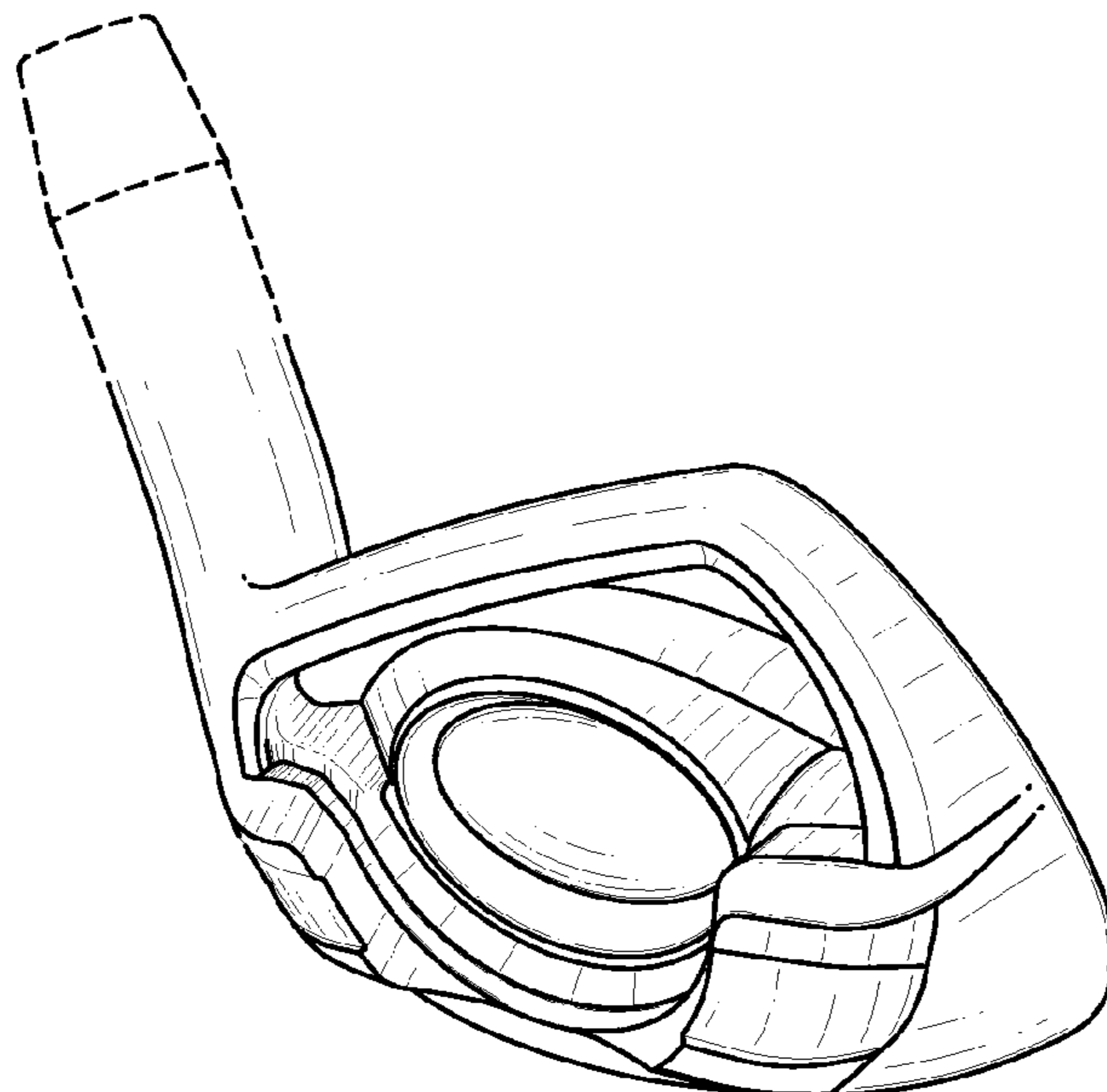
The ornamental design for a golf club head, as shown and described.

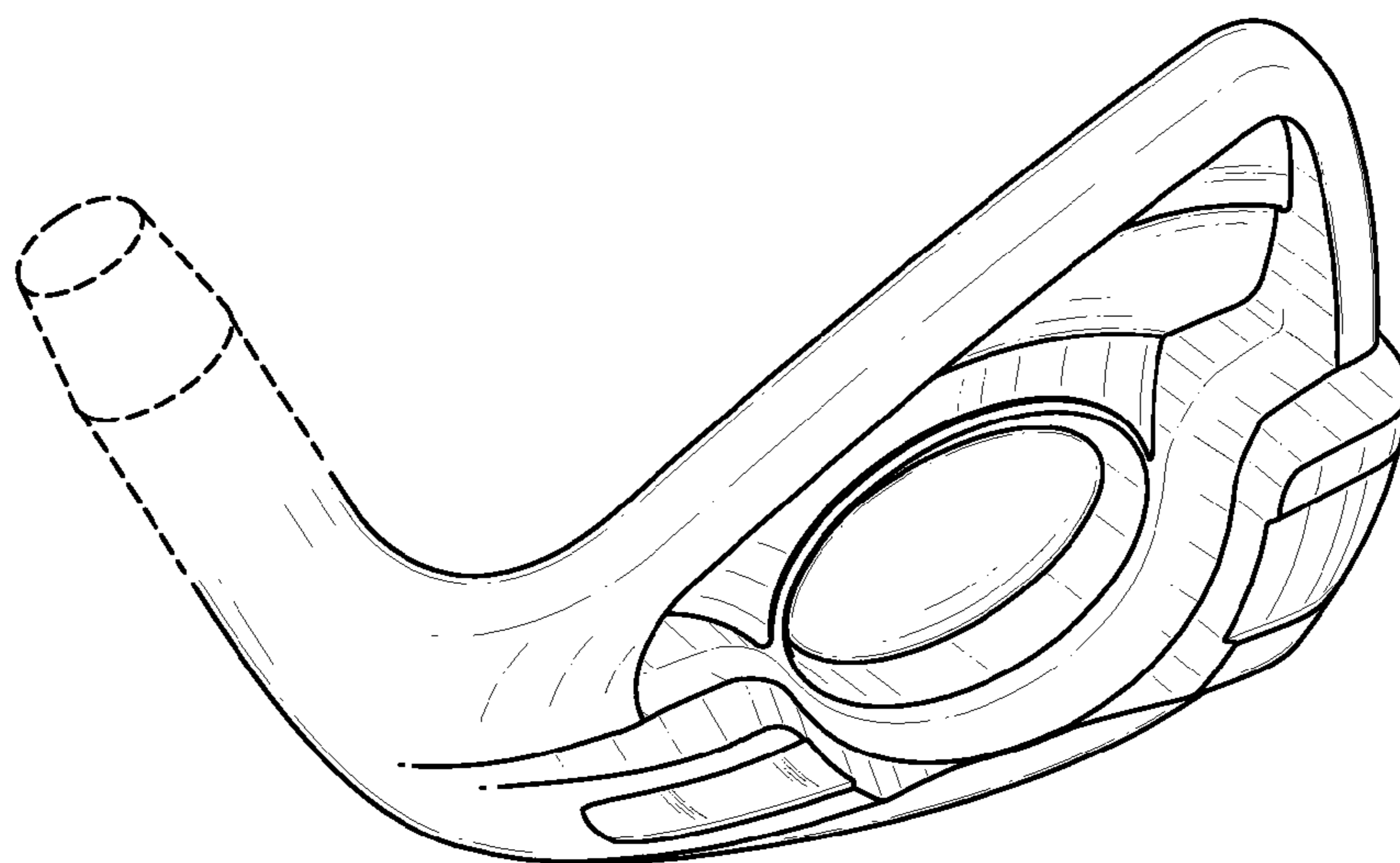
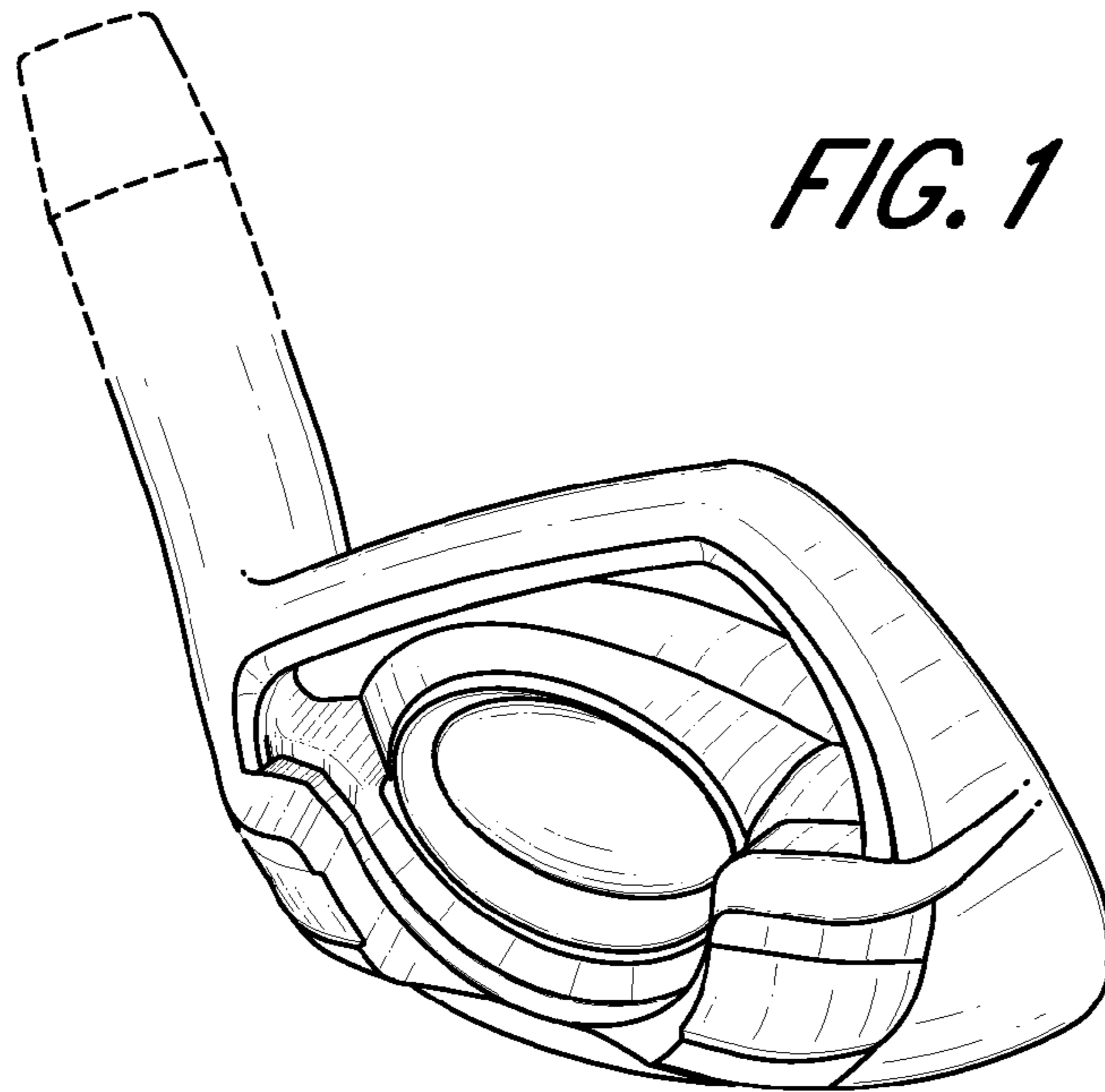
DESCRIPTION

FIG. 1 is a first perspective view of an embodiment of a golf club head according to the present design;
 FIG. 2 is a second perspective view of the embodiment of FIG. 1;
 FIG. 3 is a back elevational view of the embodiment of FIG. 1;
 FIG. 3A is a cross-sectional view of the embodiment of FIG. 1, corresponding to section 3A of FIG. 3;
 FIG. 3B is a cross-sectional view of the embodiment of FIG. 1, corresponding to section 3B of FIG. 3;
 FIG. 3C is a cross-sectional view of the embodiment of FIG. 1, corresponding to section 3C of FIG. 3;
 FIG. 4 is a front elevational view of the embodiment of FIG. 1;
 FIG. 5 is a top-plan view of the embodiment of FIG. 1;
 FIG. 6 is a bottom-plan view of the embodiment of FIG. 1;
 FIG. 7 is a left-side elevational view of the embodiment of FIG. 1; and,
 FIG. 8 is a right-side elevational view of the embodiment of FIG. 1.

Phantom lining, where utilized, is for illustrative purposes only and forms no part of the claimed design.
 The cross-hatched portions of FIGS. 3A and 3B are for illustrative purposes only and the cross-hatched portion of the golf club forms no part of the claimed design.

1 Claim, 6 Drawing Sheets





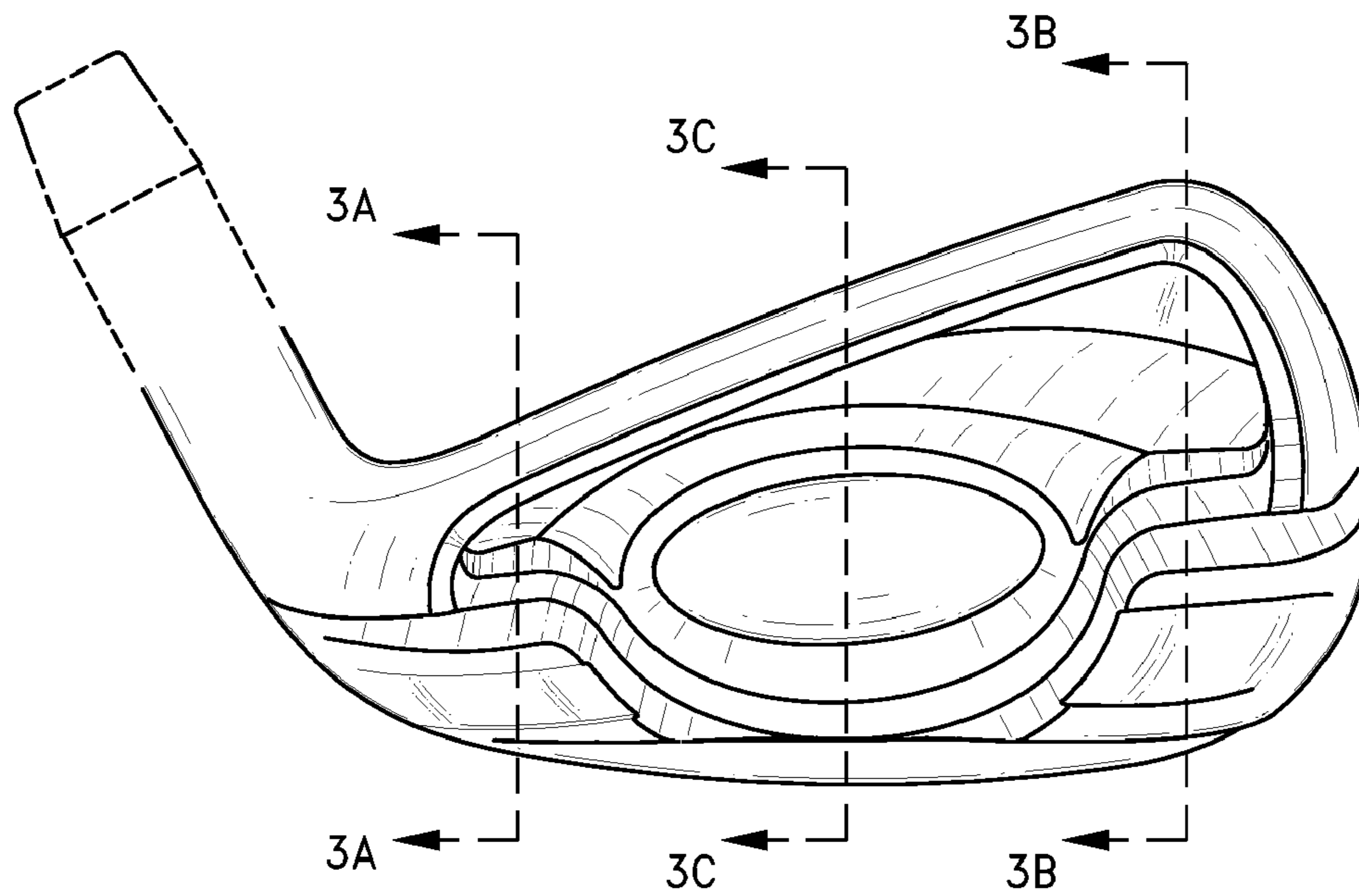


FIG. 3

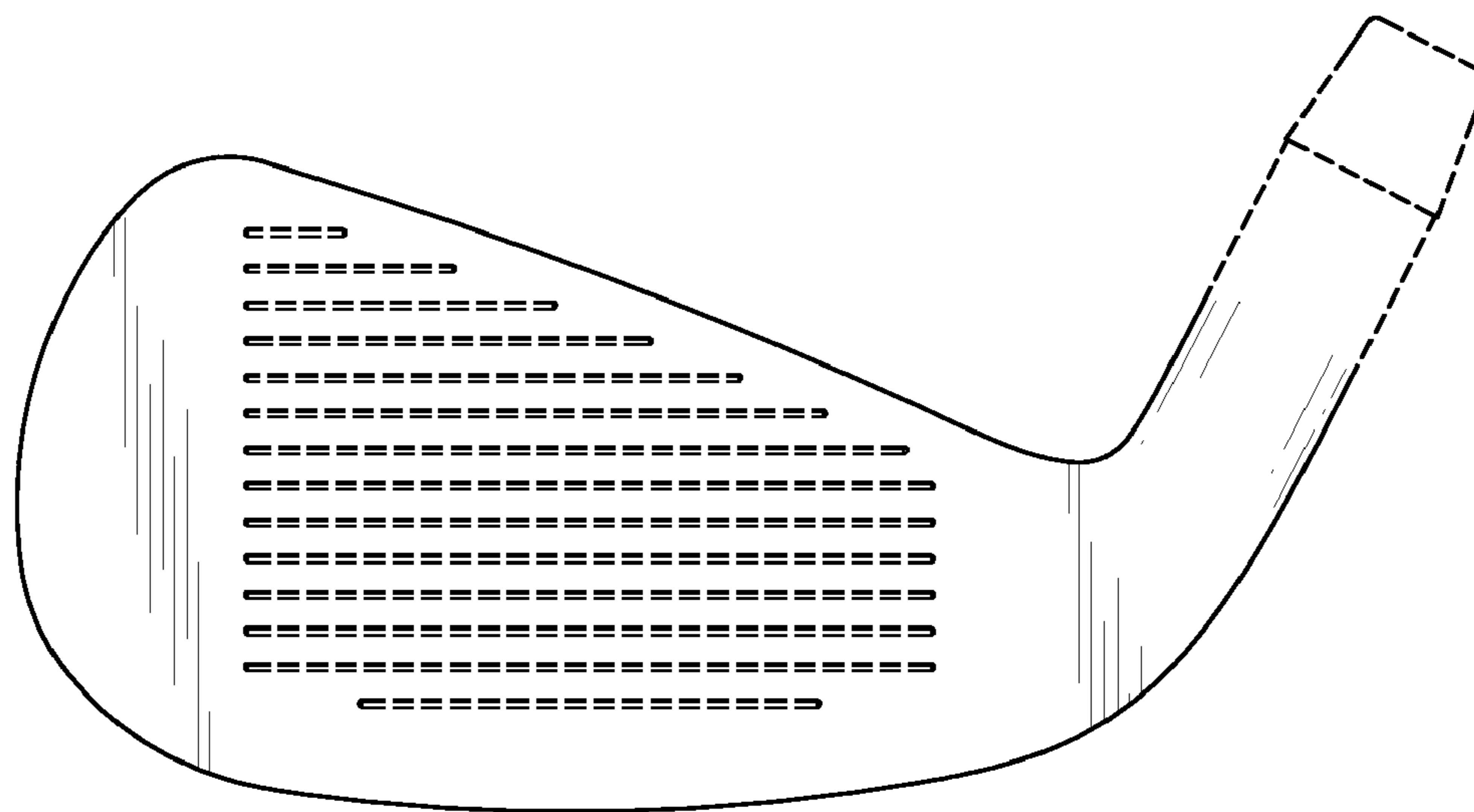


FIG. 4

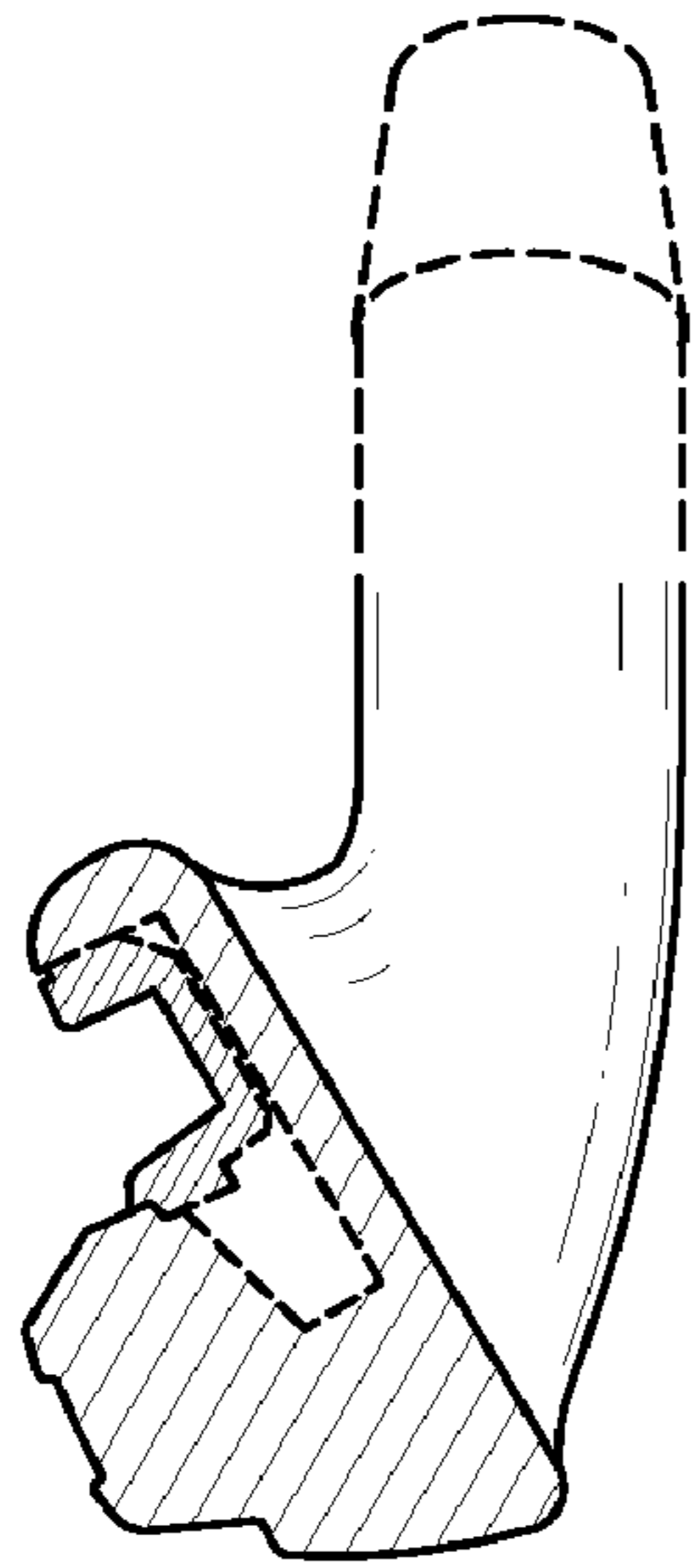


FIG. 3A

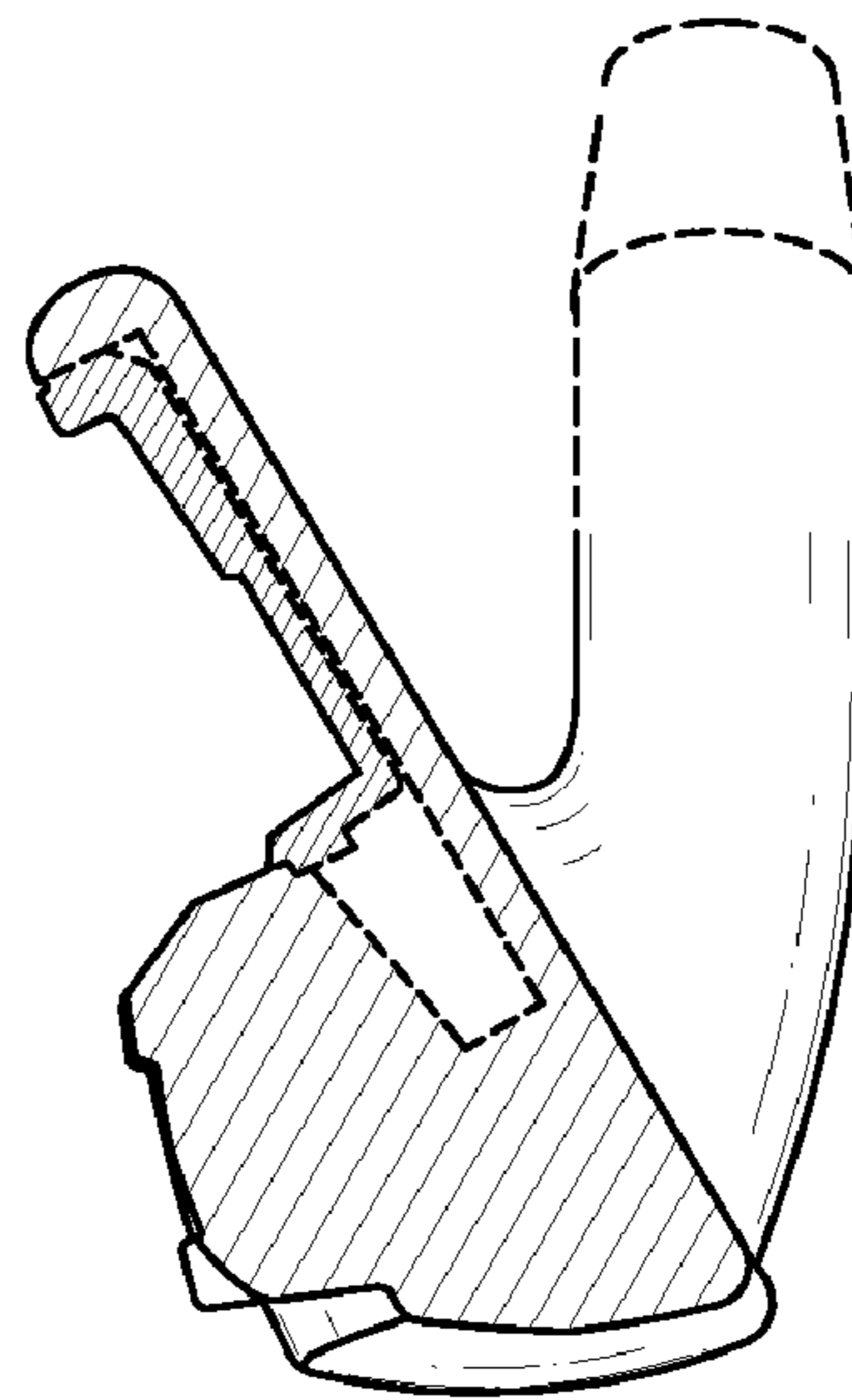


FIG. 3B

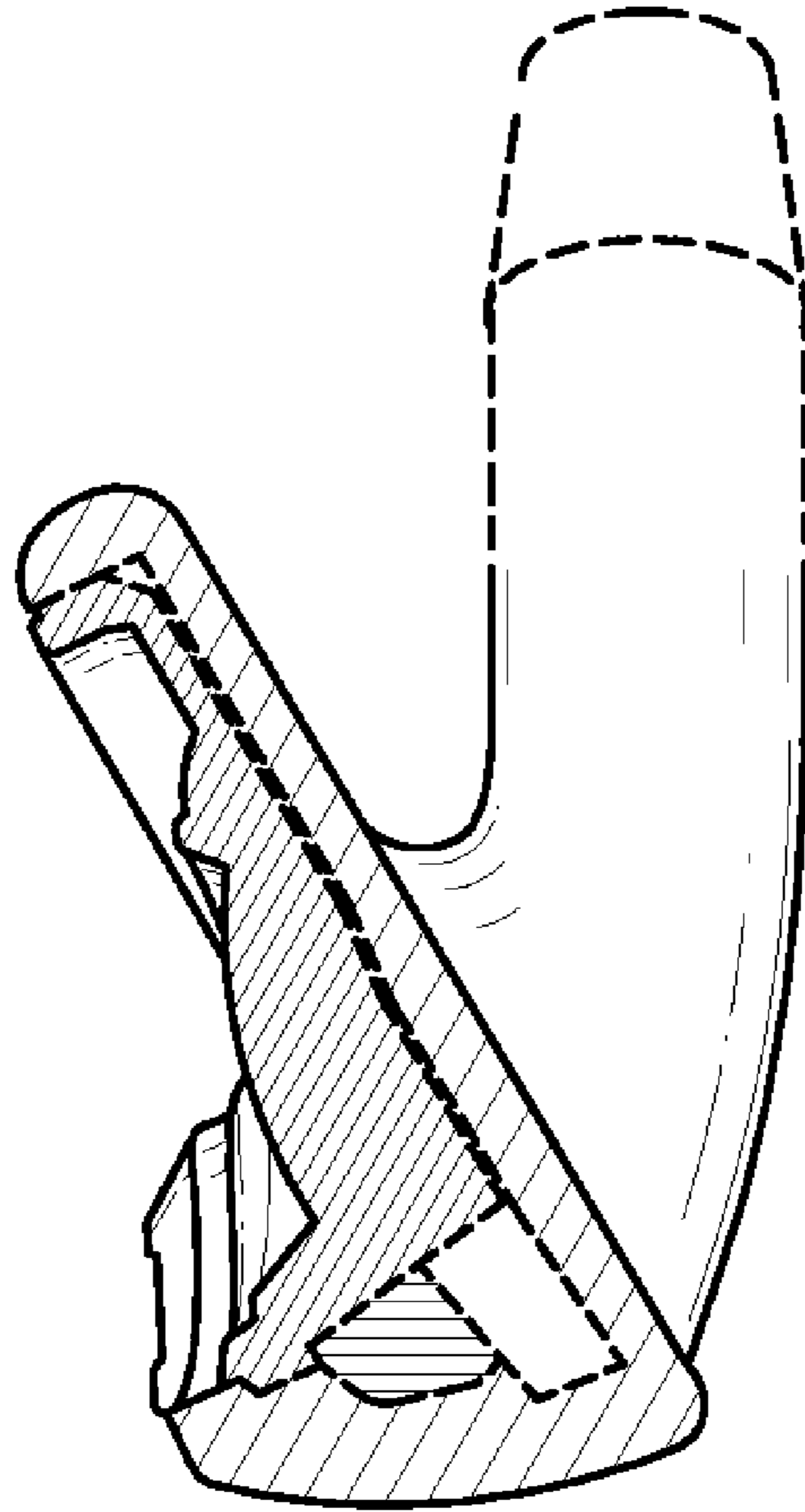


FIG. 3C

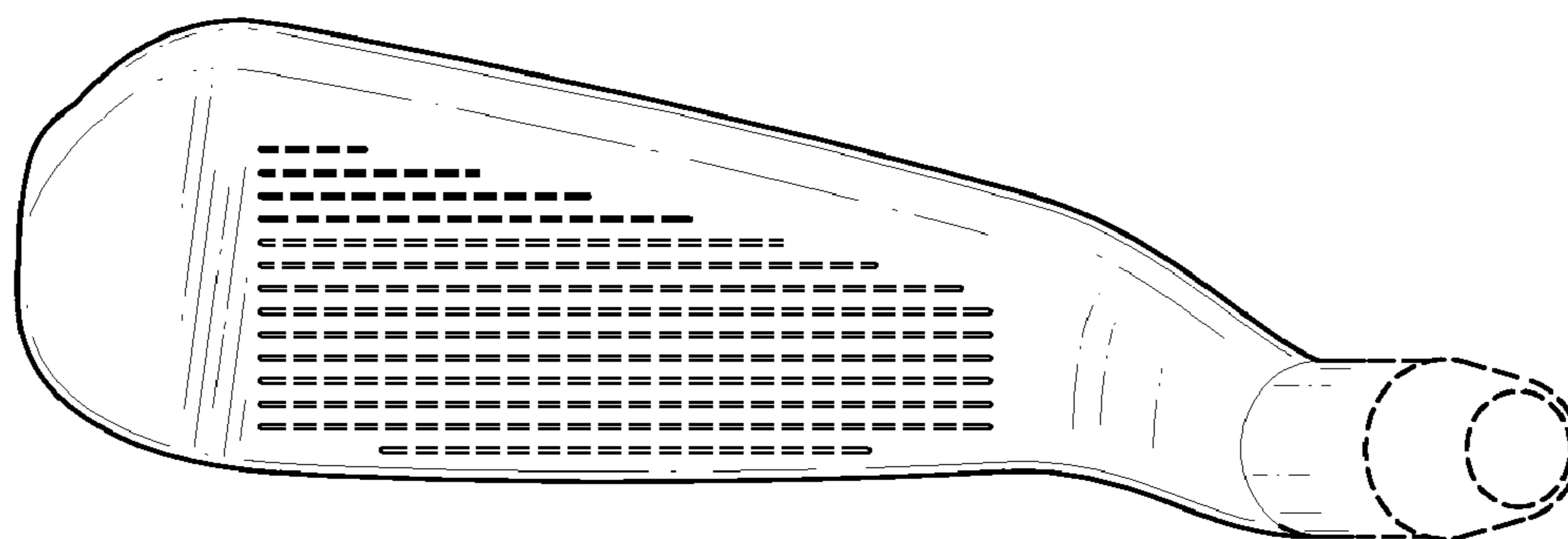


FIG. 5

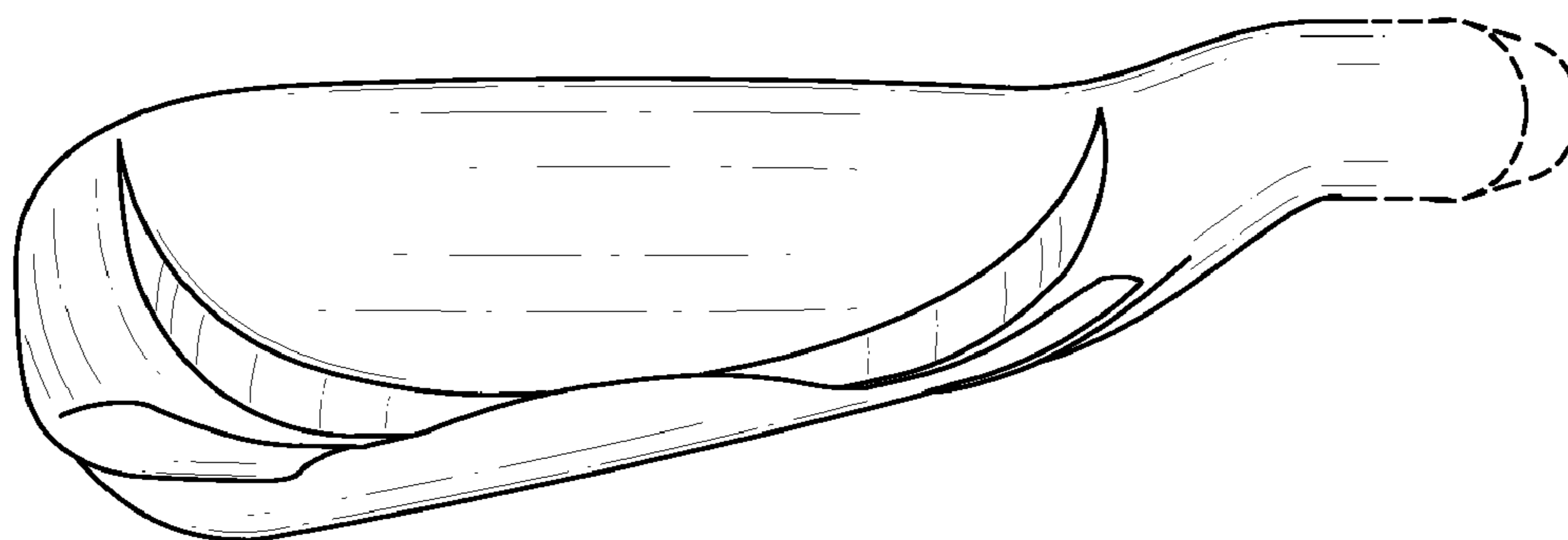


FIG. 6

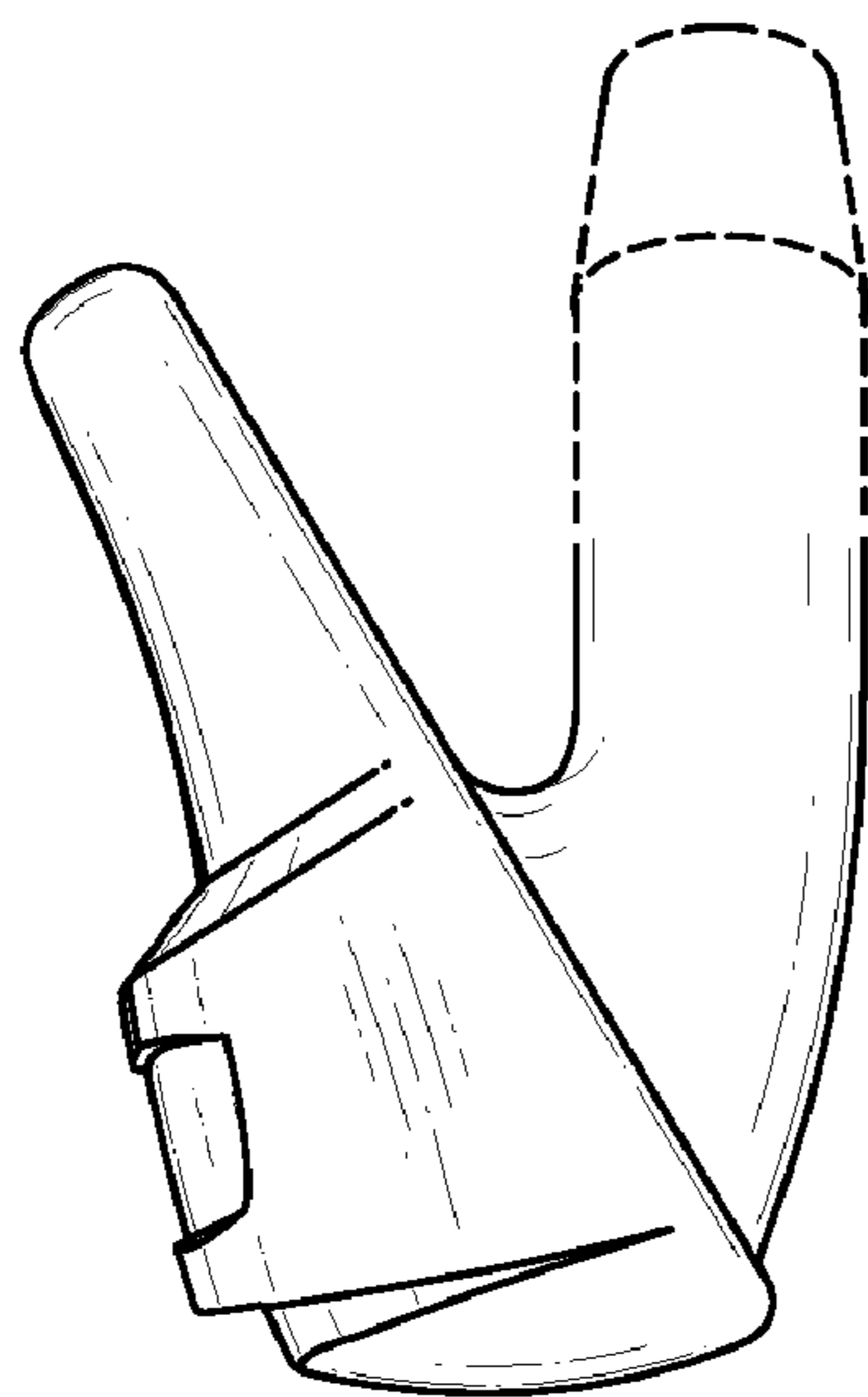


FIG. 7

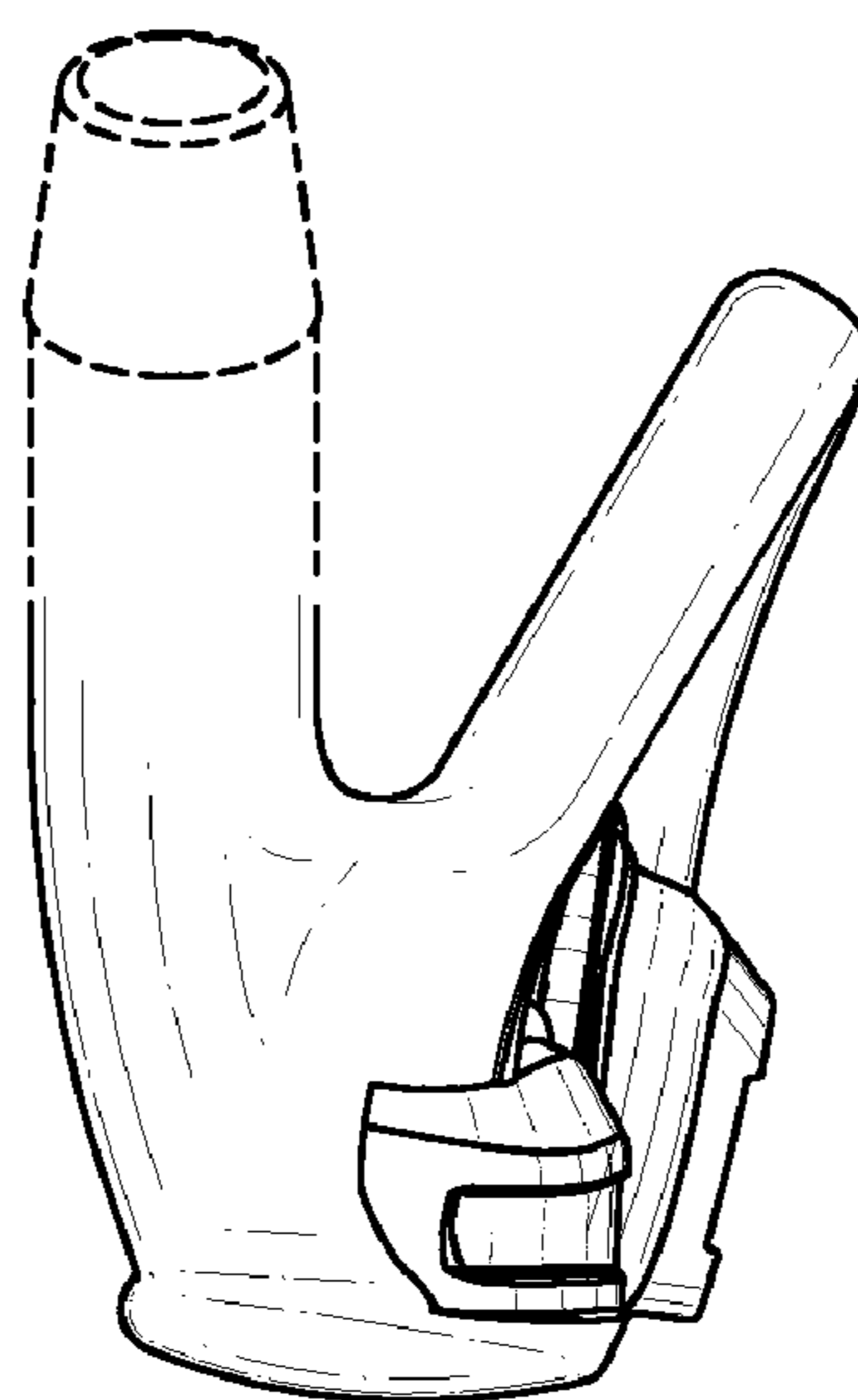


FIG. 8