



US00D639879S

(12) **United States Design Patent**  
**Lee**

(10) **Patent No.:** **US D639,879 S**  
(45) **Date of Patent:** **\*\* Jun. 14, 2011**

(54) **GOLF PUTTER HEAD**

(76) Inventor: **Won-Sang Lee**, Gyeonggi-do (KR)

(\*\*) Term: **14 Years**

(21) Appl. No.: **29/365,276**

(22) Filed: **Jul. 7, 2010**

(30) **Foreign Application Priority Data**

Jun. 16, 2010 (KR) ..... 30-2010-0026504

(51) **LOC (9) Cl.** ..... **21-02**

(52) **U.S. Cl.** ..... **D21/736**

(58) **Field of Classification Search** ..... D21/736-746;  
473/324-331, 340-341, 251-256  
See application file for complete search history.

(56) **References Cited**

**U.S. PATENT DOCUMENTS**

D245,721 S \* 9/1977 Koch ..... D21/738  
D447,526 S \* 9/2001 Mathews, Jr. .... D21/736

D495,018 S \* 8/2004 Ruffin ..... D21/736  
D518,126 S \* 3/2006 Sloboda ..... D21/738  
D538,365 S \* 3/2007 Torbett ..... D21/744

\* cited by examiner

*Primary Examiner* — Mitchell I Siegel

(74) *Attorney, Agent, or Firm* — Edwards Angell Palmer & Dodge LLP; Kongsik Kim

(57) **CLAIM**

The ornamental design for a golf putter head, as shown and described.

**DESCRIPTION**

FIG. 1 is a perspective view of a golf putter head according to the present invention.

FIG. 2 is a front view of the golf putter head of FIG. 1.

FIG. 3 is a rear view of the golf putter head of FIG. 1.

FIG. 4 is a left side view of the golf putter head of FIG. 1.

FIG. 5 is a right side view of the golf putter head of FIG. 1.

FIG. 6 is a top view of the golf putter head of FIG. 1; and,

FIG. 7 is a bottom view of the golf putter head of FIG. 1.

**1 Claim, 7 Drawing Sheets**

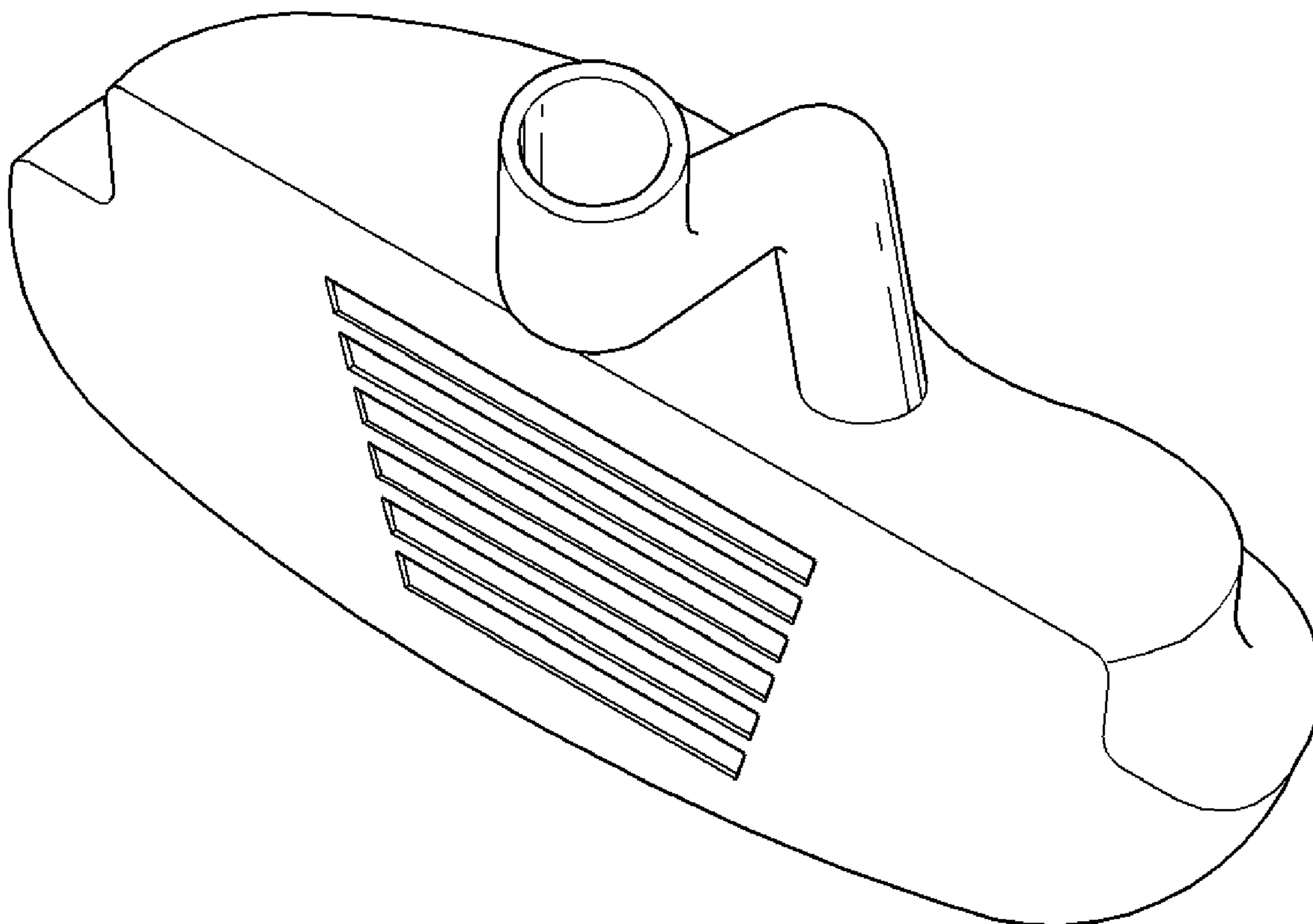


FIG. 1

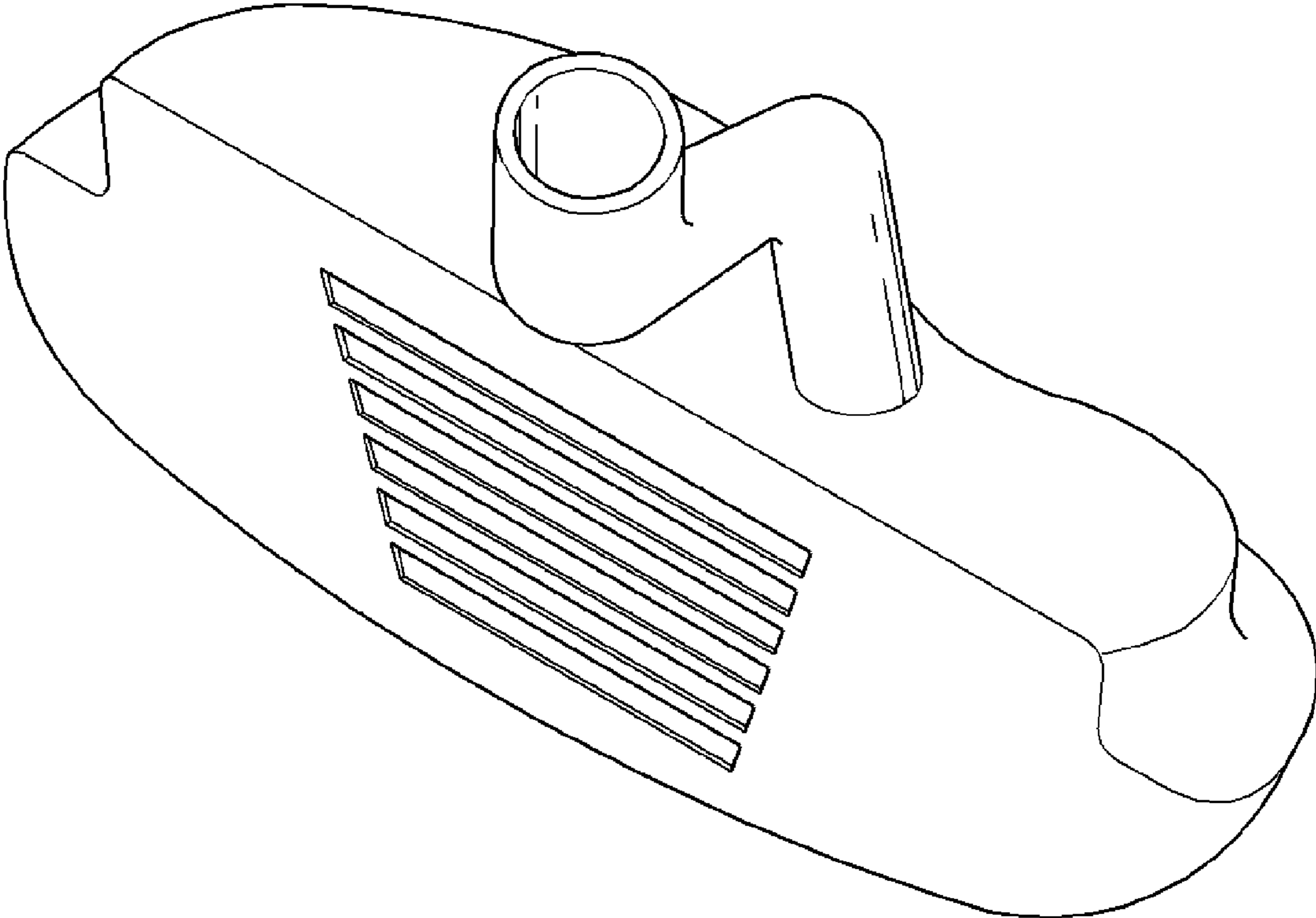


FIG. 2

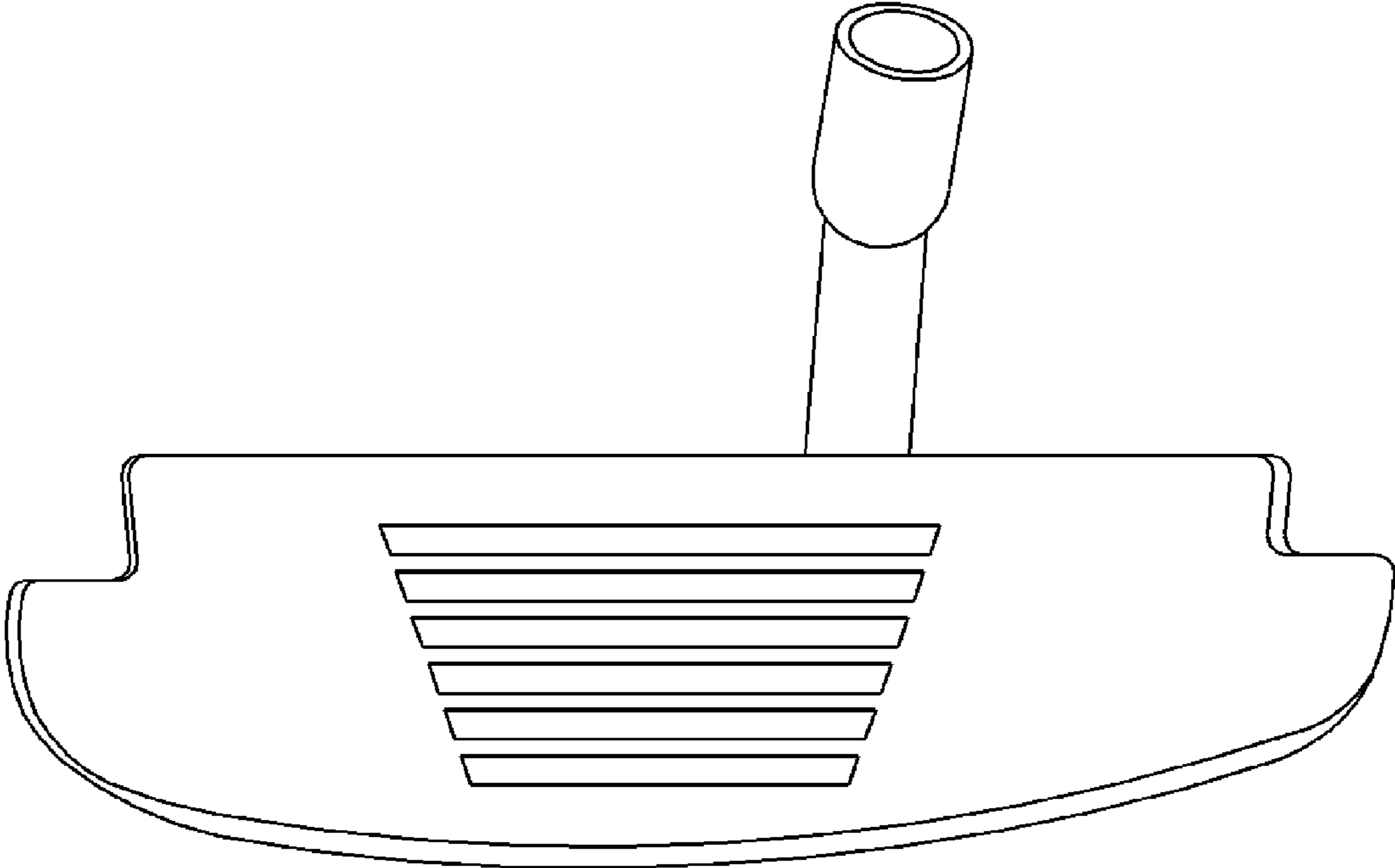


FIG. 3

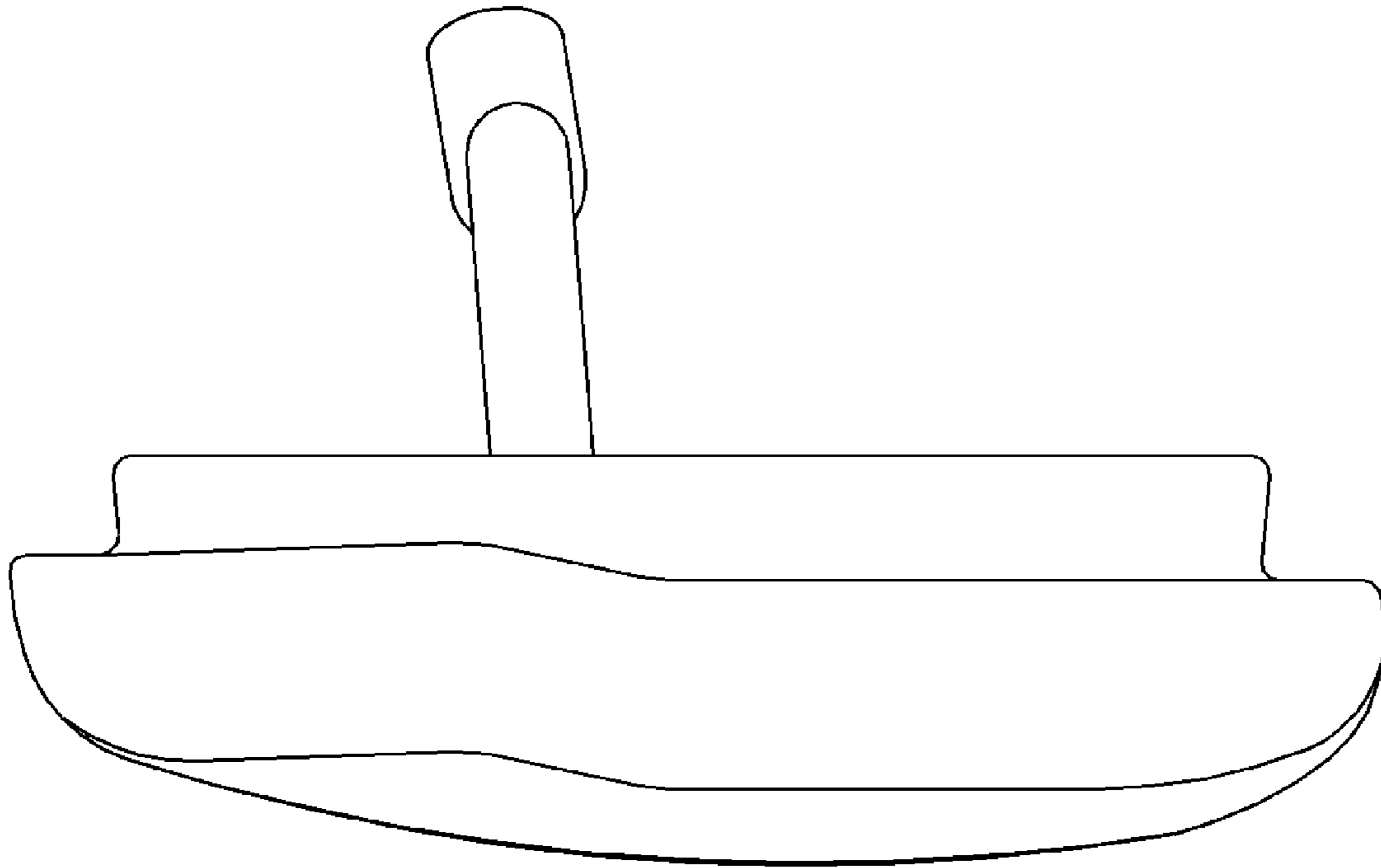


FIG. 4

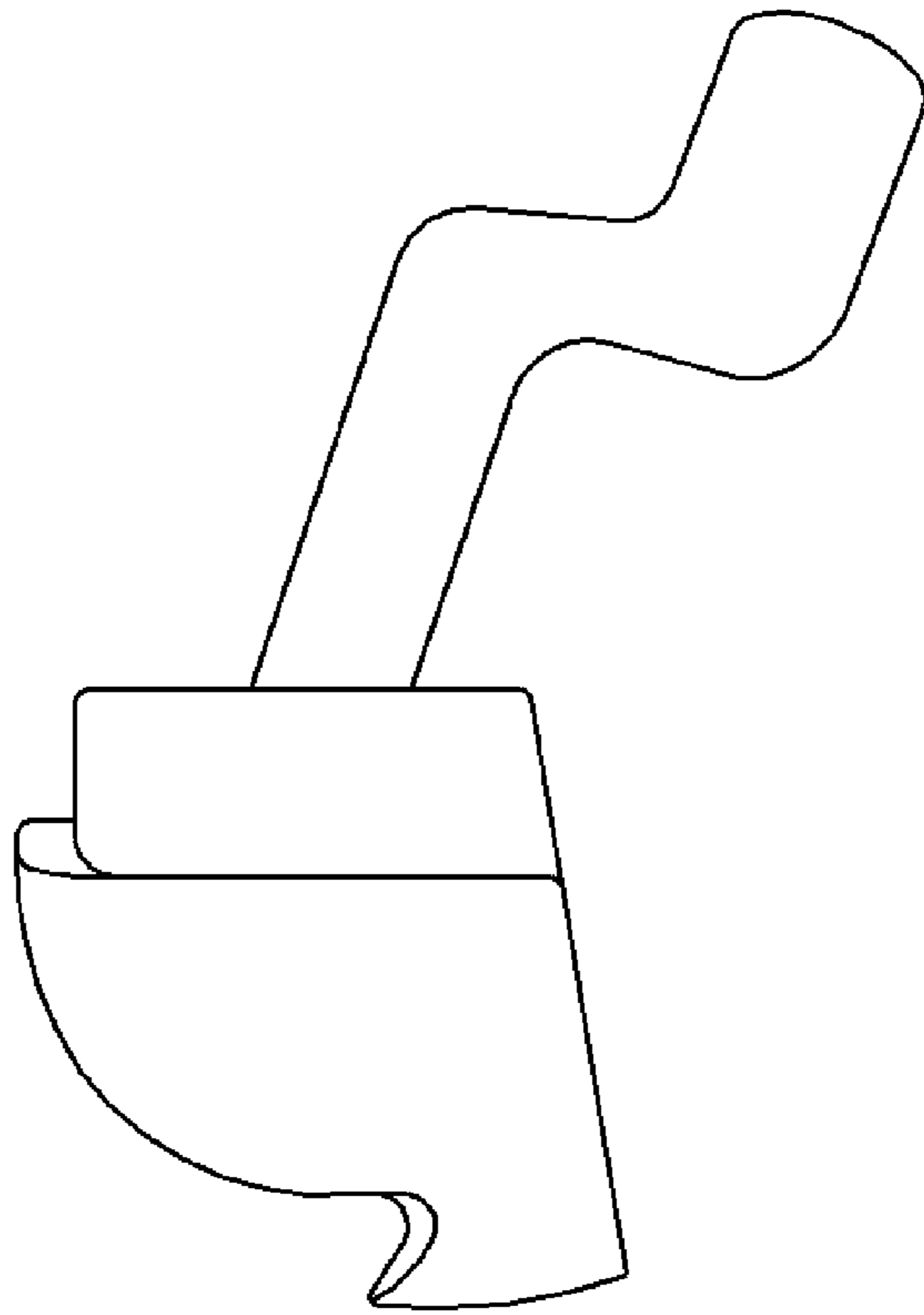


FIG. 5

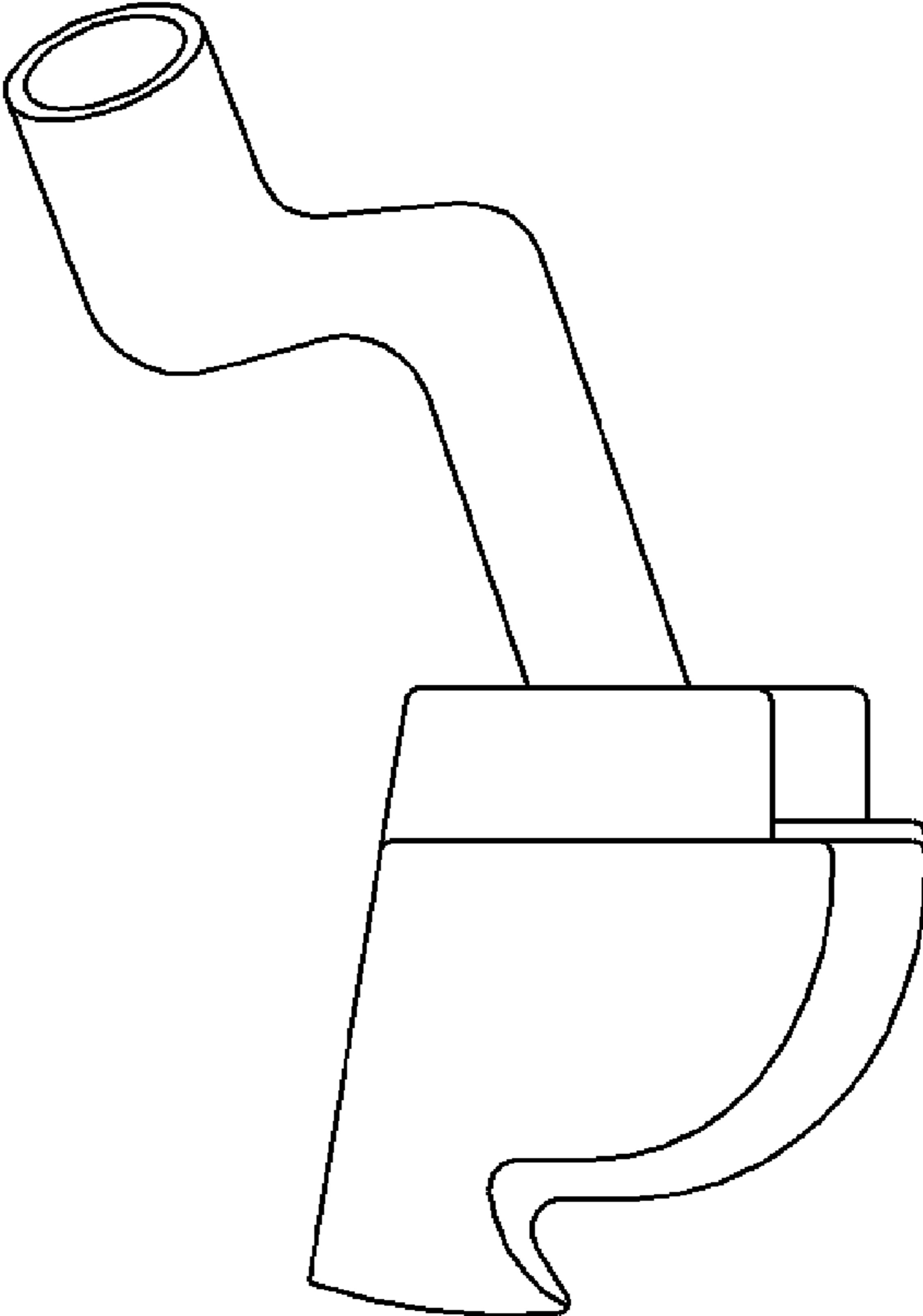
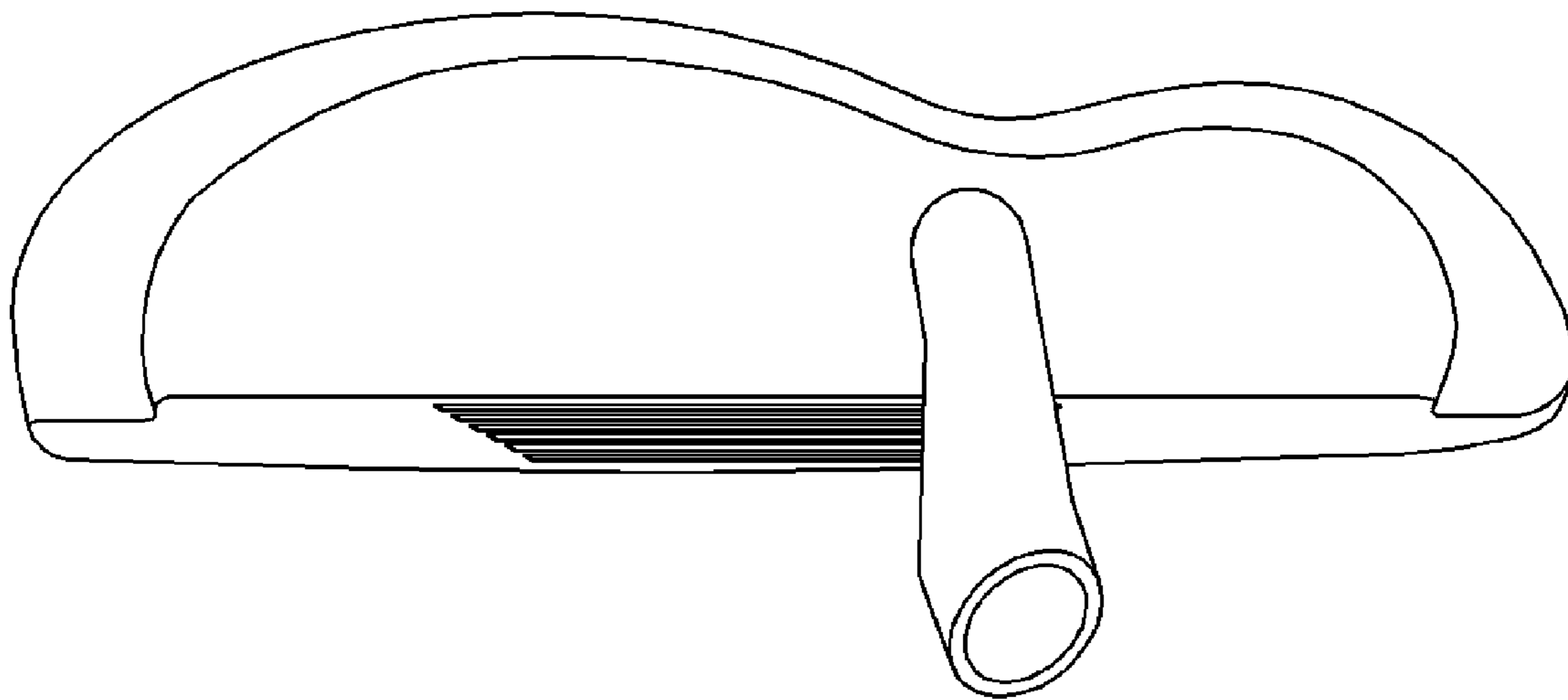


FIG. 6



**FIG. 7**

