



US00D639873S

(12) **United States Design Patent**
Abdo

(10) **Patent No.:** **US D639,873 S**
(45) **Date of Patent:** **** Jun. 14, 2011**

(54) **EXERCISE APPARATUS**
(75) Inventor: **John S. Abdo**, Marina del Rey, CA (US)
(73) Assignee: **Thane International, Inc.**, La Quinta, CA (US)
(**) Term: **14 Years**
(21) Appl. No.: **29/366,192**
(22) Filed: **Jul. 21, 2010**

6,726,608	B1 *	4/2004	Hsu	482/130
6,740,015	B1 *	5/2004	Stearns	482/142
D490,866	S *	6/2004	Powers	D21/676
D490,867	S *	6/2004	Chen	D21/676
D502,230	S *	2/2005	Chen	D21/676
D525,324	S *	7/2006	Siwiec	D21/674
7,086,992	B2 *	8/2006	Bowman et al.	482/51
7,311,645	B1 *	12/2007	Lynch	482/142
7,749,144	B2 *	7/2010	Hammer	482/142

(30) **Foreign Application Priority Data**
Mar. 3, 2010 (JP) 2010-005057
(51) **LOC (9) Cl.** **21-02**
(52) **U.S. Cl.** **D21/676**
(58) **Field of Classification Search** D21/662,
D21/674, 676, 688, 689, 694, 695; 482/51,
482/94, 96, 121, 123, 130, 140, 142
See application file for complete search history.

FOREIGN PATENT DOCUMENTS

AU	330886	5/2010
AU	330914	5/2010
EP	001162127-0001	10/2009
EP	001162127-0002	10/2009

* cited by examiner

Primary Examiner — Susan E Krakower
(74) *Attorney, Agent, or Firm* — Michael Zarrabian, Esq.;
Myers Andras Sherman & Zarrabian LLP

(57) **CLAIM**
The ornamental design for an exercise apparatus, as shown and described.

DESCRIPTION

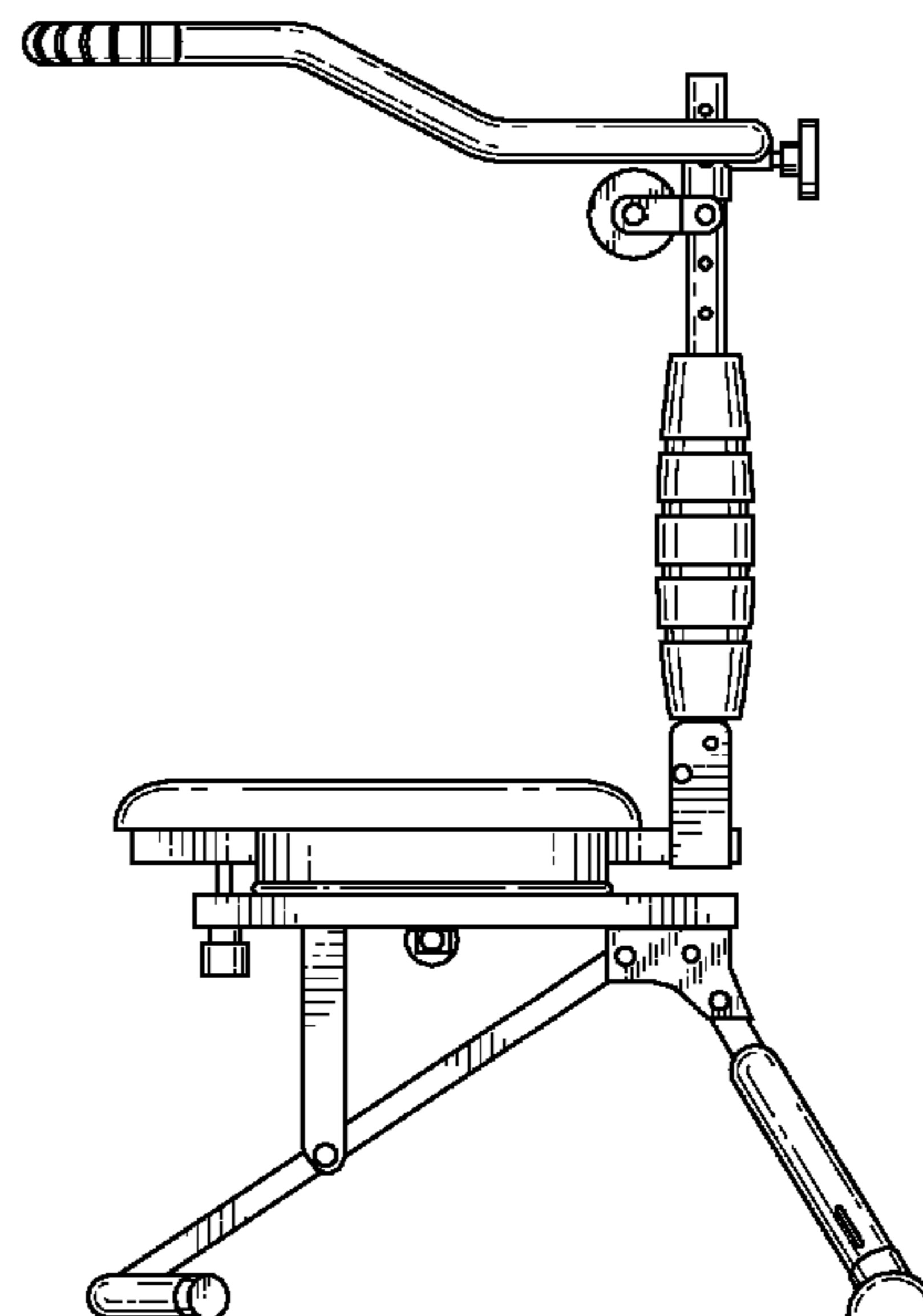
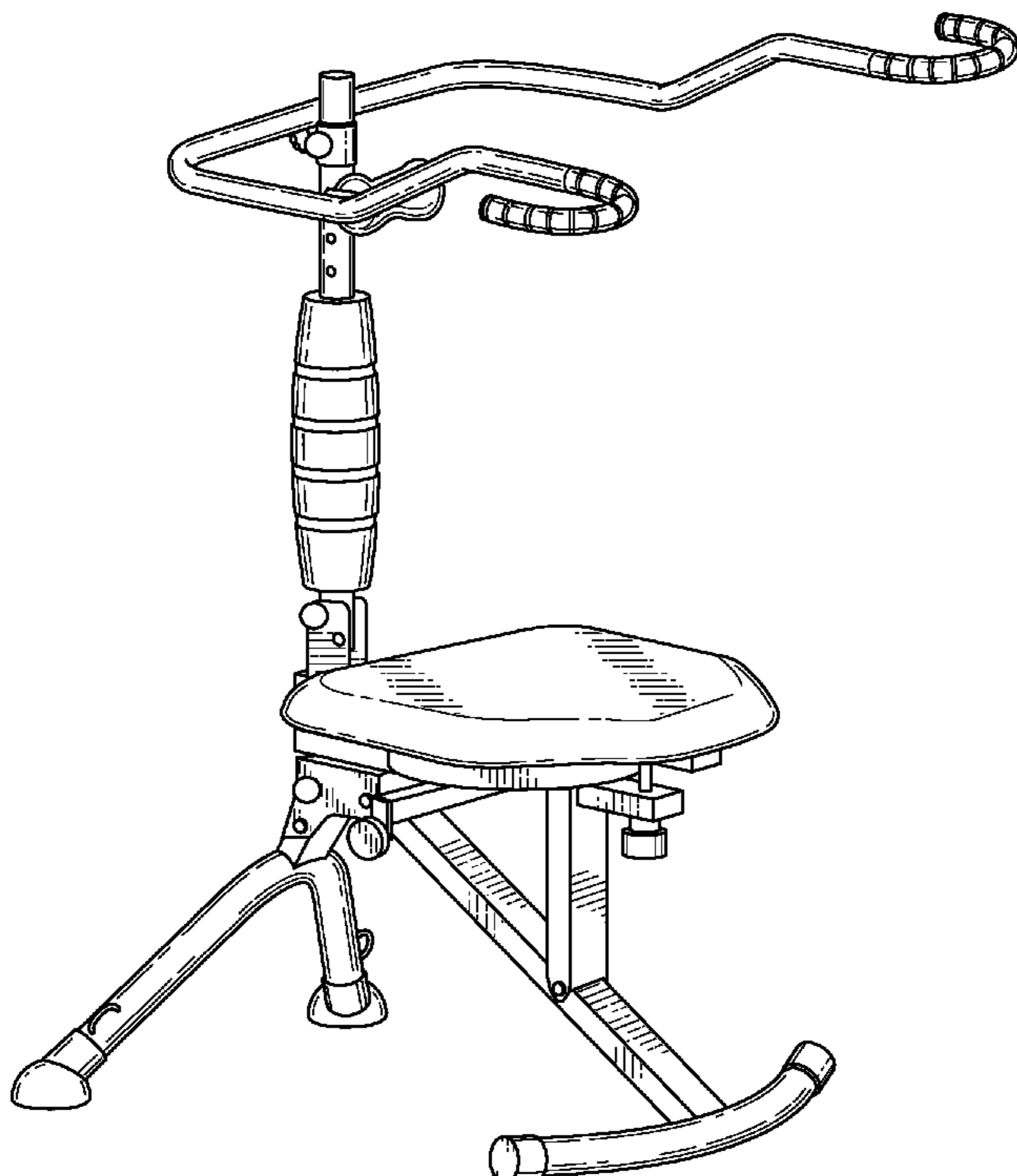
FIG. 1 illustrates a perspective view of the claimed design for an exercise apparatus;
FIG. 2 illustrates a right-side view thereof;
FIG. 3 illustrates a left-side view thereof;
FIG. 4 illustrates a front view thereof;
FIG. 5 illustrates a rear view thereof;
FIG. 6 illustrates a top view thereof; and,
FIG. 7 illustrates a bottom view thereof.

1 Claim, 4 Drawing Sheets

(56) **References Cited**

U.S. PATENT DOCUMENTS

D320,245	S *	9/1991	Fitzpatrick	D21/676
D344,993	S *	3/1994	Laratta	D21/676
D352,752	S *	11/1994	Yang	D21/676
5,487,714	A *	1/1996	Ferrari	482/123
5,690,593	A *	11/1997	Huang	482/96
6,022,303	A	2/2000	Abdo	
6,248,047	B1	6/2001	Abdo	
6,485,398	B1 *	11/2002	Kreft	482/94
6,491,611	B1 *	12/2002	Stearns	482/142



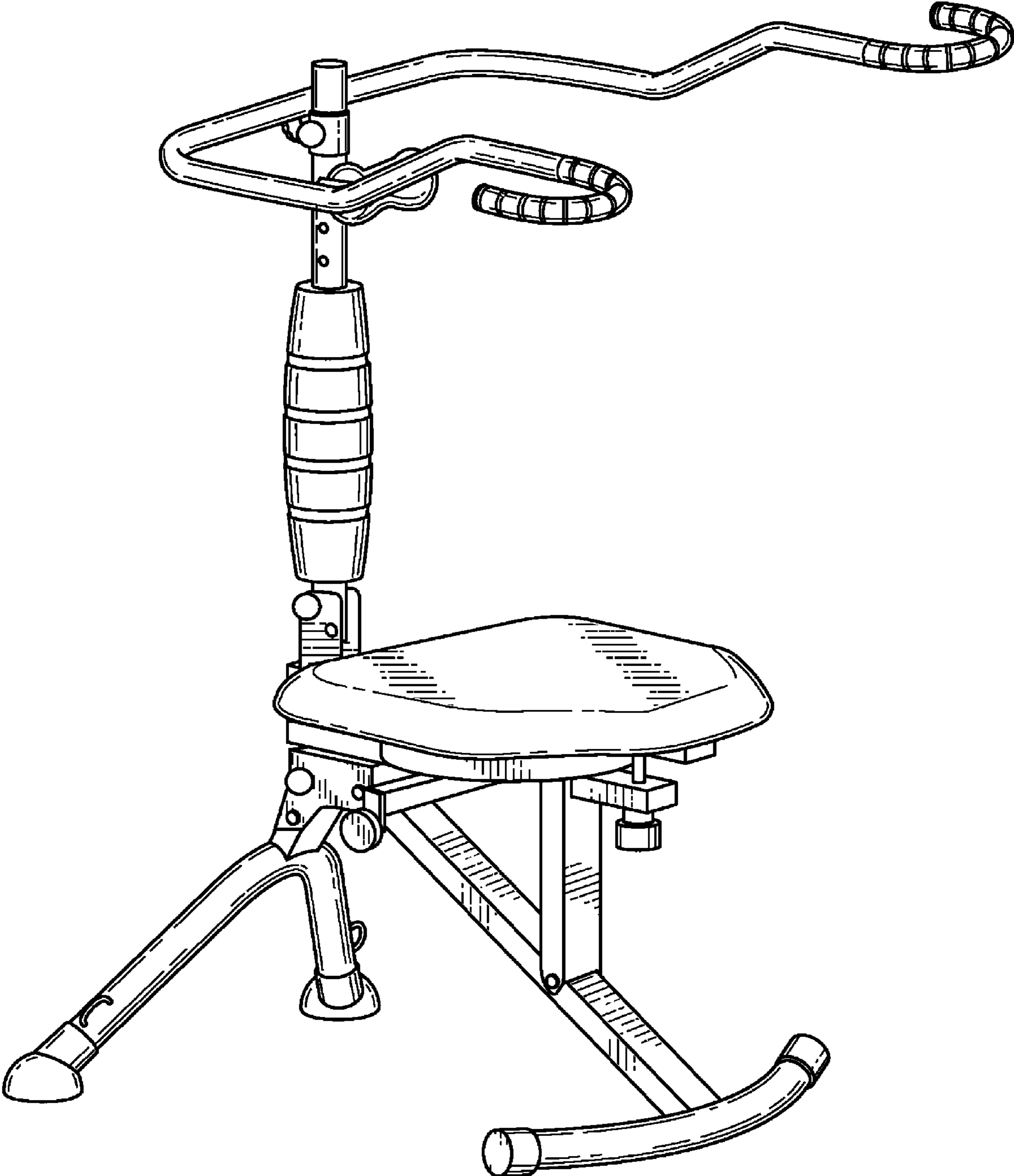


FIG. 1

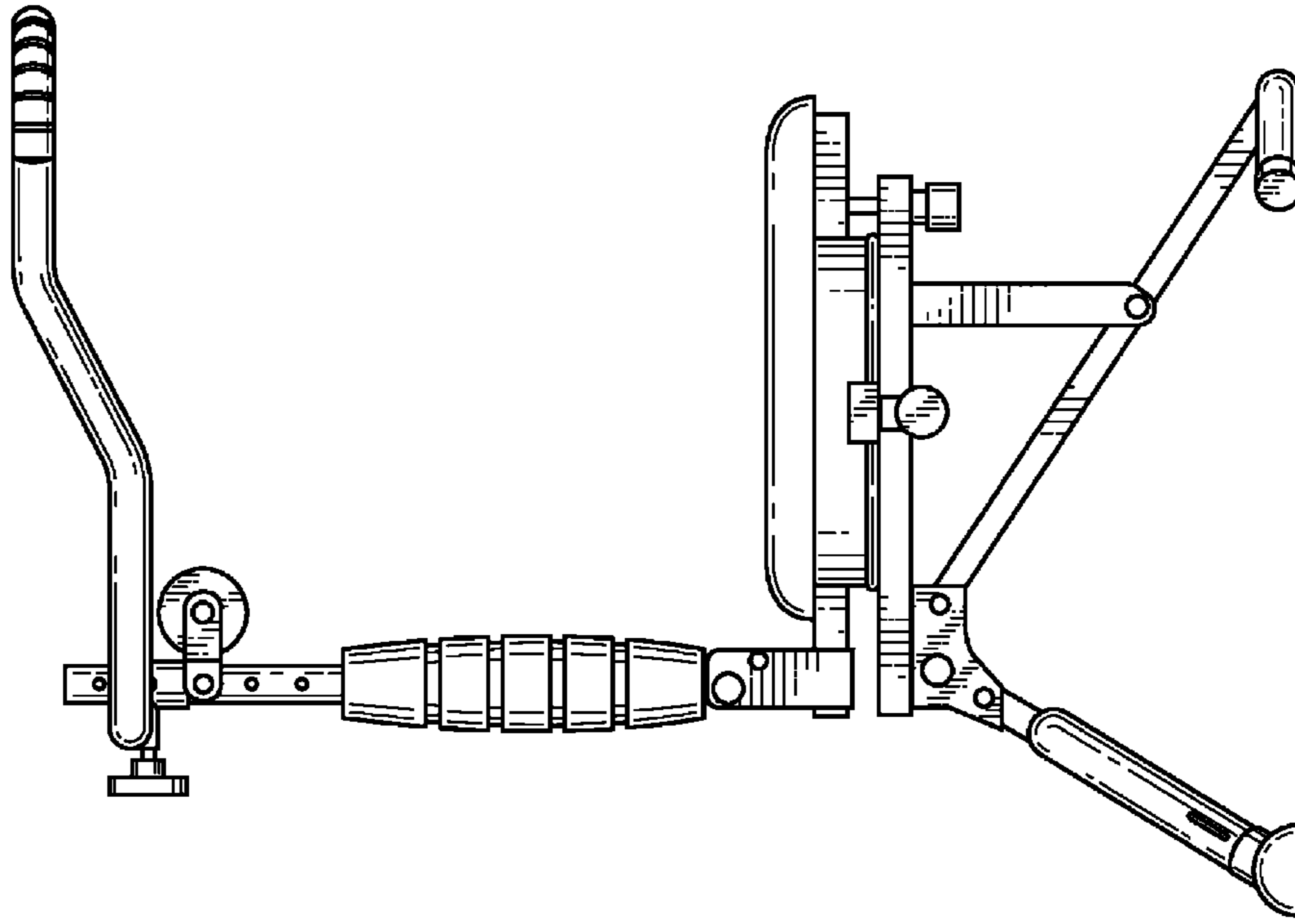


FIG. 3

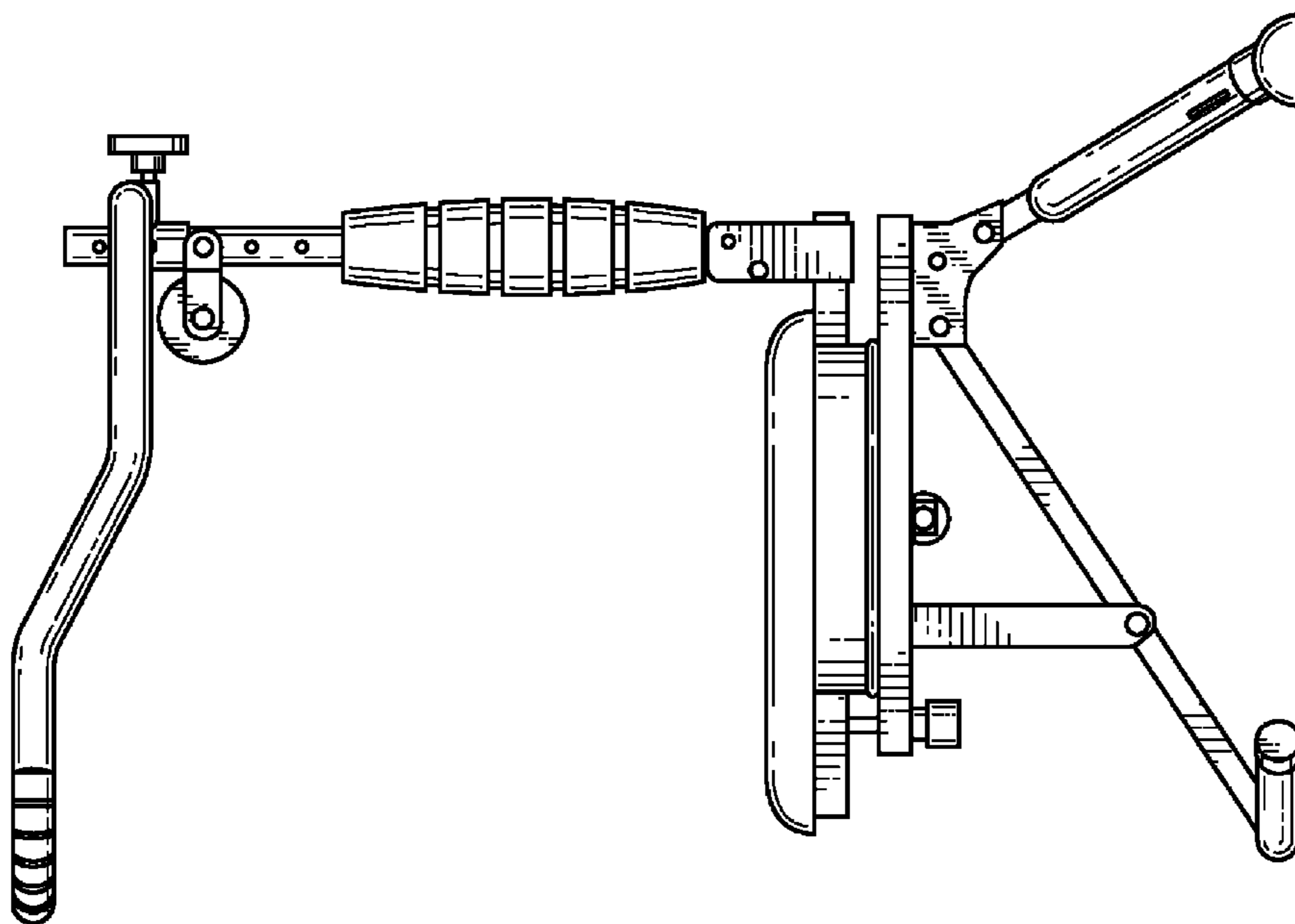


FIG. 2

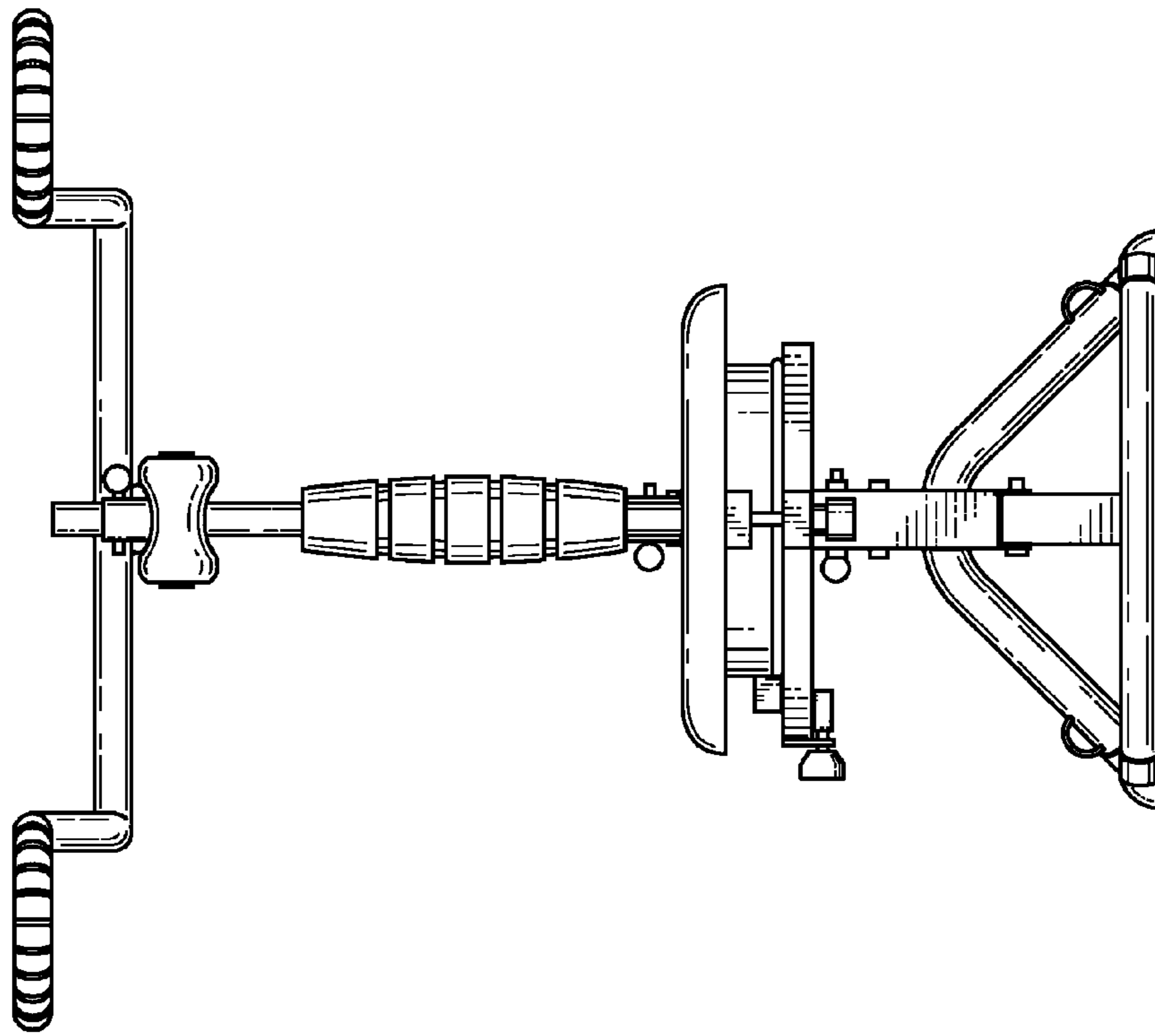


FIG. 5

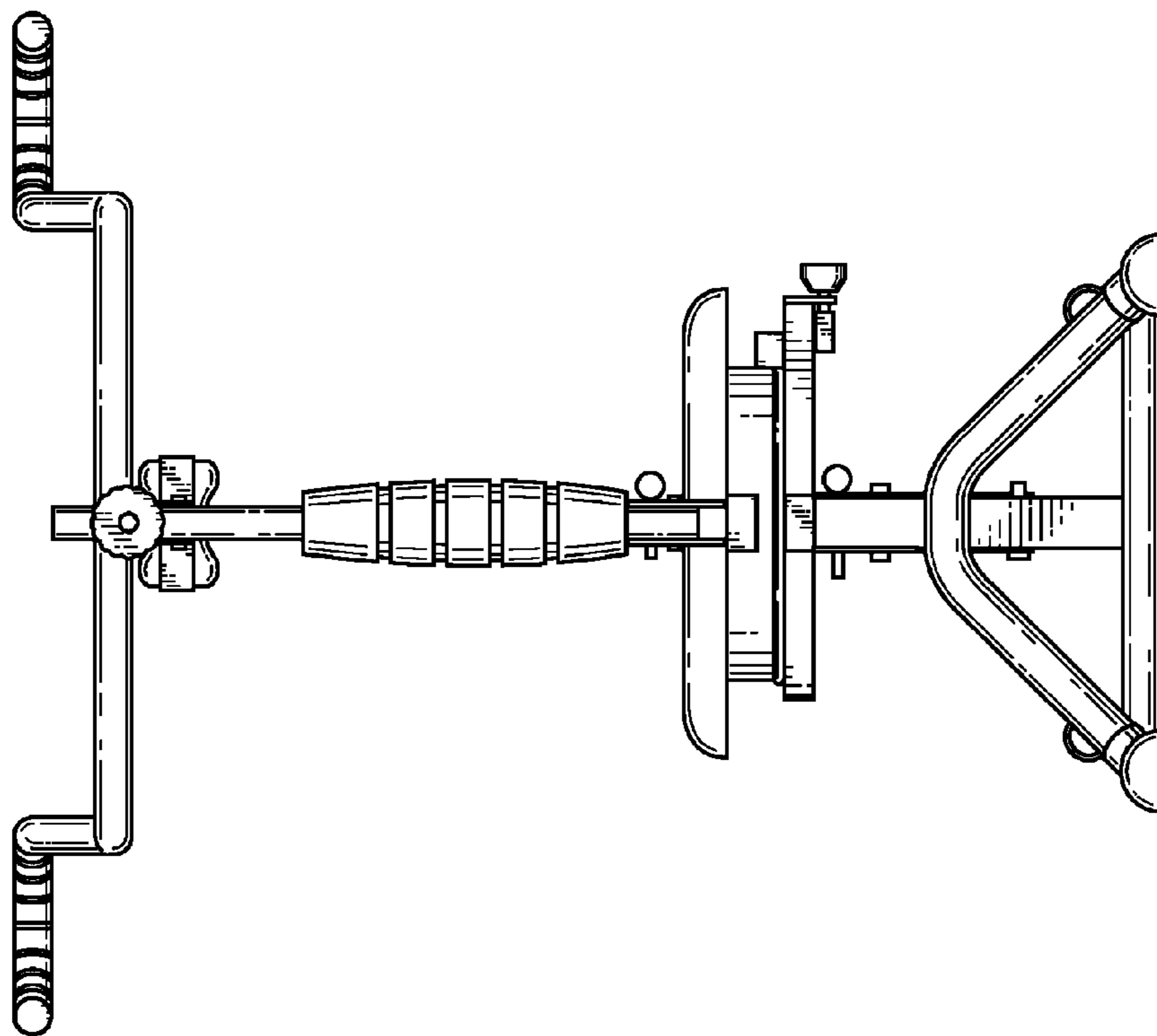


FIG. 4

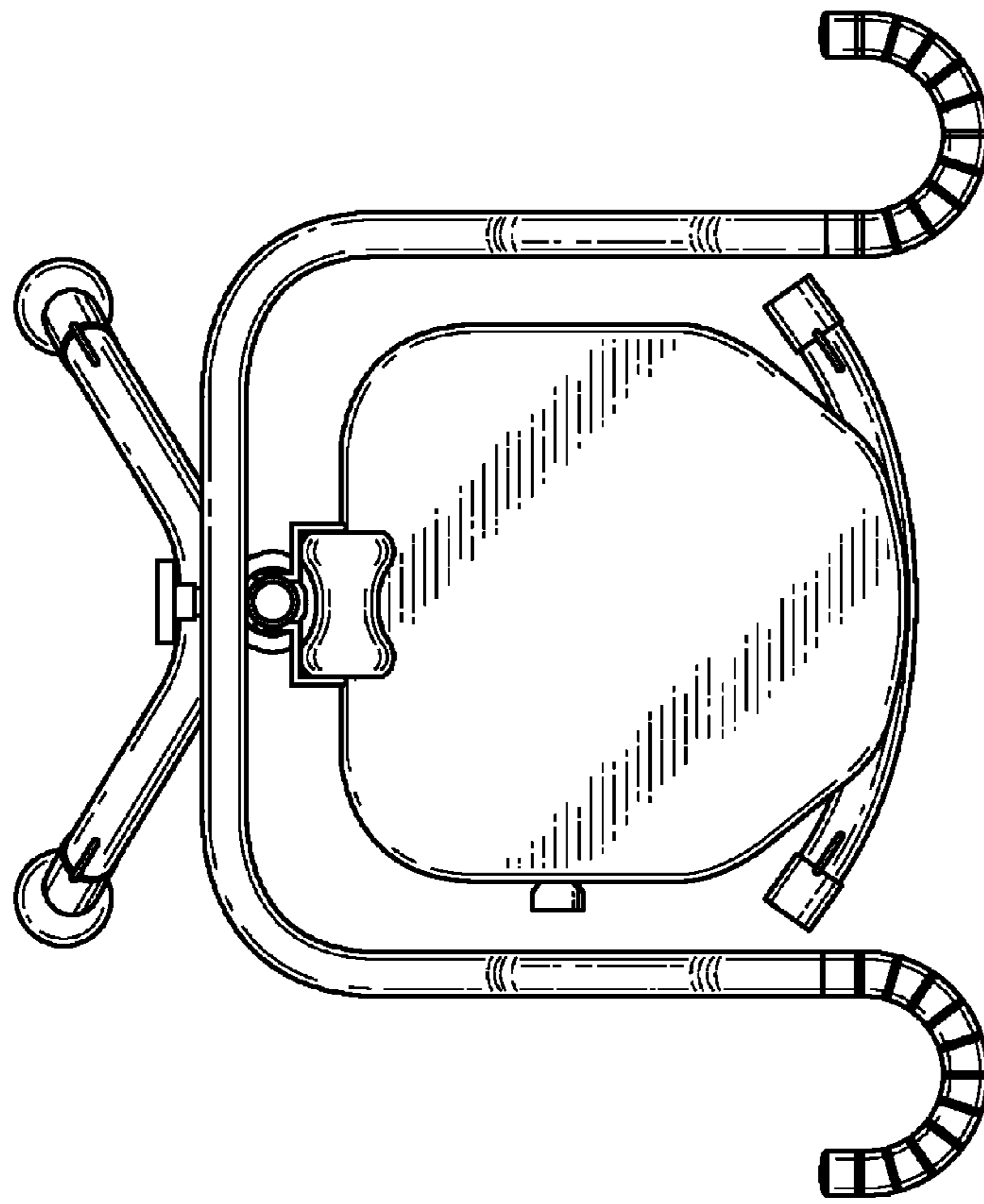


FIG. 6

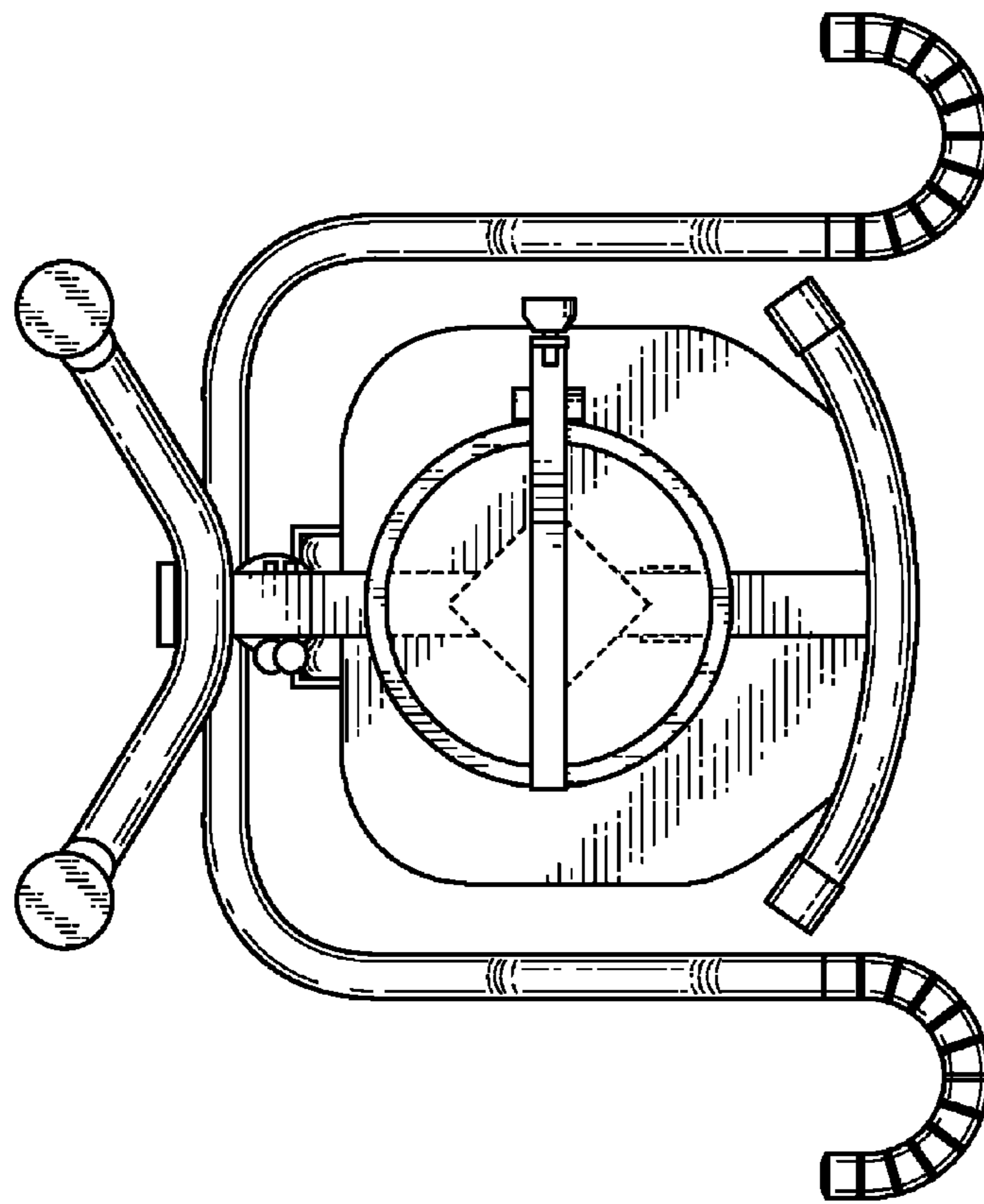


FIG. 7